


















































2024 GENERAL CATALOGUE

cata 
green innovation
















HOODS

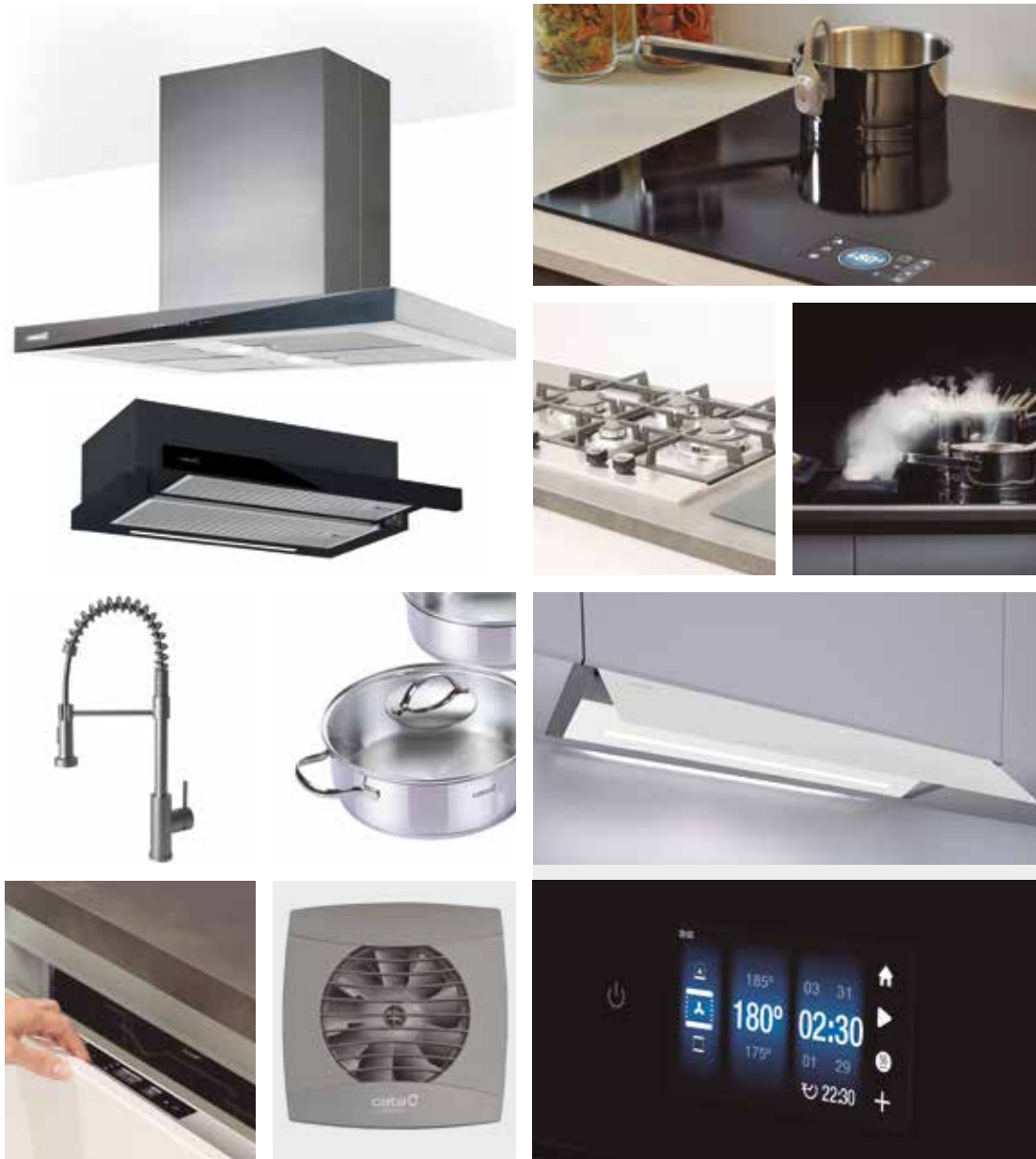
 STRIP LED ADJUSTABLE INTENSITY	 STRIP LED	 TWO-TONE LED STRIP	 ECO LED ADJUSTABLE INTENSITY	 ECO LED	 LED E-14	 LAMP 9W	 TOUCH CONTROL	 ELECTRONIC CONTROL PANEL
 ELECTRONIC CONTROL PANEL DIGITAL DISPLAY	 TOUCH CONTROL DIGITAL DISPLAY	 MECHANICAL CON- TROL PANEL	 CLEANING FILTERS	 DISHWASHER- WASHABLE FILTERS	 PERIMETER ASPIRATION	 1ST SPEED SILENT MODE	 PRODUCT WIDE	 SILENT SPLIT TECHNOLOGY
 DURALUM FINGERPRINT FREE	 REMOT CONTROL	 PRO CONNECTIVITY	 AUTO CONNECTIVITY	 PLUG				

OVENS

 PIROLISIS CLEANING SYSTEM	 FAST PREHEATING	 DEFROSTING	 TOTAL VENTILATED GRILL	 VENTILATED GRILL	 TOTAL GRILL	 GRILL	 TRADITIONAL, FAN-ASSISTED COOKING	 TRADITIONAL COOKING
 UNDERFLOOR ELEMENT	 UPPER RESISTANCE	 VENTILATION	 UNDERFLOOR ELEMENT + CIRCULAR TURBO	 CIRCULAR TURBO	 UPPER RESISTANCE VEN- TILATION	 CIRCULAR TURBO + TRADITIO- NAL COOKING	 PIZZA FUNCTION	 ECO FUNCTION
 INTERIOR LIGHTING	 KEEP WARM	 LOW TEMPERATURE COOKING	 SUITABLE FOR 50cm CABINET	 OVENS 90cm WIDE	 BUILT INTO A 45cm UNIT			

HOBS

 BOOSTER FUNCTION	 SLIDER TOUCH CONTROL	 TOUCH CONTROL	 COOKING AREAS	 SAFETY LOCK	 Ø COOKING AREA	 PRO CONNECTIVITY	 AUTO CONNECTIVITY	 FREE ZONE INDUCTION
 TEMPERATURE CONTROL FUNCTIONS FAST & PRECISE	 COOKING FUNCTIONS	 TIMER	 GAS CUT OFF SAFETY SYSTEM	 CAST IRON GRILLS/BURNERS	 ENAMELLED GRILLS/BURNERS			



KITCHEN ESSENTIALS 2024

cata 
green innovation



The technical characteristics indicated in the catalogue must be verified by the **THE MANUFACTURER**.

Non-contractual photographs.

Cata Electrodomésticos S.L. reserves the right to modify the characteristics of its products without prior notice.

© Design, layout, images and content are the property of **Cata Electrodomésticos S.L.**



CATA, the company	p4-7
HOODS	p8-79
RENOVA PURE AIR	p18-19
SURFACE INTEGRATION	p20-22
DECORATIVE ISLANDS	p23-31
CORNER	p32-33
DECORATIVE HOODS	p34-57
INTEGRATION	p58-63
INSERTS	p64-69
TELESCOPIC	p70-75
CONVENTIONAL	p76-78
KITCHEN EXTRACTION	p78-79
OVENS	p80-101
MICROWAVES	p102-107
HOBS	p108-151
SURFACE INTEGRATION	p114-117
INDUCTION CATA&CAN ROCA	p118-123
INDUCTION	p124-135
VITROCERAMIC	p136-139
GAS	p140-149
KITCHENWARE	p150-151
DISHWASHERS, WASHING MACHINES AND REFRIGERATORS	p152-159
WINE COOLERS	p160-167
SINKS and TAPS	p168-191
TECHNICAL INFORMATION	p192-240



Spanish Company

CATA ELECTRODOMÉSTICOS, S.L., manufacturer of household appliances, founded in Torelló, Spain, in 1947. Since then, we have been pioneers in the domestic extraction business. Our wide product range includes extractors, hoods, hobs, ovens, microwaves, taps, sinks, dishwashers, washing machines, refrigerators, wine coolers and kitchenware.

Our values: Commitment to our customers

The design and development of our products are based on painstaking studies with a clear orientation towards meeting our customers' needs, providing solutions to promote functionality, efficiency, durability and reliability while remaining environmentally friendly. Every detail is important. That is why, in our brand which more than seven decades of history, we have placed, and continue placing, special emphasis on all of them until we obtain the best possible product.



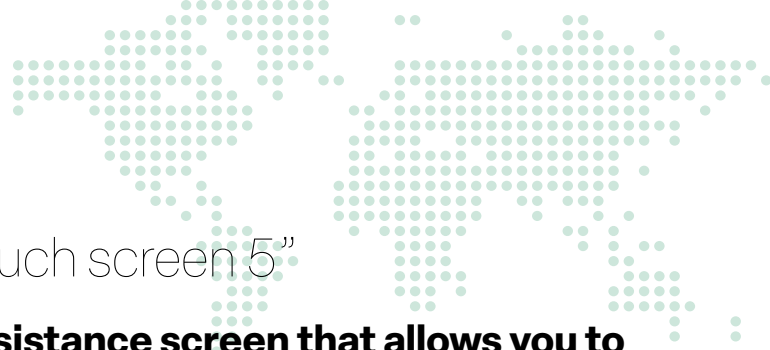
Experience

At **CATA** we are constantly researching. We use top-quality components together with the latest manufacturing techniques to achieve the most technologically advanced products on the market. Our proven experience in the creation, development and manufacturing processes are the pillars on which the high efficiency, quality and reliability of our products is based.

Energy efficiency. Environment

At **CATA** we are committed to the environment and we think that your kitchen can be an example of energy efficiency. We strive; it is an obligation and a goal to be able to offer products that contribute to create a much more sustainable, clean and welcoming world.

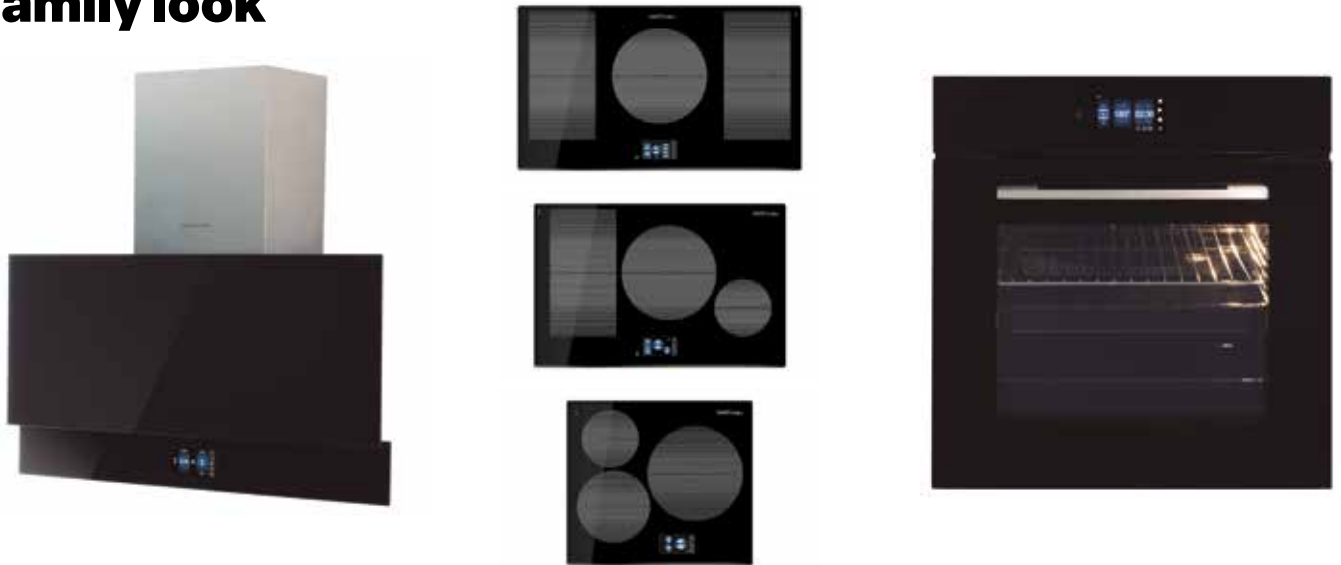
Our low-energy household appliances will collaborate on energy savings, protecting the environment and noticing the economic savings of the use of efficient devices.



PRO family, touch screen 5"

High sensitivity and temperature resistance screen that allows you to perform all the basic control functions in an easy and intuitive way and at the same time gives access to extra functions such as different types of cooking, access to recipes and tables for all types of food.

Family look



All the products have the same appearance and are used in the same way.



Hood

GOYA PRO BK

The touch screen gives quick and easy access to the main controls of the hood as well as allowing many other new features:

Connectivity PRO with the **PRO family** hobs with possibility of remote control from the plate and the **AUTO** mode that regulates the suction power of the hood according to the needs of cooking.

Warning of cleaning of filters and warning of change of Coal Active filters in recirculation to always have an optimal performance of the hood.

Renewal of instantaneous or cyclical air to keep the air fresh in the kitchen without smoke or smells.



Oven

MT 9011 PRO BK

It allows you to perform the basic cooking functions easily and intuitively and, at the same time, it gives access to extra cooking functions, recipes and charts for all types of foods.

Fast heating function, keep warm function, specific function for cooking pizza, and function for low temperature cooking in a stable and accurate way.

Hobs

IDF 9012 PRO BK

IDF 8021 PRO BK

IDB 6003 PRO BK



The tactile control with **5-inch TFT screen** offers intuitive and pleasant handling. It also has a hundred baking tables and recipes that will allow you to access the secrets of **El Celler de Can Roca**.

In addition to the traditional cooking system for power levels, you can choose between two cooking modes for temperature control:

Precise Mode: Direct and precise control through the external Rocook sensor (optional). It allows selecting the temperature between a range of 40°C to 180°C, with an accuracy of up to 1°C.

Fast Mode: Indirect control through the sensor located beneath the crystal. It allows to select the temperature between a range of 40°C to 100°C, with an accuracy of up to 10°C.







HOODS



RENOVA PURE AIR. Excellent air quality.

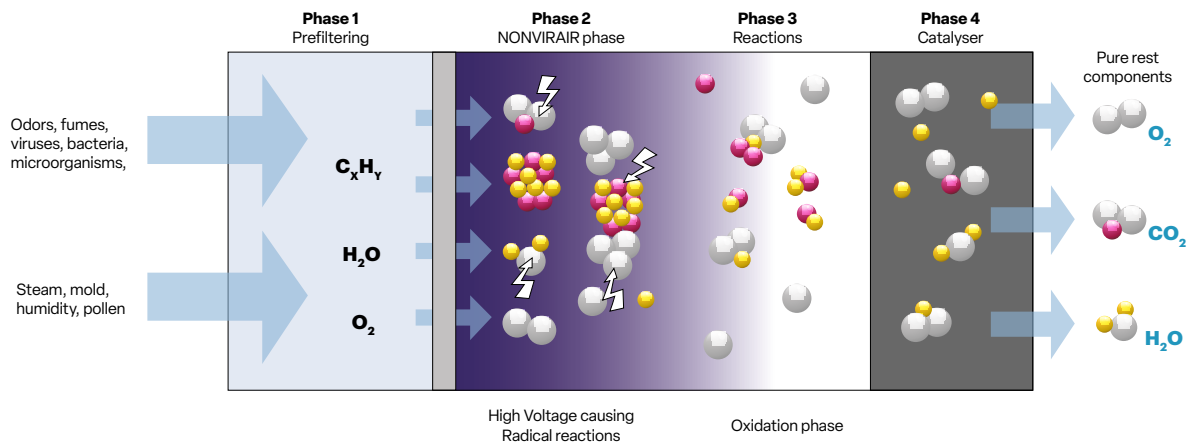
The new Renova Pure Air range guarantees air quality in your home. It goes beyond providing clean air with its advanced odour filtration system; it ensures that the air is free from harmful substances produced by pollution or generated within your own home.

A revolutionary concept of recirculating hoods for your home

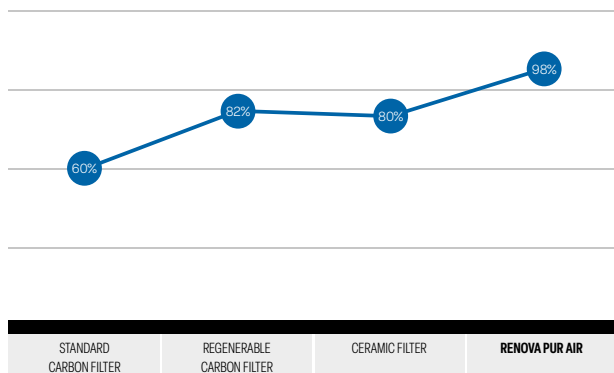


No odours

Its triple filtration system eliminates even the strongest and most persistent kitchen odours with a remarkable 98% efficiency, surpassing the effectiveness of traditional carbon filters or regenerative carbon filters.



Efficiency



Free from harmful substances

Our hoods eliminate 100% of harmful particles generated by cleaning products, dust mites, dust, allergens like pollen or those caused by pets, ensuring clean and substance-free air.



VIRUS & BACTERIAS



POLLEN



PET DANDER



DUST



CHEMICAL
POLLUTANTS VOC



DUST MITES



SMOKE

Maintenance is a breeze

The new Renova Pure Air hoods feature a self-cleaning system, eliminating the need to switch out the carbon filters or replace the costly ceramic filters every 3 years.

This also saves having to wash the carbon filters every 2 months, so there is absolutely nothing you need to do to keep the filters as good as new.

No energy loss

All the energy used for heating or cooling stays within your home. The purified air circulates back to the kitchen, eliminating losses through external ducts to maintain a pleasant temperature year-round. According to a study by the Federal Institute for Research on Building, Urban Affairs and Spatial Development (BBSR, by its German initials), using an externally vented hood for just 30 minutes a day in a cold climate can result in an estimated energy loss of 500 kW.

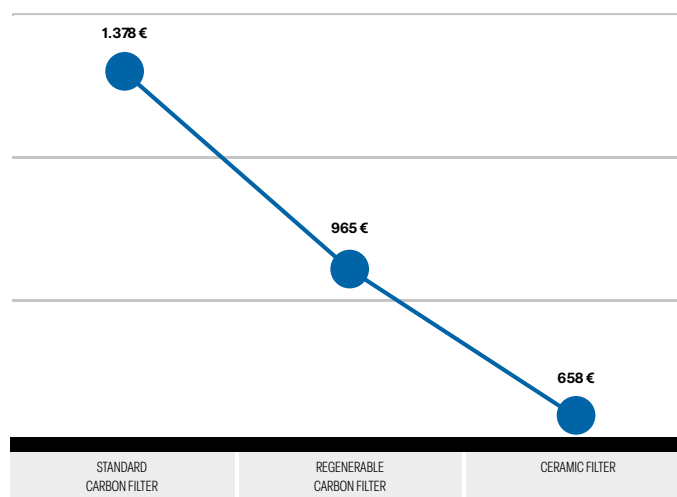
Installation is hassle-free

Design your new kitchen freely, as no external duct or vent is required. Simply plug in the hood to an electrical outlet. By installing a hood in recirculation mode, you can reduce noise and avoid extraction capacity loss due to improper installation or lengthy ducts leading outside.

Enjoy peace of mind

With the Renova Air function, your home's air is purified for 10 minutes every hour, ensuring excellent air quality.

Cleaning and filter replacement costs are minimal based on 60 minutes of daily use over 10 years



Enjoy cooking without worrying about smoke or smells !

Connectivity

For the end user comfort and security CATA offers two types of connectivity between hob and hood:

AUTO connectivity



The hob automatically controls the hood adjusting its suction power to the cooking needs of each moment. Available in the RENOVA AIR range, TENTA with hob INSB 6032 BK/A and INSB 6030 WH.

AUTO 2 connectivity



The AUTO2 cooktop automatically controls the AUTO2 hood by adjusting its suction power to the cooking needs of the moment. Available on models ISLA BENNU SLIM /B and THALASSA PRO range with cooktops INSB 6028BK /A, IB 6403 E2 BK and IB 6324 E2 BK.



Warm and White Natural Lighting



New high-efficiency **two-color** LED STRIPS with the possibility of switching between warm light (2700K) or natural white (4000K) adjustable in intensity to perfectly adapt to the kitchen environment.

Maximum energy efficiency in the market with latest generation BRUSHLESS

the BRUSHLESS A+++ motors offer up to 90% less energy consumption while providing high extraction capacity (842 m³/h), offering a quieter and more durable solution.

A+++

Build-in TENTA

An integrated white glass hood with the **control on the front visor** to be more functional. It has a wide coverage of the cooking area and total protection of the cabinet and it also includes **AUTO** connectivity with the hob and **two-tone** warm / natural lighting.



Ceiling hood BENNU SLIM ISLAND **A+**



A fully flush-mounted hood to fit into the narrowest false ceilings from 17cm. With **AUTO2** connectivity to forget about the remote control and start cooking. It has warm / natural **bi-color lighting** to match the rest of the ceiling lighting.



THALASSA PRO **A+++**

The verticals flagship model is updated with all the best features on the market such as the **842m³/h** BT4DC motor and class **A+++**, the **AUTO** connectivity with the hob, **two-tone** warm / natural adjustable in intensity, pneumatic opening, a collection area for condensation from the filters, easy installation with horizontal leveling.

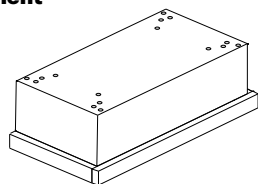
Air purification function. The hood will work automatically for 10 minutes every hour renewing the air in your kitchen.

Renova turbo function. Fast air renewal with 5 minutes interval at MAX speed, and progressively reducing the speed for when you need to quickly and efficiently get rid of bad odors. Available on Thalassa Pro and Thalassa models.

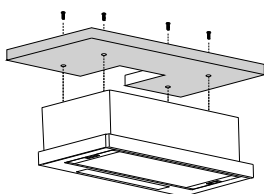
Compact telescopes with universal installation

New range of modern compact **14cm high telescopic built-in hoods** with high efficiency LED STRIPS to choose from the high performance of the **TFH 6830** to the **795m³/h** and **TFH 6630** of **605m³/h** to the **TFH 6430** of **391m³/h**. All of them with **multiple universal and replaceable front installation** options to facilitate replacement and fit in any kitchen.

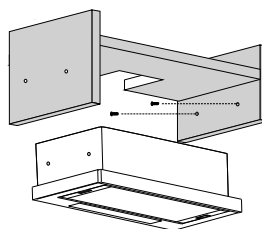
Multiple installation possibilities in a single hood with Universal fixings for replacement



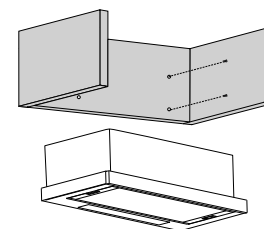
Top shelf fixing



Lateral Fixation



Rear Fixation



Recommendations:

Choose a hood that has a flow rate that can renew the kitchen air between 6 and 10 times per hour (between 12 and 15 times in recirculation).

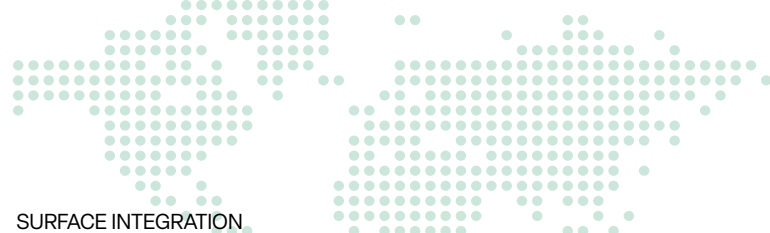
Use the cooking areas closest to the wall and avoid air stream during cooking.

Always connect the hood 5 minutes before starting to cook.

Try to keep the boiling pans covered to improve the performance of the hob and produce less steam.

Once cooking is finished, keep the hood running for a minimum of 5 to 15 minutes depending on the intensity of the smoke and odors generated. It is highly recommended to choose a hood with the automatic disconnect timer function to do it directly.

Keep metal filters in good condition with regular cleaning of them. It is highly recommended to choose a hood with filter cleaning indicator so it is not forgotten.



RENOVA PURE AIR



VNV90 XGBK p18



MNV90 GWH p18

SURFACE INTEGRATION



AS 750 p20



AS 600 p21

DECORATIVE ISLANDS



IAS 770 p22



ISLA MAGRABA p24



ISLA MOON p24



ISLA FARO X p25



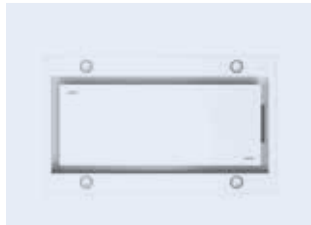
ISLA BENNU SLIM 1200 X p26



ISLA BENNU SLIM 900 X p26



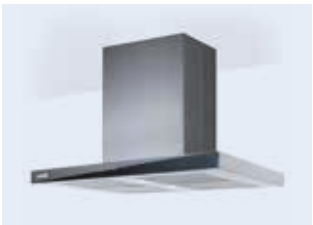
ISLA SIRIN 1000 GWH p27



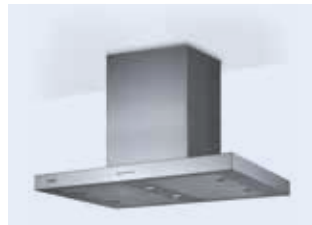
ISLA SIRIN 1000 WH p27



ISLA FENIX 1000 X p28



ISLA LEGEND p28



ISLA SYGMA p29



ISLA GAMMA p29

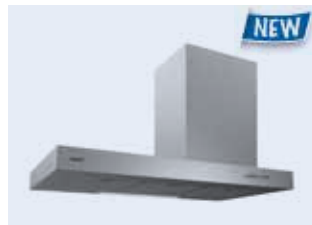


ISLA VEGA p30

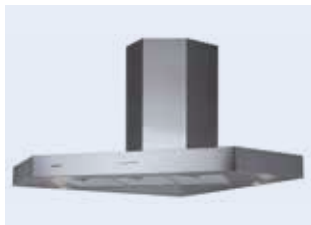
CORNER HOODS



GALA 900 L p32



GALA 900 R p32



ANGOLO BOX p33



ANGOLO p33

cata & Can Rocca DECORATIVE



GOYA PRO BK p36



GOYA BK p37

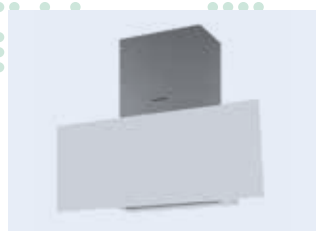


GOYA WH p37



GRECO BK p38

VERTICAL DECORATIVE



GRECO WH p38



GRECO GR p38



THALASSA PRO BK p40-41



THALASSA PRO WH p40-41



THALASSA PRO GR p40-41



THALASSA PRO 1200 p40-41



THALASSA GBK p42



THALASSA GWH p42



JUNO+ GBK p43



JUNO+ GWH p43



JUNO GBK p44



HESTIA GBK p44



WANDA XGBK p45



WANDA XGWH p45



LENA XGBK p46



LENA XGWH p46

BOX



LEGEND XGBK p47



LEGEND X p47



NEW

SYGMA 12010 p48



NEW

SYGMA X p48



NEW

SYGMA BK p49

CURVED GLASS



NEW

SPLUS X p49



ST-9000 X p49



NEW

SK 6000X p50



NEW

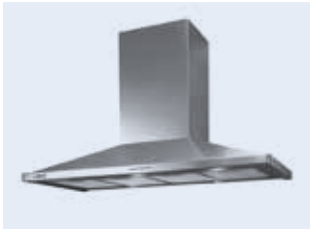
CK X p50



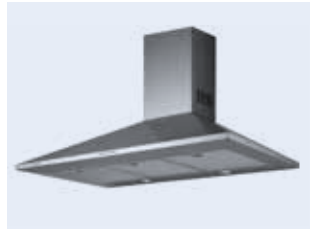
CG5-T900/600 X p51



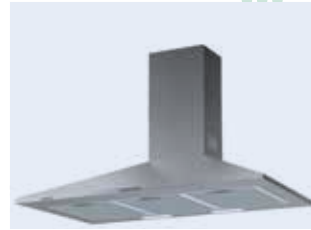
CHIMNEY



BETA 1200 p52



BETA p52



OMEGA p53



OMEGA BK p54



OMEGA WH p54



V500 X p54



VK X/BK/WH p55



V3 TX p55

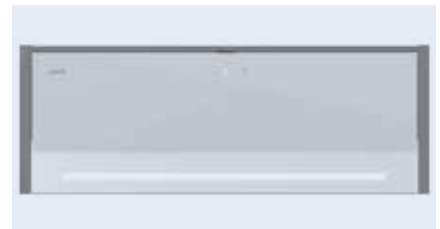


Q BK p56



CHORUS XBK p56

BUILT-IN HOODS



TENTA p58-59

BUILT-IN HOODS



CORONA p60-61



ARMONIA p62-63

INSERTS



GC DUAL A WH p64-65



GC DUAL A BK p64-65



GCX SD p66



GPL X p66



GL X p67



GT PLUS X p67



GT PLUS BK / WH p67



GCB X p68



G50 LUX p68

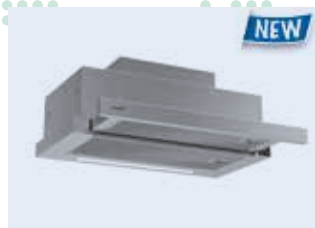


G45 X / WH p69



GK 4500 X / WH p69

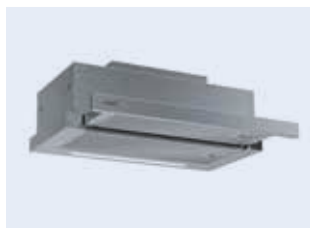
TELESCOPIC



TFH 6830 X p70



TFH 6830 GBK/GWH p70



TFH 6630 X p70



TFH 6630 BK p70



TFH 6630 WH p70



TFH 6430 X p72



TFH 6430 BK p72



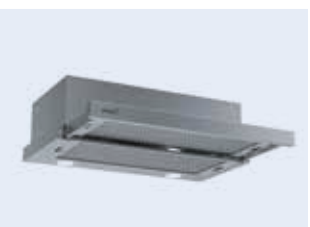
TFH 6430 WH p72



TF 2003 600 GBK p72



TF 2003 600 GBK p72



EXTENDER p73



TF 2003 DURALUM p73



TF 5260 X p74



TF 5260 WH p74



TFB X p74



TFB BK p74



TFB WH p74

CONVENTIONAL



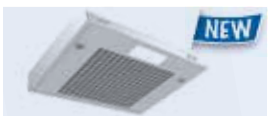
TF X/WH p75



TFK 6005 X/WH p75



S BOX p75

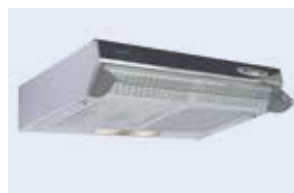


LFK 6000 X/WH p76



F X/WH p77

KITCHEN EXTRACTION



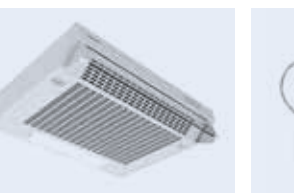
F 2290 X p77



FK SLIM X p78



FK SLIM BK p78



FK SLIM WH p78



PROF 750/750L p78



PROF 500 p78



600 PLUS 2V p79



GS 600 p79



GS 600 BK p79



GS 400M p79



GS 400P p79



RENOVA **PURE AIR**

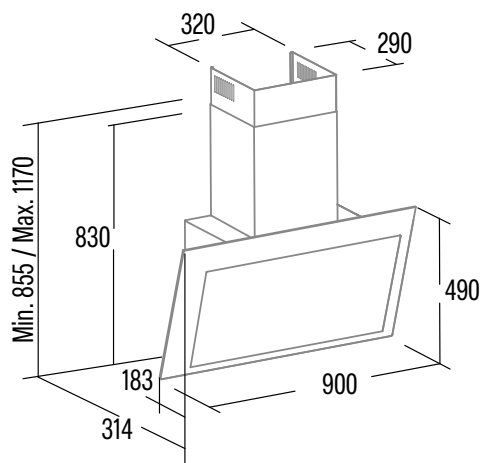
DECORATIVES



VNV90 XGBK
Cod. **02159420** EAN **8422248343077**



- **Recirculation hood with integrated air purifier.** Eliminates odors with an efficiency of 98% and purifies 100% of dust, bacteria, viruses and volatile organic compounds.
- Touch Control Panel with digital display, automatic shut-down timer and cleaning filters indicator.
- 6 extraction levels, 5 + **1 TURBO**
- Motor maximum airflow free outlet: 1400m³/h
- **Air purification function**
- Brushless motor. Sound power: **46dB(A)**, maximum: 64dB(A)
- High-efficiency lighting by intensity-adjustable two-tone warm / natural LED STRIP
- **AUTO connectivity with automatic control from the CATA AUTO hob**
- **Maintenance-free self-regeneratable carbon filter**
- **Non-condensation filter and Filter condensation collection area**
- Easy-to-install system
- Dishwasher-washable filters
- Black glass finishing
- Max. Pressure: 357 Pa
- **Energy Class: A+++**



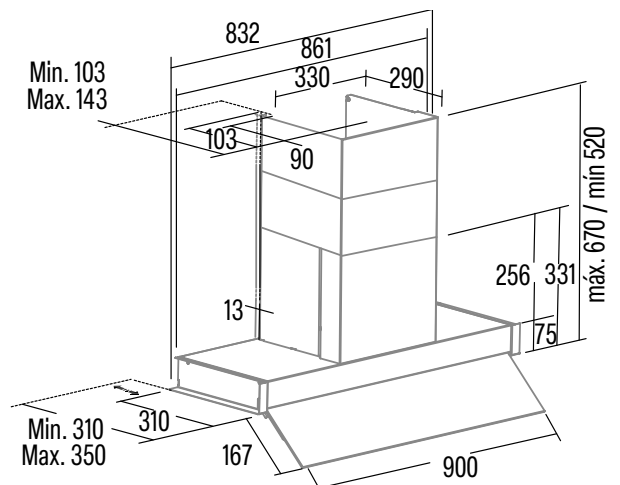
INTEGRATIONHOODS



MNV90 GWH
Cod. **02189020** EAN **8422248344692**



- **Recirculation hood with integrated air purifier.** Eliminates odors with an efficiency of 98% and purifies 100% of dust, bacteria, viruses and volatile organic compounds.
- Touch Control Panel with digital display, automatic shut-down timer and cleaning filters indicator.
- 6 extraction levels, 5 + **1 TURBO**
- Motor maximum airflow free outlet: 1400m³/h
- Air purification function
- Brushless motor. Sound power: **46dB(A)**, maximum: 64dB(A)
- High-efficiency lighting by intensity-adjustable two-tone warm / natural LED STRIP
- **AUTO connectivity with automatic control from the CATA AUTO hob**
- **Maintenance-free self-regeneratable carbon filter**
- **Glass visor furniture protection and opening for intensive use**
- Easy-to-install system
- Dishwasher-washable filters
- White glass finishing
- Max. Pressure: 357 Pa
- **Energy Class: A+**

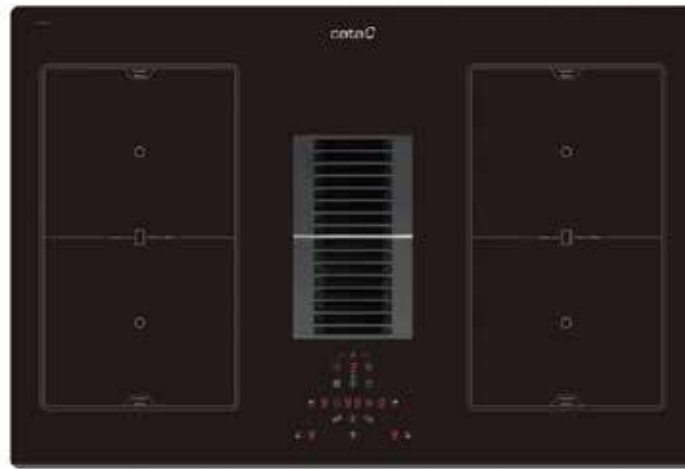


RENOVA PURE AIR





INDUCTION & SURFACE COOKER HOOD



AS 750

Cod. **08000405** EAN **8422248109406**



BRUSHLESS motor

Flex Zone Induction



- **Touch Control Panel** with timer and cleaning filters indicator
- 6 extraction levels, 5 + 1 **TURBO** and **AUTO** function
- Extraction power (according to UNE/EN 61591): **580m³/h** - 200m³/h
- **Sound power (Reg.(EU) n°65/2014): 45dB(A)**, maximum: 64dB(A)
- Maximum air flow (free outlet): **950m³/h**
- BRUSHLESS motor. Ultra silent. Maximum energy consumption **135W**
- Airflow speed: 10 m/s
- Easy-to-install system
- Dishwasher-washable filters
- Max. Pressure: 357 Pa - TURBO Pressure: 365 Pa
- 150 mm outlet diameter
- **Energy Class: A+**

Accessories (not included)

Plinth recirculating Kit AS750	Cod. 02800939 / EAN 8422248080330
Rectangular duct kit	Cod. 02800992 / EAN 8422248112765

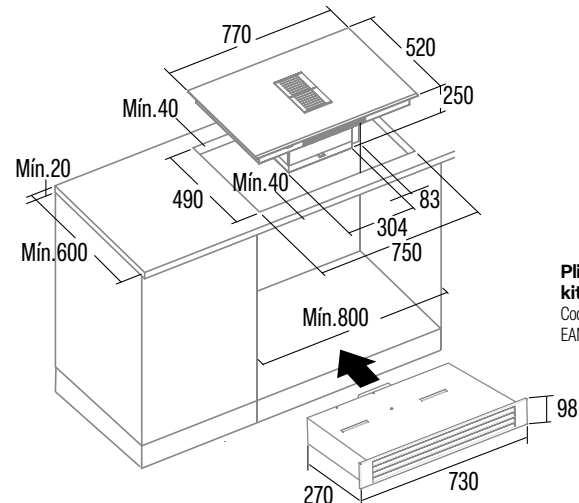
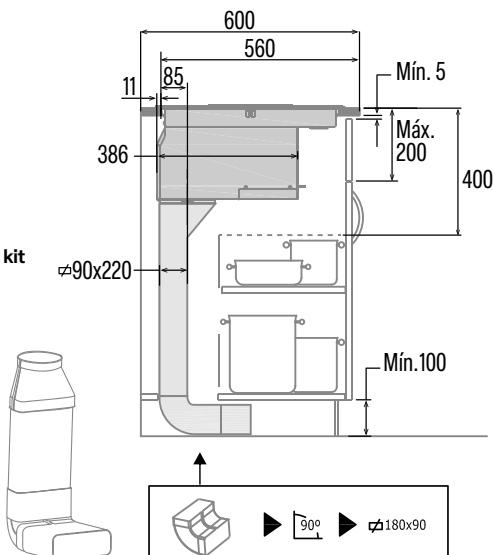
- **4 cooking areas:**
 Front Right: 1 area **with Booster function** of 215mm x 190mm of 1.6 kW (max. 1.85kW)
 Rear Right: 1 area **with Booster function** of 215mm x 190mm of 2.1 kW (max. 3kW)
 Front Left: 1 area **with Booster function** of 215mm x 190mm of 1.6 kW (max. 1.85kW)
 Rear Left: 1 area **with Booster function** of 215mm x 190mm of 2.1 kW (max. 3kW)
- **2 modular double areas** measuring 215mm x 380mm of 3.7kW
- **Touch Control** with acoustic warning
- 9 adjustable power levels + **Booster**
- Timer function for each area
- Countdown alarm
- Automatic pan detection
- Safety lock
- Residual heat indicator
- Automatic safety switch-off
- **Frontal bevel**
- **77 cm wide**
- **Total power (induction + extraction) 7.53kW**

Accessories (not included)

Barbecue grill	Cod. 03017400 / EAN 8422248082563
----------------------	-----------------------------------

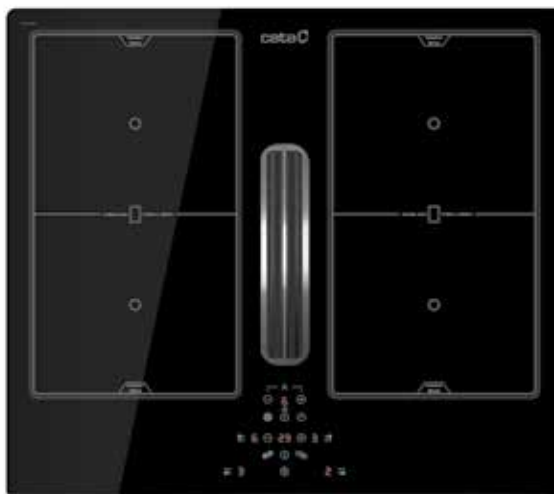


Rectangular duct kit
Cod. 02800992
EAN 8422248112765



Plinth recirculating kit AS750
Cod. 02800939
EAN 8422248080330

INDUCTION & SURFACE COOKER HOOD



AS 600

Cod. 08000406 EAN 8422248198554

NEW



BRUSHLESS motor

Flex Zone Induction



- **Touch Control Panel** with timer and cleaning filters indicator
- 6 extraction levels, 5 + 1 **TURBO and AUTO function**
- Extraction power (according to UNE/EN 61591): **531m³/h** - 246m³/h
- **Sound power (Reg.(EU) n°65/2014): 45dB(A)**, maximum: 64dB(A)
- Maximum air flow (free outlet): **950m³/h**
- BRUSHLESS motor. Ultra silent. Maximum energy consumption **135W**
- Airflow speed: 10 m/s
- Easy-to-install system
- Dishwasher-washable filters
- Max. Pressure: 357 Pa - TURBO Pressure: 365 Pa
- 150 mm outlet diameter
- **Energy Class: A+**

Accessories (not included)

Plinth recirculating Kit AS600 Cod. 02801000 / EAN 8422248355339
 Rectangular duct kit Cod. 02800992 / EAN 8422248112765

- **4 cooking areas:**
 Front Right: 1 area **with Booster function** of 215mm x 190mm of 1.6 kW (max. 1.85kW)
 Rear Right: 1 area **with Booster function** of 215mm x 190mm of 2.1 kW (max. 3kW)
 Front Left: 1 area **with Booster function** of 215mm x 190mm of 1.6 kW (max. 1.85kW)
 Rear Left: 1 area **with Booster function** of 215mm x 190mm of 2.1 kW (max. 3kW)
- **2 modular double areas** measuring 215mm x 380mm of 3.7kW

- **Touch Control** with acoustic warning
- 9 adjustable power levels + Booster
- Timer function for each area
- Countdown alarm
- Automatic pan detection
- Safety lock
- Residual heat indicator
- Automatic safety switch-off

- **Frontal bevel**
- **59 cm wide**
- **Total power (induction + extraction) 7.53kW**

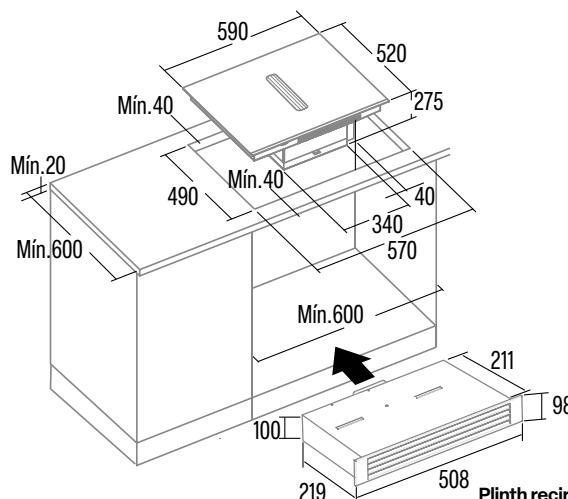
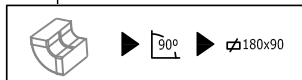
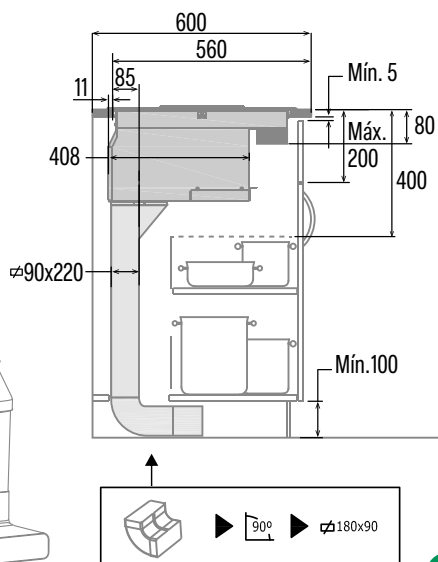
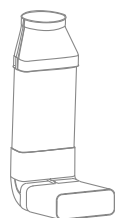
Accessories (not included)

Barbecue grill Cod. 03017400 / EAN 8422248082563



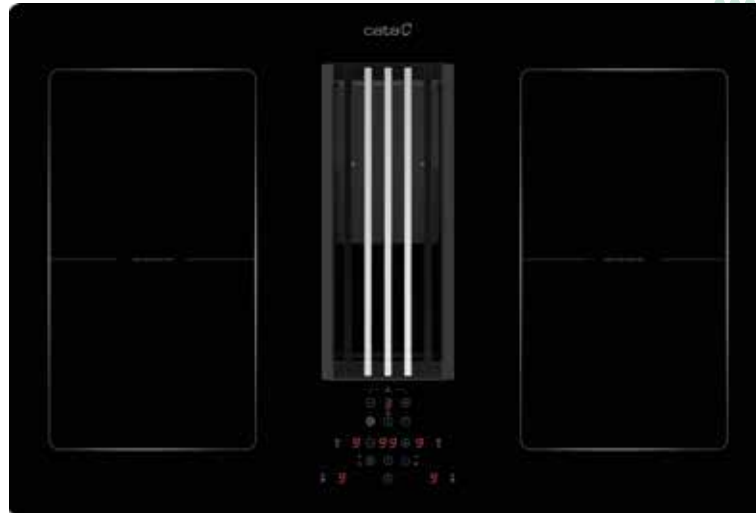
Rectangular duct kit

Cod. 02800992
 EAN 8422248112765



Plinth recirculating kit AS600
 Cod. 02801000
 EAN 8422248355339

INDUCTION & SURFACE COOKER HOOD



IAS 770

Cod. **08000403** EAN **8422248102568**



- **Touch Control Panel** with timer and cleaning filters indicator
- 5 extraction levels, 4+ **1 TURBO**
- Extraction power (according to UNE/EN 61591): **600m³/h** - 140m³/h
- **Sound power (Reg.(EU) n°65/2014): 40dB(A)**, maximum: 64dB(A)
- Maximum air flow (free outlet): **950m³/h**
- BRUSHLESS motor. Ultra silent. Maximum energy consumption **135W**
- Airflow speed: 10 m/s
- Easy-to-install system
- Dishwasher-washable filters
- Max. Pressure: 357 Pa - TURBO Pressure: 365 Pa
- 150 mm outlet diameter
- **Energy Class: A**

- **4 cooking areas:**
 - Front Right: 1 area **with Booster function** of 215mm x 190mm of 1.6 kW (max. 1.85kW)
 - Rear Right: 1 area **with Booster function** of 215mm x 190mm of 2.1 kW (max. 3kW)
 - Front Left: 1 area **with Booster function** of 215mm x 190mm of 1.6 kW (max. 1.85kW)
 - Rear Left: 1 area **with Booster function** of 215mm x 190mm of 2.1 kW (max. 3kW)
- **2 modular double areas** measuring 215mm x 380mm of 3.7kW

- **Touch Control** with acoustic warning
- 9 adjustable power levels + Booster
- Timer function for each area
- Countdown alarm
- Automatic pan detection
- Safety lock
- Residual heat indicator
- Automatic safety switch-off
- **Frontal bevel**
- **59 cm wide**
- **Total power (induction + extraction) 7.53kW**



Accessories (not included)

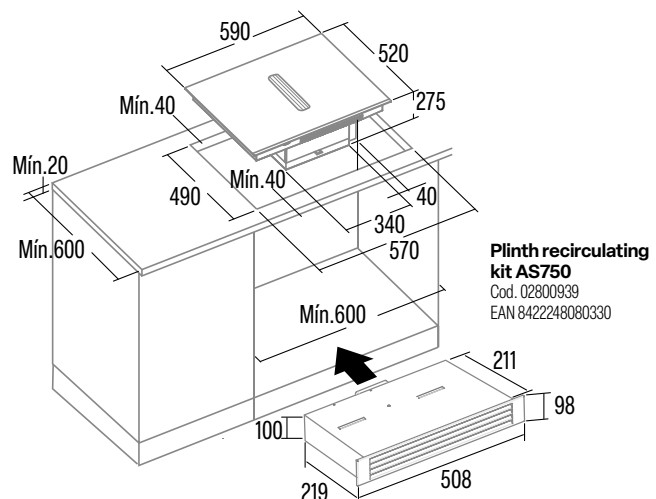
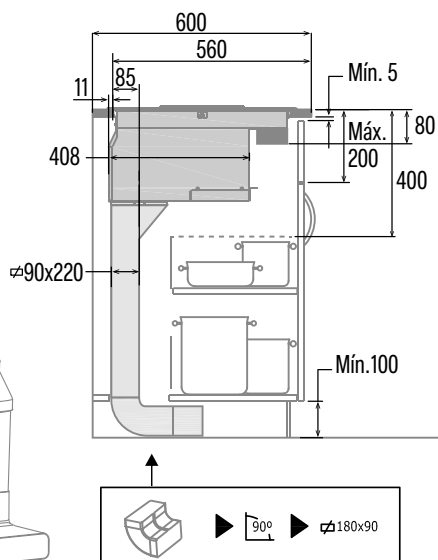
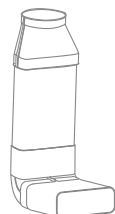
Plinth recirculating Kit AS600 Cod. 02801000 / EAN 8422248355339
Rectangular duct kit Cod. 02800992 / EAN 8422248112765

Accessories (not included)

Barbecue grill Cod. 03017400 / EAN 8422248082563

Rectangular duct kit

Cod. 02800992
EAN 8422248112765



Plinth recirculating kit AS750
Cod. 02800939
EAN 8422248080330



ISLANDS HOODS





ISLANDS HOODS



MAGRABA ISLAND

Cod. **02119207** EAN **8422248069342**



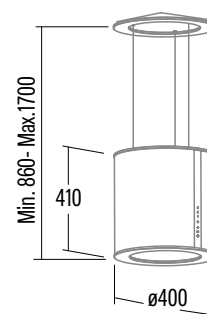
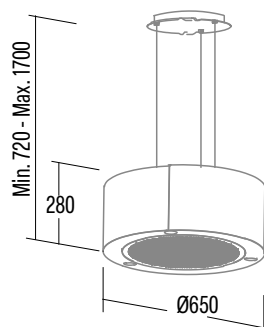
- **Electronic control** panel with automatic shut-down timer
- 3 extraction levels
- Extraction power (according to UNE/EN 61591): **645m³/h** - 300m³/h
- Motor maximum airflow free outlet: **1200m³/h**
- **Sound power (Reg.(EU) n°65/2014): 48dB(A)**, maximum: 63dB(A)
- BT2 motor. Extra silent. Maximum energy consumption **200W**
- **High efficiency LED lighting**
- Easy-to-install system
- **Recirculation operation**
- **Dishwasher-washable active charcoal filters**
- Finished Stainless steel and white
- Max. Pressure: 400 Pa
- Energy class: C

MOON ISLAND

Cod. **02119203** EAN **8422248062084**



- **Touch control panel** with automatic shut-down timer and cleaning filters indicator
- 3 extraction levels
- Extraction power (according to UNE/EN 61591): **645m³/h** - 300m³/h
- Motor maximum airflow free outlet: **1200m³/h**
- **Sound power (Reg.(EU) n°65/2014): 48dB(A)**, maximum: 63dB(A)
- BT2 motor. Extra silent. Maximum energy consumption **200W**
- **High efficiency LED lighting, adjustable intensity**
- **Easy-to-install system**
- **Recirculation operation**
- Dishwasher-washable active charcoal filters
- Finished Stainless steel and white glass
- Max. Pressure 400 Pa
- Energy Class: C



ISLANDS HOODS



High Efficiency Motor

FARO X ISLAND

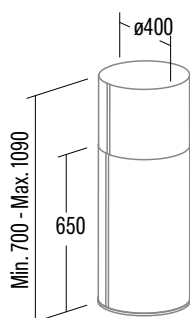
Cod. **02119101** EAN **8422248074230**



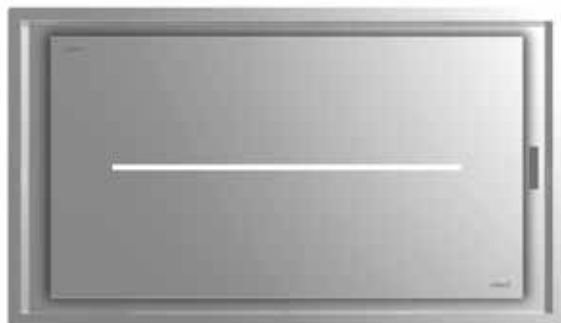
- **Electronic control panel** with automatic shut-down timer
- 3 extraction levels, 2 + **1 TURBO**
- Extraction power (according to UNE/EN 61591): **800m³/h** - 340m³/h
- Motor maximum airflow free outlet: **1350m³/h**
- **Sound power (Reg.(EU) n°65/2014): 50dB(A)**, maximum: 65dB(A)
- BT3 motor. Extra silent. Maximum energy consumption **280W**
- **High efficiency LED lighting**
- **Easy-to-install system**
- Dishwasher-washable filters
- Finished Stainless steel
- Max. Pressure: 470 Pa
- 150/125 mm outlet diameter
- **Energy class: A**

Accessories (not included)

Filter DUAL Compact Cod. 02811003 / EAN 8422248054317
 Check valve Cod. 02832004 / EAN 8422248480499



ISLANDS HOODS



BENU SLIM 1200 X ISLAND
Cod. **02111309** EAN **8422248112642**

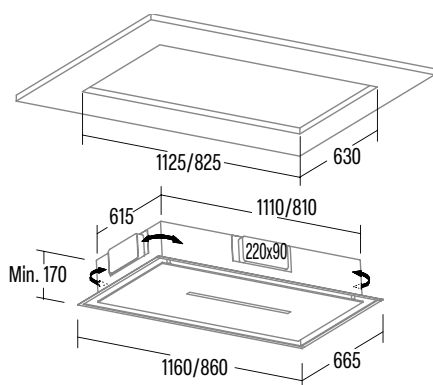
BENU SLIM 900 X ISLAND
Cod. **02111308** EAN **8422248110891**



- **Touch control** panel with automatic shut-down timer and cleaning filters indicator + **remote control**
- **AUTO 2 connectivity with automatic control from the CATA AUTO 2 hob**
- 6 extraction levels, 5 + **1 TURBO**
- Extraction power (according to UNE/EN 61591): **570m³/h** - 266m³/h
- **Sound power (Reg.(EU) n°65/2014): 50dB(A)**, maximum: 65dB(A)
- S6 motor. Extra silent. Maximum energy consumption 93W
- **High-efficiency lighting by intensity-adjustable two-tone warm / natural LED STRIP**
- Easy-to-install system
- Dishwasher-washable filters
- Inox finishing
- Max. Pressure: 669 Pa
- 220x90 or ø150 mm outlet
- **Minimum installation height 17 cm**
- Ceiling installation
- **Energy Class: A+**

Accessories (not included)

Recirculation -2 x Filtro DUAL MAX.....	Cod. 02800922 / EAN 8422248059930.....
180x90 outlet	Cod. 02829304 / EAN 8422248346764.....



REMOTE CONTROL
TIMER OPTION FOR PERFECT
SMOKE EXTRACTION

AUTO2 CONNECTIVITY WITH
AUTOMATIC CONTROL FROM
THE CATA HOB

ISLANDS HOODS



Finished in glass
850 m³/h
High Efficiency Motor

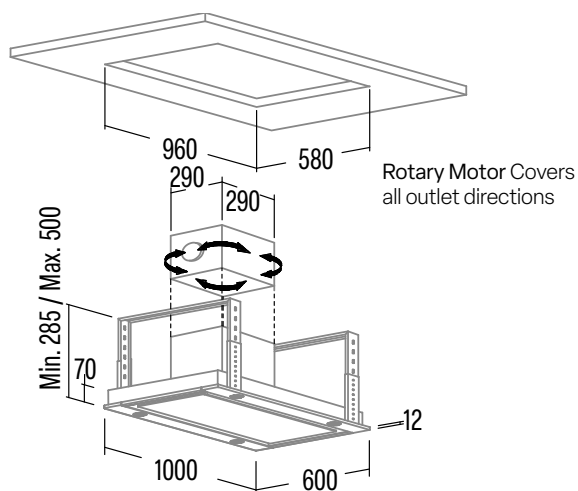
SIRIN 1000 GWH ISLAND
Cod. **02111002** EAN **8422248097437**



- **Touch control** panel with automatic shut-down timer and cleaning filters indicator + **remote control**
- 4 extraction levels, 3 + 1 **TURBO**
- Extraction power (according to UNE/EN 61591): **850m³/h** - 340m³/h
- Motor maximum airflow free outlet: **1350m³/h**
- **Sound power (Reg.(EU) n°65/2014): 50dB(A)**, maximum: 65dB(A)
- BT3 motor. Extra silent. Maximum energy consumption 280W
- **High efficiency LED lighting, adjustable intensity**
- Easy-to-install system
- Dishwasher-washable filters
- White Glass finishing
- Max. Pressure: 470 Pa
- 150 mm outlet diameter
- Ceiling installation

Accessories (not included)

Active Charcoal Filter Cod. 02859398 / EAN 8422248075497
Adaptator+Check Valve 150mm Cod. 02832006 / EAN 8422248079167



850 m³/h
High Efficiency Motor

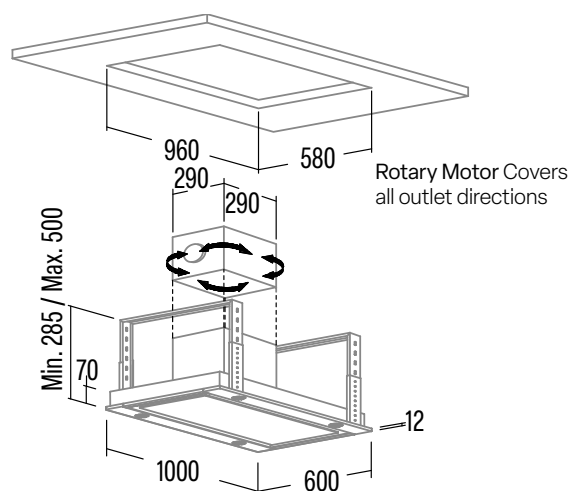
SIRIN 1000 WH ISLAND
Cod. **02111001** EAN **8422248077750**



- **Touch control** panel with automatic shut-down timer and cleaning filters indicator + **remote control**
- 4 extraction levels, 3 + 1 **TURBO**
- Extraction power (according to UNE/EN 61591): **850m³/h** - 340m³/h
- Motor maximum airflow free outlet: **1350m³/h**
- **Sound power (Reg.(EU) n°65/2014): 50dB(A)**, maximum: 65dB(A)
- BT3 motor. Extra silent. Maximum energy consumption 280W
- **High efficiency LED lighting, adjustable intensity**
- Easy-to-install system
- Dishwasher-washable filters
- White finishing
- Max. Pressure: 470 Pa
- 150 mm outlet diameter
- Ceiling installation

Accessories (not included)

Active Charcoal Filter Cod. 02859398 / EAN 8422248075497
Adaptator+Check Valve 150mm Cod. 02832006 / EAN 8422248079167





ISLANDSHOODS



850 m³/h
High Efficiency Motor

850 m³/h
High Efficiency Motor

FENIX 1000 X ISLAND
Cod. **02111305** EAN **8422248077798**

LEGEND 900 XGBK ISLAND
Cod. **02097202** EAN **8422248061681**



- **Touch control** panel with automatic shut-down timer and cleaning filters indicator + **remote control**
- 4 extraction levels, 3 + **1 TURBO**
- Extraction power (according to UNE/EN 61591): **850m³/h** - 340m³/h
- Motor maximum airflow free outlet: **1350m³/h**
- **Sound power (Reg.(EU) n°65/2014): 50dB(A)**, maximum: 65dB(A)
- BT3 motor. Extra silent. Maximum energy consumption 280W
- **High efficiency LED lighting, adjustable intensity**
- Easy-to-install system
- Dishwasher-washable filters
- Stainless Steel finishing
- Max. Pressure: 470 Pa
- 150 mm outlet diameter
- Ceiling installation

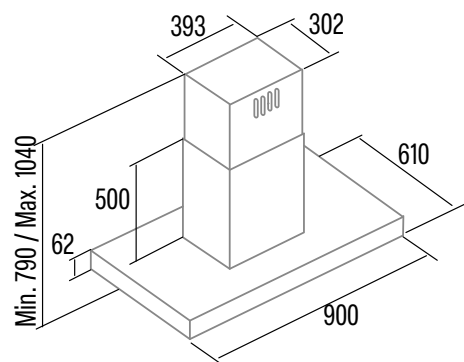
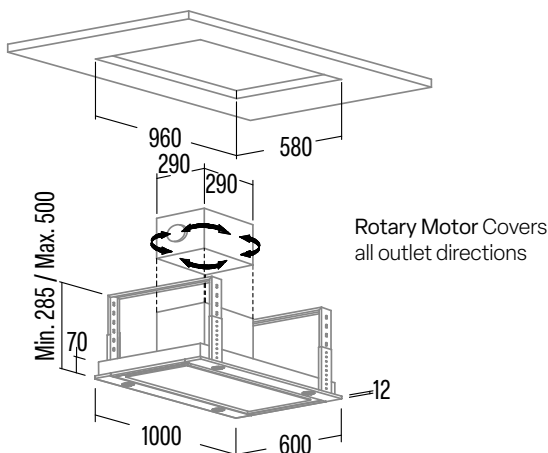
- **Touch Control Panel** with timer and cleaning filters indicator
- 5 extraction levels, 4 + **1 TURBO**
- Extraction power (according to UNE/EN 61591): **820m³/h** - 200m³/h
- Motor maximum airflow free outlet: **1200m³/h**
- **1st speed silent mode**
- **Sound power (Reg.(EU) n°65/2014): 40dB(A)**, maximum: 64dB(A)
- BRUSHLESS motor. Ultra silent. Maximum energy consumption **130W**
- **High efficiency LED lighting, adjustable intensity**
- Easy-to-install system
- Dishwasher-washable filters
- Finished Stainless steel and **mirror glass**
- Max. Pressure: 470 Pa
- 150/125 mm outlet diameter
- **Energy Class: A+**

Accessories (not included)

Active Charcoal Filter Cod. 02859398 / EAN 8422248075497
Adaptator+Check Valve 150mm Cod. 02832006 / EAN 8422248079167

Accessories (not included)

Active Charcoal Filter Cod. 02859398 / EAN 8422248075497
Check Valve Cod. 02832004 / EAN 8422248480499



ISLANDS HOODS



850 m³/h
High Efficiency Motor

SYGMA 900 X ISLAND
Cod. **02197313** EAN **8422248062121**



- **Electronic control Panel** with automatic shut down timer
- 3 extraction levels, 2 + **1 TURBO**
- Extraction power (according to UNE/EN 61591): **850m³/h** - 340m³/h
- Motor maximum airflow free outlet: **1350m³/h**
- **Sound power (Reg.(EU) n°65/2014): 50dB(A)**, maximum: 65dB(A)
- BT3 motor. Extra silent. Maximum energy consumption **280W**
- **High efficiency LED lighting**
- Easy-to-install system
- Dishwasher-washable filters
- Finished in Stainless steel
- Max. Pressure: 470 Pa
- 150/125 mm outlet diameter
- **Energy Class: A**

Accessories (not included)

Active charcoal filter Cod. 02859398 / EAN 8422248075497
Check valve..... Cod. 02832004 / EAN 8422248480499



850 m³/h
High Efficiency Motor

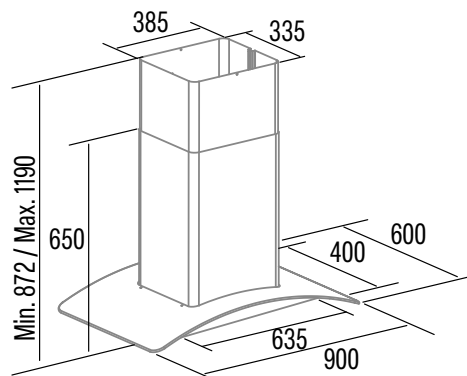
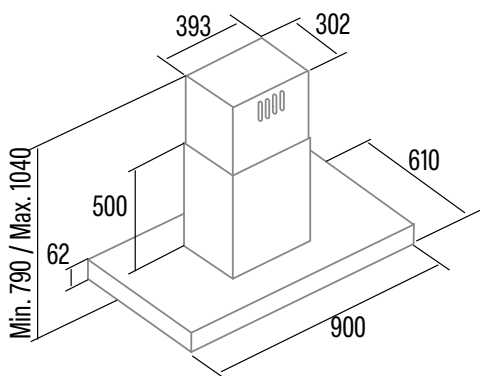
GAMMA 900 X ISLAND
Cod. **02025205** EAN **8422248077736**



- **Electronic control Panel** with automatic shut down timer
- 3 extraction levels, 2 + **1 TURBO**
- Extraction power (according to UNE/EN 61591): **850m³/h** - 340m³/h
- Motor maximum airflow free outlet: **1350m³/h**
- **Sound power (Reg.(EU) n°65/2014): 50dB(A)**, maximum: 65dB(A)
- BT3 motor. Extra silent. Maximum energy consumption **280W**
- **High efficiency LED lighting**
- Easy-to-install system
- Dishwasher-washable filters
- Finished in Stainless steel
- Max. Pressure: 470 Pa
- 150/125 mm outlet diameter
- **Energy Class: A**

Accessories (not included)

Active charcoal filter Cod. 02859398 / EAN 8422248075497
Check valve..... Cod. 02832004 / EAN 8422248480499





ISLANDSHOODS



850 m³/h
High Efficiency Motor

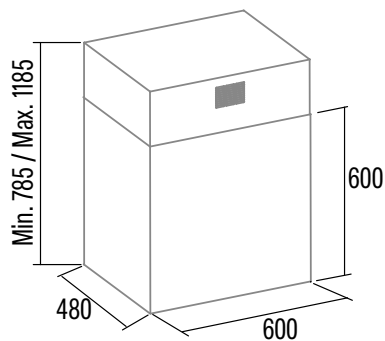
VEGA X ISLAND
Cod. 02119311 EAN 8422248077743



- **Electronic control Panel** with automatic shut down timer
- 3 extraction levels, 2 + **1 TURBO**
- Extraction power (according to UNE/EN 61591): **850m³/h** - 340m³/h
- Motor maximum airflow free outlet: **1350m³/h**
- **Sound power (Reg.(EU) n°65/2014): 50dB(A)**, maximum: 65dB(A)
- BT3 motor. Extra silent. Maximum energy consumption **280W**
- **High efficiency LED lighting**
- Easy-to-install system
- Dishwasher-washable filters
- Finished in Stainless steel
- Max. Pressure: 470 Pa
- 150/125 mm outlet diameter
- **Energy Class: A**

Accessories (not included)

Active charcoal filter..... Cod. 02859398 / EAN 8422248075497
Check valve..... Cod. 02832004 / EAN 8422248480499







CORNERHOODS



High Efficiency Motor

850 m³/h
High Efficiency Motor

GALA 900 L
Cod. **02169304** EAN **8422248355575**

NEW



- **Electronic control Panel** with automatic shut down timer
- 4 extraction levels, 3 + **1 TURBO**
- Extraction power (according to UNE/EN 61591): **802m³/h** - 340m³/h
- Motor maximum airflow free outlet: **1350m³/h**
- **Sound power (Reg.(EU) n°65/2014): 50dB(A)**, maximum: 65dB(A)
- BT3 motor. Extra silent. Maximum energy consumption **280W**
- **High efficiency strip LED lighting**
- Easy-to-install system
- Dishwasher-washable filters
- Finished in Stainless steel
- Max. Pressure: 470 Pa
- 150/125 mm outlet diameter
- **Energy Class: A**

Accessories (not included)

Active charcoal filter	Cod. 02859398 / EAN 8422248075497
Check valve	Cod. 02832004 / EAN 8422248480499
Recirculation -3 x Filter DUAL Universal	Cod. 02800918/ EAN 8422248054348
Noiseless Flexible Duct	Cod. 02893002/ EAN 8422248059718

GALA 900 R
Cod. **02166304** EAN **8422248355582**

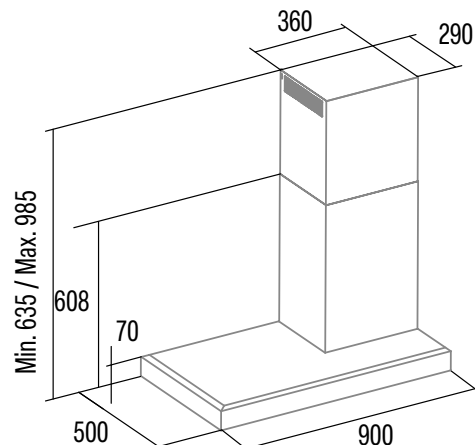
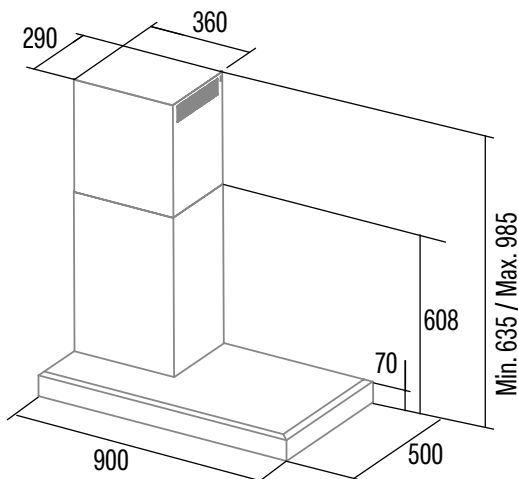
NEW



- **Electronic control Panel** with automatic shut down timer
- 4 extraction levels, 3 + **1 TURBO**
- Extraction power (according to UNE/EN 61591): **802m³/h** - 340m³/h
- Motor maximum airflow free outlet: **1350m³/h**
- **Sound power (Reg.(EU) n°65/2014): 50dB(A)**, maximum: 65dB(A)
- BT3 motor. Extra silent. Maximum energy consumption **280W**
- **High efficiency strip LED lighting**
- Easy-to-install system
- Dishwasher-washable filters
- Finished in Stainless steel
- Max. Pressure: 470 Pa
- 150/125 mm outlet diameter
- **Energy Class: A**

Accessories (not included)

Active charcoal filter	Cod. 02859398 / EAN 8422248075497
Check valve	Cod. 02832004 / EAN 8422248480499
Recirculation -3 x Filter DUAL Universal	Cod. 02800918/ EAN 8422248054348
Noiseless Flexible Duct	Cod. 02893002/ EAN 8422248059718



CORNERHOODS



High Efficiency Motor

ANGOLO BOX 1000 X
Cod. **02195309** EAN **8422248077774**



- **Electronic control Panel** with automatic shut down timer
- 3 extraction levels, 2 + **1 TURBO**
- Extraction power (according to UNE/EN 61591): **800m³/h** - 340m³/h
- Motor maximum airflow free outlet: **1350m³/h**
- **Sound power (Reg.(EU) n°65/2014): 50dB(A)**, maximum: 65dB(A)
- BT3 motor. Extra silent. Maximum energy consumption **280W**
- **High efficiency LED lighting**
- Easy-to-install system
- Dishwasher-washable filters
- Finished in Stainless steel
- Max. Pressure: 470 Pa
- 150/125 mm outlet diameter
- **Energy Class: A**

Accessories (not included)

Check valve.....	Cod. 02832004 / EAN 8422248480499
Top tub	Cod. 02853300 / EAN 8422248031035
Recirculation -3 x Filter DUAL Universal	Cod. 02800918 / EAN 8422248054348



850 m³/h
High Efficiency Motor

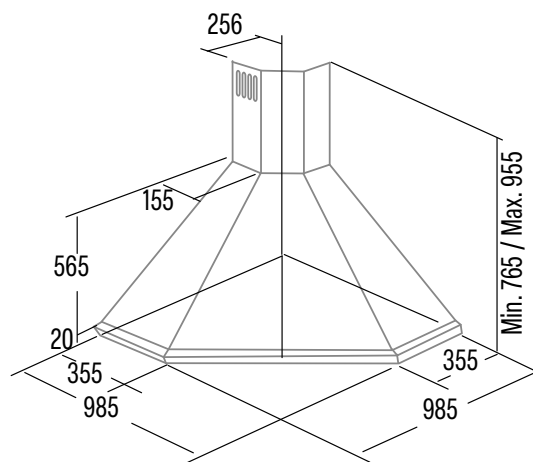
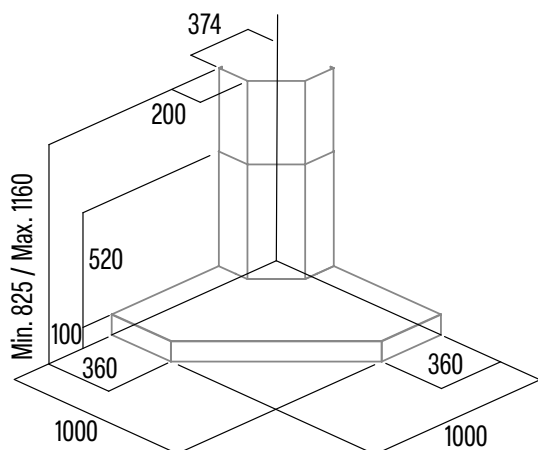
ANGOLO X
Cod. **02195310** EAN **8422248077781**



- **Electronic control Panel** with automatic shut down timer
- 3 extraction levels, 2 + **1 TURBO**
- Extraction power (according to UNE/EN 61591): **850m³/h** - 340m³/h
- Motor maximum airflow free outlet: **1350m³/h**
- **Sound power (Reg.(EU) n°65/2014): 50dB(A)**, maximum: 65dB(A)
- BT3 motor. Extra silent. Maximum energy consumption **280W**
- **High efficiency LED lighting**
- Easy-to-install system
- Dishwasher-washable filters
- Finished in Stainless steel
- Max. Pressure: 470 Pa
- 150/125 mm outlet diameter
- **Energy Class: A**

Accessories (not included)

Active charcoal filter.....	Cod. 02859398 / EAN 8422248075497
Check valve.....	Cod. 02832004 / EAN 8422248480499







DECORATIVES HOODS





motor BRUSHLESS
the highest efficiency of the market

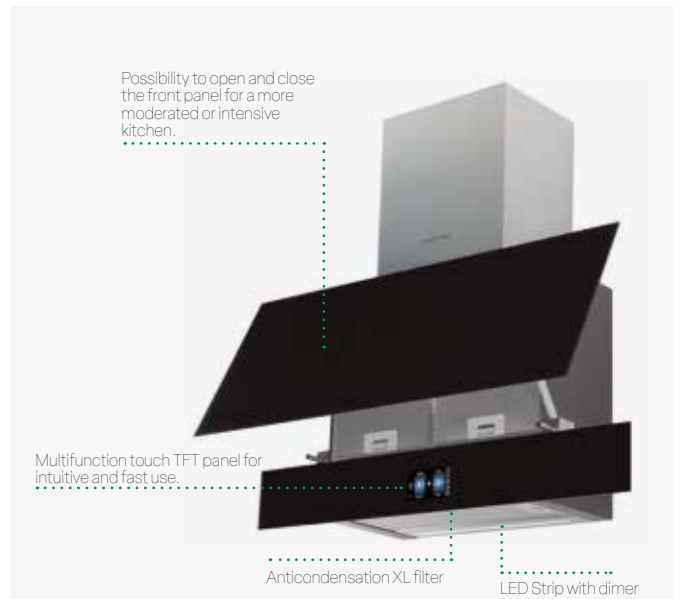
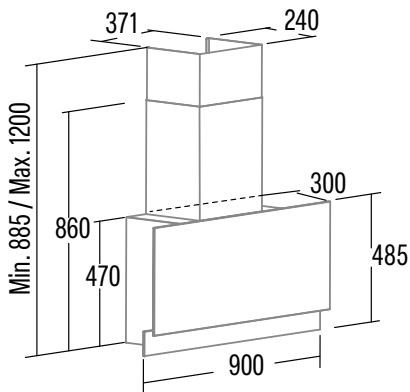
GOYA PRO 90 BK
Cod. **02184401** EAN **8422248080613**



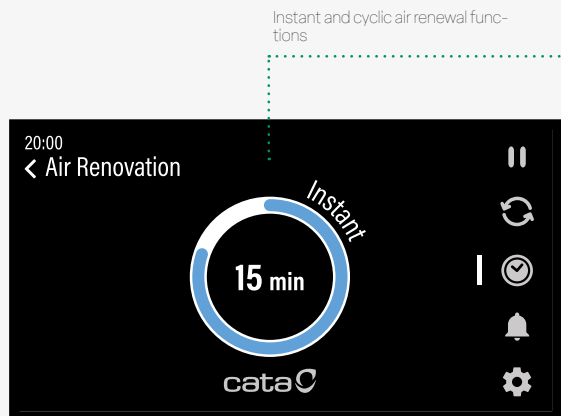
- Multifunction **TFT Touch screen** with automatic shut-down timer and cleaning filters indicator
- 6 extraction levels, **Silent + 4 + TURBO**
- **PRO connectivity with automatic control from the CATA PRO hob**
- **Extraction power (according to UNE/EN 61591): 842m³/h - 283m³/h**
- Motor maximum airflow free outlet: **1400m³/h**
- Sound power (Reg. (EU) n°65/2014): 48dB(A), maximum: 64dB(A)
- BRUSHLESS motor. Ultra silent. Maximum energy consumption **135W**
- **High efficiency strip LED lighting, adjustable intensity**
- Easy-to-install system
- **Non-condensation filter XL**
- Dishwasher washable Filters
- Air renovation function
- Finished in black glass
- Max. Pressure: 365 Pa
- Front panel with opening for intensive use
- 150/125 mm outlet diameter
- **Energy Class: A+++**

Accessories (not included)

Active charcoal filter.....	Cod. 02859318 / EAN 8422248098472
Check valve.....	Cod. 02832008 / EAN 8422248086837
Top tube BK	Cod. 02861403 / EAN 8422248078818
Top tube Inox	Cod. 02861303 / EAN 8422248097758



Connectivity with PRO family hobs with automatic function



BEST
restaurant
IN THE
WORLD
2013 & 2015

cata & can **Roca**

cata
green innovation

HOODS

DECORATIVES



motor BRUSHLESS

GOYA 90 BK
Cod. **02129404** EAN **8422248190541**

NEW



motor BRUSHLESS

GOYA 90 WH
Cod. **02129004** EAN **8422248190534**

NEW

GOYA 70 BK
Cod. **02127404** EAN **8422248190527**

NEW

GOYA 70 WH
Cod. **02127004** EAN **8422248190510**

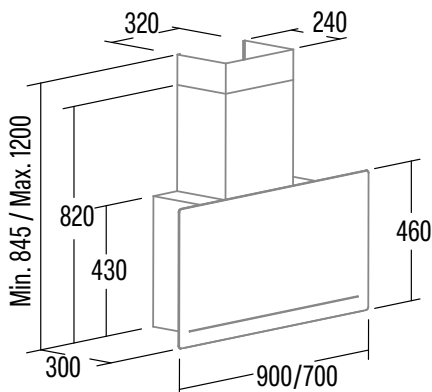
NEW



- **Touch Control Panel** with automatic shut-down timer and cleaning filters indicator
- 6 extraction levels, 5 + 1 **TURBO**
- **1st speed silent mode**
- Extraction power (according to UNE/EN 61591): **825m³/h** - 200m³/h
- Motor maximum airflow free outlet: **1200m³/h**
- **Sound power (Reg.(EU) n°65/2014): 40dB(A)**, maximum: 64dB(A)
- BRUSHLESS motor. Ultra silent. Maximum energy consumption **135W**
- **High-efficiency lighting by intensity-adjustable two-tone warm / natural LED STRIP**
- Easy-to-install system
- **Non-condensation filter XL**
- Dishwasher-washable filters
- Black/white glass finishing
- Max. Pressure: 365 Pa
- **Front panel with pneumatic opening for intensive use**
- 150/125 mm outlet diameter
- **Energy Class: A+++**

Accessories (not included)

Active charcoal filter.....	Cod. 02869398 / EAN 8422248075497
Check valve.....	Cod. 02832004 / EAN 8422248480499
Top tub BK.....	Cod. 02861405 / EAN 8422248078931
Top tub WH.....	Cod. 02861005 / EAN 8422248078917.....



POSSIBILITY TO OPEN AND CLOSE THE FRONT PANEL FOR A MODERATE OR MORE INTENSIVE COOKING.

30cm

DEPTH OF 30CM, SO THAT IT DOES NOT EXCEED THE KITCHEN FURNITURE AND ACCIDENTS ARE AVOIDED.

LED STRIP with dimmer two-tone warm / natural

XL ANTI-CONDENSATION FILTER



850 m³/h
High Efficiency Motor

GRECO 90 BK
Cod. **02184407** EAN **8422248106146**

GRECO 80 BK
Cod. **02145407** EAN **8422248106160**

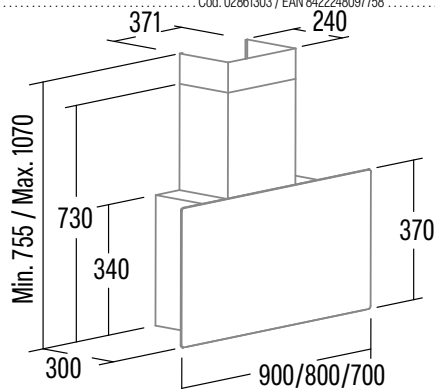
GRECO 70 BK
Cod. **02133407** EAN **8422248106191**



- **Touch Control Panel** with automatic shut-down timer and cleaning filters indicator
- 4 extraction levels, 3 + **1 TURBO**
- Extraction power (according to UNE/EN 61591): **850m³/h** - 340m³/h
- Motor maximum airflow free outlet: **1350m³/h**
- **Sound power (Reg.(EU) n°65/2014): 50dB(A)**, maximum: 65dB(A)
- BT3 motor. Ultra silent. Maximum energy consumption **280W**
- **High efficiency LED lighting, adjustable intensity**
- Easy-to-install system
- **Non-condensation filter XL**
- Dishwasher-washable filters
- Black glass finishing
- Max. Pressure: 470 Pa
- **Front panel with pneumatic opening for intensive use**
- 150/125 mm outlet diameter
- **Energy Class: A**

Accessories (not included)

Active charcoal filter.....	Cod. 02859398 / EAN 8422248075497
Check valve.....	Cod. 02832004 / EAN 8422248480499
Top tub BK.....	Cod. 02861403 / EAN 8422248078818
Top tub WH.....	Cod. 02861003 / EAN 8422248097765
Top tub INOX.....	Cod. 02861303 / EAN 8422248097758



850 m³/h
High Efficiency Motor

GRECO 90 WH
Cod. **02184007** EAN **8422248106153**

GRECO 80 WH
Cod. **02145007** EAN **8422248106184**

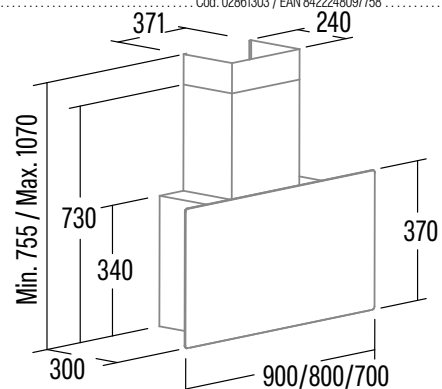
GRECO 70 WH
Cod. **02133007** EAN **8422248106207**



- **Touch Control Panel** with automatic shut-down timer and cleaning filters indicator
- 4 extraction levels, 3 + **1 TURBO**
- Extraction power (according to UNE/EN 61591): **850m³/h** - 340m³/h
- Motor maximum airflow free outlet: **1350m³/h**
- **Sound power (Reg.(EU) n°65/2014): 50dB(A)**, maximum: 65dB(A)
- BT3 motor. Ultra silent. Maximum energy consumption **280W**
- **High efficiency LED lighting, adjustable intensity**
- Easy-to-install system
- **Non-condensation filter XL**
- Dishwasher-washable filters
- White glass finishing
- Max. Pressure: 470 Pa
- **Front panel with pneumatic opening for intensive use**
- 150/125 mm outlet diameter
- **Energy Class: A**

Accessories (not included)

Active charcoal filter.....	Cod. 02859398 / EAN 8422248075497
Check valve.....	Cod. 02832004 / EAN 8422248480499
Top tub BK.....	Cod. 02861403 / EAN 8422248078818
Top tub WH.....	Cod. 02861003 / EAN 8422248097765
Top tub INOX.....	Cod. 02861303 / EAN 8422248097758



BEST
restaurant
IN THE WORLD
2013 & 2015

cata & can Roca

cata
green innovation

HOODS

DECORATIVES



850 m³/h
High Efficiency Motor

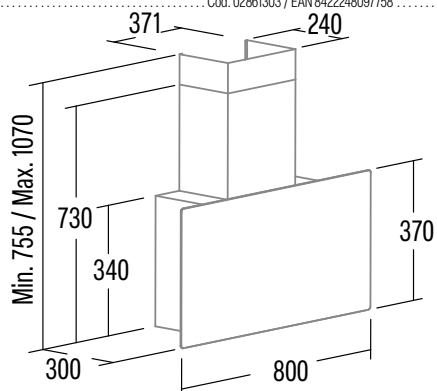
GRECO 80 GR
Cod. **02145203** EAN **8422248106177**



- **Touch Control Panel** with automatic shut-down timer and cleaning filters indicator
- 4 extraction levels, 3 + 1 **TURBO**
- Extraction power (according to UNE/EN 61591): **850m³/h** - 340m³/h
- Motor maximum airflow free outlet: **1350m³/h**
- **Sound power (Reg. (EU) n°65/2014): 50dB(A)**, maximum: 65dB(A)
- BT3 motor. Ultra silent. Maximum energy consumption **280W**
- **High efficiency LED lighting, adjustable intensity**
- Easy-to-install system
- **Non-condensation filter XL**
- Dishwasher-washable filters
- Metallic gray glass finishing
- Max. Pressure: 470 Pa
- **Front panel with pneumatic opening for intensive use**
- 150/125 mm outlet diameter
- **Energy Class: A**

Accessories (not included)

Active charcoal filter	Cod. 02859398 / EAN 8422248075497
Check valve	Cod. 02832004 / EAN 8422248480499
Top tub BK	Cod. 02861403 / EAN 8422248078818
Top tub WH	Cod. 02861003 / EAN 8422248097765
Top tub INOX	Cod. 02861303 / EAN 8422248097758



Depth of 30cm, so that it does not exceed the kitchen furniture and accidents are avoided.

XL ANTI-CONDENSATION FILTER



Possibility to open and close the front panel for a moderate or more intensive cooking.



THALASSA PRO 1200 GBK
Cod. **02131407** EAN **8422248356329**



THALASSA PRO 900 GBK
Cod. **02139407** EAN **8422248356282**



THALASSA PRO 800 GBK
Cod. **02138407** EAN **8422248356299**



THALASSA PRO 700 GBK
Cod. **02137407** EAN **8422248356305**



THALASSA PRO 600 GBK
Cod. **02136407** EAN **8422248356312**



THALASSA PRO 900 GWH
Cod. **02139007** EAN **8422248356336**



THALASSA PRO 800 GWH
Cod. **02138007** EAN **8422248356343**



THALASSA PRO 700 GWH
Cod. **02137007** EAN **8422248356350**



THALASSA PRO 600 GWH
Cod. **02136007** EAN **8422248356367**



THALASSA PRO 900 GGR
Cod. **02139507** EAN **8422248356374**



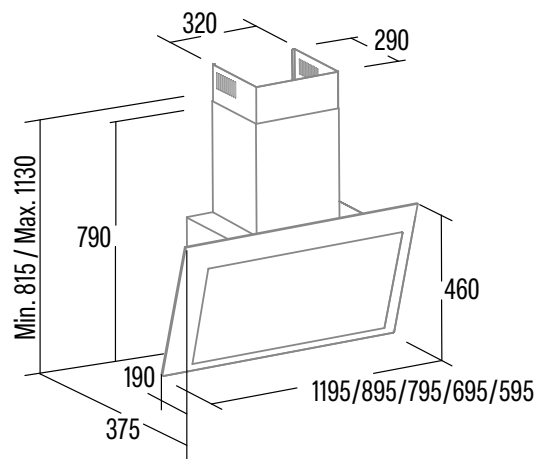
THALASSA PRO 800 GGR
Cod. **02138507** EAN **8422248356381**



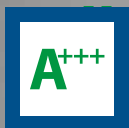
- **Touch Control Panel** with automatic shut-down timer and cleaning filters indicator
- 6 extraction levels, 5 + 1 TURBO
- Extraction power (according to UNE/EN 61591): **842m³/h - 283m³/h**
- Motor maximum airflow free outlet: 1400m³/h
- Sound power (Reg.(EU) n°65/2014): **46dB(A)**, maximum: 64dB(A)
- BRUSHLESS motor. Ultra silent. Maximum energy consumption **140W**
- **High efficiency LED lighting, adjustable intensity**
- **AUTO 2 connectivity with automatic control from the CATA AUTO 2 hob**
- Fresh function
- Pneumatic opening
- 1st speed silent mode
- Installation without duct tube and ceramic carbon filter optional
- Front panel with opening for intensive use
- **Non-condensation filter**
- Easy-to-install system
- Dishwasher-washable filters
- Black /White/ Grey glass finishing
- Max. Pressure: 365 Pa
- 150/125 mm outlet diameter
- **Energy Class: A+++**

Accessories (not included)

Active charcoal filter	Cod. 02859318 / EAN 8422248098472
Check valve	Cod. 02832004 / EAN 8422248480499
Top tub	Cod. 02861300 / EAN 8422248016742
Tub set BK	Cod. 02861401 / EAN 8422248060226
Tub set WH	Cod. 02861001 / EAN 8422248060233



BLACK /WHITE/ GREY
GLASS FINISHING



MAXIMUM ENERGY EFFICIENCY
OF THE MARKET

OPENING FOR
INTENSIVE USE

842 m³/h

HIGH EXTRACTION
CAPACITY

5 EXTRACTION LEVELS + TURBO



TOUCH CONTROL PANEL WITH
DIGITAL DISPLAY



ALARM CLEANING OF
METAL FILTER



ALARM CHANGE OF
ACTIVE CARBON FILTER



HIGH-EFFICIENCY LIGHTING BY INTENSITY-ADJUSTABLE
TWO-TONE WARM / NATURAL LED STRIP

FILTER CONDENSATION
COLLECTION AREA



AUTO2

AUTO2 CONNECTIVITY WITH
AUTOMATIC CONTROL FROM
THE CATA HOB AUTO2



DECORATIVES



THALASSA 900 GBK
Cod. **02139406** EAN **8422248356220**



THALASSA 700 GBK
Cod. **02137406** EAN **8422248356237**



THALASSA 600 GBK
Cod. **02136406** EAN **8422248356244**



THALASSA 900 GWH
Cod. **02139006** EAN **8422248356251**



THALASSA 700 GWH
Cod. **02137006** EAN **8422248356268**



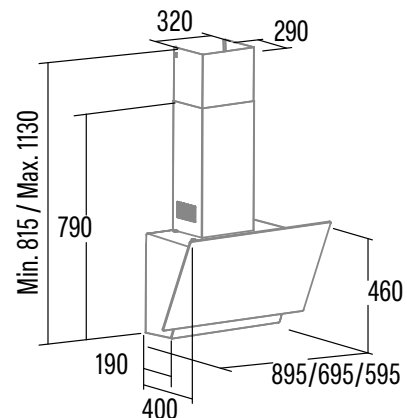
THALASSA 600 GWH
Cod. **02136006** EAN **8422248356275**



- Electronic **Control Panel with digital display**, automatic shut-down timer and cleaning filters indicator
- 4 extraction levels, 3 + **1 TURBO**
- Extraction power (according to UNE/EN 61591): **811m³/h** - 346m³/h
- Motor maximum airflow free outlet: 1400m³/h
- **Sound power (Reg. (EU) n°65/2014): 50dB(A)**, maximum: 65dB(A)
- BT3 motor. Extra silent. Maximum energy consumption **280W**
- High efficiency Strip LED lighting, adjustable intensity
- Fresh function
- Pneumatic opening
- Installation without duct tube and ceramic carbon filter optional
- Front panel with opening for intensive use
- **Non-condensation filter and Filter condensation collection area**
- Easy-to-install system with horizontal leveling
- Dishwasher-washable filters
- White glass finishing
- Max. Pressure: 470 Pa
- 150/120 mm outlet diameter
- **Energy Class: A**

Accessories (not included)

Active charcoal filter Cod. 02859394 / EAN 8422248038782
Check valve Cod. 02832004 / EAN 8422248480499



DECORATIVES



JUNO+ 9000 GBK 
Cod. **02059701** EAN **8422248355643**

JUNO+ 9000 GWH 
Cod. **02059801** EAN **8422248355674**

JUNO+ 7000 GBK 
Cod. **02078701** EAN **8422248355636**

JUNO+ 7000 GWH 
Cod. **02078801** EAN **8422248355667**

JUNO+ 6000 GBK 
Cod. **02027701** EAN **8422248355629**

JUNO+ 6000 GWH 
Cod. **02027801** EAN **8422248355650**



- **Touch Control Panel** with digital display, automatic shut-down timer and cleaning filters indicator
- 6 extraction levels, 5 + 1 **TURBO**
- Extraction power (according to UNE/EN 61591): **562m³/h** - 170m³/h
- Motor maximum airflow free outlet: 900m³/h
- **Sound power (Reg.(EU) n°65/2014): 44dB(A)**, maximum: 61dB(A)
- Brushless motor. Extra silent. Maximum energy consumption **95W**
- High efficiency Strip LED lighting, adjustable intensity
- Pneumatic opening
- **Front panel with opening for intensive use**
- Non-condensation filter
- Easy-to-install system
- Dishwasher-washable filters
- Black glass finishing
- Max. Pressure: 470 Pa
- 150/125 mm outlet diameter
- **Energy Class: A+**

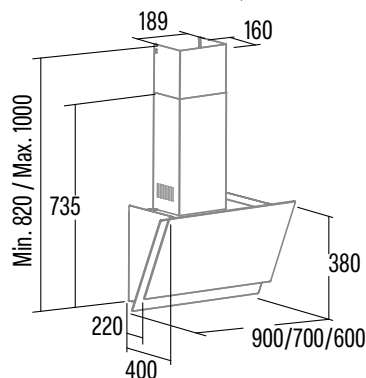
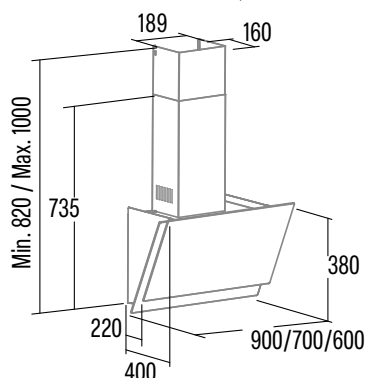
- **Touch Control Panel** with digital display, automatic shut-down timer and cleaning filters indicator
- 6 extraction levels, 5 + 1 **TURBO**
- Extraction power (according to UNE/EN 61591): **562m³/h** - 170m³/h
- Motor maximum airflow free outlet: 900m³/h
- **Sound power (Reg.(EU) n°65/2014): 44dB(A)**, maximum: 61dB(A)
- Brushless motor. Extra silent. Maximum energy consumption **95W**
- High efficiency Strip LED lighting, adjustable intensity
- Pneumatic opening
- **Front panel with opening for intensive use**
- Non-condensation filter
- Easy-to-install system
- Dishwasher-washable filters
- White glass finishing
- Max. Pressure: 470 Pa
- 150/125 mm outlet diameter
- **Energy Class: A+**

Accessories (not included)

Active charcoal filter Cod. 02859394 / EAN 8422248038782
Check valve Cod. 02832004 / EAN 8422248480499

Accessories (not included)

Active charcoal filter Cod. 02859394 / EAN 8422248038782
Check valve Cod. 02832004 / EAN 8422248480499





DECORATIVES



JUNO 9000 GBK
Cod. **02059700** EAN **8422248355612**



JUNO 7000 GBK
Cod. **02078700** EAN **8422248355605**



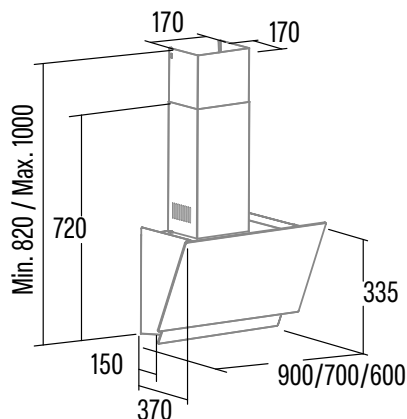
JUNO 6000 GBK
Cod. **02027700** EAN **8422248355599**



- **Touch Control Panel with digital display**, automatic shut-down timer and cleaning filters indicator
- 6 extraction levels, 5 + **1 TURBO**
- Extraction power (according to UNE/EN 61591): **428m³/h** - 170m³/h
- Motor maximum airflow free outlet: **600m³/h**
- **Sound power (Reg.(EU) n°65/2014): 50dB(A)**, maximum: 64dB(A)
- **BRUSHLESS** motor. Extra silent. Maximum energy consumption **110W**
- **High efficiency Compact Strip LED lighting, adjustable intensity**
- Easy-to-install system
- Dishwasher-washable filters
- Finished in white glass
- Max. Pressure: 470 Pa
- 150/125 mm outlet diameter
- **Energy Class: A+**

Accessories (not included)

Active charcoal filter	Cod. 02859394 / EAN 8422248038782
Check valve	Cod. 02832004 / EAN 8422248480499



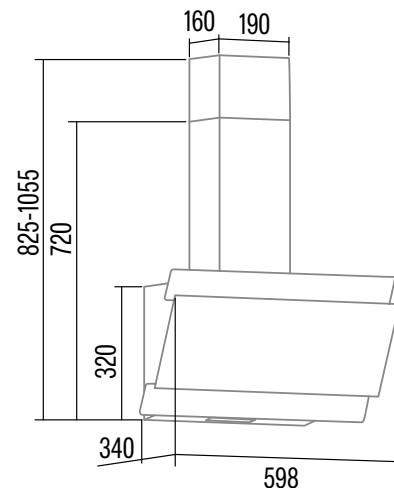
HESTIA 600 GBK
Cod. **02012610** EAN **8422248360395**



- **Mechanical Control Panel**
- 3 extraction levels
- Extraction power (according to UNE/EN 61591): 380m³/h - 190m³/h
- Motor maximum airflow free outlet: **450 m³/h**
- **Sound power (Reg.(EU) n°65/2014): 51dB(A)**, maximum: 67dB(A)
- YL450DC motor. Maximum energy consumption **110W**
- High efficiency compact Strip LED lighting
- Easy-to-install system
- Dishwasher-washable filters
- Finishing and black glass
- Max. Pressure: 206 Pa
- 120 mm outlet diameter
- **Energy Class: B**

Accessories (not included)

Active charcoal filter	Cod. 02859394 / EAN 8422248038782
Check valve	Cod. 02832004 / EAN 8422248480499



DECORATIVES



WANDA 900 XGBK
Cod. **02059405** EAN **8422248102308**

WANDA 700 XGBK
Cod. **02078405** EAN **8422248102315**

WANDA 600 XGBK
Cod. **02027210** EAN **8422248102322**



- **Touch Control Panel** with automatic shut-down timer
- 9 extraction levels
- Extraction power (according to UNE/EN 61591): **525m³/h** - 207m³/h
- Motor maximum airflow free outlet: **1000m³/h**
- **Sound power (Reg. (EU) n°65/2014): 39dB(A)**, maximum: 59dB(A)
- BRUSHLESS motor. Ultra silent. Maximum energy consumption **70W**
- **High efficiency LED lighting**
- Easy-to-install system
- Dishwasher-washable filters
- Finishing and black glass
- Max. Pressure: 430 Pa
- 150 mm outlet diameter
- **Energy Class: A++**

Accessories (not included)

Active charcoal filter Cod. 02859492 / EAN 8422248097697



WANDA 900 XGWH
Cod. **02059010** EAN **8422248102339**

WANDA 700 XGWH
Cod. **02078006** EAN **8422248102346**

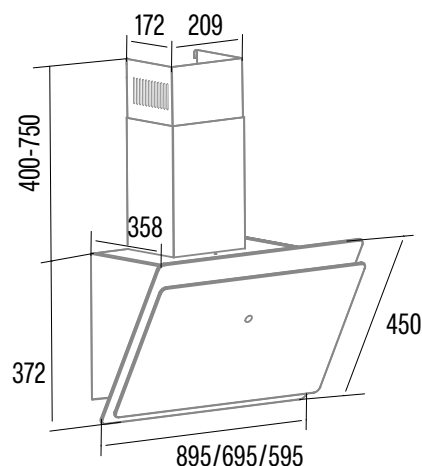
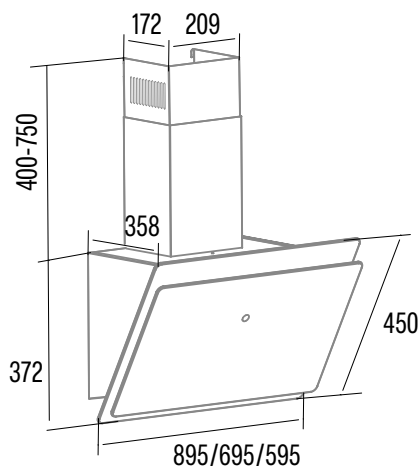
WANDA 600 XGWH
Cod. **02027012** EAN **8422248102353**



- **Touch Control Panel** with automatic shut-down timer
- 9 extraction levels
- Extraction power (according to UNE/EN 61591): **525m³/h** - 207m³/h
- Motor maximum airflow free outlet: **1000m³/h**
- **Sound power (Reg. (EU) n°65/2014): 39dB(A)**, maximum: 59dB(A)
- BRUSHLESS motor. Ultra silent. Maximum energy consumption **70W**
- **High efficiency LED lighting**
- Easy-to-install system
- Dishwasher-washable filters
- Finishing and white glass
- Max. Pressure: 430 Pa
- 150 mm outlet diameter
- **Energy Class: A++**

Accessories (not included)

Active charcoal filter Cod. 02859492 / EAN 8422248097697





LENA 900XGBK
Cod. **02059403** EAN **8422248108089**

LENA 600XGBK
Cod. **02032205** EAN **8422248102292**

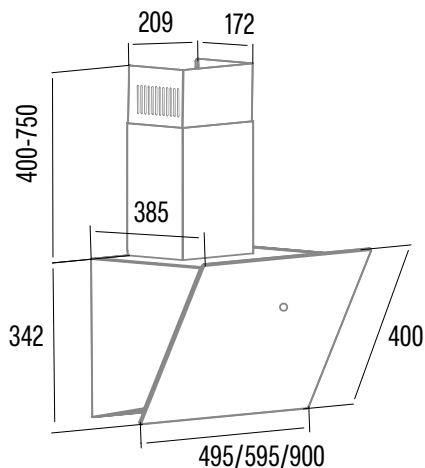
LENA 500XGBK
Cod. **02032206** EAN **8422248102377**



- **Electronic control Panel** with automatic shut down timer
- 3 extraction levels
- Extraction power (according to UNE/EN 61591): **500m³/h** - 310m³/h
- Motor maximum airflow free outlet: **750m³/h**
- **Sound power (Reg.(EU) n°65/2014): 45dB(A)**, maximum: 63dB(A)
- 1 motor. Maximum energy consumption **120W**
- **High efficiency LED lighting**
- Easy-to-install system
- Dishwasher-washable filters
- Finished in black glass
- Max. Pressure: 380 Pa
- 150mm outlet diameter
- **Energy Class: B**

Accessories (not included)

Active charcoal filter Cod. 02859492/ EAN 8422248097697



LENA 900XGWH
Cod. **02059011** EAN **8422248346559**

LENA 600XGWH
Cod. **02032005** EAN **8422248102285**

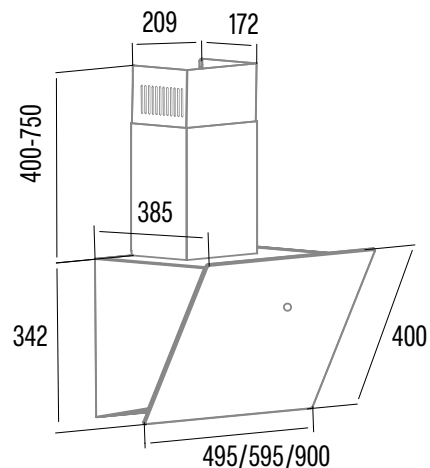
LENA 500XGWH
Cod. **02032006** EAN **8422248102360**



- **Electronic control Panel** with automatic shut down timer
- 3 extraction levels
- Extraction power (according to UNE/EN 61591): **500m³/h** - 310m³/h
- Motor maximum airflow free outlet: **750m³/h**
- **Sound power (Reg.(EU) n°65/2014): 45dB(A)**, maximum: 63dB(A)
- 1 motor. Maximum energy consumption **120W**
- **High efficiency LED lighting**
- Easy-to-install system
- Dishwasher-washable filters
- Finished in white glass
- Max. Pressure: 380 Pa
- 150mm outlet diameter
- **Energy Class: B**

Accessories (not included)

Active charcoal filter Cod. 02859492/ EAN 8422248097697



DECORATIVES



LEGEND 9000 XGBK
Cod. **02029207** EAN **8422248101493**

LEGEND 7000 XGBK
Cod. **02021202** EAN **8422248101509**

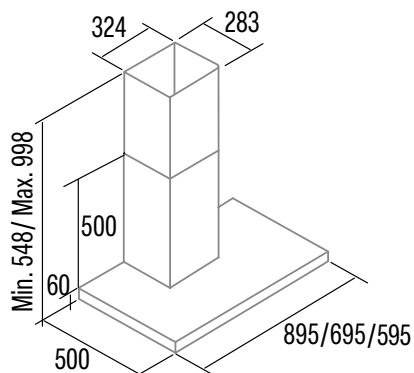
LEGEND 6000 XGBK
Cod. **02060208** EAN **8422248102544**



- **Touch Control Panel** with automatic shut-down timer and cleaning filters indicator
- 9 extraction levels
- Extraction power (according to UNE/EN 61591): **640m³/h** - 236m³/h
- Motor maximum airflow free outlet: **1000m³/h**
- **Sound power (Reg.(EU) n°65/2014): 44dB(A)**, maximum: 65dB(A)
- BRUSHLESS motor. Ultra silent. Maximum energy consumption **70W**
- **High efficiency Strip LED lighting**
- Easy-to-install system
- MAX panellED stainless steel filters dishwasher washable
- Stainless steel finishing and black glass
- Max. Pressure: 220 Pa
- 150 mm outlet diameter
- **Energy Class: A++**

Accessories (not included)

Active charcoal filter Cod. 02859492 / EAN 8422248097697



LEGEND 900 X
Cod. **02029305** EAN **8422248068635**

LEGEND 700 X
Cod. **02021306** EAN **8422248068659**



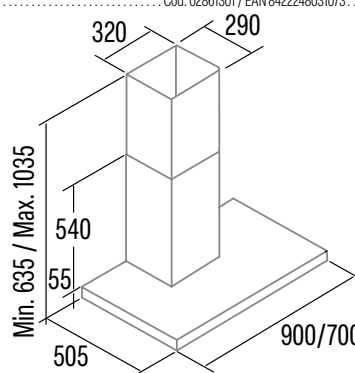
- **Electronic Control Panel** with digital display, automatic shut-down timer and cleaning filters indicator
- 5 extraction levels, 4 + 1 **TURBO**
- **1st speed silent mode**
- Extraction power (according to UNE/EN 61591): **648m³/h** - 200m³/h
- Motor maximum airflow free outlet: **1200m³/h**
- **Sound power (Reg.(EU) n°65/2014): 40dB(A)**, maximum: 64dB(A)
- BRUSHLESS motor. Ultra silent. Maximum energy consumption **130W**
- **High efficiency LED lighting, adjustable intensity**
- Easy-to-install system
- Dishwasher-washable filters
- Stainless steel finishing
- Max. Pressure: 470 Pa
- 150/125 mm outlet diameter
- **Energy Class: A**

Accessories (not included)

Active charcoal filter Cod. 02859398 / EAN 8422248075497

Check valve Cod. 02832004 / EAN 8422248480499

Top tube Cod. 02861301 / EAN 8422248031073





DECORATIVES



800 m³/h
High Efficiency Motor

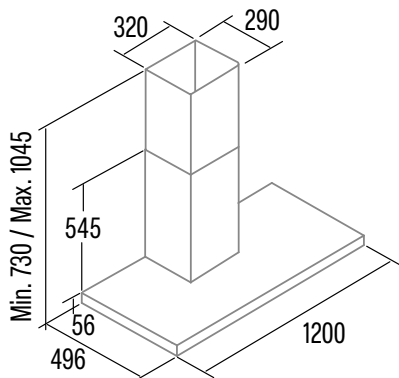
SYGMA 12010 X
Cod. **02132305** EAN **8422248073035**



- **Electronic control Panel** with automatic shut down timer and cleaning filters indicator
- 3 extraction levels, 3 + **1 TURBO**
- Extraction power (according to UNE/EN 61591): **802m³/h** - 340m³/h
- Motor maximum airflow free outlet: **1350m³/h**
- **Sound power (Reg.(EU) n°65/2014): 50dB(A)**, maximum: 67dB(A)
- BT3 motor. Extra silent. Maximum energy consumption **280W**
- **High efficiency Strip LED lighting, adjustable intensity**
- Easy-to-install system
- Dishwasher-washable filters
- Finished in Stainless steel
- Max. Pressure: 470 Pa
- 150/125 mm outlet diameter
- **Energy Class: A**

Accessories (not included)

Active charcoal filter	Cod. 02859398 / EAN 8422248075497
Check valve	Cod. 02832004 / EAN 8422248480499
Top tube	Cod. 02861300 / EAN 8422248016742



800 m³/h
High Efficiency Motor

SYGMA 9010 X
Cod. **02075305** EAN **8422248110051**



SYGMA 7010 X
Cod. **02021310** EAN **8422248110068**



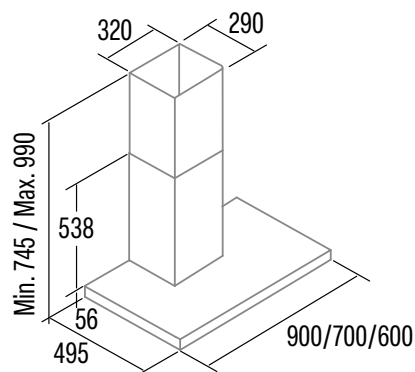
SYGMA 6010 X
Cod. **02060310** EAN **8422248110075**



- **Electronic control Panel** with automatic shut down timer and cleaning filters indicator
- 3 extraction levels, 3 + **1 TURBO**
- Extraction power (according to UNE/EN 61591): **802m³/h** - 340m³/h
- Motor maximum airflow free outlet: **1350m³/h**
- **Sound power (Reg.(EU) n°65/2014): 50dB(A)**, maximum: 67dB(A)
- BT3 motor. Extra silent. Maximum energy consumption **280W**
- **High efficiency Strip LED lighting, adjustable intensity**
- Easy-to-install system
- Dishwasher-washable filters
- Finished in Stainless steel
- Max. Pressure: 470 Pa
- 150/125 mm outlet diameter
- **Energy Class: A**

Accessories (not included)

Active charcoal filter	Cod. 02859398 / EAN 8422248075497
Check valve	Cod. 02832004 / EAN 8422248480499
Top tube	Cod. 02861301 / EAN 8422248031073



DECORATIVES



800 m³/h
High Efficiency Motor

SYGMA 9010 BK
Cod. **02075401** EAN **8422248110082**

NEW

S PLUS 9010 X
Cod. **02029602** EAN **8422248093422**

NEW

SYGMA 7010 BK
Cod. **02021400** EAN **8422248357272**

NEW

S PLUS 7010 X
Cod. **02021602** EAN **8422248093446**

NEW

SYGMA 6010 BK
Cod. **02060400** EAN **8422248357289**

NEW

S PLUS 6010 X
Cod. **02060602** EAN **8422248093453**

NEW



- **Electronic control Panel** with automatic shut down timer and cleaning filters indicator
- 3 extraction levels, 3 + **1 TURBO**
- Extraction power (according to UNE/EN 61591): **802m³/h** - 340m³/h
- Motor maximum airflow free outlet: **1350m³/h**
- **Sound power (Reg.(EU) n°65/2014): 50dB(A)**, maximum: 67dB(A)
- BT3 motor. Extra silent. Maximum energy consumption **280W**
- **High efficiency Strip LED lighting, adjustable intensity**
- Easy-to-install system
- Dishwasher-washable filters
- Finished in black
- Max. Pressure: 470 Pa
- 150/125 mm outlet diameter
- **Energy Class: A**

Accessories (not included)

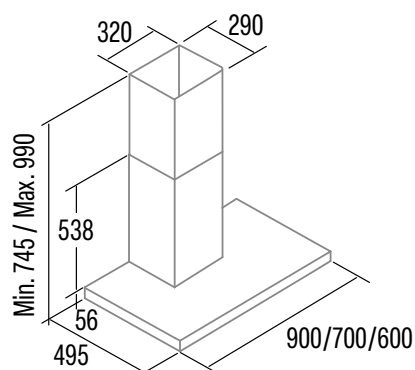
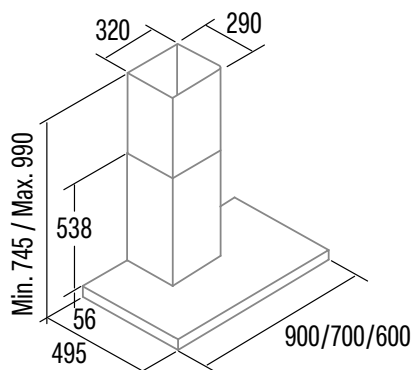
Active charcoal filter Cod. 02859398 / EAN 8422248075497
Check valve..... Cod. 02832004 / EAN 8422248480499



- **Mechanical Control Panel**
- 3 extraction levels
- Extraction power (according to UNE/EN 61591): **637m³/h** - 361m³/h
- Motor maximum airflow free outlet: **1150m³/h**
- **Sound power (Reg.(EU) n°65/2014): 69dB(A)**, maximum: 74dB(A)
- Motor M3R. Extra silent. Maximum energy consumption **270W**
- **High efficiency compact Strip LED lighting**
- Easy-to-install system
- Dishwasher-washable filters
- Finished in Stainless steel
- Max. Pressure 430 Pa
- 150/125 mm Outlet diameter
- Energy Class: C

Accessories (not included)

Active charcoal filter Cod. 02859391 / EAN 8422248001595
Check valve..... Cod. 02832001 / EAN 8422248044677
Top tube Cod. 02861301 / EAN 8422248031073





DECORATIVES



ST-9000 X
Cod. **02029309** EAN **8422248108706**

ST-7000 X
Cod. **02021309** EAN **8422248108690**

ST-6000 X
Cod. **02060309** EAN **8422248108683**



- **Mechanical Control Panel**
- 3 extraction levels
- Extraction power (according to UNE/EN 61591): **302m³/h** - 165m³/h
- Motor maximum airflow free outlet: 360 m³/h
- **Sound power (Reg. (EU) n°65/2014): 58dB(A)**, maximum: 62dB(A)
- Maximum energy consumption **65W**
- **High efficiency compact Strip LED lighting**
- Easy-to-install system
- Dishwasher-washable filters
- Finished in Stainless steel
- Max. Pressure 175 Pa
- 150 mm Outlet diameter
- Energy Class: C

Accessories (not included)

Active charcoal filter..... Cod. 02859495 / EAN 8422248100281



SK 6000 X
Cod. **02060609** EAN **8422248356978**

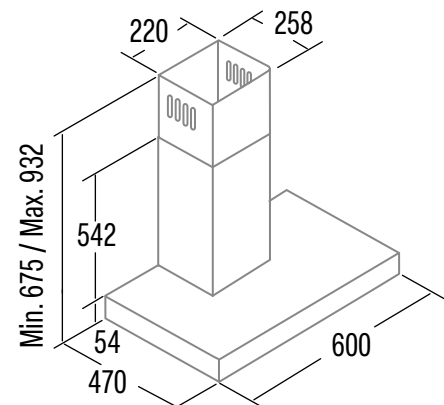
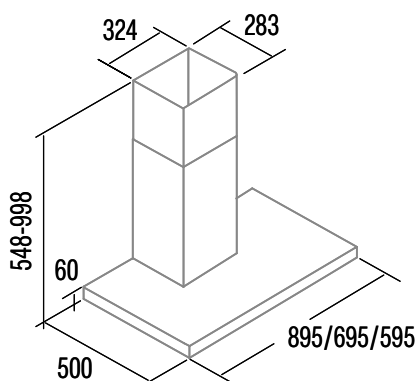


- **Mechanical Control Panel**
- 3 extraction levels
- Extraction power (according to UNE/EN 61591): **440m³/h** - 175 m³/h
- Motor maximum airflow free outlet: 470m³/h
- **Sound power (Reg. (EU) n°65/2014): 52dB(A)**, maximum: 69dB(A)
- K10 Motor. Maximum energy consumption **110W**
- **High efficiency compact Strip LED lighting**
- Easy-to-install system
- Dishwasher-washable filters
- Finished Stainless steel and glass
- Max. Pressure 293 Pa
- 150 mm Outlet diameter
- **Energy Class: A**

Accessories (not included)

Active charcoal filter..... Cod. 02859489 / EAN 8422248356477

Check valve..... Cod. 02832004 / EAN 8422248480499



DECORATIVES



CK 9000 X
Cod. **02008107** EAN **8422248356992**



CK 6000 X
Cod. **02005107** EAN **8422248356985**



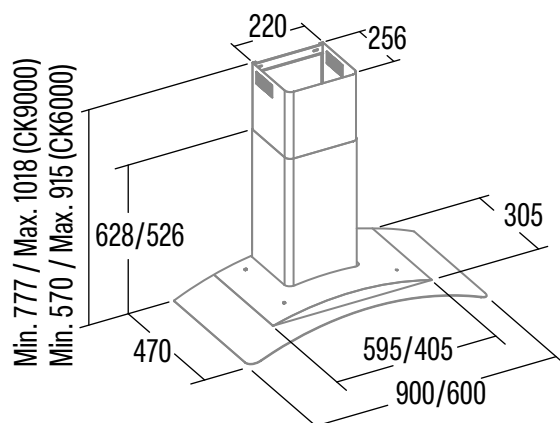
CK 6000 BK
Cod. **02005407** EAN **8422248357005**



- **Mechanical Control Panel**
- 3 extraction levels
- Extraction power (according to UNE/EN 61591): **440m³/h** - 175 m³/h
- Motor maximum airflow free outlet: 470m³/h
- **Sound power (Reg. (EU) n°65/2014): 52dB(A)**, maximum: 69dB(A)
- K10 motor. Maximum energy consumption **110W**
- **High efficiency compact Strip LED lighting**
- Easy-to-install system
- Dishwasher-washable filters
- Finished Stainless steel and glass/ Finished black and glass
- Max. Pressure 293 Pa
- 150 mm Outlet diameter
- Energy Class: A

Accessories (not included)

Active charcoal filter Cod. 02859489 / EAN 8422248358477
Check valve Cod. 02832004 / EAN 8422248480499



CG5-T900 X
Cod. **02008299** EAN **8422248108102**

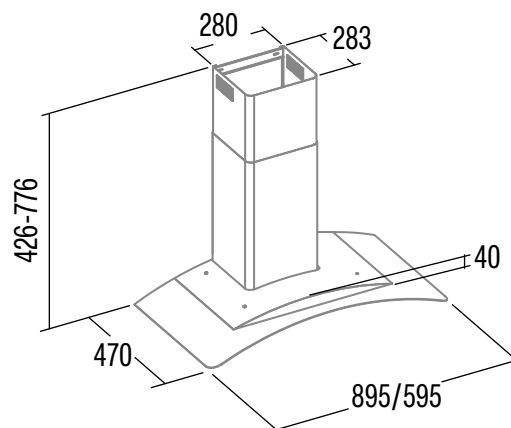
CG5-T600 X
Cod. **02005299** EAN **8422248097413**



- **Mechanical Control Panel**
- 3 extraction levels
- Extraction power (according to UNE/EN 61591): **495m³/h** - 300 m³/h
- Motor maximum airflow free outlet: 517m³/h
- **Sound power (Reg. (EU) n°65/2014): 45dB(A)**, maximum: 66dB(A)
- Maximum energy consumption **120W**
- High efficiency LED lighting
- Easy-to-install system
- Dishwasher-washable filters
- Finished Stainless steel and glass
- Max. Pressure 435 Pa
- 150 mm Outlet diameter
- Energy Class: B

Accessories (not included)

Active charcoal filter Cod. 02859492 / EAN 8422248097697





DECORATIVES



850 m³/h
High Efficiency Motor

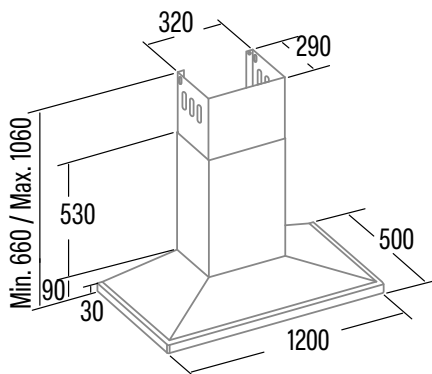
BETA 1200 X
Cod. **02157309** EAN **8422248062299**



- **Electronic control Panel** with automatic shut down timer
- 3 extraction levels, 2 + **1 TURBO**
- Extraction power (according to UNE/EN 61591): **850m³/h** - 340m³/h
- Motor maximum airflow free outlet: 1350 m³/h
- **Sound power (Reg.(EU) n°65/2014): 52dB(A)**, maximum: 67dB(A)
- BT3 motor. Extra silent. Maximum energy consumption **280W**
- **High efficiency LED lighting**
- Easy-to-install system
- Dishwasher-washable filters
- Finished Stainless steel
- Max. Pressure: 470 Pa
- 150/125 mm outlet diameter
- **Energy Class: A**

Accessories (not included)

Active charcoal filter.....	Cod. 02859398 / EAN 8422248075497
Check valve.....	Cod. 02832004 / EAN 8422248480499
Top tube (1200).....	Cod. 02861300 / EAN 8422248016742



850 m³/h
High Efficiency Motor

BETA 900 X
Cod. **02051303** EAN **8422248061827**

BETA 700 X
Cod. **02093303** EAN **8422248061834**

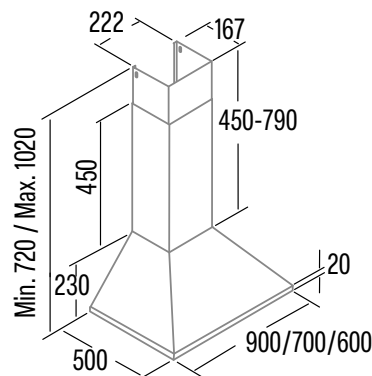
BETA 600 X
Cod. **02050305** EAN **8422248061841**



- **Electronic control Panel** with automatic shut down timer
- 3 extraction levels, 2 + **1 TURBO**
- Extraction power (according to UNE/EN 61591): **850m³/h** - 340m³/h
- Motor maximum airflow free outlet: **1350m³/h**
- **Sound power (Reg.(EU) n°65/2014): 52dB(A)**, maximum: 67dB(A)
- BT3 motor. Extra silent. Maximum energy consumption **280W**
- High efficiency LED lighting
- Easy-to-install system
- Dishwasher-washable filters
- Finished Stainless steel
- Max. Pressure: 470 Pa
- 150/125 mm outlet diameter
- **Energy Class: A**

Accessories (not included)

Active charcoal filter.....	Cod. 02859398 / EAN 8422248075497
Check valve.....	Cod. 02832004 / EAN 8422248480499
Top tube.....	Cod. 02862301 / EAN 8422248031080



DECORATIVES



OMEGA 900 X
Cod. **02004310** EAN **8422248190596**

OMEGA 700 X
Cod. **02003310** EAN **8422248190602**

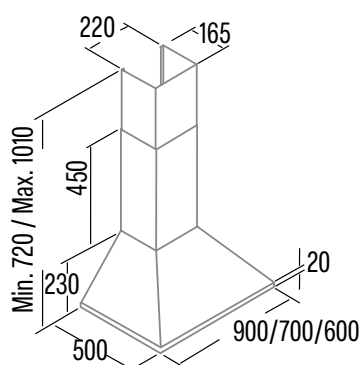
OMEGA 600 X
Cod. **02002310** EAN **8422248109826**



- **Mechanical control panel**
- 3 extraction levels
- Extraction power (according to UNE/EN 61591): **645m³/h** - 385m³/h
- Motor maximum airflow free outlet: **1100m³/h**
- **Sound power (Reg. (EU) n°65/2014): 58dB(A)**, maximum: 72dB(A)
- M3R motor. Extra silent. Maximum energy consumption **270W**
- **High efficiency Compact Strip LED lighting**
- Easy-to-install system
- Dishwasher-washable filters
- Finished in stainless steel
- Max. pressure 430 Pa
- 150/125 mm outlet diameter
- Energy Class: C

Accessories (not included)

Active charcoal filter	Cod. 02859391 / EAN 8422248001595
Check valve	Cod. 02832001 / EAN 8422248044677
Top tube	Cod. 02862301 / EAN 8422248031080



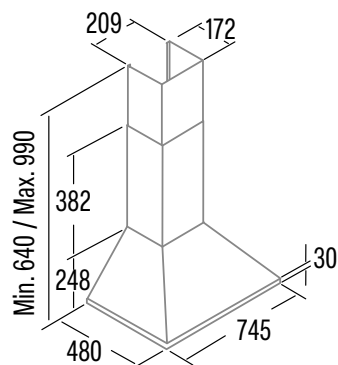
OMEGA 7500 X
Cod. **02003307** EAN **8422248101615**

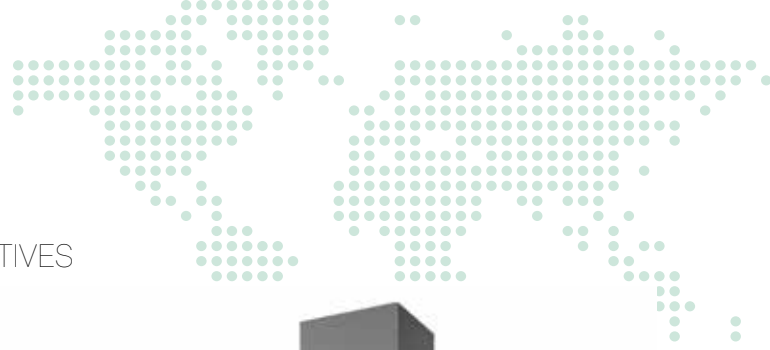


- **Mechanical control panel**
- 3 extraction levels
- Extraction power (according to UNE/EN 61591): **595m³/h** - 410m³/h
- Motor maximum airflow free outlet: **1100m³/h**
- **Sound power (Reg. (EU) n°65/2014): 58dB(A)**, maximum: 68dB(A)
- 1 motor. Maximum energy consumption 200W
- **High efficiency Compact Strip LED lighting**
- Easy-to-install system
- Dishwasher-washable filters
- Finished in Stainless steel
- Max. Pressure: 430 Pa
- 150mm outlet diameter
- Energy Class: A

Accessories (not included)

Active charcoal filter	Cod. 02859492 / EAN 8422248097697
------------------------------	-----------------------------------





DECORATIVES



OMEGA 900 WH
Cod. **02004010** EAN **8422248190619**

OMEGA 700 WH
Cod. **02003010** EAN **8422248190626**

OMEGA 600 WH
Cod. **02002010** EAN **8422248109819**

OMEGA 900 BK
Cod. **02004410** EAN **8422248190633**

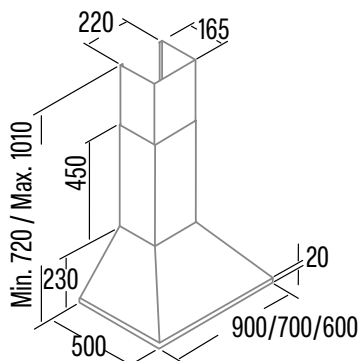
OMEGA 600 BK
Cod. **02002410** EAN **8422248109833**



- **Mechanical control panel**
- 3 extraction levels
- Extraction power (according to UNE/EN 61591): **645m³/h** - 385m³/h
- Maximum air flow: **1100m³/h**
- **Sound power (Reg.(EU) n°65/2014): 58dB(A)**, maximum: 72dB(A)
- M3R motor. Extra silent. Maximum energy consumption 270W
- **High efficiency compact Strip LED lighting**
- Easy-to-install system
- Dishwasher-washable filters
- Finished in white
- Max. pressure 430 Pa
- 150/125 mm outlet diameter
- Energy Class: C

Accessories (not included)

Active charcoal filter.....	Cod. 02859391 / EAN 8422248001595
Check valve.....	Cod. 02832001 / EAN 8422248044677
Top tube	Cod. 02862000 / EAN 8422248020428.....



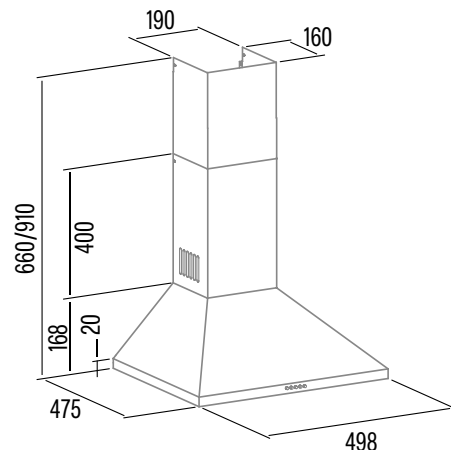
V-500 X
Cod. **02088303** EAN **8422248087315**



- **Mechanical control panel**
- 3 extraction levels
- Extraction power (according to UNE/EN 61591): **420m³/h** - 210m³/h
- Maximum airflow free outlet: **750m³/h**
- **Sound power (Reg.(EU) n°65/2014): 53dB(A)**, maximum: 65dB(A)
- 1 Motor. Extra silent. Maximum energy consumption **95W**
- **High efficiency LED E-14 lighting**
- Easy-to-install system
- Dishwasher-washable filters
- Finished in stainless steel
- Max. pressure 200 Pa
- 150/125 mm outlet diameter
- Energy Class: C

Accessories (not included)

Active charcoal filter.....	Cod. 02859394 / EAN 8422248038782.....
Top tube	Cod. 028663304 / EAN 8422248106788.....



DECORATIVES



VK 6000 X
Cod. **02061606** EAN **8422248357012**

NEW

VK 6000 BK
Cod. **02061405** EAN **8422248357074**

NEW

VK 6000 WH
Cod. **02061105** EAN **8422248357081**

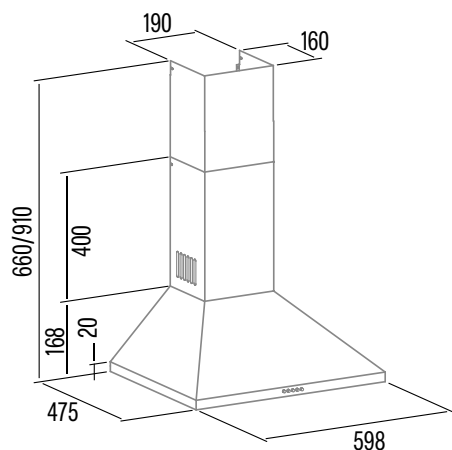
NEW



- **Mechanical Control Panel**
- 3 extraction levels
- Extraction power (according to UNE/EN 61591): **455m³/h** - 175m³/h
- Motor maximum airflow free outlet: 470 m³/h
- **Sound power (Reg.(EU) n°65/2014): 49dB(A)**, maximum: 68dB(A)
- K10 motor. Maximum energy consumption **110W**
- **High efficiency compact Strip LED lighting**
- Easy-to-install system
- Dishwasher-washable filters
- Finished Stainless steel/black/white
- 150mm Outlet diameter
- **Energy Class: A**

Accessories (not included)

Active charcoal filter..... Cod. 02859489/ EAN 8422248358477
Check valve..... Cod. 02832004 / EAN 8422248480499



V3-T900 X
Cod. **02063399** EAN **8422248095303**

V3-T600 X
Cod. **02061399** EAN **8422248095273**

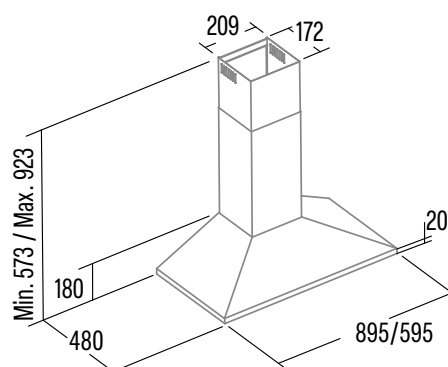
V3-T600 WH
Cod. **02061799** EAN **8422248110198**



- **Mechanical control panel**
- 3 extraction levels
- Extraction power (according to UNE/EN 61591): **335m³/h** - 166m³/h
- Maximum airflow free outlet: **360m³/h**
- **Sound power (Reg.(EU) n°65/2014): 51dB(A)**, maximum: 66dB(A)
- 1 Motor. Extra silent. Maximum energy consumption **65W**
- **High efficiency compact Strip LED lighting**
- Easy-to-install system
- Dishwasher-washable filters
- Finished in stainless steel
- Max. pressure 132 Pa
- 150 mm outlet diameter
- Energy Class: B

Accessories (not included)

Active charcoal filter..... Cod. 02859497/ EAN 8422248108065





Q-7790 BK
Cod. **02149402** EAN **8422248084161**

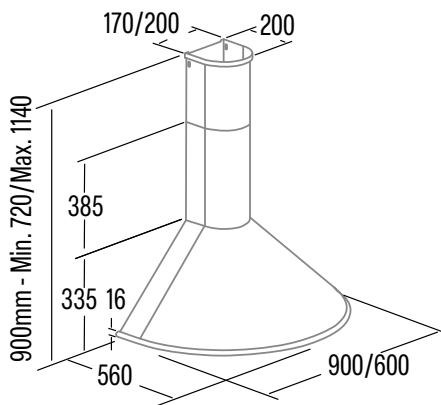
Q-7760 BK
Cod. **02148402** EAN **8422248084178**



- **Mechanical control panel**
- 3 extraction levels
- Extraction power (according to UNE/EN 61591): **645m³/h** - 385m³/h
- Maximum airflow free outlet: **1150m³/h**
- **Sound power (Reg. (EU) n°65/2014): 58dB(A)**, maximum: 72dB(A)
- M3R motor. Extra silent. Maximum energy consumption **270W**
- **High efficiency LED lighting**
- Easy-to-install system
- Dishwasher-washable filters
- Finished in black
- Max. pressure 430 Pa
- 150/125 mm outlet diameter
- Energy Class: C

Accessories (not included)

Active charcoal filter.....	Cod. 02889391 / EAN 8422248001595
Check valve.....	Cod. 02832001 / EAN 8422248044677
Top tube 60 BK.....	Cod. 02883400 / EAN 8422248096172
Top tube 90 BK.....	Cod. 02885400 / EAN 8422248086196



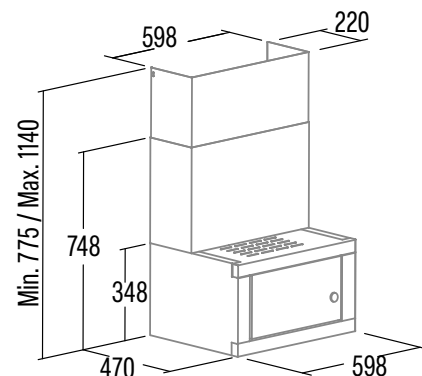
CHORUS XBK
Cod. **02165201** EAN **8422248055529**



- **Mechanical Control Panel**
- 3 extraction levels
- Extraction power (according to UNE/EN 61591): 400m³/h - 210m³/h
- Motor maximum airflow free outlet: 620 m³/h
- **Minimum sound power: 50dB(A)**, maximum: 62dB(A)
- Motor K7 PLUS. Extra silent. Maximum energy consumption **95W**
- **High efficiency LED lighting**
- Easy-to-install system
- Dishwasher-washable filters
- Finished in Stainless steel
- Max. Pressure 200 Pa
- 150/125 mm outlet diameter
- Energy Class: C
- **MICROWAVE FEATURES**
- 20 litre microwave
- Simultaneous 1,000 W quartz grill
- Five power levels, 700 W output
- Revolving dish ø 255 mm
- Timer from 0 to 95 minutes
- Automatic defrosting by time and weight
- 9 automatic access menus
- Fast start button
- Safety lock
- Finished in Black and white glass
- 60cm wide
- Inner measurements: 182 x 315 x 280 mm (high x wide x deep)

Accessories (not included)

Active charcoal filter.....	Cod. 02859394 / EAN 8422248038782
Check valve.....	Cod. 02832004 / EAN 8422248480499







INTEGRATIONHOODS



TENTA 90 GWH

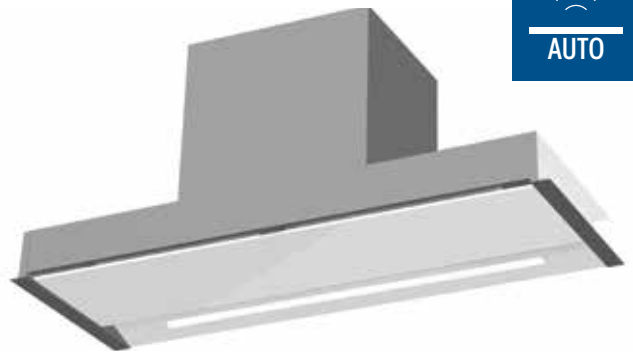
Cod. **02189005** EAN **8422248093729**



- **Touch Control Panel** with digital display, automatic shut-down timer and cleaning filters indicator
- **AUTO connectivity with automatic control from the CATA hob**
- 6 extraction levels, 5 + **1 TURBO**
- Extraction power (according to UNE/EN 61591): **765m³/h** - 245m³/h
- Motor maximum airflow free outlet: 1400 m3/h
- **Sound power (Reg.(EU) n°65/2014): 46dB(A)**, maximum: 63dB(A)
- BRUSHLESS motor. Ultra silent. Maximum energy consumption **135W**
- **High-efficiency lighting by intensity-adjustable two-tone warm / natural LED STRIP**
- Easy-to-install system
- Dishwasher-washable filters
- Glass visor furniture protection and **opening for intensive use**
- White glass finishing
- Max. Pressure: 357 Pa
- 150/125 mm outlet diameter
- **Energy Class: A+**

Accessories (not included)

Active charcoal filter.....	Cod. 02859318 / EAN 8422248098472
Check valve.....	Cod. 02832008 / EAN 8422248086837

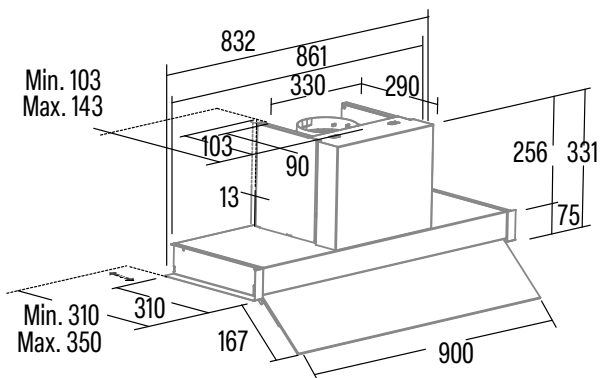


For furniture with boards from 16 to 19 mm and hulls from 310 to 350 mm deep



Front glass visor with opening for intensive use and furniture protection

Touch control with easy-access digital display and furniture protection



INTEGRATIONHOODS



5 SPEEDS + TURBO



TOUCH CONTROL WITH EASY ACCESS AND HANDLING
DIGITAL DISPLAY

EASY INSTALLATION GUIDES FOR
ACCOUNTING FURNITURE FROM
16 TO 19 MM THICK AND HELMETS
FROM 310 TO 350 MM DEPTH



ALARM CLEANING OF METAL FILTER



ALARM CHANGE OF ACTIVE CARBON FILTER

FRONT GLASS VISOR FOR TOTAL
PROTECTION OF THE FURNITURE
AND MAXIMUM COVERAGE OF THE
COOKING PLATE

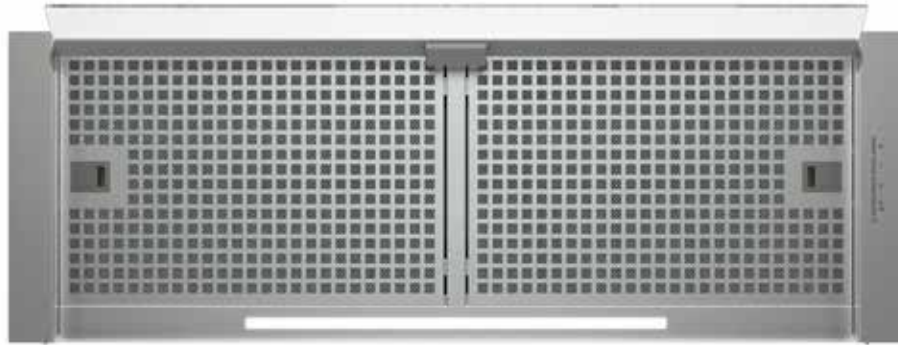
INTENSITY-ADJUSTABLE TWO-TONE
WARM / NATURAL LED STRIP

PROTECTION OF ALL THE
CORNERS OF THE FURNITURE



AUTO CONNECTIVITY WITH AUTOMATIC
CONTROL FROM THE CATA HOB

INTEGRATIONHOODS



850 m³/h
High Efficiency Motor

CORONA X 120
Cod. **02181308** EAN **8422248110556**

CORONA X 100
Cod. **02180308** EAN **8422248198547**

CORONA X 90
Cod. **02189308** EAN **8422248110549**

CORONA X 80
Cod. **02188308** EAN **8422248110532**

CORONA X 70
Cod. **02187308** EAN **8422248110525**

CORONA X 60
Cod. **02186308** EAN **8422248110518**

CORONA BK 90
Cod. **02189400** EAN **8422248348782**



CORONA BK 60
Cod. **02186400** EAN **8422248198257**

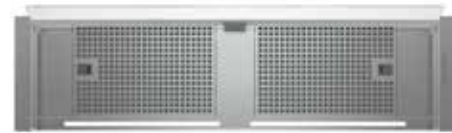
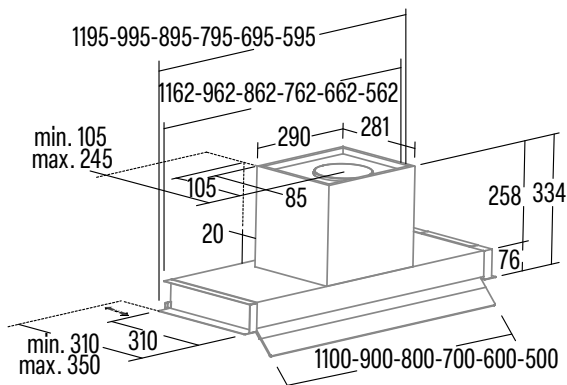
CORONA WH 60
Cod. **02186010** EAN **8422248355216**



- **Electronic Control Panel** with digital display automatic shut-down timer
- 4 extraction levels, 3 + 1 **TURBO**
- Extraction power (according to UNE/EN 61591): **850m³/h** - 340m³/h
- Motor maximum airflow free outlet: **1350m³/h**
- **Sound power (Reg.(EU) n°65/2014): 50dB(A)**, maximum: 67dB(A)
- BT3 motor. Ultra silent. Maximum energy consumption **280W**
- **High efficiency strip LED lighting**
- Easy-to-install system
- Fully stainless steel washable dishwasher filters
- **Glass Visor**
- Stainless steel finishing
- Max. Pressure: 470 Pa
- 150/125 mm outlet diameter
- **Energy Class: A**

Accessories (not included)

Active charcoal filter.....	Cod. 02859398 / EAN 8422248075497
Check valve.....	Cod. 02832004 / EAN 8422248490499
Duct cover.....	Cod. 02861306 / EAN 8422248109949



CORONA X 120



CORONA X 100



CORONA X 90



CORONA X 80



CORONA X 70



CORONA X 60



CORONA BK 90



CORONA BK 60



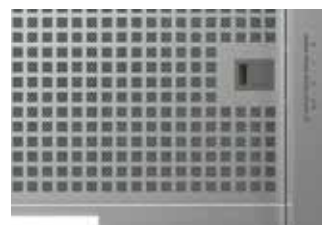
CORONA WH 60



For furniture with panels from 16 to 19 mm



New multiposition hinge



Premium filters panelLED with large suction surface

Examples of installation with new tube cover accessories



CUPBOARD 60 x 76.8 cm
2 shelves, 1 accessory



CUPBOARD 60 x 89,6 cm
2 shelves, 2 accessories



CUPBOARD 60 x 89,6 cm
3 shelves, 1 accessory



CUPBOARD 60 x 96 cm
2 shelves, 2 accessories

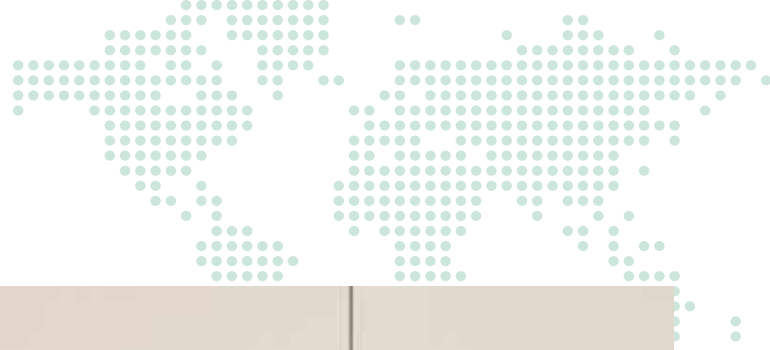
New tube cover accessory for CORONA 60, available in stainless steel or black



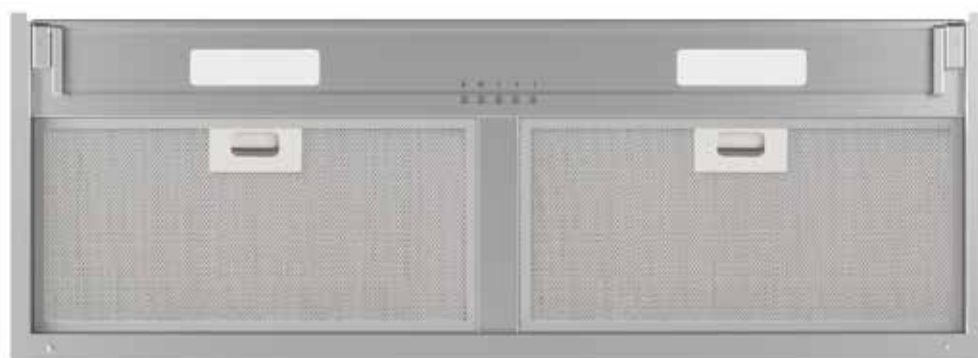
Cod. **02861306** EAN **8422248109949**



Cod. **02861307** EAN **8422248344371**



INTEGRATIONHOODS



ARMONIA 90 X
Cod. **02189309** EAN **8422248110587**

ARMONIA 80 X **NEW**
Cod. **02188309** EAN **8422248356022**

ARMONIA 70 X **NEW**
Cod. **02187309** EAN **8422248351928**

ARMONIA 60 X
Cod. **02186309** EAN **8422248110570**

ARMONIA 45 X
Cod. **02184309** EAN **8422248110563**

ARMONIA 70 BK **NEW**
Cod. **02187409** EAN **8422248356015**

ARMONIA 60 BK **NEW**
Cod. **02186409** EAN **8422248355995**



- **Mechanical control panel**
- 3 extraction levels
- Extraction power (according to UNE/EN 61591): **645m³/h** - 385m³/h
- Motor maximum airflow free outlet: **1150m³/h**
- **Sound power (Reg.(EU) n°65/2014): 56dB(A)**, maximum: 70dB(A)
- M3R motor. Ultra silent. Maximum energy consumption **270W**
- **High efficiency compact STRIP LED lighting**
- Easy-to-install system
- Dishwasher-washable filters
- **Glass Visor**
- Stainless steel finishing
- Max. Pressure: 430 Pa
- 150/125 mm outlet diameter
- Energy Class: C

Accessories (not included)

Active charcoal filter (90/60cm) Cod. 02859398 / EAN 8422248075497
 Active charcoal filter (45cm) Cod. 02859391 / EAN 8422248001595
 Check valve Cod. 02832001 / EAN 8422248044677



For furniture with panels from 16 to 19 mm



Glass visor furniture protection



Great suction surface



ARMONIA 90 X



ARMONIA 80 X



ARMONIA 70 X



ARMONIA 60 X



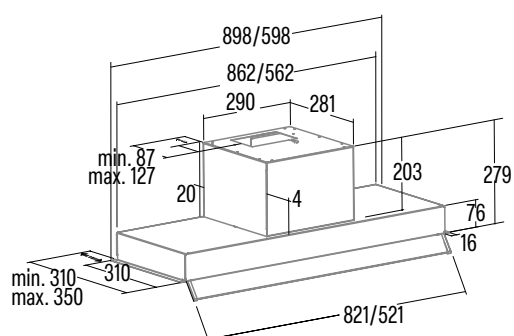
ARMONIA 45 X



ARMONIA 70 BK



ARMONIA 60 BK





GC DUAL Folding panel perimeter extraction

DUAL concept: Brings together the advantages of a flush-mounted unit and a conventional hood. It can work with the glass closed or open.

Glass closed:

The hood is completely invisible from the front.

In this position, the perimeter suction effect occurs, reducing noise and promoting suction at the perimeters.

Greater visibility of the cooking plane.

The anti-grease filters are hidden.

Recommended position for gentle or medium cooking with 1 or 2 cooking zones and for long periods.



Glass open:

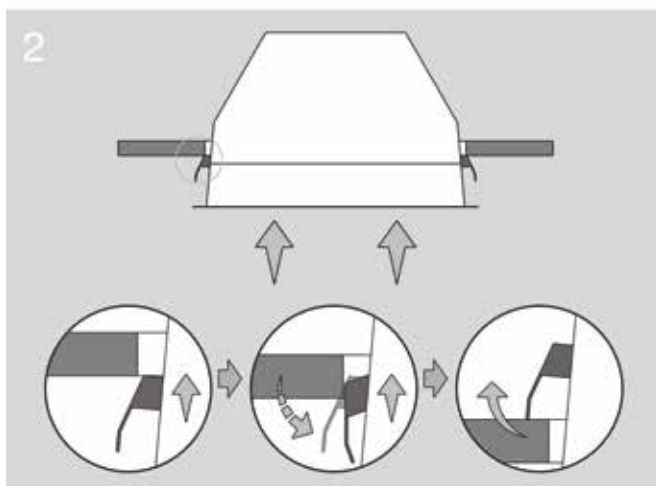
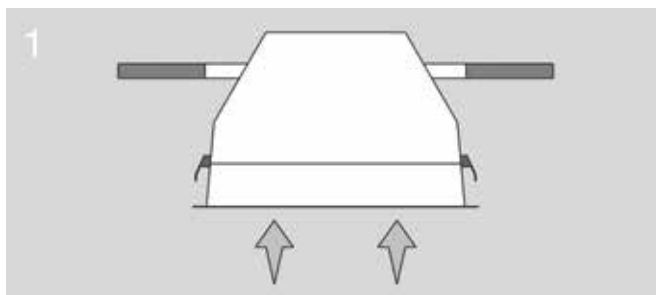
Allows greater vision and use of the controls.

The suction coverage area is expanded to the front of the cooking hob.

Protection of the front of the kitchen unit from steam and smoke.

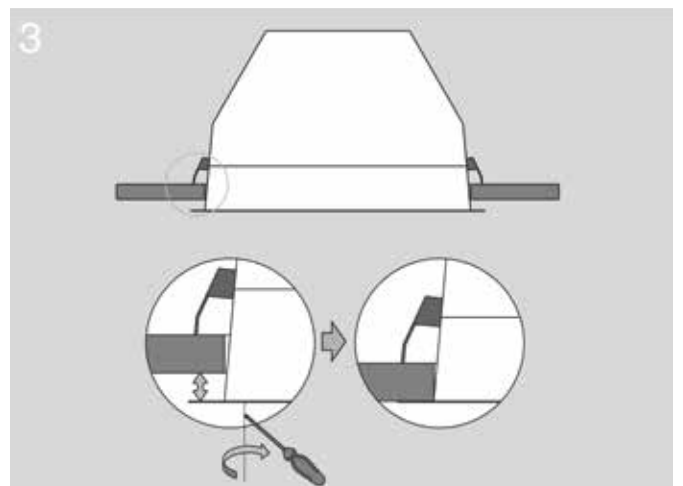
More direct suction.

Recommended position for intensive cooking or use of 3 or 4 cooking zones at the same time.



Easy to install

CATA offers an exclusive, innovative system making the hood easier to install and allowing it to be fitted very easily, with great precision, by just one person. New, convenient, ergonomic anchoring system, offering an excellent end result.



INSERTS



High Efficiency Motor

GC DUAL 75 WH
Cod. **02131207** EAN **8422248078313**

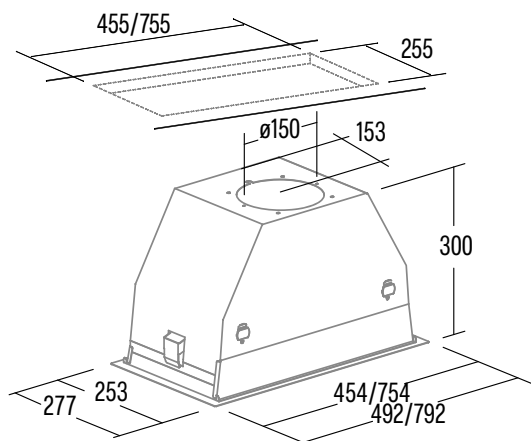
GC DUAL 45 WH
Cod. **02130207** EAN **8422248078290**



- Touch Control Panel with automatic shut-down timer and cleaning filters indicator
- Perimeter extraction with **dual swing panel**
- 4 extraction levels, 3 + 1 **TURBO**
- Extraction power (according to UNE/EN 61591): **820m³/h** - 340m³/h
- Motor maximum airflow free outlet: **1350m³/h**
- **Sound power (Reg.(EU) n°65/2014): 50dB(A)**, maximum: 65dB(A)
- BT3 motor. Extra silent. Maximum energy consumption **280W**
- **High efficiency LED lighting, adjustable intensity**
- Easy-to-install system
- Dishwasher-washable filters
- Finished in White glass
- Max. Pressure: 470 Pa
- 150 mm outlet diameter
- **Energy Class: A**

Accessories (not included)

Active charcoal filter..... Cod. 02859398 / EAN 8422248075497
Check valve..... Cod. 02832004 / EAN 8422248480499



High Efficiency Motor

GC DUAL 75 BK
Cod. **02131208** EAN **8422248078320**

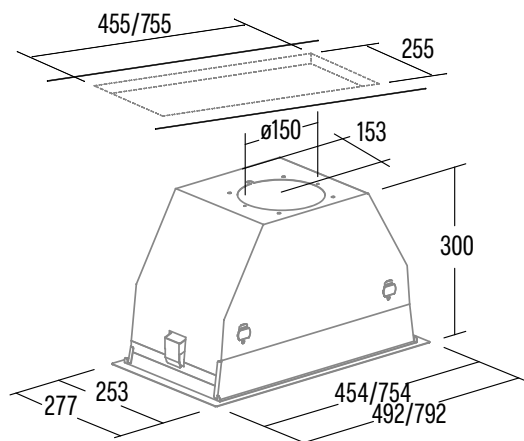
GC DUAL 45 BK
Cod. **02130208** EAN **8422248078306**



- Touch Control Panel with automatic shut-down timer and cleaning filters indicator
- Perimeter extraction with **dual swing panel**
- 4 extraction levels, 3 + 1 **TURBO**
- Extraction power (according to UNE/EN 61591): **820m³/h** - 340m³/h
- Motor maximum airflow free outlet: **1350m³/h**
- **Sound power (Reg.(EU) n°65/2014): 50dB(A)**, maximum: 65dB(A)
- BT3 motor. Extra silent. Maximum energy consumption **280W**
- **High efficiency LED lighting, adjustable intensity**
- Easy-to-install system
- Dishwasher-washable filters
- Finished in Black glass
- Max. Pressure: 470 Pa
- 150 mm outlet diameter
- **Energy Class: A**

Accessories (not included)

Active charcoal filter..... Cod. 02859398 / EAN 8422248075497
Check valve..... Cod. 02832004 / EAN 8422248480499





INSERTS



Perimeter Extraction
High Efficiency Motor

GCX 83 SD
Cod. **02031308** EAN **8422248103589**

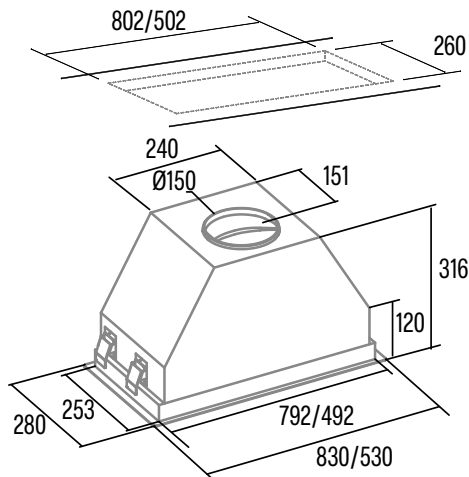
GCX 53 SD
Cod. **02030308** EAN **8422248103572**



- **Touch Control Panel** with automatic shut-down timer and cleaning filters indicator
- 4 extraction levels, 3 + 1 **TURBO**
- **1st speed silent mode**
- Extraction power (according to UNE/EN 61591): **750m³/h** - 340m³/h
- Motor maximum airflow free outlet: **1350m³/h**
- **Sound power (Reg.(EU) n°65/2014): 50dB(A)**, maximum: 65dB(A)
- BT3 motor. Extra silent. Maximum energy consumption **280W**
- **High efficiency strip LED lighting**
- Easy-to-install system
- Dishwasher-washable filters
- Stainless steel finishing and grey glass
- Max. Pressure: 470 Pa
- 150/125 mm outlet diameter
- **Energy Class: A**

Accessories (not included)

Active charcoal filter Cod. 02859398 / EAN 8422248075497
Check valve Cod. 02832004 / EAN 8422248480499



Perimeter Extraction
High Efficiency Motor

GPL 75 X
Cod. **02031304** EAN **8422248198486**

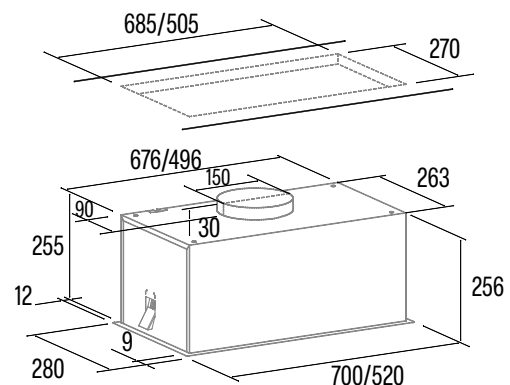
GPL 52 X
Cod. **02030304** EAN **8422248198479**



- **Electronic Control Panel with timer**
- 3 extraction levels
- Extraction power (according to UNE/EN 61591): **591m³/h** - 252m³/h (GPL 75X)
- Extraction power (according to UNE/EN 61591): **589m³/h** - 249m³/h (GPL 52X)
- Motor maximum airflow free outlet: **900m³/h**
- **Sound power (Reg.(EU) n°65/2014): 50dB(A)** (GPL 75X) / **49dB(A)** (GPL 52X), maximum: 67dB(A)
- Extra silent motor. Maximum energy consumption **205W**
- **High efficiency Strip LED lighting**
- Easy-to-install system
- Dishwasher-washable filters
- Stainless steel finishing and grey glass
- Max. Pressure: 410 Pa
- 150/125 mm outlet diameter
- **Energy Class: B**

Accessories (not included)

Active charcoal filter Cod. 02859400 / EAN 8422248344906
Check valve Cod. 02832004 / EAN 8422248480499



INSERTS



High Efficiency Motor

GL 75 X
Cod. **02031302** EAN **8422248190411**



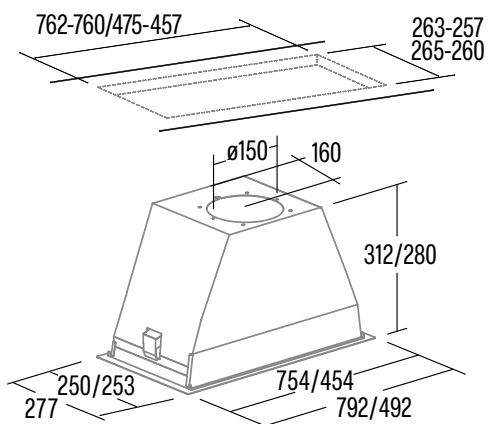
GL 45 X
Cod. **02030305** EAN **8422248077842**



- **Touch Control Panel** with automatic shut-down timer and cleaning filters indicator
- 4 extraction levels, 3 + 1 TURBO
- Extraction power (according to UNE/EN 61591): **820m³/h** - 340m³/h
- Motor maximum airflow free outlet: **1350m³/h**
- **Sound power (Reg.(EU) n°65/2014): 50dB(A)**, maximum: 65dB(A)
- BT3 motor. Extra silent. Maximum energy consumption **280W**
- **High efficiency LED lighting, adjustable intensity**
- Easy-to-install system
- Dishwasher-washable filters
- Finished in Stainless steel
- Max. Pressure: 470 Pa
- 150/125 mm Outlet diameter
- **Energy Class: A**

Accessories (not included)

Active charcoal filter..... Cod. 02869398 / EAN 8422248075497
Check valve..... Cod. 02832004 / EAN 8422248480499



High Efficiency Motor

GT-PLUS 75 X
Cod. **02031301** EAN **8422248190381**



GT-PLUS 45 X
Cod. **02030309** EAN **8422248190374**



GT-PLUS 45 BK
Cod. **02030408** EAN **8422248190404**



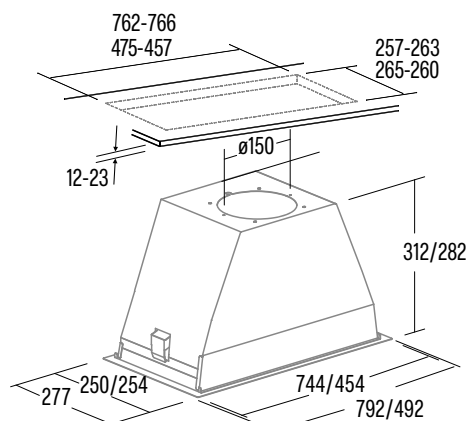
GT-PLUS 45 WH
Cod. **02030005** EAN **8422248190398**



- **Mechanical Control Panel**
- 3 extraction levels
- Extraction power (according to UNE/EN 61591): **645m³/h** - 300m³/h
- Motor maximum airflow free outlet: **1200m³/h**
- **Sound power (Reg.(EU) n°65/2014): 50dB(A)**, maximum: 65dB(A)
- BT2 motor. Extra silent. Maximum energy consumption **200W**
- **High efficiency compact Strip LED lighting**
- Easy-to-install system
- Dishwasher-washable filters
- Finished in Stainless steel, white or black
- Max. Pressure: 400 Pa
- 150/125 mm Outlet diameter
- Energy Class: C

Accessories (not included)

Active charcoal filter..... Cod. 02859398 / EAN 8422248075497
Check valve..... Cod. 02832004 / EAN 8422248480499





INSERTS



GCB 73 X

Cod. **02031300** EAN **8422248108461**

GCB 55 X

Cod. **02030300** EAN **8422248108454**



- **Mechanical Control Panel**
- 3 extraction levels
- Extraction power (according to UNE/EN 61591): **372m³/h** - 283m³/h
- Motor maximum airflow free outlet: **620m³/h**
- **Sound power (Reg. (EU) n°65/2014): 60dB(A)**, maximum: 66dB(A)
- 1 motor. Maximum energy consumption **120W**
- **High efficiency compact strip LED lighting**
- Easy-to-install system
- Dishwasher-washable filters
- Finished in Stainless steel
- Max. Pressure: 226 Pa
- 150/125 mm Outlet diameter
- Energy Class: C

Accessories (not included)

Active charcoal filter..... Cod. 02869500 / EAN 8422248109215



G 50 LUX X

Cod. **02130302** EAN **8422248082716**

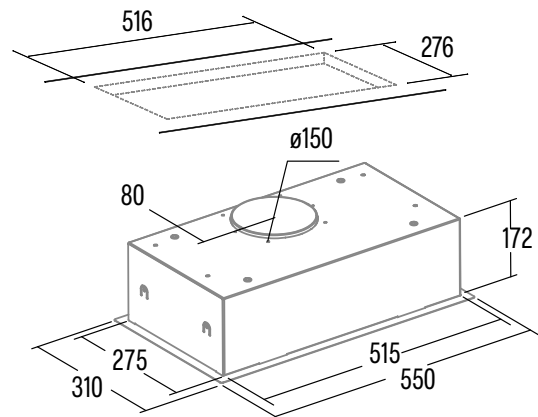
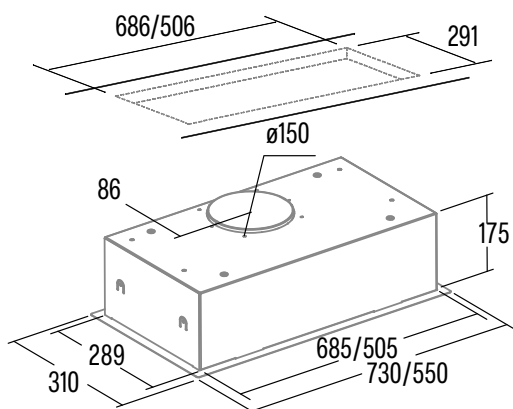


- **Mechanical Control Panel**
- 3 extraction levels
- Extraction power (according to UNE/EN 61591): **400m³/h** - 210m³/h
- Motor maximum airflow free outlet: **620m³/h**
- **Sound power (Reg. (EU) n°65/2014): 50dB(A)**, maximum: 62dB(A)
- K7 PLUS motor. Extra silent. Maximum energy consumption **95W**
- **High efficiency LED lighting**
- Easy-to-install system
- Dishwasher-washable filters
- Finished in Stainless steel
- Max. Pressure: 200 Pa
- 150/125 mm Outlet diameter
- Energy Class: C

Accessories (not included)

Active charcoal filter..... Cod. 02825263 / EAN 8422248006552

Check valve..... Cod. 02849003 / EAN 8422248044653



INSERTS

INSERTS



G-45 X

Cod. **02039305** EAN **8422248087377**

G-45 WH

Cod. **02039005** EAN **8422248087384**



- **Slider Control Panel**
- 2 extraction levels
- Extraction power (according to UNE/EN 61591): **390m³/h** - 150m³/h
- Motor maximum airflow free outlet: **620m³/h**
- **Sound power (Reg.(EU) n°65/2014): 45dB(A)**, maximum: 57dB(A)
- Tangential motor. Extra silent. Maximum energy consumption **100W**
- **LED E-14 lighting**
- Easy-to-install system.
- Dishwasher-washable filters
- Finished in Stainless Steel or white
- Max pressure. 194 Pa
- 120 mm Outlet diameter
- Energy Class: C

GK 4500 X

Cod. **02039306** EAN **8422248357135**

GK 4500 WH

Cod. **02039007** EAN **8422248357142**



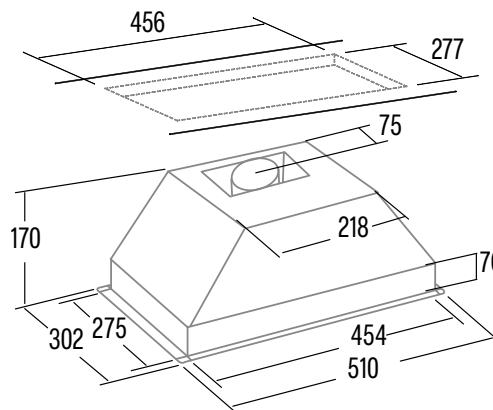
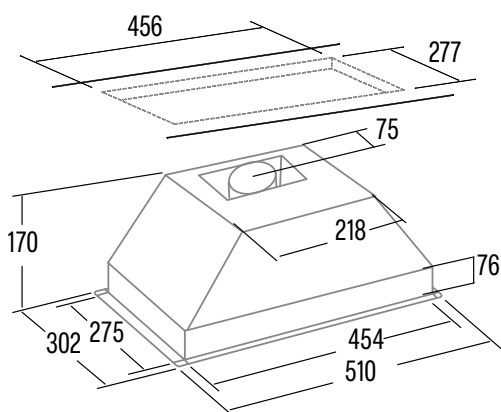
- **Slider Control Panel**
- 2 extraction levels
- Extraction power (according to UNE/EN 61591): **360m³/h** - 186m³/h
- Motor maximum airflow free outlet: **620m³/h**
- **Sound power (Reg.(EU) n°65/2014): 56dB(A)**, maximum: 67dB(A)
- Tangential motor. Extra silent. Maximum energy consumption **95W**
- **LED E-14 lighting**
- Easy-to-install system.
- Dishwasher-washable filters
- Finished in Stainless Steel or white
- Max pressure. 252 Pa
- 120 mm Outlet diameter
- Energy Class: B

Accessories (not included)

Active charcoal filter..... Cod. 02825263 / EAN 8422248006552.....
Check valve..... Cod. 02849003 / EAN 8422248044653

Accessories (not included)

Active charcoal filter..... Cod. 02825263 / EAN 8422248006552.....
Check valve..... Cod. 02849003 / EAN 8422248044653





TELESCOPIC



TFH 6830 X
Cod. **02010601** EAN **8422248112741**



TFH 6830 GWH
Cod. **02010101** EAN **8422248112758**



TFH 6830 GBK
Cod. **02010404** EAN **8422248357364**



- **Touch Control Panel** with digital display, automatic shut-down timer and cleaning filters indicator
- 6 extraction levels, 5 + **1 TURBO**
- Extraction power (according to UNE/EN 61591): **795m³/h** - 291m³/h
- Motor maximum airflow free outlet: **1200m³/h**
- **Sound power (Reg.(EU) n°65/2014): 46dB(A)**, maximum: 64dB(A)
- BRUSHLESS motor. Ultra silent. Maximum energy consumption **135W**
- **High efficiency Strip LED lighting adjustable intensity**
- Easy-to-clean inner panel
- Easy-to-install system
- Dishwasher-washable filters
- Finished in stainless steel / white glass / black glass
- Max. Pressure: 365 Pa
- 150/125 mm outlet diameter
- **Energy Class: A+++**

Accessories (not included)

Active charcoal filter Cod. 02859318 / EAN 8422248098472
Check valve Cod. 02832004 / EAN 8422248480499



TFH 6630 X
Cod. **02010300** EAN **8422248082365**

TFH 6630 BK
Cod. **02010302** EAN **8422248082402**

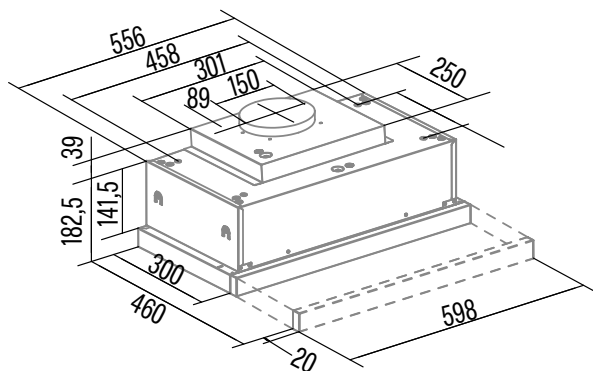
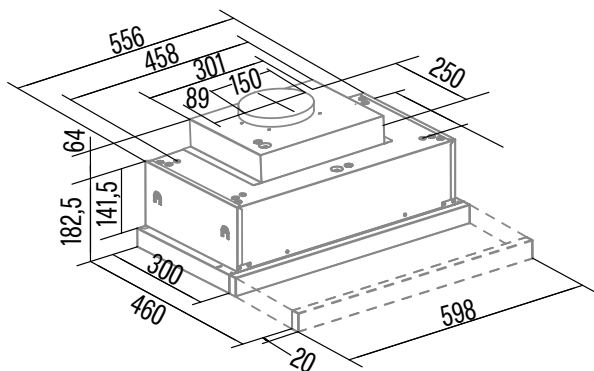
TFH 6630 WH
Cod. **02010301** EAN **8422248082396**



- **Touch Control Panel** with digital display, automatic shut-down timer and cleaning filters indicator
- 6 extraction levels, 5 + **1 TURBO**
- Extraction power (according to UNE/EN 61591): **605m³/h** - 210m³/h
- Motor maximum airflow free outlet: **1000m³/h**
- **Sound power (Reg.(EU) n°65/2014): 47dB(A)**, maximum: 64dB(A)
- BRUSHLESS motor. Extra silent. Maximum energy consumption **90W**
- **High efficiency Strip LED lighting adjustable intensity**
- Easy-to-install system
- **Stainless steel base and paneLED filters washable in dishwasher** (TFH 6630 X)
- Finished in white / black / stainless steel
- Max. Pressure: 315 Pa
- 150/125 mm Outlet diameter
- **Energy Class: A+**

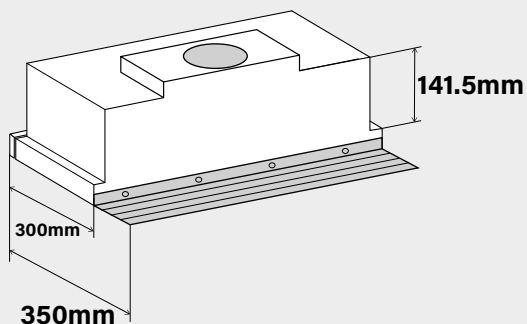
Accessories (not included)

Active charcoal filter Cod. 02859394 / EAN 8422248038782
Check valve Cod. 02832004 / EAN 8422248480499



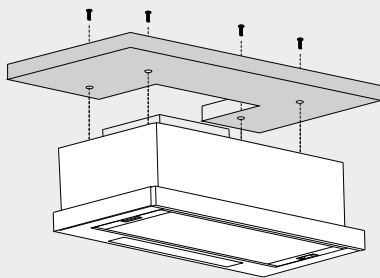
INSTALLATION TFH

Compact drawer in 140mm height and depth 300mm adjustable up to **350mm** with accessory included

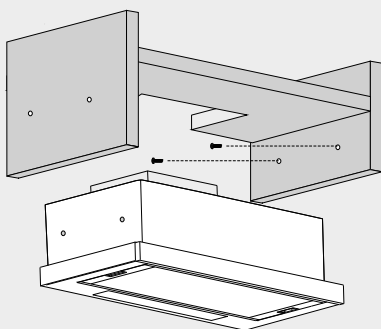


Multiple installation possibilities in a single hood with Universal fixings for replacement.

Top shelf fixing

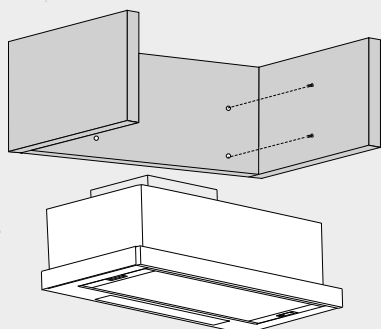


Lateral Fixation



Rear Fixation

No possibility of regulation in deep.



CONTROL TC TFH6i

Touch control for telescopes with digital display.

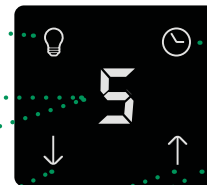
LIGHTING CONTROL
Adjusting the desired light intensity.



RECIRCULATION
Active charcoal filter change warning.



CLEAN FILTERS
Metal filter cleaning warning.



MOTOR CONTROL

Precise adjustment of motor speed of 5 speeds + TURBO.

TURBO

Direct TURBO activation by pressing and holding to eliminate excess smoke and odors immediately.

TIMER

Turn off the light and engine progressively after a few minutes to ensure odor and smoke removal after cooking.

AUTO ON

Extending the front panel activates the motor and light as per the last hood usage conditions.

REPLACEABLE FRONT INSTALATON



AUTO OFF

Closing the front panel starts the TIMER process and turns off the light and the motor progressively after a few minutes to ensure smoke and odor removal after cooking.



TELESCOPIC



A+ POWER+ SILENT
BRUSHLESS motor

TFH 6430 X
Cod. **02010609** EAN **8422248343626**

NEW

TFH 6430 GBK
Cod. **02010409** EAN **8422248343602**

NEW

TFH 6430 GWH
Cod. **02010009** EAN **8422248343619**

NEW

TF-2003 600 GBK
Cod. **02017203** EAN **8422248062015**

TF-2003 600 GWH
Cod. **02017202** EAN **8422248062008**



- **Touch Control Panel** with digital display, automatic shut-down timer and cleaning filters indicator
- 4 extraction levels, 3 + **1 TURBO**
- Extraction power (according to UNE/EN 61591): **391m³/h** - 164m³/h
- Motor maximum airflow free outlet: **1000m³/h**
- **Sound power (Reg.(EU) n°65/2014): 44dB(A)**, maximum: 62dB(A)
- BRUSHLESS motor. Extra silent. Maximum energy consumption **53W**
- **High efficiency Strip LED lighting adjustable intensity**
- Easy-to-install system
- **Stainless steel base and panelLED filters washable in dishwasher**
- Finished in white / black / stainless steel
- Max. Pressure: 362 Pa
- 150/125 mm Outlet diameter
- **Energy Class: A+**

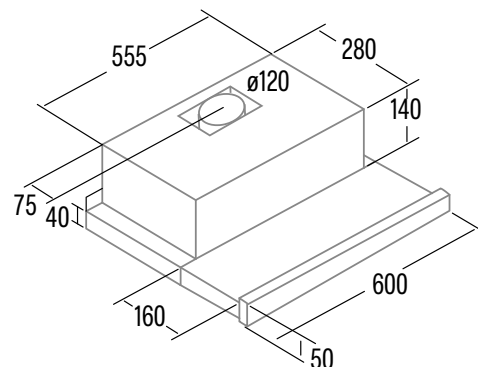
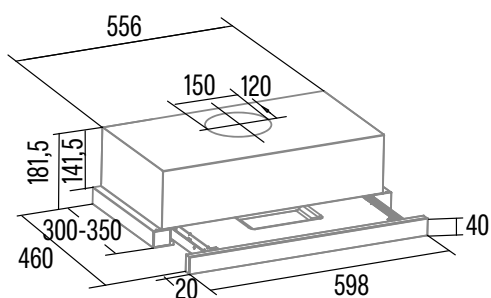
Accessories (not included)

Active charcoal filter..... Cod. 02859394 / EAN 8422248038782
Check valve..... Cod. 02832004 / EAN 8422248480499

- **Mechanical control panel**
- 2 extraction levels
- Extraction power (according to UNE/EN 61591): **390m³/h** - 150m³/h
- Motor maximum airflow free outlet: **600m³/h**
- **Sound power (Reg.(EU) n°65/2014): 45.5dB(A)**, maximum: 57dB(A)
- Tangential motor. Extra silent. Maximum energy consumption **100W**
- **High efficiency LED lighting**
- **Easy-to-clean inner panel**
- Easy-to-install system
- Dishwasher-washable filters
- **Finished in black/white glass front panel**
- **Stainless steel base**
- **Replaceable handrail**
- Max. pressure 194 Pa
- 120mm outlet diameter
- Energy Class: C

Accessories (not included)

Active charcoal filter..... Cod. 02825263 / EAN 8422248006552
Check valve..... Cod. 02849003 / EAN 8422248044653



TELESCOPIC



EXTENDER 900
Cod. **02094306** EAN **8422248110310**

EXTENDER 700
Cod. **02089306** EAN **8422248110327**

EXTENDER 600
Cod. **02017606** EAN **8422248110334**



- **Mechanical control panel**
- 2 extraction levels
- Extraction power (according to UNE/EN 61591): **390m³/h** - 150m³/h
- Motor maximum airflow free outlet: **600m³/h**
- **Sound power (Reg.(EU) n°65/2014): 45.5dB(A)**, maximum: 57dB(A)
- Tangential motor. Extra silent. Maximum energy consumption **100W**
- **High efficiency LED lighting**
- Easy-to-install system
- **Stainless steel base and panelLED filters washable in dishwasher**
- Finished in stainless steel
- Max. pressure 194 Pa
- 120mm outlet diameter
- Energy Class: C

Accessories (not included)

Active charcoal filter..... Cod. 02825263 / EAN 8422248006552
Check valve..... Cod. 02849003 / EAN 8422248044653

TF-2003 DURALUM 900
Cod. **02094305** EAN **8422248061964**

TF-2003 DURALUM 700
Cod. **02089305** EAN **8422248061971**

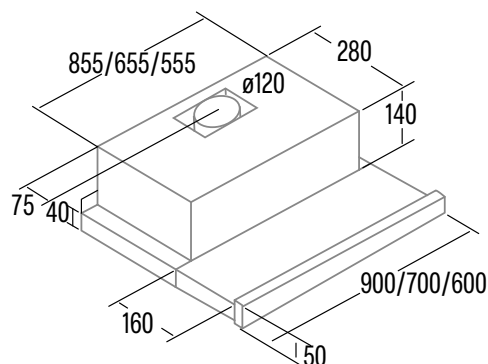
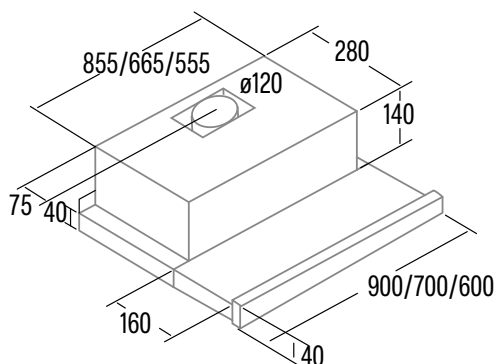
TF-2003 DURALUM 600
Cod. **02017305** EAN **8422248061988**



- **Mechanical control panel**
- 2 extraction levels
- Extraction power (according to UNE/EN 61591): **390m³/h** - 150m³/h
- Motor maximum airflow free outlet: **600m³/h**
- **Sound power (Reg.(EU) n°65/2014): 45.5dB(A)**, maximum: 57dB(A)
- Tangential motor. Extra silent. Maximum energy consumption **100W**
- **High efficiency LED lighting**
- Easy-to-clean inner panel
- Easy-to-install system
- Dishwasher-washable filters
- **Finished in Stainless steel fingerprint free DurAlum**
- **Replaceable handrail**
- Max. pressure 194 Pa
- 120mm outlet diameter
- Energy Class: C

Accessories (not included)

Active charcoal filter..... Cod. 02825263 / EAN 8422248006552
Check valve..... Cod. 02849003 / EAN 8422248044653





TELESCOPIC



TF-5260 X

Cod. **02034310** EAN **8422248082129**

TF-5260 WH

Cod. **02034501** EAN **8422248082136**



- **Sliding Control Panel**
- 3 extraction levels
- Extraction power (according to UNE/EN 61591): **325m³/h** - 175m³/h (EU Model)
- Motor maximum airflow free outlet: **350m³/h**
- **Sound power (Reg.(EU) n°65/2014): 54dB(A)**, maximum: 68dB(A)
- 2 Motor. Maximum energy consumption 2 x 65W
- Max. pressure 325 (EU Model) / 205 Pa
- **LED E-14 lighting**
- Easy-to-install system
- Dishwasher-washable filters
- Finished in white glass or stainless steel front panel
- 120mm outlet diameter
- Energy Class: D

Accessories (not included)

Active charcoal filter..... Cod. 02846762 / EAN 8422248001816
Check valve..... Cod. 02849002 / EAN 8422248044394

TFB-5160 X

Cod. **02034606** EAN **8422248101998**

TFB-5160 BK

Cod. **02034408** EAN **8422248108096**

TFB-5160 WH

Cod. **02034107** EAN **8422248102001**

TFB-5150 X

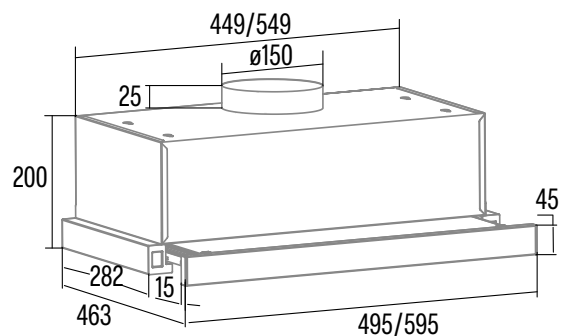
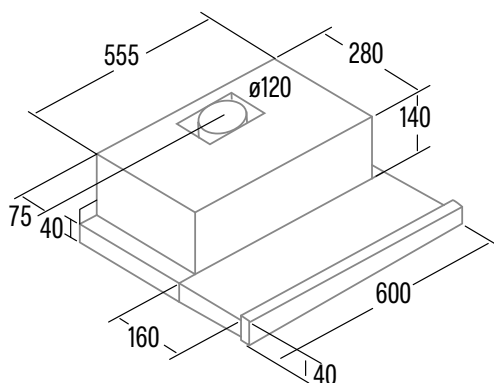
Cod. **02097306** EAN **8422248102018**



- **Mechanical control panel**
- 2 extraction levels
- Extraction power (according to UNE/EN 61591): **300m³/h** - 160m³/h
- Motor maximum airflow free outlet: **700m³/h**
- **Sound power (Reg.(EU) n°65/2014): 48dB(A)**, maximum: 61dB(A)
- Tangential motor. Extra silent. Maximum energy consumption **65W**
- **High efficiency compact Strip LED lighting**
- Easy-to-install system
- Dishwasher-washable filters
- Finished in Stainless steel, white and black
- Max. pressure 170Pa
- 150mm outlet diameter
- Energy Class: C

Accessories (not included)

Active charcoal filter..... Cod. 02859495 / EAN 8422248100281



TELESCOPIC



TF-5250 X (2 MOTORS)
Cod. **02097305** EAN **8422248086264**

TFK 6005 X
Cod. **02034604** EAN **8422248357234**

NEW

TF-5250 WH (2 MOTORS)
Cod. **02097002** EAN **8422248086271**

TFK 6005 WH
Cod. **02034505** EAN **8422248357227**

NEW

TF-5060 X (1 MOTOR)
Cod. **02033309** EAN **8422248086059**



- **Sliding Control Panel**
- 3 extraction levels
- 2 Motor. Maximum energy consumption 2 x 65W
Extraction power (according to UNE/EN 61591): **325m³/h** - 175m³/h
Sound power (Reg.(EU) n°65/2014): 54dB(A), maximum: 68dB(A)
- 1 Motor. Maximum energy consumption 65W
Extraction power (according to UNE/EN 61591): **197m³/h** - 96m³/h
Sound power (Reg.(EU) n°65/2014): 51dB(A), maximum: 65dB(A)
- Motor maximum airflow free outlet: **350m³/h**
- Max. pressure 325 (EU Model) / 205 Pa
- **LED E-14 lighting**
- Easy-to-install system
- Dishwasher-washable filters
- Finished in white glass or stainless steel front panel
- 120mm outlet diameter
- Energy Class: D

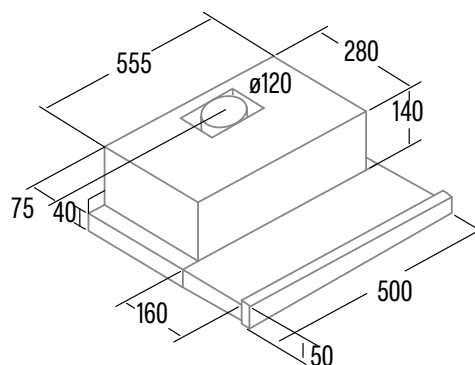
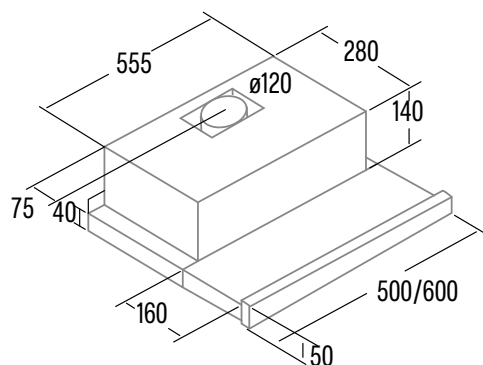
- **Slider Control Panel**
- 2 extraction levels
- Extraction power (according to UNE/EN 61591): **360m³/h** - 186m³/h
- Motor maximum airflow free outlet: **600m³/h**
- **Sound power (Reg.(EU) n°65/2014): 54dB(A)**, maximum: 68dB(A)
- K11 Motor. Maximum energy consumption **95W**
- **High efficiency compact Strip LED**
- Easy-to-install system
- Dishwasher-washable filters
- Finished in white glass or stainless steel front panel
- 120mm outlet diameter
- **Energy Class: A**

Accessories (not included)

Active charcoal filter.....Cod. 02859489/ EAN 8422248358477
Check valve.....Cod. 02849002 / EAN 8422248044344.....

Accessories (not included)

Active charcoal filter.....Cod. 02846762 / EAN 8422248001816
Check valve.....Cod. 02849002 / EAN 8422248044344.....





CONVENTIONAL



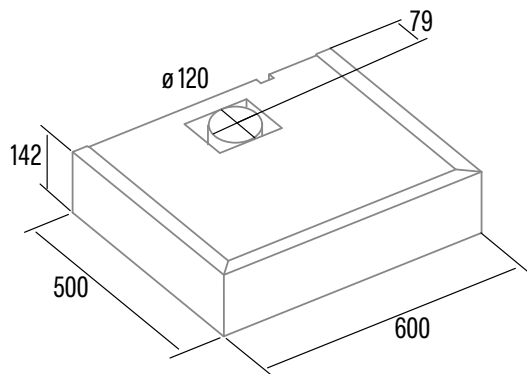
S-BOX X
Cod. **02001301** EAN **8422248062039**



- **Mechanical control panel**
- 3 extraction levels
- Extraction power (according to UNE/EN 61591): **390m³/h** - 150m³/h
- Motor maximum airflow free outlet: **600m³/h**
- **Sound power (Reg.(EU) n°65/2014): 45dB(A)**, maximum: 57dB(A)
- Tangential motor. Extra silent. Maximum energy consumption **100W**
- **Low consumption lighting**
- Easy-to-install system
- Dishwasher-washable filters
- Finished in stainless steel
- Max. pressure 194Pa
- 120mm outlet diameter
- Energy Class: C

Accessories (not included)

Active charcoal filter..... Cod. 02804300 / EAN 8422248011976
Check valve..... Cod. 02849003 / EAN 8422248044653



LFK 6000 X
Cod. **02011602** EAN **8422248357180**



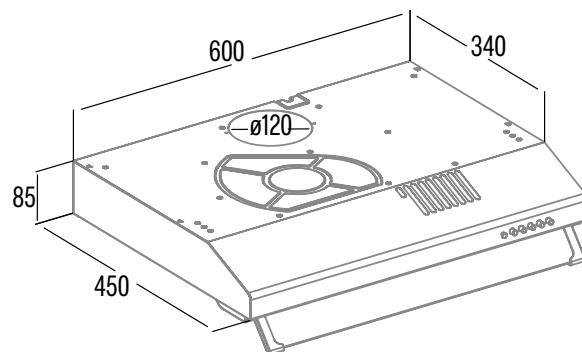
LFK 6000 WH
Cod. **02011117** EAN **8422248357197**



- **Rocker switch control**
- 2 extraction levels
- Extraction power (according to UNE/EN 61591): **162m³/h** - 108m³/h
- Motor maximum airflow free outlet: **350m³/h**
- **Sound power (Reg.(EU) n°65/2014): 49dB(A)**, maximum: 58dB(A)
- L1B motor. Extra silent. Maximum energy consumption **55W**
- **E-14 LED lighting**
- Easy-to-install system
- Dishwasher-washable filters
- Finished in stainless steel/white
- Max. pressure 318Pa
- 120mm outlet diameter
- Energy Class: B

Accesorios (no incluidos)

Filtro de Carbón Activo..... Cod. 02846764 / EAN 8422248078276





F-2050 WH
Cod. **02015006** EAN **8422248086110**

F-2050 X
Cod. **02015306** EAN **8422248086103**

F-2290 X
Cod. **02014302** EAN **8422248168946**



- **Mechanical control panel**
- 3 extraction levels
- 1 motor x 60W
- Extraction power (according to UNE/EN 61591): **195m³/h** - 108m³/h
- Motor maximum airflow free outlet: **350m³/h**
- **Sound power (Reg.(EU) n°65/2014): 56dB(A)**, maximum: 68dB(A)
- Max. pressure 325 Pa
- **E-14 LED lighting**
- Easy-to-install system
- DishWasher-washable filters
- Finished in stainless steel, black and white
- 120mm outlet diameter
- Energy Class: C

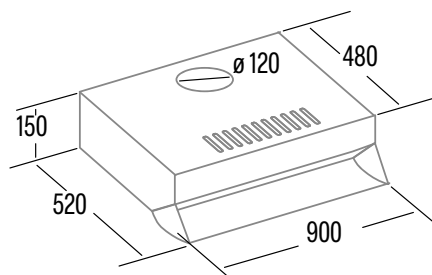
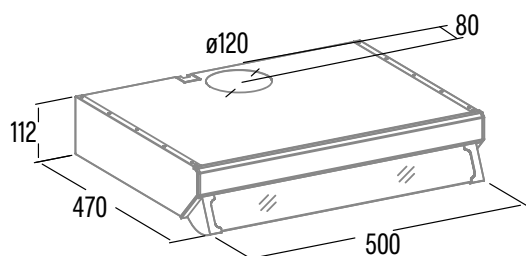
- **Sliding control panel**
- 3 extraction levels
- Extraction power (according to UNE/EN 61591): **180m³/h** - 140m³/h
- Motor max. free outlet airflow: **380m³/h**
- Minimum sound power: 59dB(A), maximum: 65dB(A)
- 2 motors. Maximum energy consumption 2 x 125W
- Halogen lighting E-14
- Easy-to-install system
- Dishwasher-washable aluminium mesh
- Finished in stainless steel
- Max. pressure 179Pa
- 120mm outlet diameter

Accessories (not included)

Active charcoal filter 1U/box Cod. 02846764 / EAN 8422248078276
Check valve Cod. 02849002 / EAN 8422248044394

Accessories (not included)

Active charcoal filter Cod. 02846762 / EAN 8422248001816
Check valve Cod. 02849002 / EAN 8422248044394





CONVENTIONAL

KITCHEN EXTRACTION



FK SLIM 6000 X
Cod. **02011604** EAN **8422248357241**

FK SLIM 6000 BK
Cod. **02011504** EAN **8422248357258**

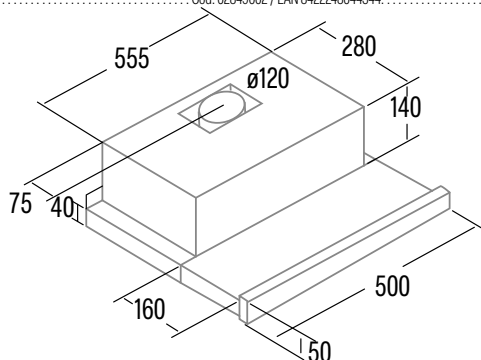
FK SLIM 6000 WH
Cod. **02011204** EAN **8422248357265**



- Mechanical control panel
- 3 extraction levels
- Extraction power (according to UNE/EN 61591): **162m³/h** - 108m³/h
- Motor maximum airflow free outlet: **350m³/h**
- **Sound power (Reg.(EU) n°65/2014): 49dB(A)**, maximum: 58dB(A)
- LIB motor. Maximum energy consumption **55W**
- **E-14 LED lighting**
- Easy-to-install system
- Dishwasher-washable filters
- Finished in stainless steel/white
- Max. pressure 318Pa
- 120mm outlet diameter
- Energy Class: B

Accessories (not included)

Active charcoal filter Cod. 02846763 / EAN 8422248076210
Check valve Cod. 02849002 / EAN 8422248044344



PROFESSIONAL-750
Cod. **00117000**
EAN **8422248100816**

PROFESSIONAL500
Cod. **00117400**
EAN **8422248010832**

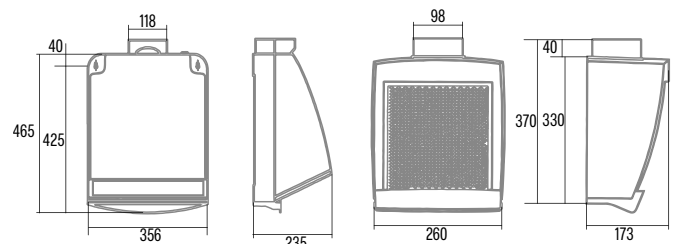
PROFESSIONAL-750 L
Cod. **00117100**
EAN **8422248100823**



- High air flow capacity
 - Extraction power (according to UNE/EN 61591): **600m³/h**
 - **Sound power (Reg.(EU) n°65/2014): 49dB(A)**
 - Maximum energy consumption: **105W** (Professional 750 Model) - **119W** (Professional 750L Model)
 - LED E-14 lighting (PROFESSIONAL 750L model)
 - Easy-to-install system
 - **Metal grease filter with plate to collect grease washable in dishwasher**
 - Metal housing and plastic impeller.
 - 120mm outlet diameter
 - Energy Class: C (Professional 750 Model) D (Professional 750L Model)
 - **110-127V 60Hz on request**
- High air flow capacity
 - Extraction power (according to UNE/EN 61591): **450m³/h**
 - **Sound power (Reg.(EU) n°65/2014): 57dB(A)**
 - Maximum energy consumption: **125W**
 - Easy-to-install system
 - **Metal grease filter with plate to collect grease washable in dishwasher**
 - Plastic housing and impeller
 - 100 mm outlet diameter
 - Energy Class: D

Accessories (not included)

Active charcoal filter Cod. 01140800 / EAN 8422248072731



KITCHEN EXTRACTION



GS-600 PLUS 2 VEL
Cod. **00116110**
EAN **8422248006316**

GS-600
Cod. **00116002**
EAN **8422248100601**

GS-400 M
Cod. **00114102**
EAN **8422248100403**

GS-400 P
Cod. **00111002**
EAN **8422248100830**



GS-600 BK
Cod. **00116400**
EAN **8422248357371**

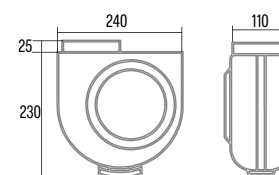
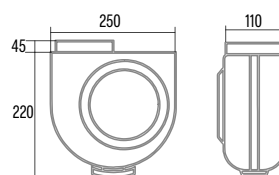
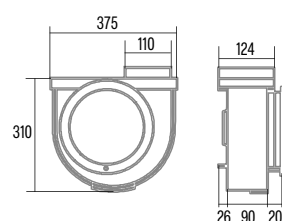
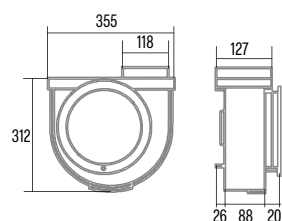


- High air flow capacity
- 2 extraction levels
- Extraction power (according to UNE/EN 61591): **420/600m³/h**
- **Sound power (Reg.(EU) n°65/2014): 52dB(A)**
- Maximum energy consumption: **105W**
- Easy-to-install system
- Metal housing and plastic impeller.
- **2 speeds switch that can be wall mounted**
- 120 mm outlet diameter
- Energy Class: C

- High air flow capacity
- Extraction power (according to UNE/EN 61591): **480m³/h**
- **Sound power (Reg.(EU) n°65/2014):50dB(A)**
- Maximum energy consumption: **105W**
- Easy-to-install system
- Metal housing and plastic impeller.
- 110 mm outlet diameter
- Energy Class: C

- High air flow capacity
- Extraction power (according to UNE/EN 61591): **290m³/h**
- **Sound power (Reg.(EU) n°65/2014): 52dB(A)**
- Maximum energy consumption: **60W**
- Easy-to-install system
- Metal housing and standard protection guard
- 110 mm outlet diameter
- Energy Class: B

- High air flow capacity
- Extraction power (according to UNE/EN 61591): **290m³/h**
- **Sound power (Reg.(EU) n°65/2014): 52dB(A)**
- Maximum energy consumption: **60W**
- Easy-to-install system
- Termal plastic housing and standard protection guard
- 110 mm outlet diameter
- Energy Class: B







OVENS & MICROWAVES



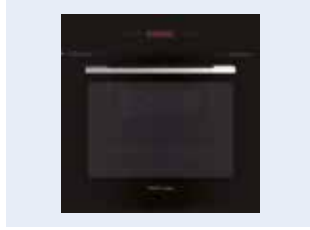
OVENS &
MICROWAVES



MULTIFUNCTION OVENS **cata** & **Can Roca**



MT 9011 PRO BK p86



MT 8012 BK p87



MT 8012 WH p87

PYROLYTIC OVEN



PR 6011 XGBK p88

MULTIFUNCTION OVENS



MDS 8008 X AIR FRYER p88



MDS 8008 WH p89



MDS 8008 BK p89



MDS 8008 X p90



MD 6106 X p90



MDS 8007 WH p91



MDS 8007 BK p91



MDS 8007 X p92

STATIC OVENS



MES 8007 X p92



ME 6206 X p93



SES 7104 X p94



SES 7004 X p94



SE 6204 X p95



SES 6204 WH p95



SES 6004 BK p96

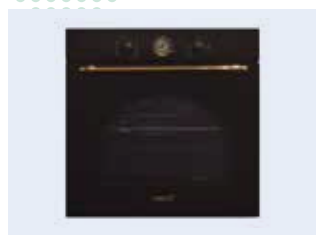


SES 6004 WH p96

RUSTIC OVENS



MRA 7108 WH p97



MRA 7108 BK p97

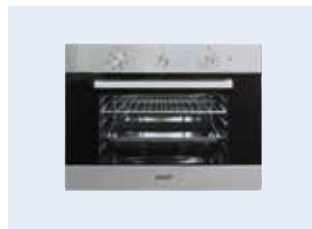
COMPACT OVENS



CMD 5008 X p98



MD 5008 WH p98



ME 4006 X p99

90cm WIDW OVEN



CMD 9208 BK p99

SUITABLE FOR 50CM CABINET



CDP 780 AS BK p100



CM 760 AS BK p100



CM 760 AS WH p101

BUILT-IN MICROWAVES **cata & Can Rocca**



MC 25 GTC BK p102



MC 25 GTC WH p102

BUILT-IN MICROWAVES



MC 32 DC p103



MC 25 D p103



MW BI2505DCG BK p104



MW BI2505DCG X p104



MMA 20 WH p106



MMA 20 X p106



MC 20 D p107



MC 20 IX p107



**CATA ovens.
Reliability and Efficiency**

Optimal Cooking

Fastness to reach the selected temperature for baking.

Uniform distribution of temperature at all levels of the cavity for uniform cooking of food in all trays.



Pizza Stone accessory for a similar cooking to traditional wooden ovens.



Air fry tray



Join the healthy frying without oil and prepare delicious recipes such as chicken wings, vegetables and crispy fries.

Prepare your own favorite healthy snacks like dried fruit with the new air fry tray.

Easy cleaning

The entire cavity and trays are covered with high hardness glaze that avoids the inlay of dirt and facilitates cleaning.

The **internal glass** is easily **removable** without the need for tools for cleaning the door.

Aquasmart. The simplest system for a quick cleaning. It is based on the vaporization of water inside the cavity in order to soften the dirt and facilitate cleaning.

Pyrolysis. The most effective system based on increasing T° up to 450° that allows internal dirt to be charred and facilitates subsequent cleaning.



Removable Crystal

Capacity

Internal capacity of up to 72L, with 5 levels for trays / grilles.

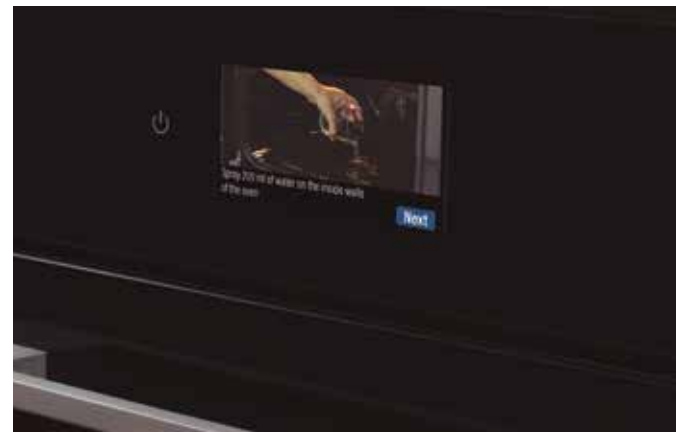


MT 9011 PRO BK
MT 8012 BK
MT 8012 WH

Maximum useful surface in the tray 1550 cm².

Nueva Función
Air Fry

- 80% Menos de aceite
- XXL Formato familiar
- NI Precalentar, NI Agitar



Aquasmart

Complementary characteristics

Telescopic guides for easy and stable removal of the tray and grill.
Removable for changing levels.



Softclose. System that allows a soft and damp door closing.



Microwaves CATA

Speed and simplicity of use

All models have a Quick Start Button that allows us to start the microwave at maximum power for 30 seconds with just one click.

Each additional click on that button adds 30 seconds to the cooking so that we can perform most operations only with this function.

Easy cleaning

Internal cavity of high strength stainless steel and removable glass disc for easy cleaning.

Premium features

- Grill for gratin functions.
- Combined grill and microwave function menus.
- Thawing by time and weight.
- Possibility of rear fan for the most homogeneous cooking in model MC 32D.

Touchscreen 5"

It allows you to perform the basic cooking functions easily and intuitively and, at the same time, it gives access to extra cooking functions, recipes and tables for all types of foods.



Fast heating function, keep warm function, specific function for cooking pizza and function for low temperature cooking in a stable and accurate way.



Easy installation

-The microwave is set only with a single safety screw.

-MMA Models with reduced background and height adjustment allow optimal installation in high-end furniture with perfect integration and adjustment.

If your kitchen cupboards have a reduced depth, now you can easily update your kitchen with our new ovens and cookers. They offer the same performance features but are suitable for smaller furnishings. **CDP 780 AS, CM 760 AS, IB 5003, TT 5003, CCI 5003.**

Combination in column with ovens

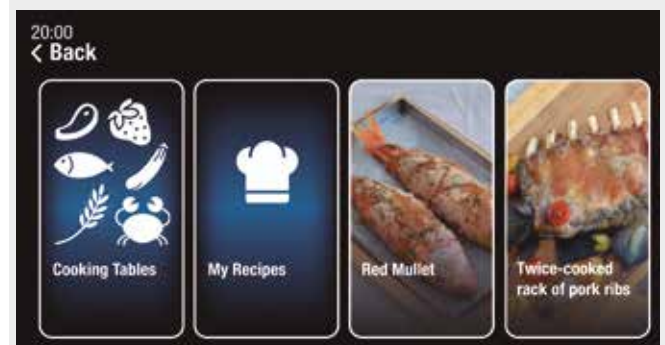
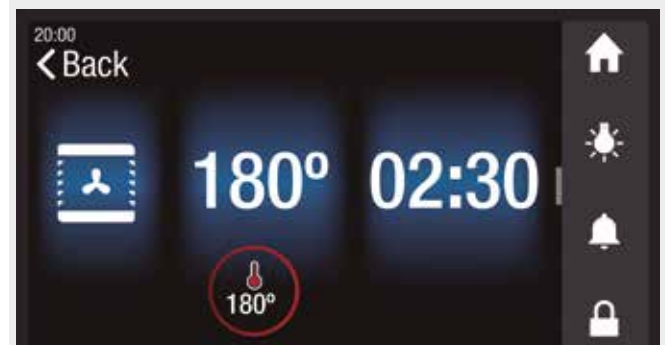
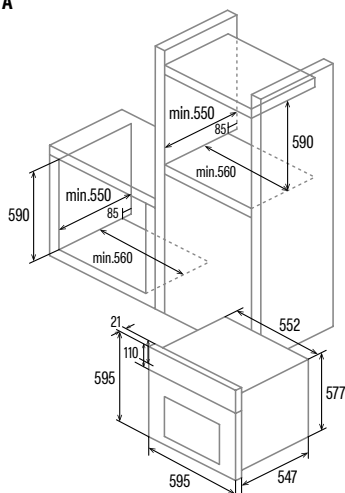




MT 9011 PRO BK
Cod. **07047400** EAN **8422248080637**



- Multifunction oven with Fan forced oven - 14 functions
- TFT control
- Recipes by El Celler de Can Roca
- Cooking Tables with functions & temperature recommendation for extensive type of food
- Special functions Pizza, Keep Warm and Quick Preheat
- Temperature range 50°C-250°C
- Chromed support with 5 cooking levels
- 1 Telescopic guide full extension adaptable to any level
- Panoramic easy-to-clean full glass door with removable inner glass
- Triple glazed cool door with tangential ventilation
- Soft closing door
- Accessories: **Deep tray**, tray and grid
- **Automatic AquaSmart Cleaning system**
- Black glass finishing
- Interior lighting
- **60cm wide**
- Net capacity **72 liters**
- 220/240V 50/60Hz
- **Energy Class A**



BEST
restaurant
IN THE WORLD
2013 & 2015

cata & Can Rocca

cata
green innovation

MULTIFUNCTION OVENS

OVENS &
MICROWAVES



Full GLASS



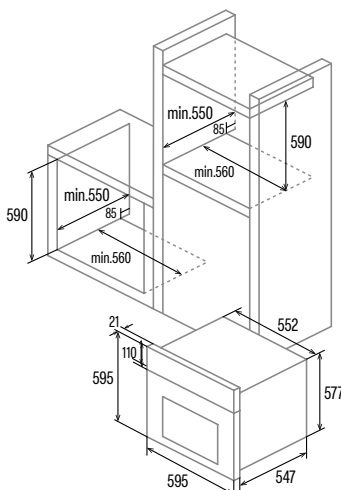
Full GLASS

MT 8012 BK

Cod. **07002411** EAN **8422248094009**



- **Multifunction oven with Fan forced oven** - 11 functions
- **Touch control panel**
- Display cooking programmer with temperature and times
- Temperature range 50°C-250°C
- Chromed support with 5 cooking levels
- 1 Telescopic guide full extension adaptable to any level
- Panoramic easy-to-clean full glass door
- 3 glazed cool door with tangential ventilation
- Accessories: **Deep tray**, tray, grid and pizza stone
- **Automatic AquaSmart Cleaning system**
- Easy to clean enamel
- **Fast preheating**
- Soft closing door
- Black glass finishing
- **60cm** wide
- Net capacity **72 liters**
- 220/240V 50/60Hz
- **Energy Class A**

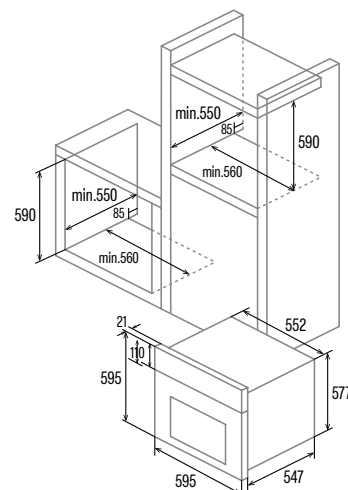


MT 8012 WH

Cod. **07002412** EAN **8422248094016**



- **Multifunction oven with Fan forced oven** - 11 functions
- **Touch control panel**
- Display cooking programmer with temperature and times
- Temperature range 50°C-250°C
- Chromed support with 5 cooking levels
- 1 Telescopic guide full extension adaptable to any level
- Panoramic easy-to-clean full glass door
- 3 glazed cool door with tangential ventilation
- Accessories: **Deep tray**, tray, grid and pizza stone
- **Automatic AquaSmart Cleaning system**
- Easy to clean enamel
- **Fast preheating**
- Soft closing door
- Black glass finishing
- **60cm** wide
- Net capacity **72 liters**
- 220/240V 50/60Hz
- **Energy Class A**





MULTIFUNCTION OVENS



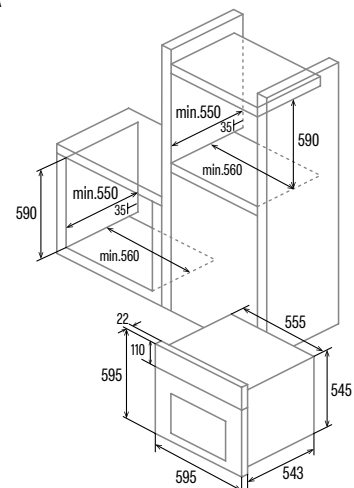
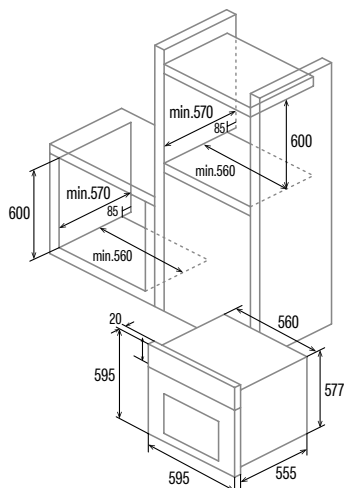
PR 6011 XGBK
Cod. **07001006** EAN **8422248103350**

MDS 8008 X AIR FRYER
Cod. **07001509** EAN **8422248347846**



- **Multifunction oven with Fan forced oven** - 10 functions
- **Push/Pull controls**
- **Display cooking** programmer with temperature and times
- Temperature range 50°C-250°C
- Chromed support with 5 cooking levels
- **1 Telescopic guide** adaptable to any level 50%
- Panoramic easy-to-clean full glass door with removable inner glass
- Glazed cool door with tangential ventilation **4 glasses**
- Accessories: **Deep tray** and grid
- **Pyrolytic cleaning with 2 levels**
- Stainless steel and black glass finishing
- 60cm wide
- Net capacity 70 liters
- 220/240V 50/60Hz
- **Energy Class A**

- **Multifunction oven with Fan forced oven** - 8 functions
- **Push/Pull controls**
- **Display cooking** cooking programmer with automatic stop
- Temperature range 40°C-240°C
- 5 levels for placing easy-to-move trays
- **1 removable telescopic guide adaptable to any level 50%**
- Panoramic easy-to-clean full glass door with removable inner glass
- Double glazed cool door with tangential ventilation
- Accessories: **Deep tray**, tray and grid
- **Booster function: fast preheating**
- **Air Fry function**
- **Automatic AquaSmart Cleaning system**
- Easy to clean enamel
- Stainless steel and black glass finishing
- Interior lighting
- 60cm wide
- Net capacity **80 liters**
- 220/240V 50/60Hz
- **Energy Class A**



MULTIFUNCTION OVENS

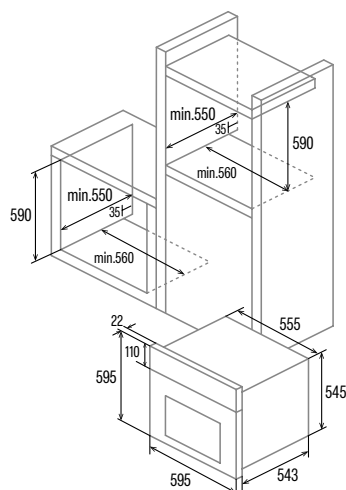


MDS 8008 WH
Cod. **07001010** EAN **8422248347679**

NEW



- **Multifunction oven with Fan forced oven** - 8 functions
- **Push/Pull controls**
- **Display cooking** cooking programmer with automatic stop
- Temperature range 40°C-240°C
- 5 levels for placing easy-to-move trays
- **1 removable telescopic guide adaptable to any level 50%**
- Panoramic easy-to-clean full glass door with removable inner glass
- Double glazed cool door with tangential ventilation
- Accessories: **Deep tray**, tray and grid
- **Booster function: fast preheating**
- **Automatic AquaSmart Cleaning system**
- Easy to clean enamel
- White glass finishing
- Interior lighting
- 60cm wide
- Net capacity **80 liters**
- 220/240V 50/60Hz
- **Energy Class A**

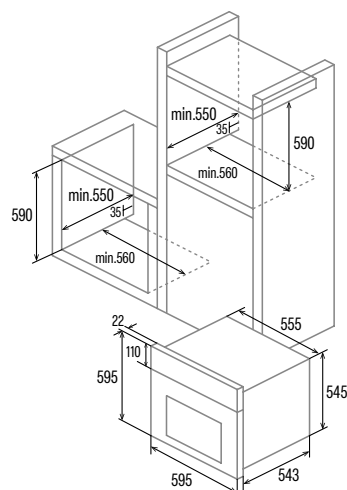


MDS 8008 BK
Cod. **07001405** EAN **8422248347655**

NEW



- **Multifunction oven with Fan forced oven** - 8 functions
- **Push/Pull controls**
- **Display cooking** cooking programmer with automatic stop
- Temperature range 40°C-240°C
- 5 levels for placing easy-to-move trays
- **1 removable telescopic guide adaptable to any level 50%**
- Panoramic easy-to-clean full glass door with removable inner glass
- Double glazed cool door with tangential ventilation
- Accessories: **Deep tray**, tray and grid
- **Booster function: fast preheating**
- **Automatic AquaSmart Cleaning system**
- Easy to clean enamel
- Black glass finishing
- Interior lighting
- 60cm wide
- Net capacity **80 liters**
- 220/240V 50/60Hz
- **Energy Class A**





MULTIFUNCTION OVENS



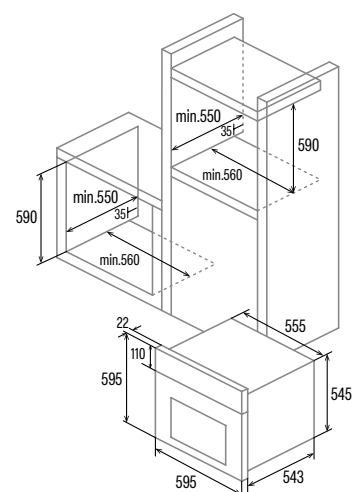
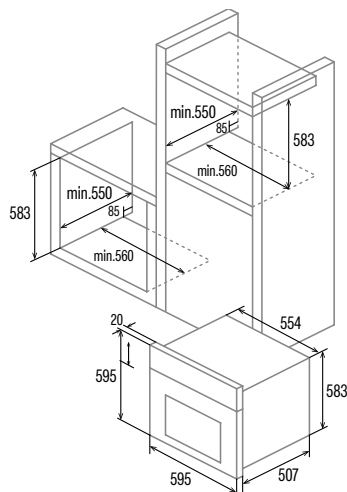
MD 6106X
Cod. **07033303** EAN **8422248076029**

MDS 8008 X
Cod. **07001508** EAN **8422248347662**



- **Multifunction oven** - 6 functions
- **Display cooking** programmer with temperature and times
- Temperature range 50°C-250°C
- 5 levels for placing trays
- Panoramic easy-to-clean full glass door
- **Double glazed** cool door with tangential ventilation
- Accessories: tray and grid
- **AquaSmart Cleaning system**
- Stainless steel and black glass finishing
- 60cm wide
- Net capacity **60 liters**
- 220/240V 50/60Hz
- **Energy Class A**

- **Multifunction oven with Fan forced oven** - 8 functions
- **Push/Pull controls**
- **Display cooking** cooking programmer with automatic stop
- Temperature range 40°C-240°C
- 5 levels for placing easy-to-move trays
- **1 removable telescopic guide adaptable to any level**
- Panoramic easy-to-clean full glass door with removable inner glass
- Double glazed cool door with tangential ventilation
- Accessories: **Deep tray**, tray and grid
- **Booster function: fast preheating**
- **Automatic AquaSmart Cleaning system**
- Easy to clean enamel
- Stainless steel and black glass finishing
- Interior lighting
- 60cm wide
- Net capacity **80 liters**
- 220/240V 50/60Hz
- **Energy Class A**



MULTIFUNCTION OVENS

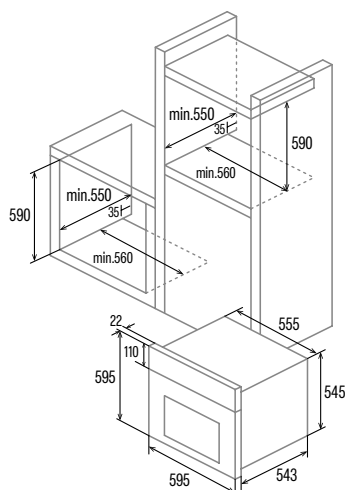


Full GLASS

MDS 8007 WH
Cod. **07034101** EAN **8422248347709**



- **Multifunction oven** - 7 functions
- **Display cooking** cooking programmer with automatic stop
- Temperature range 40°C-240°C
- 5 levels for placing easy-to-move trays
- **1 removable telescopic guide adaptable to any level 50%**
- Panoramic easy-to-clean full glass door with removable inner glass
- Double glazed cool door with tangential ventilation
- Accessories: **Deep tray**, tray and grid
- Easy to clean enamel
- White glass finishing
- Interior lighting
- 60cm wide
- Net capacity **80 liters**
- 220/240V 50/60Hz
- **Energy Class A**

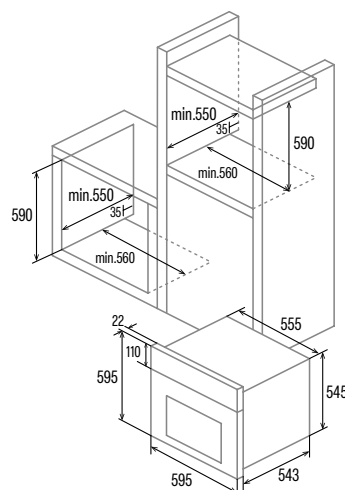


Full GLASS

MDS 8007 BK
Cod. **07034508** EAN **8422248347693**



- **Multifunction oven** - 7 functions
- **Display cooking** cooking programmer with automatic stop
- Temperature range 40°C-240°C
- 5 levels for placing easy-to-move trays
- **1 removable telescopic guide adaptable to any level 50%**
- Panoramic easy-to-clean full glass door with removable inner glass
- Double glazed cool door with tangential ventilation
- Accessories: **Deep tray**, tray and grid
- Easy to clean enamel
- Black glass finishing
- Interior lighting
- 60cm wide
- Net capacity **80 liters**
- 220/240V 50/60Hz
- **Energy Class A**





MULTIFUNCTION OVENS



MDS 8007 X
Cod. **07034605** EAN **8422248347686**

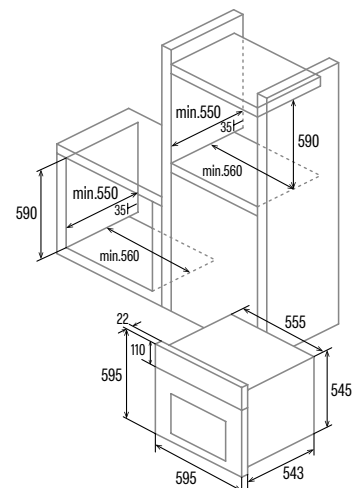
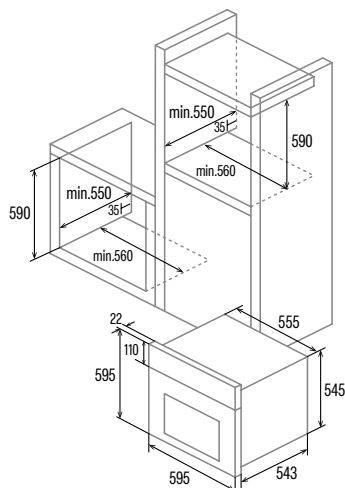


- **Multifunction oven** - 7 functions
- **Display cooking** cooking programmer with automatic stop
- Temperature range 40°C-240°C
- 5 levels for placing easy-to-move trays
- **1 removable telescopic guide adaptable to any level 50%**
- Panoramic easy-to-clean full glass door with removable inner glass
- Double glazed cool door with tangential ventilation
- Accessories: **Deep tray**, tray and grid
- Easy to clean enamel
- Stainless steel and black glass finishing
- Interior lighting
- 60cm wide
- Net capacity **80 liters**
- 220/240V 50/60Hz
- **Energy Class A**

MES 8007 X
Cod. **07044609** EAN **8422248347716**



- **Multifunction oven** - 7 functions
- **Mechanical** cooking programmer with automatic stop
- Temperature range 40°C-240°C
- 5 levels for placing easy-to-move trays
- **1 removable telescopic guide adaptable to any level 50%**
- Panoramic easy-to-clean full glass door with removable inner glass
- Double glazed cool door with tangential ventilation
- Accessories: **Deep tray** and grid
- Easy to clean enamel
- Stainless steel and black glass finishing
- Interior lighting
- 60cm wide
- Net capacity **80 liters**
- 220/240V 50/60Hz
- **Energy Class A**



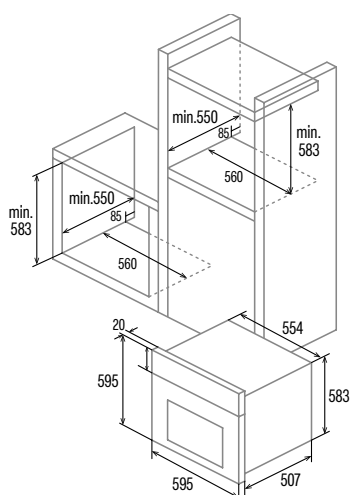
MULTIFUNCTION OVENS



ME 6206 X
Cod. 07007303 EAN 8422248075886



- **Multifunction oven** - 6 functions
- **Mechanical cooking programmer**
- Temperature range 50°C-250°C
- 5 levels for placing trays
- Panoramic easy-to-clean full glass door with removable inner glass
- **Double glazed** cool door with tangential ventilation
- Accessories: tray and grid
- **AquaSmart Cleaning system**
- Stainless steel and black glass finishing
- 60cm wide
- Net capacity 60 liters
- 220/240V 50/60Hz
- **Energy Class A**





STATIC OVENS



SES 7104 X
Cod. **07044350** EAN **8422248347297**

NEW



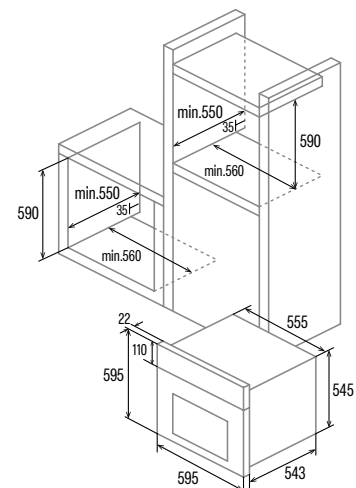
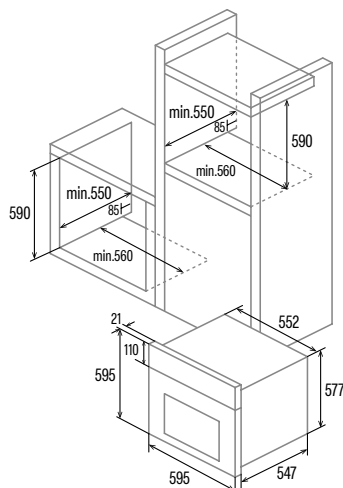
- **Static** oven - 4+1 functions
- **Mechanical** cooking programmer with automatic stop
- Temperature range 50°-250°
- 5 levels for placing trays
- Panoramic easy-to-clean full glass door with removable inner glass
- Double glazed cool door with tangential ventilation
- Accessories: **Deep tray** and grid
- **AquaSmart** Cleaning system
- Easy to clean enamel
- Stainless steel and black glass finishing
- Interior lighting
- 60cm wide
- Net capacity **78 liters**
- 220/50Hz
- **Energy Class A**

SES 6204 WH
Cod. **07044105** EAN **8422248347730**

NEW



- **Static** oven - 4 functions
- **Mechanical** cooking programmer with automatic stop
- Temperature range 40°C-240°C
- 5 levels for placing easy-to-move trays
- Panoramic easy-to-clean full glass door with removable inner glass
- Double glazed cool door with tangential ventilation
- Accessories: **Deep tray** and grid
- **AquaSmart** Cleaning system
- Easy to clean enamel
- Stainless steel and white glass finishing
- Interior lighting
- 60cm wide
- Net capacity **66 liters**
- 220/240V 50/60Hz
- **Energy Class A**



STATIC OVENS

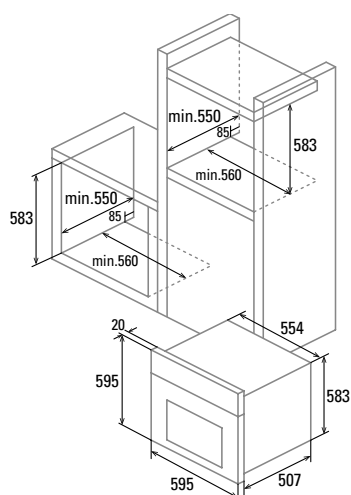


OVENS &
MICROWAVES

SE 6204 X
Cod. **07044600** EAN **8422248075831**



- **Static** oven - 4 functions
- Temperature range 50°C-250°C
- 5 levels for placing trays
- Panoramic easy-to-clean full glass door with removable inner glass
- Double glazed cool door with tangential ventilation
- Accessories: tray
- Easy to clean enamel
- Stainless steel finishing
- 60cm wide
- Net capacity 65 liters
- 220/240V 50/60Hz
- **Energy Class A**

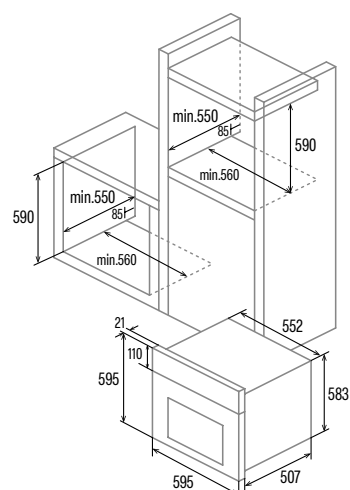


SES 7004 X
Cod. **07044351** EAN **8422248347235**

NEW



- **Static** oven - 4+1 functions
- Temperature range 50°-250°
- 5 levels for placing trays
- Panoramic easy-to-clean full glass door with removable inner glass
- Double glazed cool door with tangential ventilation
- Accessories: deep tray
- Easy to clean enamel
- Stainless steel and black glass finishing
- Interior lighting
- 60cm wide
- Net capacity **65 liters**
- 220/50Hz
- **Energy Class A**





STATIC OVENS



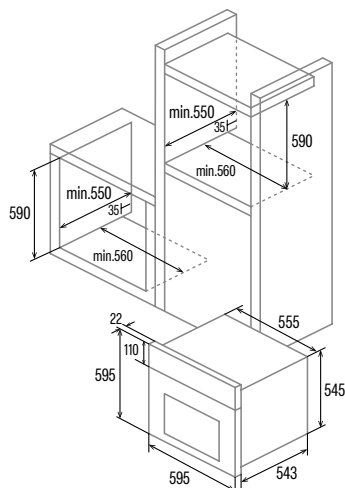
Full GLASS

SES 6004 BK
Cod. **07044614** EAN **8422248347839**

NEW



- **Static** oven - 4 functions
- Temperature range 40°-240°
- 5 levels for placing trays
- Panoramic easy-to-clean full glass door with removable inner glass
- Double glazed cool door with tangential ventilation
- Accessories: deep tray
- **AquaSmart** Cleaning system
- Easy to clean enamel
- Black glass finishing
- Interior lighting
- 60cm wide
- Net capacity **62 liters**
- 220/240V 50/60Hz
- **Energy Class A**



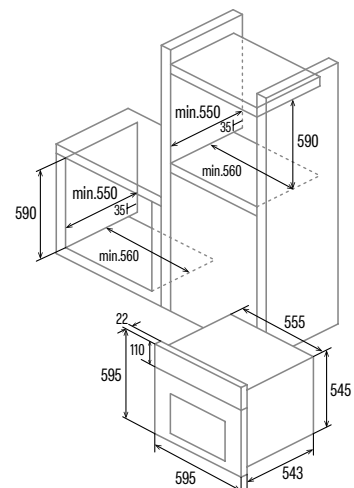
Full GLASS

SES 6004 WH
Cod. **07044613** EAN **8422248347754**

NEW



- **Static** oven - 4 functions
- Temperature range 40°-240°
- 5 levels for placing trays
- Panoramic easy-to-clean full glass door with removable inner glass
- Double glazed cool door with tangential ventilation
- Accessories: deep tray
- **AquaSmart** Cleaning system
- Easy to clean enamel
- White glass finishing
- Interior lighting
- 60cm wide
- Net capacity **62 liters**
- 220/240V 50/60Hz
- **Energy Class A**



RUSTICOVENS



MRA 7108 WH
Cod. **07035009** EAN **8422248077033**

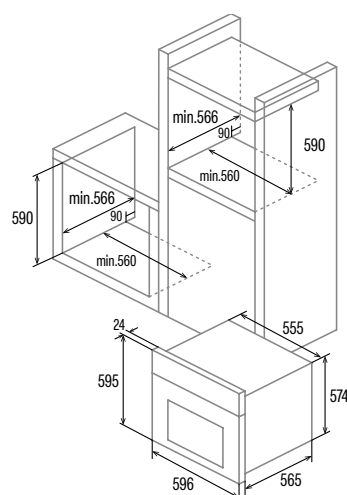
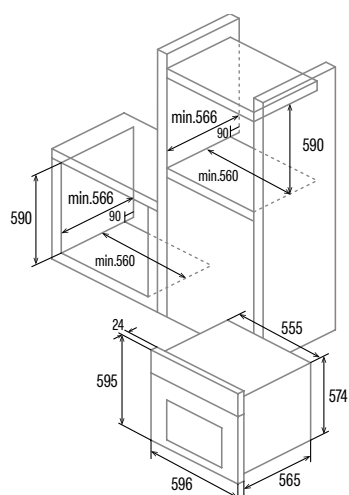


- **Multifunction** oven - 7 functions
- **Mechanical** cooking programmer
- Temperature range 40°C-240°C
- Chromed support with 5 cooking levels
- Panoramic easy-to-clean full glass door with removable inner glass
- Double glazed cool door with tangential ventilation
- Accessories: **Deep tray**, tray and grid
- **AquaSmart cleaning system**
- white rustic finishing
- 60cm wide
- Net capacity 60 liters
- 220/240V 50/60Hz
- **Energy Class A**

MRA 7108 BK
Cod. **07035409** EAN **8422248077026**



- **Multifunction** oven - 7 functions
- **Mechanical** cooking programmer
- Temperature range 40°C-240°C
- Chromed support with 5 cooking levels
- Panoramic easy-to-clean full glass door with removable inner glass
- Double glazed cool door with tangential ventilation
- Accessories: **Deep tray**, tray and grid
- **AquaSmart cleaning system**
- black rustic finishing
- 60cm wide
- Net capacity 60 liters
- 220/240V 50/60Hz
- **Energy Class A**





COMPACT OVENS

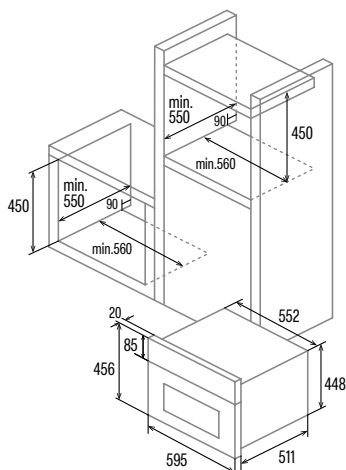


FAN FORCED Oven

CMD 5008 X
Cod. **07003307** EAN **8422248067881**



- **Multifunction** oven - 8 functions
- Push/Pull **controls**
- Digital cooking programmer
- Temperature range 50°C-250°C
- 4 levels for placing easy-to-move trays
- **1 Telescopic guide full extension adaptable to any level**
- Panoramic full glass door
- Triple glazed cool door with tangential ventilation
- Accessories: **Deep tray** and grid
- **AquaSmart Cleaning system**
- Stainless steel and black glass finishing
- **Built into a 45cm unit**
- 60cm wide
- Net capacity **40 liters**
- 220/240V 50/60Hz
- **Energy Class A**

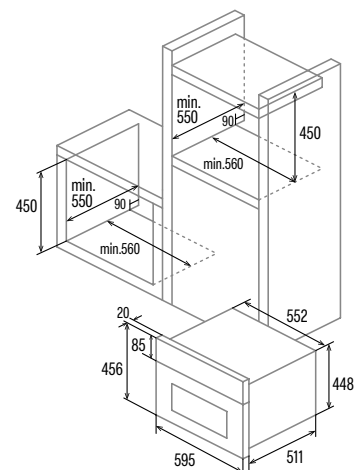


FAN FORCED Oven
Full GLASS

MD 5008 WH
Cod. **07003000** EAN **8422248067898**



- **Multifunction** oven - 8 functions
- Push/Pull **controls**
- Digital cooking programmer
- Temperature range 50°C-250°C
- 4 levels for placing easy-to-move trays
- **1 Telescopic guide full extension adaptable to any level**
- Panoramic full glass door
- Triple glazed cool door with tangential ventilation
- Accessories: **Deep tray** and grid
- **AquaSmart Cleaning system**
- White glass finishing
- **Built into a 45cm unit**
- 60cm wide
- Net capacity **40 liters**
- 220/240V 50/60Hz
- **Energy Class A**



COMPACT OVENS

90cm WIDE OVEN



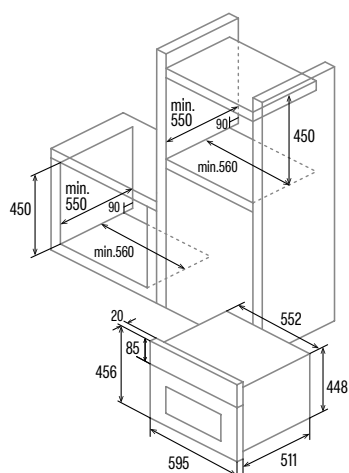
FAN FORCED Oven

ME 4006X

Cod. **07003305** EAN **8422248067867**



- **Multifunction** oven - 6 functions
- Mechanical cooking programmer
- Temperature range 50°C-250°C
- 4 levels for placing easy-to-move trays
- Panoramic full glass door
- Triple glazed cool door with tangential ventilation
- Accessories: tray and grid
- **AquaSmart Cleaning system**
- Stainless steel and black glass finishing
- **Built into a 45cm unit**
- 60cm wide
- Net capacity **40 liters**
- 220/240V 50/60Hz
- **Energy Class A**

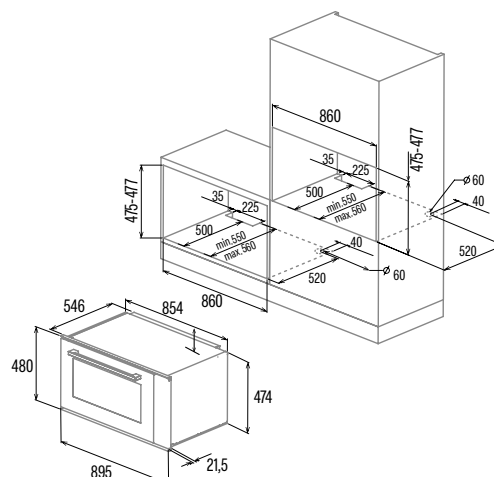


CMD 9208 BK

Cod. **07039305** EAN **8422248093156**



- **Multifunction** oven - 8 functions
- Push/Pull **controls**
- Digital cooking programmer
- Temperature range 50°C-250°C
- 5 levels for placing easy-to-move trays
- Panoramic door, easy clean interior
- Triple glazed cool door
- Accessories: **Deep tray** and grid
- Easy clean system
- Black glass finishing
- 90cm wide
- Net capacity **93 liters**
- 220/240V 50/60Hz
- **Energy Class A**





SUITABLE FOR 50cm CABINET OVENS



Suitable for short depth cabinets

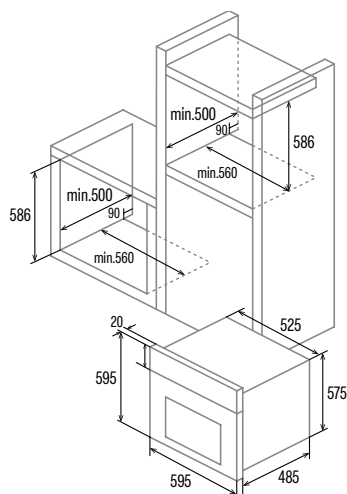


Suitable for short depth cabinets

CDP 780 AS BK
Cod. **07001401** EAN **8422248059503**



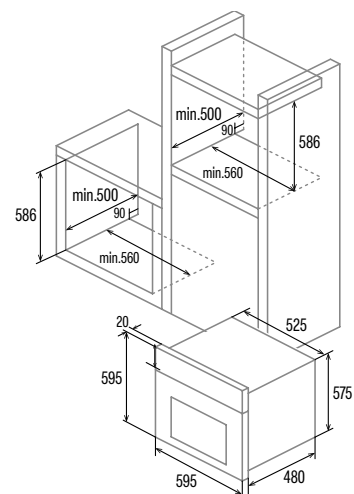
- **Multifunction** oven - 8 functions
- Push/Pull **controls**
- Digital cooking programmer
- Temperature range 50°C-250°C
- 4 levels for placing easy-to-move trays
- **1 telescopic guide**
- Panoramic easy-to-clean full glass door with removable inner glass
- Double glazed cool door with tangential ventilation
- Accessories: **Deep tray** and grid
- **AquaSmart Cleaning system**
- Stainless steel and black glass finishing
- 60cm wide
- **Suitable for 50cm cabinet**
- Net capacity 50 liters
- 220/240V 50/60Hz
- **Energy Class A**



CM 760 AS BK
Cod. **07032307** EAN **8422248059497**



- **Multifunction** oven - 6 functions
- Mechanical cooking programmer
- Temperature range 50°C-250°C
- 4 levels for placing easy-to-move trays
- Panoramic easy-to-clean full glass door with removable inner glass
- Double glazed cool door with tangential ventilation
- Accessories: **Deep tray** and grid
- **AquaSmart Cleaning system**
- Black glass finishing
- 60cm wide
- **Suitable for 50cm cabinet**
- Net capacity 50 liters
- 220/240V 50/60Hz
- **Energy Class A**



SUITABLE FOR 50cm CABINET OVENS

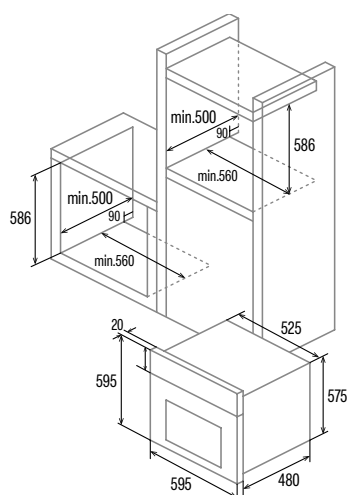


Suitable for short depth cabinets

CM 760 AS WH
Cod. 07032002 EAN 8422248058568



- **Multifunction** oven - 6 functions
- Mechanical cooking programmer
- Temperature range 50°C-250°C
- 4 levels for placing easy-to-move trays
- Panoramic easy-to-clean full glass door with removable inner glass
- Double glazed cool door with tangential ventilation
- Accessories: **Deep tray** and grid
- **AquaSmart Cleaning system**
- White glass finishing
- 60cm wide
- **Suitable for 50cm cabinet**
- Net capacity 50 liters
- 220/240V 50/60Hz
- **Energy Class A**



BUIL-IN MICROWAVES



MC 25 GTC BK
Cod. **07510400** EAN **8422248055277**

MC 25 GTC WH
Cod. **07510000** EAN **842224805260**

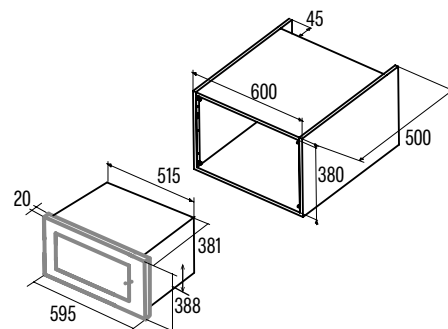
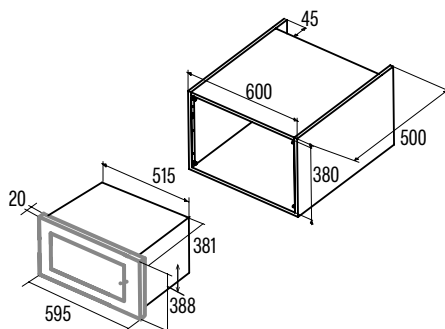
- **25 litre** built-in microwave
- Simultaneous 1,000 W quartz grill
- Five power levels, 900 W output
- **Stainless steel cavity**
- Revolving dish ø 315 mm
- Timer from 0 to 95 minutes
- Automatic defrosting by time and weight
- 8 automatic access menus
- Fast start button
- **Easy to install**
- Safety lock
- Finished in **black glass**
- 60cm wide

- **25 litre** built-in microwave
- Simultaneous 1,000 W quartz grill
- Five power levels, 900 W output
- **Stainless steel cavity**
- Revolving dish ø 315 mm
- Timer from 0 to 95 minutes
- Automatic defrosting by time and weight
- 8 automatic access menus
- Fast start button
- **Easy to install**
- Safety lock
- Finished in **white glass**
- 60cm wide

- Fast start button
- Maximum ease of use. 100% Touch
- Quartz Rack 1000 W
- Easy cleaning full glass
- With plug



- Fast start button
- Maximum ease of use. 100% Touch
- Quartz Rack 1000 W
- Easy cleaning full glass
- With plug



BUIL-IN MICROWAVES



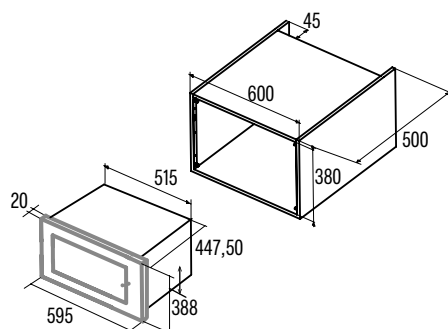
Convection Fan 2.500W

MC 32 DC

Cod. **07510303** EAN **8422248055253**



- **32 litre** built-in microwave
- Simultaneous 1,100 W grill
- Five power levels, 900 W output
- **Convection fan 2,500W (total power)**
- **Stainless steel cavity**
- Revolving dish ø 315 mm
- Timer from 0 to 95 minutes
- Automatic defrosting by time and weight
- 10 automatic access menus
- Fast start button
- **Easy to install**
- Safety lock
- Finished in **anti-fingerprint** stainless steel
- 60cm wide



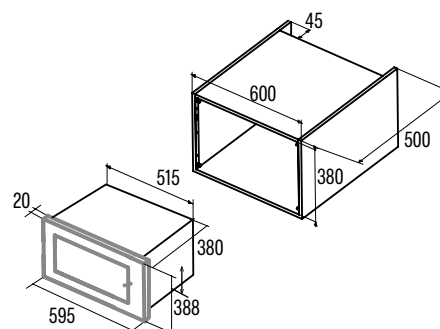
Simultaneous 1.100W
Quartz Grill

MC 25 D ENC

Cod. **07510300** EAN **8422248048453**



- **25 litre** built-in microwave
- Simultaneous 1,000 W quartz grill
- Five power levels, 900 W output
- **Stainless steel cavity**
- Revolving dish ø 315 mm
- Timer from 0 to 95 minutes
- Automatic defrosting by time and weight
- 8 automatic access menus
- Fast start button
- **Easy to install**
- Safety lock
- Finished in stainless steel
- 60cm wide





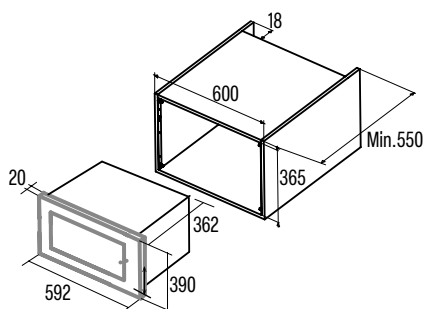
BUIL-INMICROWAVES



MW BI2505DCG BK
Cod. **07511402** EAN **8422248100151**



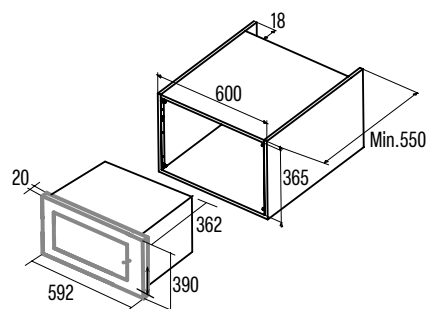
- **25 litre** built-in microwave
- 1200 W grill
- 2 grill power settings
- Five power levels, 900 W output
- 8 auto cook menus
- 2 Combination settings
- **Stainless steel cavity**
- Revolving dish \varnothing 315 mm
- Timer from 0 to 60 minutes
- Defrosting by time and weight
- Child safety lock
- Easy to install
- Finished in black glass



MW BI2505DCG X
Cod. **07511306** EAN **8422248108119**



- **25 litre** built-in microwave
- 1200 W grill
- 2 grill power settings
- Five power levels, 900 W output
- 8 auto cook menus
- 2 Combination settings
- **Stainless steel cavity**
- Revolving dish \varnothing 315 mm
- Timer from 0 to 60 minutes
- Defrosting by time and weight
- Child safety lock
- Easy to install
- Finished in stainless steel





BUIL-IN MICROWAVES



OVENS &
MICROWAVES



BUIL-INMICROWAVES



Installation suitable
for High Furniture

MMA 20 WH
Cod. **07510003** EAN **8422248077187**



- **20 litre** built-in microwave
- **Installation suitable for High Furniture**
- **Adjustable in height to fit with furniture**
- Simultaneous 1,000 W grill
- Five power levels, 800 W output
- **Stainless steel cavity**
- Revolving dish \varnothing 245 mm
- Timer from 0 to 35 minutes
- Automatic defrosting by time and weight
- Fast start button
- **Easy to install**
- Finished in white glass
- 60cm wide

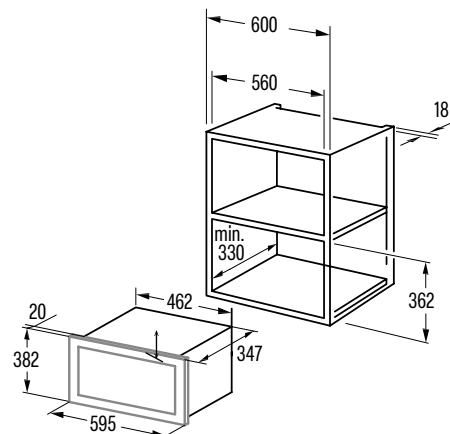
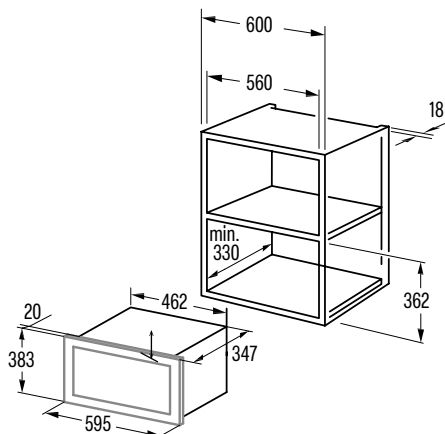


Installation suitable
for High Furniture

MMA 20 X
Cod. **07510308** EAN **8422248077170**



- **20 litre** built-in microwave
- **Installation suitable for High Furniture**
- **Adjustable in height to fit with furniture**
- Simultaneous 1,000 W grill
- Five power levels, 800 W output
- **Stainless steel cavity**
- Revolving dish \varnothing 245 mm
- Timer from 0 to 35 minutes
- Automatic defrosting by time and weight
- Fast start button
- **Easy to install**
- Finished in stainless steel
- 60cm wide



BUIL-IN MICROWAVES

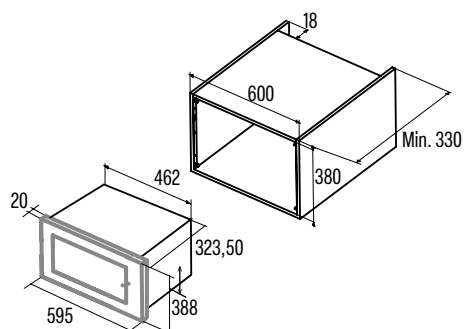


Installation suitable
for High Furniture

MC 20 D ENC
Cod. **07510301** EAN **8422248049450**



- **20 litre** built-in microwave
- Simultaneous 1,000 W grill
- Five power levels, 800 W output
- **Stainless steel cavity**
- Revolving dish \varnothing 245 mm
- Timer from 0 to 95 minutes
- Automatic defrosting by time and weight
- 8 automatic access menus
- Fast start button
- **Easy to install**
- Safety lock
- Finished in stainless steel
- 60cm wide

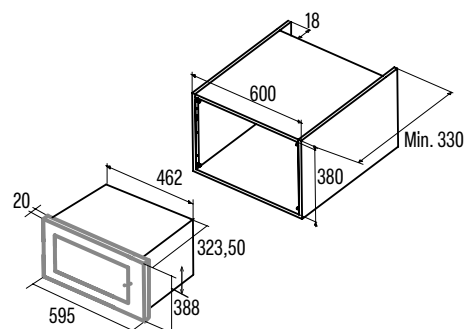


Installation suitable
for High Furniture

MC 20 IX
Cod. **07510306** EAN **8422248058476**



- **20 litre** built-in microwave
- Simultaneous 1,000 W grill
- Five power levels, 800 W output
- **Stainless steel cavity**
- Revolving dish \varnothing 245 mm
- Timer from 0 to 95 minutes
- Automatic defrosting by time and weight
- Fast start button
- **Easy to install**
- Safety lock
- Finished in stainless steel
- 60cm wide



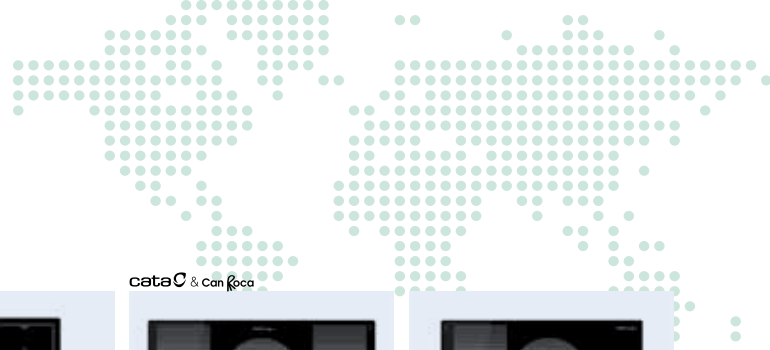




HOBS



HOBS



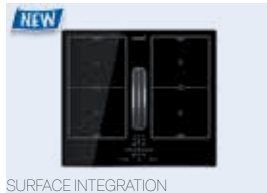
INDUCTION



AS 750 p114-115



IAS 770 p116



AS 600 p117



IDF 9012 PRO BK p118



IDF 8021 PRO BK p119



IDB 6003 PRO BK p120



GIGA 750 BK p121



GIGA 600 BK p122



GIGA 600 WH p123



GIGA 600 SD p123



INSB 9012 BK p124



INSB 8021 BK p124



INSB 6032 BK p125



INSB 6030 WH p125



INSB 6028 BK p126



INSB 6003 E2 BK p126



INSB 6003 E2 WH p127



IBS 6303 E2 BK p127



ISB 603 BK p128



INSB 6004 BK p128



IB 6303 E2 BK p129



IB 6304 E2 BK p129



IB 5003 BK p130



IB 6304 E2 BK p130



IB 6324 E2 BK p132



IB 753 BK p132



IB 073 BK p132



IB 853 BK p133



IB 772 p133



IB 4003 BK p134



IB 2 PLUS BK p134



ISB 3102 BK p135



IB 302 BK p135

HIGHLIGHT HOBS



TDM 6003 p136 TN 604 p136 604 HVI p137



TT 6003 p137 TD 6003 BK p138 TT 5003 p138 TT 4003 BK p139 TD 3002 BK p139 VI 302 p139

GAS - GAS-ON-GLASS HOBS



LCI 9041 BK p140 L 7005 CI p140 LCI 6031 WH p141 LCI 6031 BK LCIB 6031 BK p141 CCI 6031 BK p142



CI 631 BK CIB 6031 BK p142 LCI 6021 BK LCIB 6021 BK p143 SCI 6021 BK p143 CCI 6021 BK p144 CI 6021 BK CIB 6021 BK p144

RÚSTICAS GAS



CCI 5003 BK p145 SCI 3002 BK p145 RCI 631 BK p146 LGI 9041 X p146 LGI 7041 X p147



LGD 631 X p147 GI 6031 X p148 GI 6004 X GIB 6004 X p148 GI 6021 X GIB 6021 X p149 GI 3002 X p149

KITCHENWARE



NEW YORK SET p150 PROFESSIONAL SET p150 CAST IRON GRILL p151



Cook at home as a real Chef!

PRO family

CATA offers the PRO family, which brings all the advantages of cooking at a low temperature to the countersink range, without the need for more appliances in its kitchen.

By controlling the temperature and cooking time, softer textures are obtained and all the flavour and nutritional properties of the foods are preserved.

In addition to the traditional cooking system for power levels, you can choose between two cooking modes for temperature control:

Precise mode: Direct and precise control through the external sensor Cod . 15100621 (optional). It allows to select the temperature in a range of 40°C to 180°C, at intervals of 1°C.

Fast Mode: Indirect control through the sensor located beneath each of the cooking zones. It allows to select the temperature in a range of 40°C to 100°C, at intervals of 10°C.

The tactile control with **5-inch TFT** screen offers intuitive and pleasant handling. It also has a hundred baking charts and recipes that will allow you to access the secrets of El Celler de Can Roca.



Connectivity

For the end user comfort and security **CATA** offers two types of connectivity between hob and hood:

AUTO connectivity



The hob automatically controls the hood adjusting its suction power to the cooking needs of each moment. Available in the RENOVA AIR range, TENTA with hob INSB 6032 BK/A and INSB 6030 WH.

AUTO 2 connectivity



The AUTO2 cooktop automatically controls the AUTO2 hood by adjusting its suction power to the cooking needs of the moment. Available on models ISLA BENNU SLIM /B and THALASSA PRO range with cooktops INSB 6028BK /A, IB 6403 E2 BK and IB 6324 E2 BK.

Flex areas

CATA has up to ten models with **modular zones** that extend the cooking zone allowing you to cook with rectangular or oval containers. The shape and size are no longer a problem.

Giant 32cm zone

CATA presents the INSB 6032 BK model with a 32cm diameter area for the largest containers.

Independent Slider Touch Control

CATA extends the range of models with independent slider. This way, the ease of handling of the slider control and the rapidity of the independent control by zone are united. This control offers the Pause function as well as three cooking functions:

Melt / Thaw

Warm / Keep warm

Low heat boiling

Continuous power regulation

Whatever the power level chosen, it remains stable and uninterrupted throughout the cooking process. Available in models INSB 6032 BK, INSB 6030, INSB 6028 and on all models in the GIGA family.

In addition, with the Power management limited to the contracted power you can use your induction cooktop without fear of blowing the fuse. INSB 6032 BK /A, INSB 6003E2 BK, INSB 6030 WH, INSB 6028 BK, INSB 6003E2 WH, IBS 6303E2, IB 6303E2 BK, IB 6403E2, IB 6324E2 BK.



Models for reduced depths

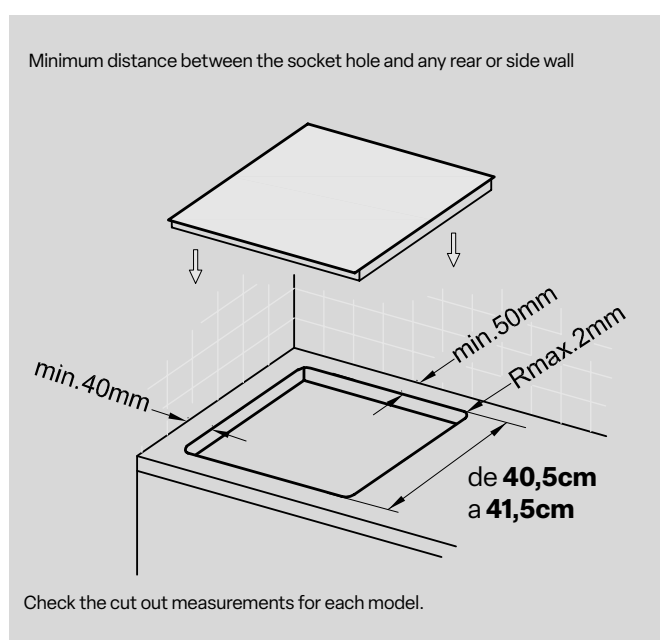
CATA offers a special range for the replacement in low-kitchens. Available in induction hob (IB 5003), high light hob (TT 5003) and glass gas (CCI 5003 BK). Combine them with CDP 780 AS and CM 760 AS ovens.

Reliability

Enamelled cast iron supports for better cooking stability and ease of cooking. Integral that allows the sliding of the kitchen pots without having to lift them.

Square support that improves stability with any type of utensil and even if we move it.

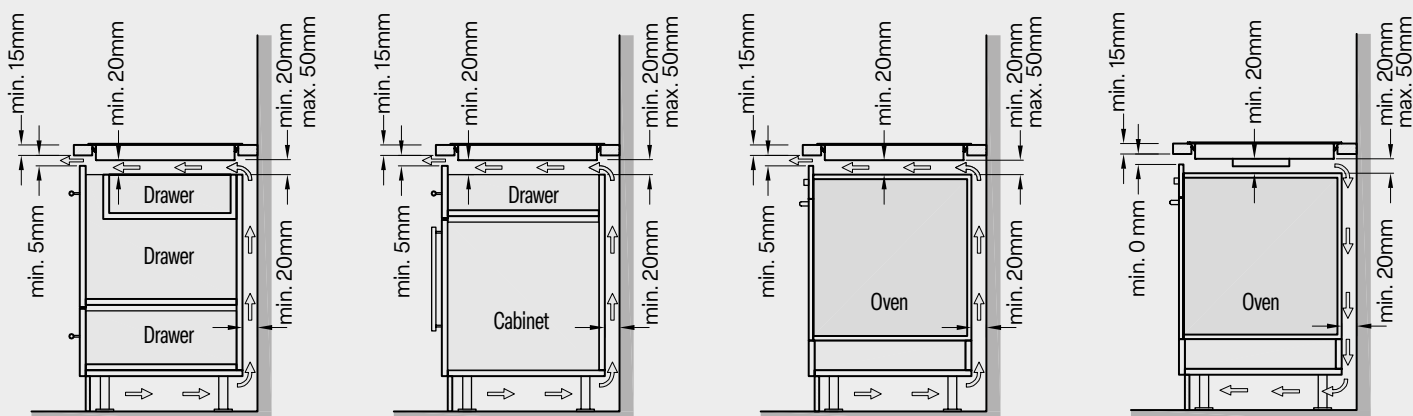
Safety valve and automatic ignition system for all burners of all models.



Installation for induction and high light hobs

CATA induction and high light hobs are easily installed. Following the ventilation instructions, a proper operation and long product life is guaranteed.

Installation diagram for induction hobs



Minimum distances for the correct ventilation



SURFACE INTEGRATION

The **AS 750** is a compact, integrated vacuum firing solution that adds the advantages of a flexible induction plate with a surface extractor and with a high efficiency brushless motor.

Island installation: it creates a clear space without visual obstacles giving more breadth to the kitchen.

Wall-mounted installation: it offers the possibility of cooking in front of a window or of having additional upper cabinets to take advantage of the space that would occupy a traditional hood.

FLEX ZONES: MODULAR ZONES EXPANDING THE COOKING AREA PERMITTED TO COOK WITH RECTANGULAR OR OVALATED CONTAINERS.

ELIMINATION OF SMOKES AND SMELLS IN THE POINT OF ORIGIN.

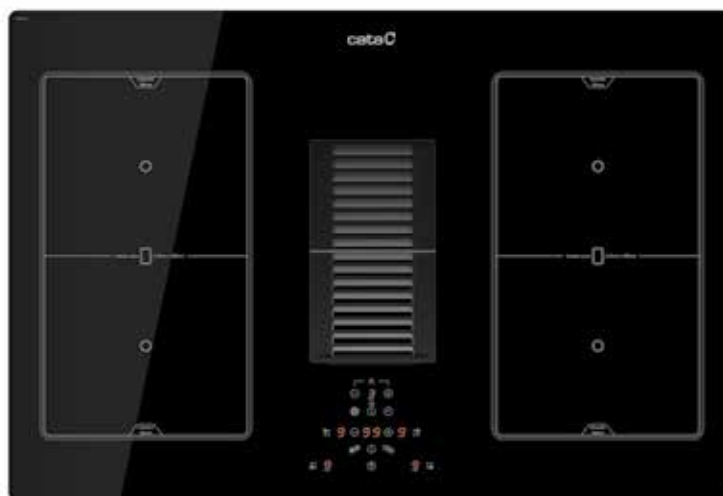


EASY DISHWASHER CLEANING OF FILTERS, GRILL AND CLEAN-LIQUIDS TRAY.



CENTRALIZED CONTROLS OF THE HOB AND THE EXTRACTOR IN A SAME POINT FOR EASY USE.
AUTO FUNCTION. THE HOOD OPERATES AUTOMATICALLY DEPENDING ON WHAT IS BEING COOKED.

INDUCTION & SURFACE COOKER HOOD



AS 750
Cod. **08000405** EAN **8422248109406**

NEW

A+ POWER SILENT
BRUSHLESS motor Flex Zone Induction



- **Touch Control Panel** with timer and cleaning filters indicator
- 6 extraction levels, 5 + 1 **TURBO** and **AUTO** function
- Extraction power (according to UNE/EN 61591): **580m³/h** - 200m³/h
- **Sound power (Reg. (EU) n°65/2014): 45dB(A)**, maximum: 64dB(A)
- Maximum air flow (free outlet): **950m³/h**
- BRUSHLESS motor. Ultra silent. Maximum energy consumption **135W**
- Airflow speed: 10 m/s
- Easy-to-install system
- Dishwasher-washable filters
- Max. Pressure: 357 Pa - TURBO Pressure: 365 Pa
- 150 mm outlet diameter
- **Energy Class: A**

Accessories (not included)

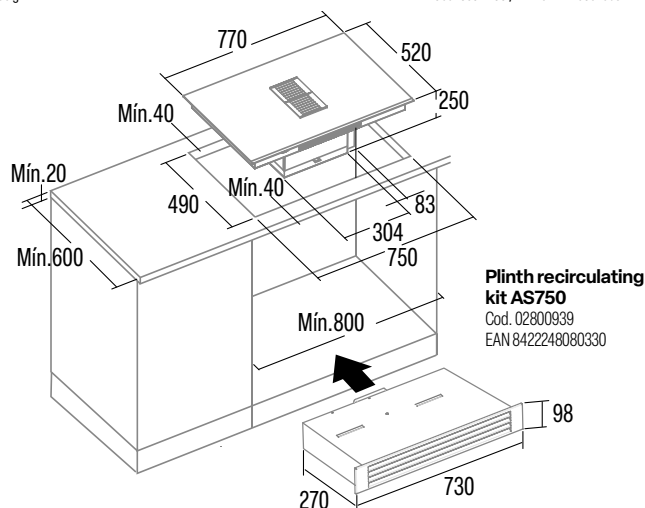
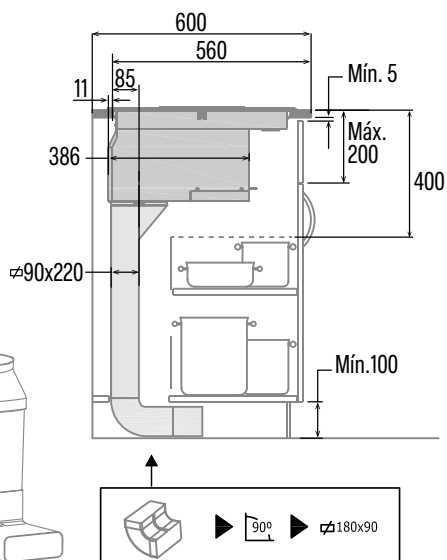
Recirculating kit Socket AS750 Cod. 02800939 / EAN 8422248080330
Filter replacement kit washable active carbon Cod. 02800937 / EAN 8422248078900

- **4 cooking areas:**
Front Right: 1 area **with Booster function** of 215mm x 190mm of 2 kW (max. 2.8kW)
Rear Right: 1 area **with Booster function** of 215mm x 190mm of 1.5 kW (max. 2kW)
Front Left: 1 area **with Booster function** of 215mm x 190mm of 2 kW (max. 2.8kW)
Rear Left: 1 area **with Booster function** of 215mm x 190mm of 1.5 kW (max. 2kW)
- **2 modular double areas** measuring 215mm x 380mm of 1.5 kW (max. 2kW)

- **Touch Control** with acoustic warning
- 9 adjustable power levels + Booster
- Timer function for each area
- Countdown alarm
- Automatic pan detection
- Safety lock
- Residual heat indicator
- Automatic safety switch-off
- **Frontal level**
- **77 cm wide**
- **Power management (induction + extraction) 7.35kW**

Accessories (not included)

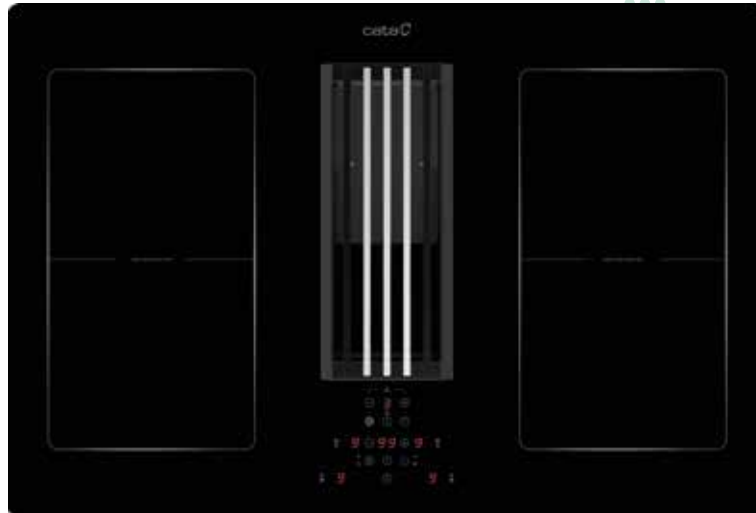
Barbecue grill Cod. 03017400 / EAN 8422248082563



Plinth recirculating kit AS750
Cod. 02800939
EAN 8422248080330



INDUCTION & SURFACE COOKER HOOD



IAS 770

Cod. **08000403** EAN **8422248102568**



Flex Zone Induction



- **Touch Control Panel** with timer and cleaning filters indicator
- 5 extraction levels, 4+ **1 TURBO**
- Extraction power (according to UNE/EN 61591): **580m³/h** - 200m³/h
- **Sound power (Reg. (EU) n°65/2014): 40dB(A)**, maximum: 64dB(A)
- Maximum air flow (free outlet): **950m³/h**
- BRUSHLESS motor. Ultra silent. Maximum energy consumption **135W**
- Airflow speed: 10 m/s
- Easy-to-install system
- Dishwasher-washable filters
- Max. Pressure: 357 Pa - TURBO Pressure: 365 Pa
- 150 mm outlet diameter
- **Energy Class: A**

Accessories (not included)

Plinth recirculating Kit AS600 Cod. 02801000 / EAN 8422248355339
Rectangular duct kit Cod. 02800992 / EAN 8422248112765

- **4 cooking areas:**
Front Right: 1 area **with Booster function** of 215mm x 190mm of 1.6 kW (max. 1.85kW)
Rear Right: 1 area **with Booster function** of 215mm x 190mm of 2.1 kW (max. 3kW)
Front Left: 1 area **with Booster function** of 215mm x 190mm of 1.6 kW (max. 1.85kW)
Rear Left: 1 area **with Booster function** of 215mm x 190mm of 2.1 kW (max. 3kW)
- **2 modular double areas** measuring 215mm x 380mm of 3.7kW

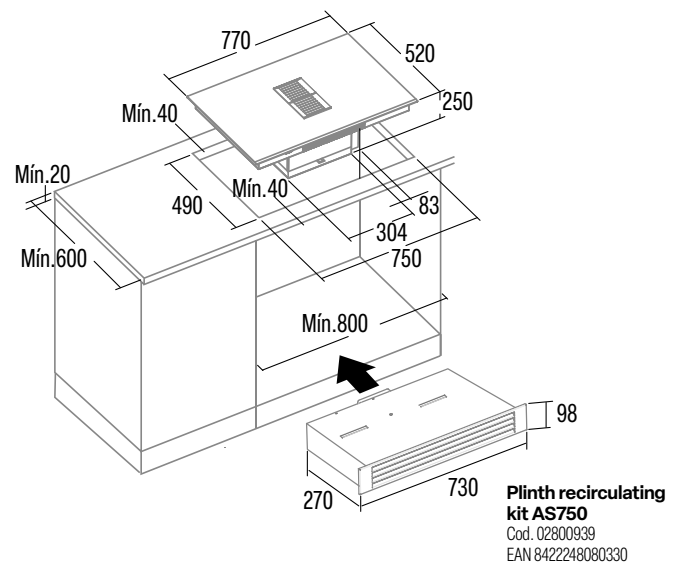
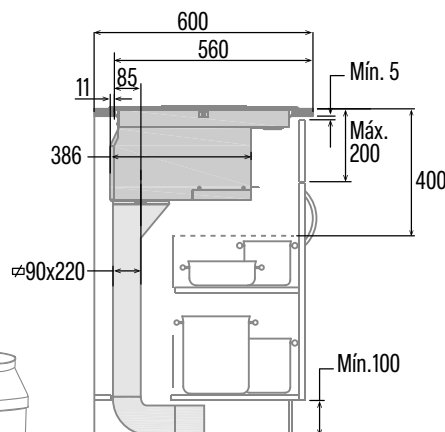
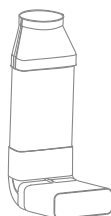
- **Touch Control** with acoustic warning
- 9 adjustable power levels + Booster
- Timer function for each area
- Countdown alarm
- Automatic pan detection
- Safety lock
- Residual heat indicator
- Automatic safety switch-off
- **77 cm wide**
- **Power management (induction + extraction) 7.53kW**



Accessories (not included)

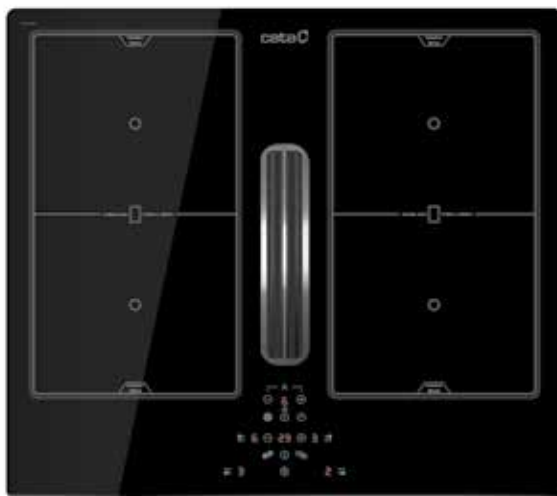
Barbecue grill Cod. 03017400 / EAN 8422248082563

Rectangular duct kit
Cod. 02800992
EAN 8422248112765



Plinth recirculating kit AS750
Cod. 02800939
EAN 8422248080330

INDUCTION & SURFACE COOKER HOOD



AS 600

Cod. **08000406** EAN **8422248198554**



BRUSHLESS motor

Flex Zone Induction



- **Touch Control Panel** with timer and cleaning filters indicator
- 6 extraction levels, 5 + 1 **TURBO** and **AUTO** function
- Extraction power (according to UNE/EN 61591): **531m³/h** - 246m³/h
- **Sound power (Reg. (EU) n°65/2014): 45dB(A)**, maximum: 64dB(A)
- Maximum air flow (free outlet): **950m³/h**
- BRUSHLESS motor. Ultra silent. Maximum energy consumption **135W**
- Airflow speed: 10 m/s
- Easy-to-install system
- Dishwasher-washable filters
- Max. Pressure: 357 Pa - TURBO Pressure: 365 Pa
- 150 mm outlet diameter
- **Energy Class: A+**

Accessories (not included)

Recirculating kit Socket AS750 Cod. 02800939 / EAN 8422248080330
 Filter replacement kit washable active carbon Cod. 02800937 / EAN 8422248078900

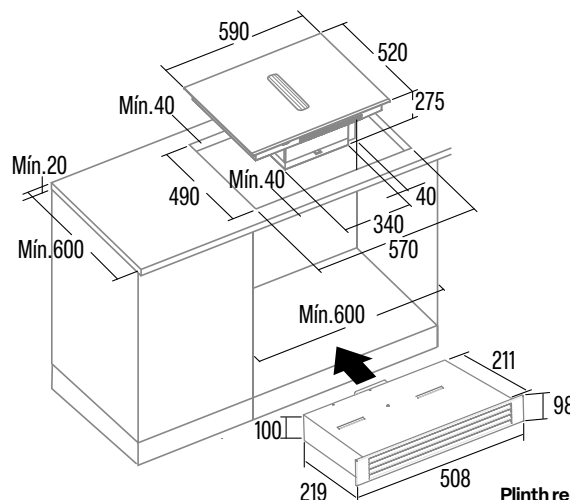
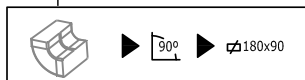
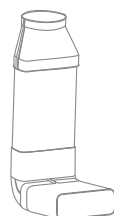
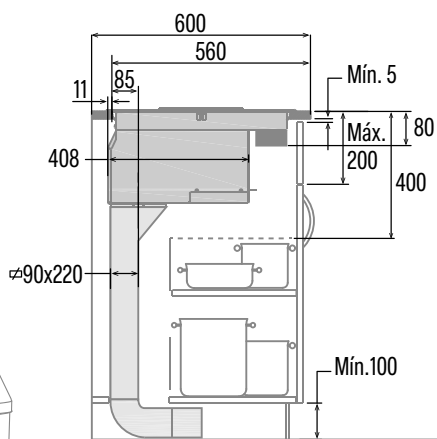
- **4 cooking areas:**
 Front Right: 1 area **with Booster function** of 215mm x 190mm of 1.6 kW (max. 1.85kW)
 Rear Right: 1 area **with Booster function** of 215mm x 190mm of 2.1 kW (max. 3kW)
 Front Left: 1 area **with Booster function** of 215mm x 190mm of 1.6 kW (max. 1.85kW)
 Rear Left: 1 area **with Booster function** of 215mm x 190mm of 2.1 kW (max. 3kW)
2 modular double areas measuring 215mm x 380mm of 3.7kW

- **Touch Control** with acoustic warning
- 9 adjustable power levels + Booster
- Timer function for each area
- Countdown alarm
- Automatic pan detection
- Safety lock
- Residual heat indicator
- Automatic safety switch-off
- **Frontal bevel**
- **59 cm wide**
- **Power management (induction + extraction) 7.35kW**

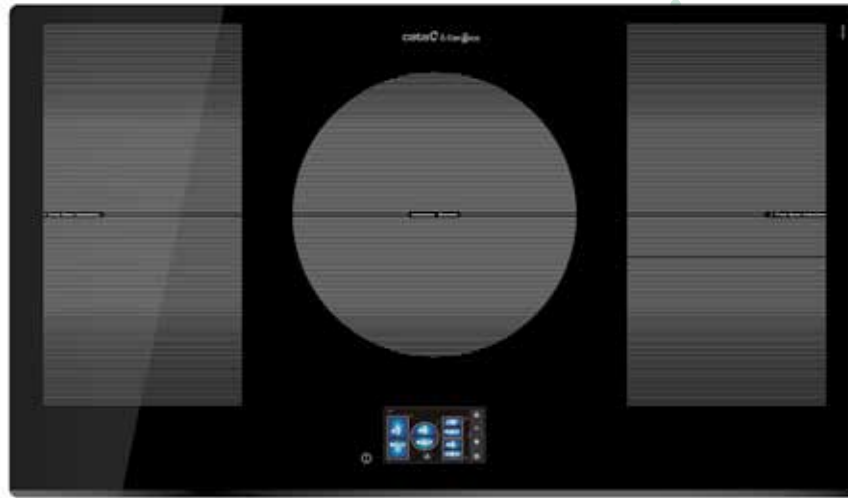


Accessories (not included)

Barbecue grill Cod. 03017400 / EAN 8422248082563



Plinth recirculating kit AS600
 Cod. 02801000
 EAN 8422248355339



Flex Zone Induction
Giant Area



IDF 9012 PRO BK

Cod. **08024202** EAN **8422248079631**



• **5 cooking areas:**

Front Right: 1 area **with Booster function** of 210 x 200mm of 2kW (max. 2.8kW)

Rear Right: 1 area **with Booster function** of 210 x 200mm of 1.5kW (max. 2kW)

Center: 1 area **with Booster function** of Ø300mm of 2.3kW (max. 3kW)

Front Left: 1 area **with Booster function** of 210 x 200mm of 1.5kW (max. 2kW)

Rear Left: 1 area **with Booster function** of 210 x 200mm of 2kW (max. 2.8kW)

2 modular areas with Booster function of 210x400mm of 3kW (max. 3.5kW)



• **5" TFT touch control**

• **Temperature control functions Fast & Precise (40°C-180°C)**

• **Access to "El Celler de Can Roca" recipes**

• Low temperature cooking tables of "El Celler de Can Roca"

• 9 adjustable power levels + Booster

• PRO connectivity for full control of the CATA PRO hoods

• Pause Function

• Timer function for each area

• Countdown alarm

• Automatic pan detection

• Safety lock

• Residual heat indicator

• Automatic safety switch-off

• **Frontal bevel**

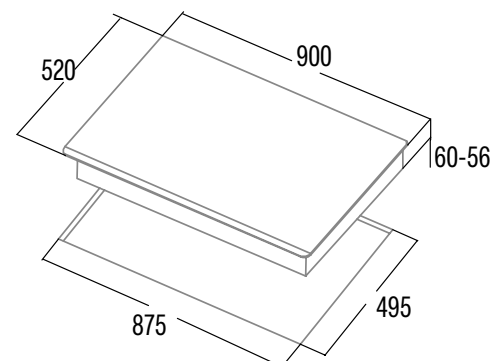
• **90 cm wide**

• **Power management 9kW (limitable)**

Accessories (not included)

Sensor for low-temperature cooking Cod. 15100621 / EAN 8422248072038

Barbecue grill Cod. 03017400 / EAN 8422248082563

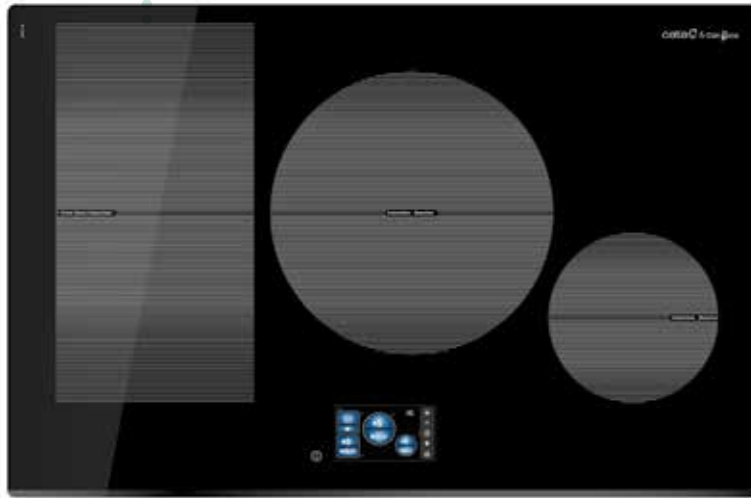


BEST
restaurant
IN THE WORLD
2013 & 2015

cata & **Can Roca**

INDUCTIONHOBBS

cata
green innovation



Flex Zone Induction
Giant Area

IDF 8021 PRO BK
Cod. **08081206** EAN **8422248079648**



4 cooking areas:

- Front Right: 1 area **with Booster function** of Ø180mm of 1.2kW (max. 1.5kW)
- Center: 1 area **with Booster function** of Ø300mm of 2.3kW (max. 3kW)
- Front Left: 1 area **with Booster function** of 210 x 200mm of 1.5kW (max. 2kW)
- Rear Left: 1 area **with Booster function** of 210 x 200mm of 2kW (max. 2.8kW)
- 1 modular area with Booster function** of 210x400mm of 3kW (max. 3.5kW)

5" TFT touch control

Temperature control functions Fast & Precise (40°C-180°C)

Access to "El Celler de Can Roca" recipes

- Low temperature cooking tables of "El Celler de Can Roca"
- 9 adjustable power levels + Booster
- PRO connectivity for full control of the CATA PRO hoods
- Pause Function
- Timer function for each area
- Countdown alarm
- Automatic pan detection
- Safety lock
- Residual heat indicator
- Automatic safety switch-off

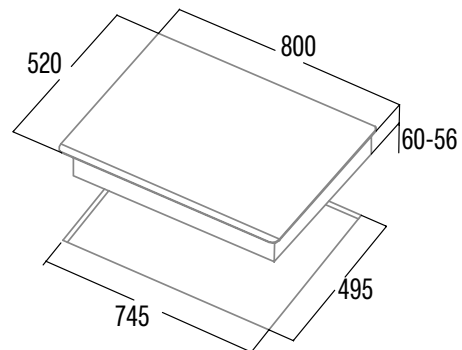
Frontal bevel

80 cm wide

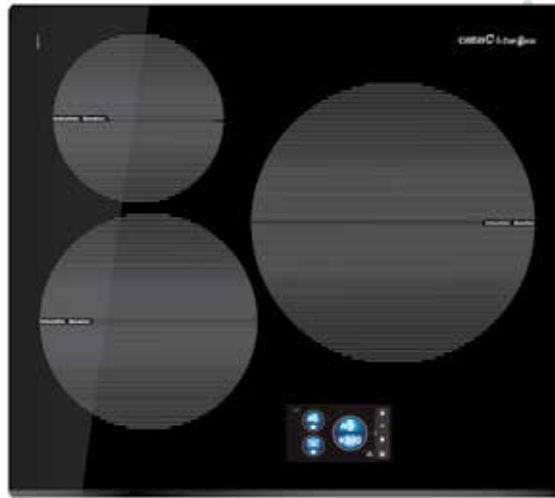
Power management 7.2kW (limitable)

Accessories (not included)

- Sensor for low-temperature cooking Cod. 15100621 / EAN 8422248072038
- Barbecue grill Cod. 03017400 / EAN 8422248082563



HOBS



IDB 6003 PRO BK
Cod. **08063102** EAN **8422248077675**



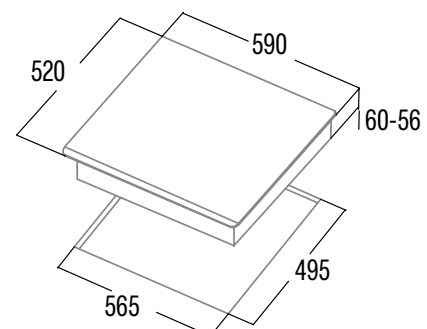
- **3 cooking areas:**
Right: 1 area **with Booster function** of Ø300mm of 2.3kW (max. 3kW)
Front Left: 1 area **with Booster function** of Ø230mm of 2.3kW (max. 2.6kW)
Rear Left: 1 area **with Booster function** of Ø180mm of 1.2kW (max. 1.5kW)
- **5" TFT touch control**
- **Temperature control functions Fast & Precise (40°C-180°C)**
- **Access to "El Celler de Can Roca" recipes**
- Low temperature cooking tables of "El Celler de Can Roca"
- 9 adjustable power levels + Booster
- PRO connectivity for full control of the CATA PRO hoods
- Pause Function
- Timer function for each area
- Countdown alarm
- Automatic pan detection
- Safety lock
- Residual heat indicator
- Automatic safety switch-off
- **Frontal bevel**
- **59 cm wide**
- **Power management 7.1kW (limitable)**

Accessories (not included)

Sensor for low-temperature cooking Cod. 15100621 / EAN 8422248072038



Giant Area

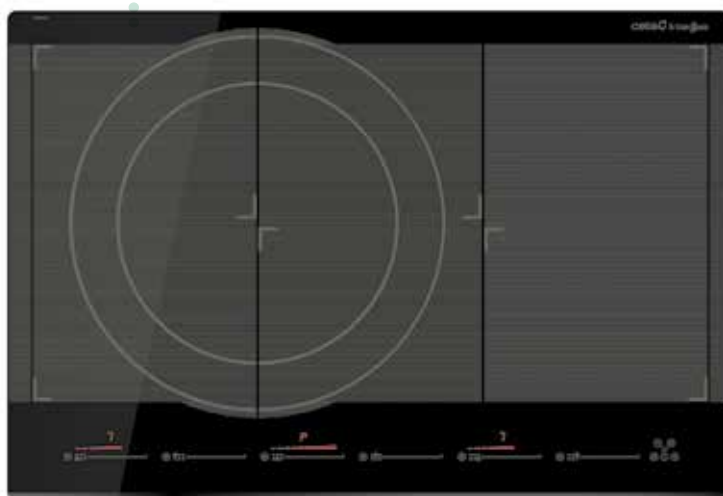


BEST
restaurant
IN THE WORLD
2013 & 2015

cata & **Can Rocca**

cata
green innovation

INDUCTION HOBS



Continuous power regulation

Flex Zone Induction Giant Area

GIGA 750 BK

Cod. **08026001** EAN **8422248054485**



• **6 cooking areas:**

- Front Right: 1 area **with Booster function** of 237x189mm of 2.1kW (max. 3.7kW)
- Rear Right: 1 area **with Booster function** of 237x189mm of 2.1kW (max. 3.7kW)
- Front Center: 1 area **with Booster function** of 237x189mm of 2.1kW (max. 3.7kW)
- Rear Center: 1 area **with Booster function** of 237x189mm of 2.1kW (max. 3.7kW)
- Front Left: 1 area **with Booster function** of 237x189mm of 2.1kW (max. 3.7kW)
- Rear Left: 1 area **with Booster function** of 237x189mm of 2.1kW (max. 3.7kW)

■ **3 modular areas** of 237x378mm of 3.7kW

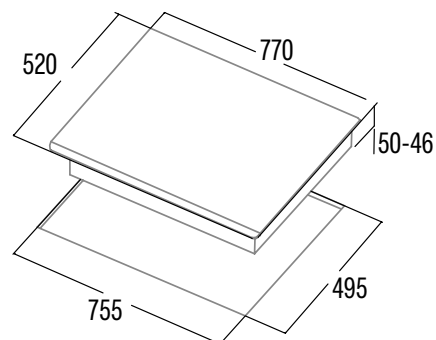
● **1 modular giant area measuring Ø400 mm**

- **Continuous power regulation**
- **Slider Touch Control for each area**
- It has three **temperature functions:**
 - Melting / Defrosting (42°C)**
 - Heating / Keeping warm (70°C)**
 - Simmering (94°C)**
- 9 adjustable power levels + Booster
- Timer function for each area
- Countdown alarm
- **Intelligent pan detection**
- Safety lock
- Residual heat indicator
- Automatic safety switch-off
- **Frontal bevel**
- **77 cm** wide
- **Power management 11kW**



Accessories (not included)

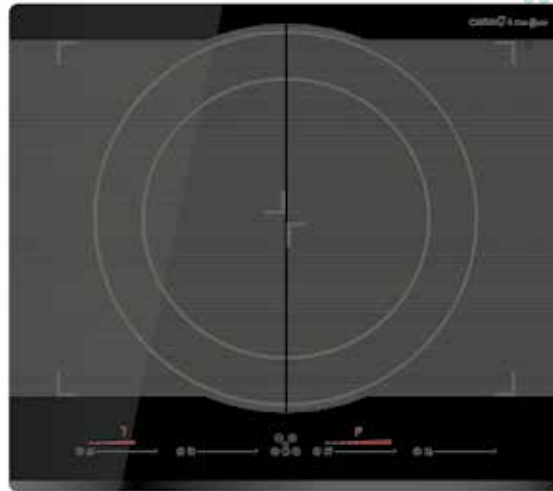
Barbecue grill Cod. 03017400 / EAN 8422248082563



HOBS

INDUCTIONHOBS

cata & can Roca



Continuous power
regulation

Flex Zone Induction
Giant Area

GIGA 600 BK

Cod. **08026002** EAN **8422248059190**



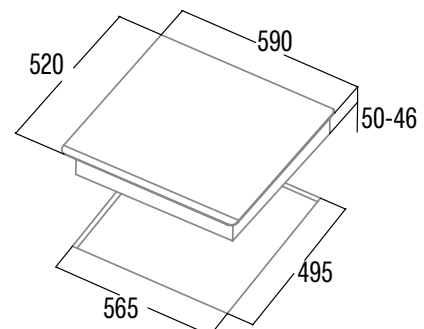
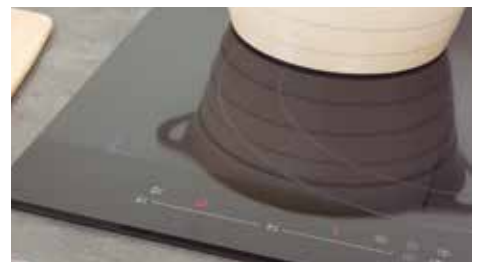
- **4 cooking areas:**
Front Right: 1 area **with Booster function** of 237x189mm of 2.1kW (max. 3.7kW)
Rear Right: 1 area **with Booster function** of 237x189mm of 2.1kW (max. 3.7kW)
Front Left: 1 area **with Booster function** of 237x189mm of 2.1kW (max. 3.7kW)
Rear Left: 1 area **with Booster function** of 237x189mm of 2.1kW (max. 3.7kW)

- **2 modular areas** of 237x378mm of 3.7kW
- 1 modular **giant area** measuring **Ø400 mm**

- **Continuous power regulation**
- **Slider Touch Control** for each area
- It has three **temperature functions:**
Melting / Defrosting (42°C)
Heating / Keeping warm (70°C)
Simmering (94°C)
- 9 adjustable power levels + Booster
- Timer function for each area
- Countdown alarm
- **Intelligent pan detection**
- Safety lock
- Residual heat indicator
- Automatic safety switch-off
- **Frontal bevel**
- **59 cm** wide
- **Power management 7.4kW**

Accessories (not included)

Barbecue grillCod. 03017400 / EAN 8422248082563

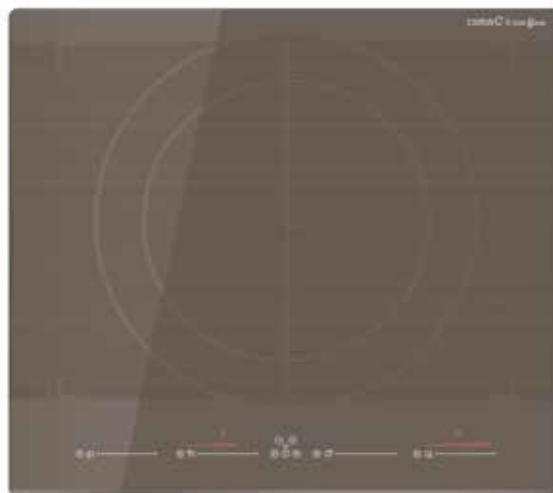
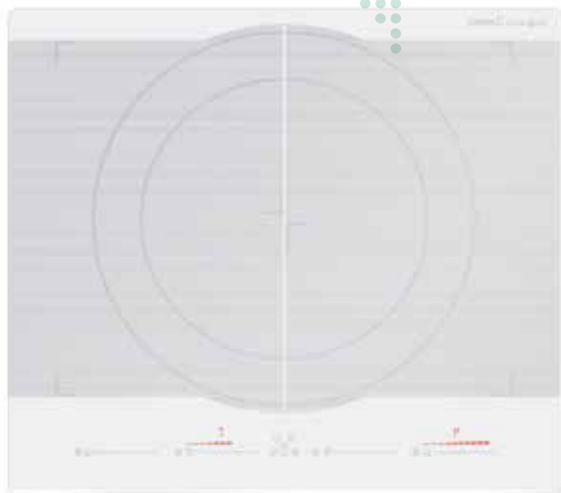


BEST
restaurant
IN THE WORLD
2013 & 2015

cata & **Can Rocca**

cata
green innovation

INDUCTION HOBS



Continuous power regulation

Flex Zone Induction Giant Area

GIGA 600 WH

Cod. **08026003** EAN **8422248059206**

GIGA 600 SD

Cod. **08026609** EAN **8422248069014**



• **4 cooking areas:**

- Front Right: 1 area **with Booster function** of 237x189mm of 2.1kW (max. 3.7kW)
- Rear Right: 1 area **with Booster function** of 237x189mm of 2.1kW (max. 3.7kW)
- Front Left: 1 area **with Booster function** of 237x189mm of 2.1kW (max. 3.7kW)
- Rear Left: 1 area **with Booster function** of 237x189mm of 2.1kW (max. 3.7kW)

- **2 modular areas** of 237x378mm of 3.7kW
- **1 modular giant area measuring Ø400 mm**

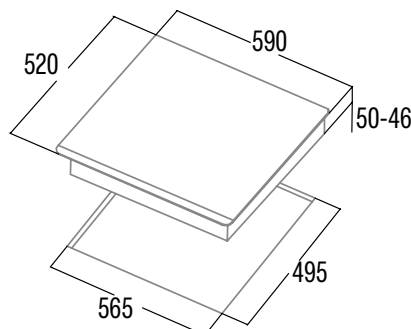
- **Continuous power regulation**
- **Slider Touch Control for each area**
- It has three **temperature functions:**
 - Melting / Defrosting (42°C)**
 - Heating / Keeping warm (70°C)**
 - Simmering (94°C)**

- 9 adjustable power levels + Booster
- Timer function for each area
- Countdown alarm
- **Intelligent pan detection**
- Safety lock
- Residual heat indicator
- Automatic safety switch-off
- **Frontal bevel**
- **59 cm wide**
- **Power management 7.4kW**



Accessories (not included)

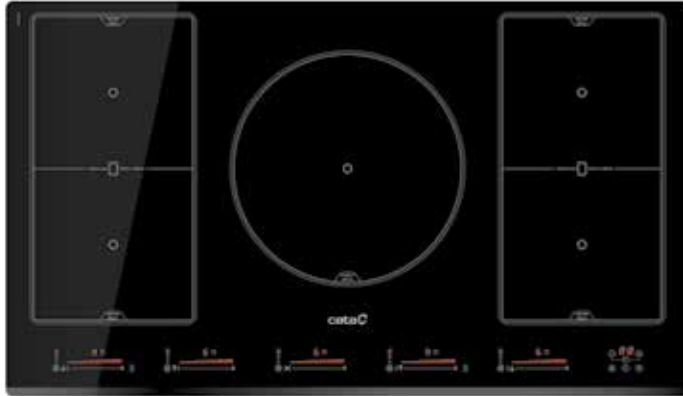
Barbecue grillCod. 03017400 / EAN 8422248082563



HOBS



INDUCTIONHOBS



Induction Flex Zone
Giant Zone

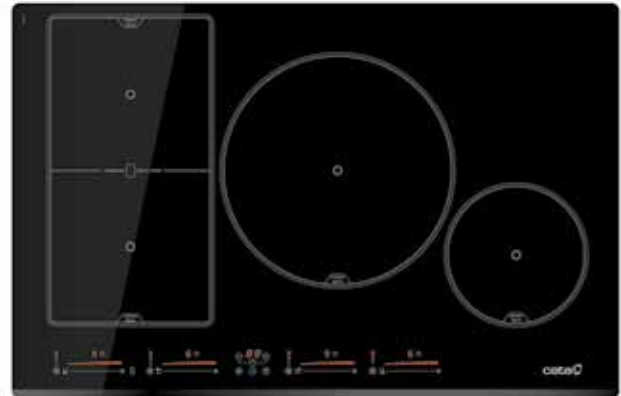
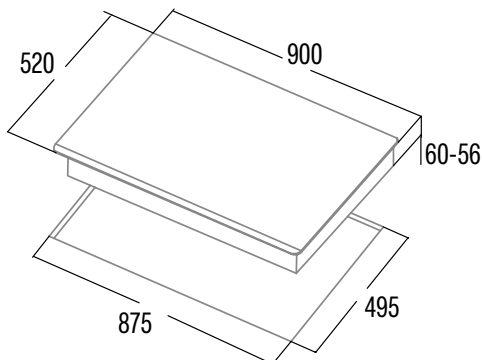
INSB 9012 BK
Cod. **08024402** EAN **8422248109413**



- **5 cooking areas:**
Front Right: 1 area **with Booster function** of 210 x 200mm of 2kW (max. 2.8kW)
Rear Right: 1 area **with Booster function** of 210 x 200mm of 1.5kW (max. 2kW)
Center: 1 area **with Booster function** of Ø300mm of 2.3kW (max. 3kW)
Front Left: 1 area **with Booster function** of 210 x 200mm of 1.5kW (max. 2kW)
Rear Left: 1 area **with Booster function** of 210 x 200mm of 2kW (max. 2.8kW)
2 modular areas with Booster function of 210x400mm of 3kW (max. 3.5kW)

- **Slider Touch Control for each area**
- It has three **temperature functions:**
Melting / Defrosting (45-55°C)
Heating / Keeping warm (65-70°C)
Simmering (85-95°C)
- 9 adjustable power levels + Booster
- Pause Function
- Timer function for each area
- Countdown alarm
- Automatic pan detection
- Safety lock
- Residual heat indicator
- Automatic safety switch-off
- **Frontal bevel**
- **90 cm wide**
- **Power management 9kW**

Accessories (not included)
Barbecue grillCod. 03017400 / EAN 8422248082563



Induction Flex Zone
Giant Zone

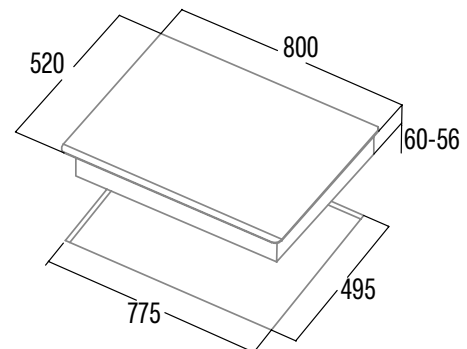
INSB 8021 BK
Cod. **08081401** EAN **8422248109536**



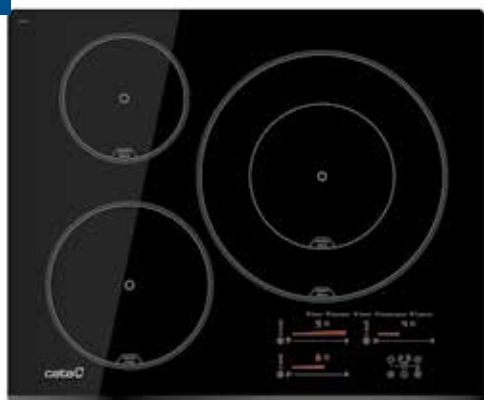
- **4 cooking areas:**
Front Right: 1 area **with Booster function** of Ø180mm of 1.2kW (max. 1.5kW)
Center: 1 area **with Booster function** of Ø300mm of 2.3kW (max. 3kW)
Front Left: 1 area **with Booster function** of 210 x 200mm of 1.5kW (max. 2kW)
Rear Left: 1 area **with Booster function** of 210 x 200mm of 2kW (max. 2.8kW)
1 modular areas with Booster function of 210x400mm of 3kW (max. 3.5kW)

- **Slider Touch Control for each area**
- It has three **temperature functions:**
Melting / Defrosting (45-55°C)
Heating / Keeping warm (65-70°C)
Simmering (85-95°C)
- 9 adjustable power levels + Booster
- Pause Function
- Timer function for each area
- Countdown alarm
- Automatic pan detection
- Safety lock
- Residual heat indicator
- Automatic safety switch-off
- **Frontal bevel**
- **80 cm wide**
- **Power management 7.2kW**

Accessories (not included)
Barbecue grillCod. 03017400 / EAN 8422248082563



INDUCTION HOBS

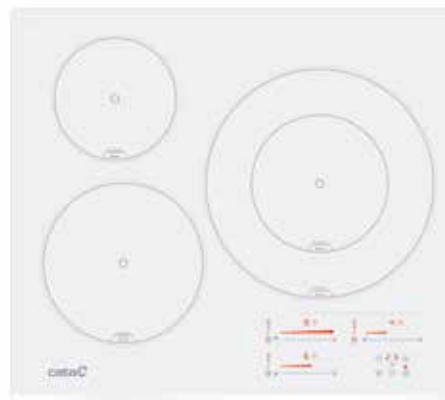
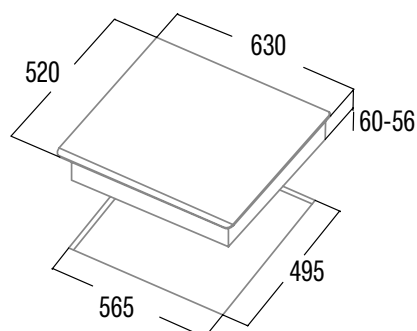


Continuous power regulation
Giant Zone

INSB 6032 BK
Cod. **08063404** EAN **8422248109482**



- **3 cooking areas:**
Right: **1 giant double area with Booster function** of $\varnothing 320/190\text{mm}$ of 3/1.5kW (max.3.6/1.8kW)
Front Left: 1 area **with Booster function** of $\varnothing 210\text{mm}$ of 2.3kW (max. 2.6kW)
Rear Left: 1 area **with Booster function** of $\varnothing 160\text{mm}$ of 1.2kW (max. 1.5kW)
- **Continuous power regulation**
- **Slider Touch Control for each area**
- It has three **temperature functions:**
Melting / Defrosting (45-55°C)
Heating / Keeping warm (65-70°C)
Simmering (85-95°C)
- 9 adjustable power levels + Booster
- AUTO connectivity for automatic control of the CATA AUTO hoods
- Pause Function
- Timer function for each area
- Countdown alarm
- Automatic pan detection
- Safety lock
- Residual heat indicator
- Automatic safety switch-off
- **Frontal bevel**
- **63 cm** wide
- **Power management 7.1kW**

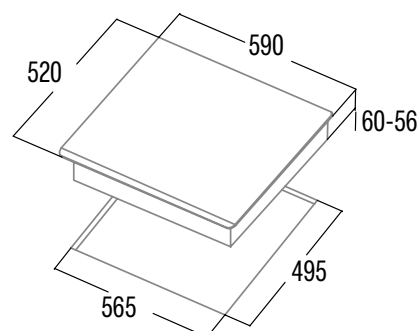


Continuous power regulation
Giant Zone

INSB 6030 WH
Cod. **08053000** EAN **8422248108607**



- **3 cooking areas:**
Right: **1 giant double area with Booster function** of $\varnothing 300/180\text{mm}$ of 3/1.5kW (max.3.6/1.8kW)
Front Left: 1 area **with Booster function** of $\varnothing 210\text{mm}$ of 2.3kW (max. 2.6kW)
Rear Left: 1 area **with Booster function** of $\varnothing 160\text{mm}$ of 1.2kW (max. 1.5kW)
- **Continuous power regulation**
- **Slider Touch Control for each area**
- It has three **temperature functions:**
Melting / Defrosting (45-55°C)
Heating / Keeping warm (65-70°C)
Simmering (85-95°C)
- 9 adjustable power levels + Booster
- AUTO connectivity for automatic control of the CATA AUTO hoods
- Pause Function
- Timer function for each area
- Countdown alarm
- Automatic pan detection
- Safety lock
- Residual heat indicator
- Automatic safety switch-off
- **Frontal bevel**
- **59 cm** wide
- **Power management 7.1kW**





INDUCTIONHOBS

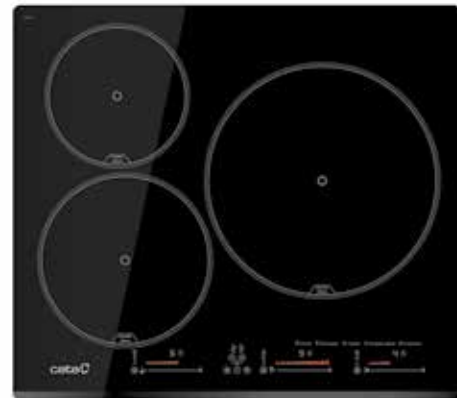
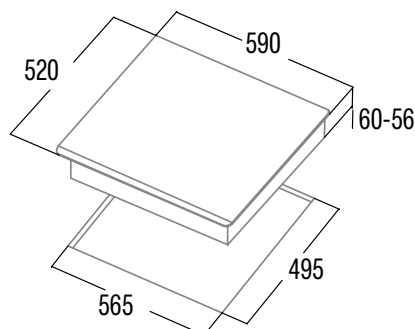


Continuous power regulation

INSB 6028 BK
Cod. **08063500** EAN **8422248108577**



- **3 cooking areas:**
Front Left: 1 area with **Booster function** of Ø210mm of 2.3kW (max. 2.6kW)
Rear Left: 1 area with **Booster function** of Ø160mm of 1.2kW (max. 1.5kW)
Right: 1 area with **Booster function** of ø280/180mm of 3/1.5kW (max. 3.6/1.8kW)
- **Continuous power regulation**
- **Slider Touch Control** for each area
- **It has three temperature functions:**
Melting / Defrosting (45-55°C)
Heating / Keeping warm (65-70°C)
Simmering (85-95°C)
- **AUTO 2 connectivity for automatic control of the CATA AUTO 2 hoods**
- 9 adjustable power levels + Booster
- Pause Function
- Timer function for each area
- Countdown alarm
- Automatic pan detection
- Safety lock
- Residual heat indicator
- Automatic safety switch-off
- **Frontal bevel**
- **59 cm wide**
- **Power management 7.1kW**



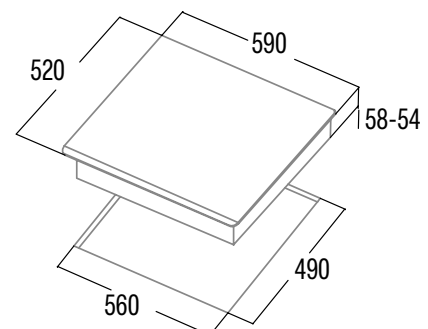
Giant Zone

INSB 6003 E2 BK
Cod. **08063122** EAN **8422248355735**

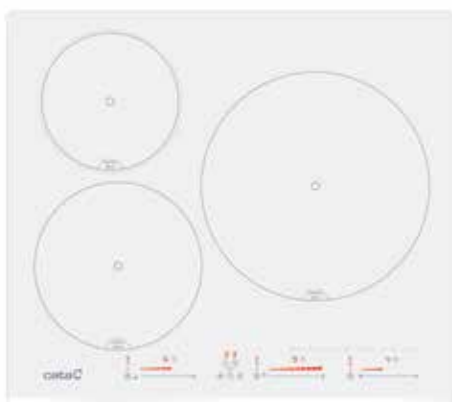
NEW



- **3 cooking areas:**
Right: 1 area with **Booster function** of Ø300mm of 2.3kW (max. 3kW)
Front Left: 1 area with **Booster function** of Ø230mm of 2.3kW (max. 2.6kW)
Rear Left: 1 area with **Booster function** of Ø180mm of 1.2kW (max. 1.5kW)
- **Slider Touch Control for each area**
- **It has three temperature functions:**
Melting / Defrosting (45-55°C)
Heating / Keeping warm (65-70°C)
Simmering (85-95°C)
- 9 adjustable power levels + Booster
- Pause Function
- Timer function for each area
- Countdown alarm
- Automatic pan detection
- Safety lock
- Residual heat indicator
- Automatic safety switch-off
- **Frontal bevel**
- **59 cm wide**
- **Installation without front ventilation slot**
- **Power management 7.1kW**



INDUCTION HOBS



Desnat. Descongelar Calentar Mantener caliente Fuego lento

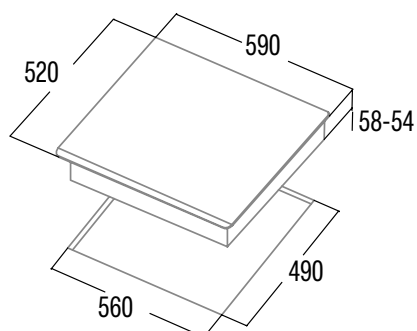
Giant Zone

INSB 6003 E2 WH
Cod. **08063123** EAN **8422248357159**

NEW



- **3 cooking areas:**
Right: 1 area **with Booster function** of Ø300mm of 2.3kW (max. 3kW)
Front Left: 1 area **with Booster function** of Ø230mm of 2.3kW (max. 2.6kW)
Rear Left: 1 area **with Booster function** of Ø180mm of 1.2kW (max. 1.5kW)
- **Slider Touch Control for each area**
- It has three **temperature functions:**
Melting / Defrosting (45-55°C)
Heating / Keeping warm (65-70°C)
Simmering (85-95°C)
- 9 adjustable power levels + Booster
- Pause Function
- Timer function for each area
- Countdown alarm
- Automatic pan detection
- Safety lock
- Residual heat indicator
- Automatic safety switch-off
- **Frontal bevel**
- **59 cm wide**
- **Installation without front ventilation slot**
- **Power management 7.1kW**



Desnat. Descongelar Calentar Mantener caliente Fuego lento

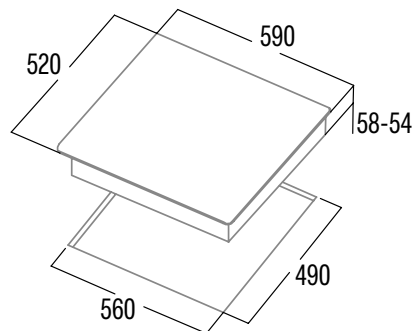
Giant Zone

IBS 6303 E2 BK
Cod. **08063116** EAN **8422248351836**

NEW



- **3 cooking areas:**
Right: 1 area **with Booster function** of Ø280mm of 2.3kW (max. 3kW)
Front Left: 1 area **with Booster function** of Ø210mm of 2.3kW (max. 2.6kW)
Rear Left: 1 area **with Booster function** of Ø160mm of 1.2kW (max. 1.5kW)
- **Slider Touch Control for each area**
- It has three **temperature functions:**
Melting / Defrosting (45-55°C)
Heating / Keeping warm (65-70°C)
Simmering (85-95°C)
- 9 adjustable power levels + Booster
- Pause Function
- Timer function for each area
- Countdown alarm
- Automatic pan detection
- Safety lock
- Residual heat indicator
- Automatic safety switch-off
- **59 cm wide**
- **Installation without front ventilation slot**
- **Power management 7.1kW**





INDUCTIONHOBS

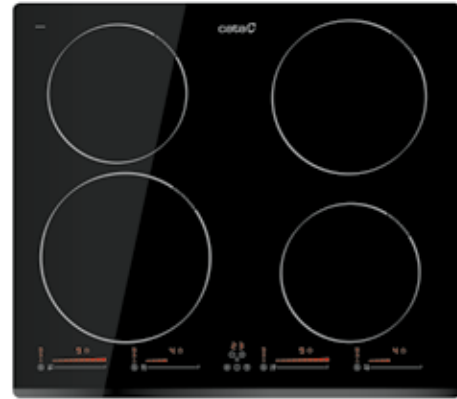
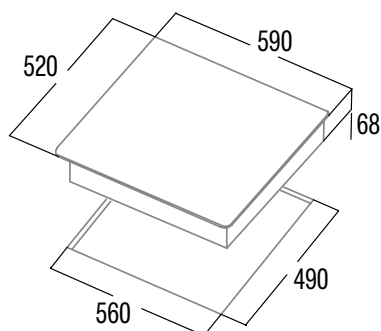


ISB 603 BK
Cod. **08073212** EAN **8422248112703**

NEW



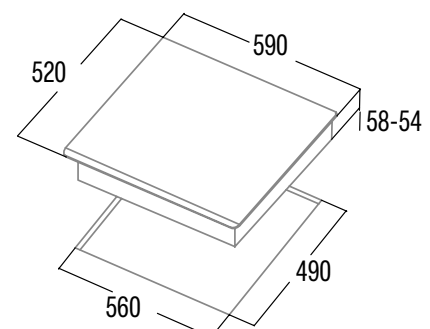
- **3 cooking areas:**
Right: 1 area with **Booster function** of $\varnothing 280\text{mm}$ of 2.3kW (max. 3kW)
Front Left: 1 area with **Booster function** of $\varnothing 210\text{mm}$ of 2.3kW (max. 2.6kW)
Rear Left: 1 area of $\varnothing 160\text{mm}$ of 1.2kW (max. 1.5kW)
- **Slider Touch Control** with acoustic warning
- 9 adjustable power levels + Booster
- Timer function for each area
- Countdown alarm
- Automatic pan detection
- Safety lock
- Residual heat indicator
- Automatic safety switch-off
- **Frontal bevel**
- **59 cm wide**
- **Power management 7.1kW**



INSB 6004 BK
Cod. **08040406** EAN **8422248079594**



- **4 cooking areas:**
Front Right: 1 area with **Booster function** of $\varnothing 185\text{mm}$ of 1.2kW (max. 1.5kW)
Rear Right: 1 area with **Booster function** of $\varnothing 200\text{mm}$ of 1.8kW (max. 2.3kW)
Front Left: 1 area with **Booster function** of $\varnothing 225\text{mm}$ of 2.3kW (max. 2.6kW)
Rear Left: 1 area with **Booster function** of $\varnothing 185\text{mm}$ of 1.2kW (max. 1.5kW)
- Slider Touch Control for each area
- It has three **temperature functions:**
Melting / Defrosting (45-55°C)
Heating / Keeping warm (65-70°C)
Simmering (85-95°C)
- 9 adjustable power levels + Booster
- Pause Function
- Timer function for each area
- Countdown alarm
- Automatic pan detection
- Safety lock
- Residual heat indicator
- Automatic safety switch-off
- **Frontal bevel**
- **59 cm wide**
- **Power management 7.2kW**



INDUCTION HOBS



IB 6303 E2 BK
Cod. **08063120** EAN **8422248355919**

NEW



3 cooking areas:

- Right: 1 area with **Booster function** of Ø280mm of 2.3kW (max. 3kW)
- Front Left: 1 area with **Booster function** of Ø210mm of 2.3kW (max. 2.6kW)
- Rear Left: 1 area with **Booster function** of Ø160mm of 1.2kW (max. 1.5kW)

- Touch Control with acoustic warning
- It has three **temperature functions:**

Melting / Defrosting (45-55°C)
Heating / Keeping warm (65-70°C)
Simmering (85-95°C)

- 9 adjustable power levels + Booster
- Timer function for each area
- Countdown alarm
- Automatic pan detection
- Safety lock
- Residual heat indicator
- Automatic safety switch-off
- **59 cm** wide
- **Installation without front ventilation slot**
- **Power management 7.1kW**

IB 6403 E2 BK
Cod. **08063121** EAN **8422248355926**

NEW



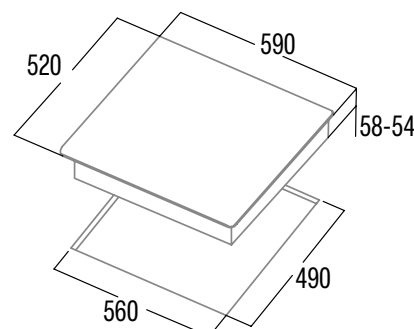
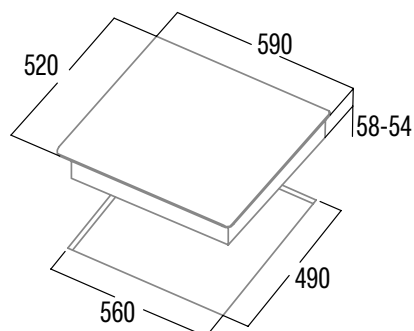
3 cooking areas:

- Right: 1 area with **Booster function** of ø250mm of 1,8kw (máx. 2,3kW)
- Front Left: 1 area of Ø180mm of 1,8kW
- Rear Left: 1 area of Ø160mm of 1,5kW

- Touch Control with acoustic warning
- It has three **temperature functions:**

Melting / Defrosting (45-55°C)
Heating / Keeping warm (65-70°C)
Simmering (85-95°C)

- **AUTO 2 connectivity for automatic control of the CATA AUTO 2 hoods**
- 9 adjustable power levels + Booster
- Timer function for each area
- Automatic pan detection
- Safety lock
- Residual heat indicator
- Automatic safety switch-off
- **59 cm** wide
- **Installation without front ventilation slot**
- **Power management 5,3kW**





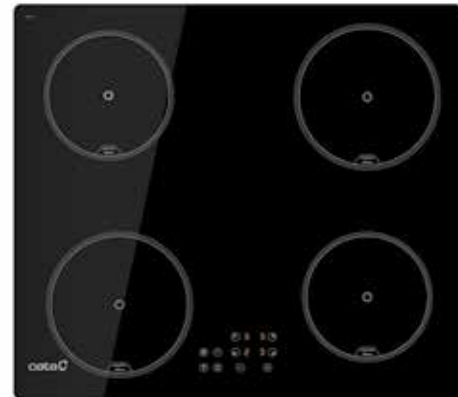
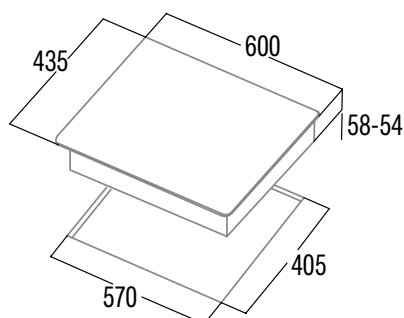
INDUCTIONHOBS



IB 5003 BK
Cod. **08074007** EAN **8422248094191**



- **3 cooking areas:**
Right: 1 area with **Booster function** of $\varnothing 280\text{mm}$ of 2,3kw (máx. 3kW)
Front Left: 1 area with **Booster function** of $\varnothing 180\text{mm}$ of 1,8kW (max 2,3kW)
Rear Left: 1 area with **Booster function** of $\varnothing 160\text{mm}$ of 1.2kW (max. 1.5kW)
- Touch Control with acoustic warning
- 9 adjustable power levels + Booster
- Timer function for each area
- Automatic pan detection
- Safety lock
- Residual heat indicator
- Automatic safety switch-off
- **60 cm wide**
- **Power management 6,5kW**

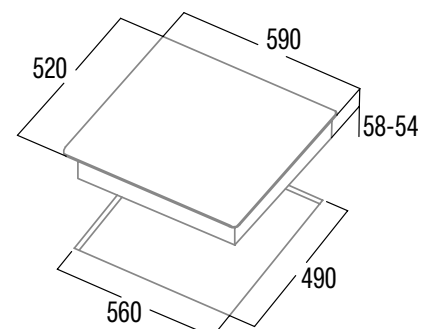


IB 6304 E2 BK
Cod. **08001206** EAN **8422248355278**

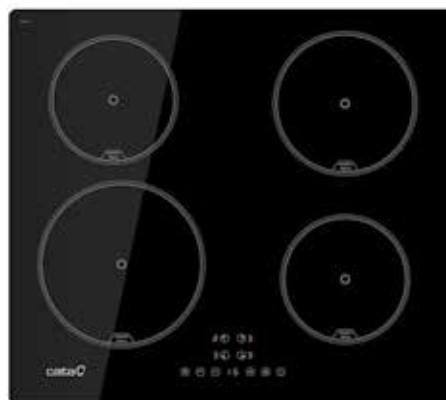
NEW



- **4 cooking areas:**
Front Right: 1 area with **Booster function** of $\varnothing 160\text{mm}$ of 1.2kW (max. 1.5kW)
Rear Right: 1 area with **Booster function** of $\varnothing 180\text{mm}$ of 1.8kW (max. 2.3kW)
Front Left: 1 area with **Booster function** of $\varnothing 180\text{mm}$ of 1.8kW (max. 2.3kW)
Rear Left: 1 area with **Booster function** of $\varnothing 160\text{mm}$ of 1.2kW (max. 1.5kW)
- Touch Control with acoustic warning
- It has three **temperature functions:**
Melting / Defrosting (45-55°C)
Heating / Keeping warm (65-70°C)
Simmering (85-95°C)
- 9 adjustable power levels + Booster
- Timer function for each area
- Countdown alarm
- Automatic pan detection
- Safety lock
- Residual heat indicator
- Automatic safety switch-off
- **59 cm wide**
- **Installation without front ventilation slot**
- **Power management 7kW**



INDUCTION HOBS

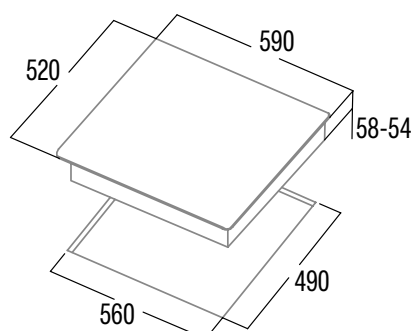


IB 6324 E2 BK
Cod. **08063119** EAN **8422248355704**

NEW



- **4 cooking areas:**
Front Right: 1 area **with Booster function** of Ø160mm of 1.2kW (max. 1.5kW)
Rear Right: 1 area **with Booster function** of Ø180mm of 1.8kW (max. 2.3kW)
Front Left: 1 area **with Booster function** of Ø210mm of 2kW (max. 2.3kW)
Rear Left: 1 area **with Booster function** of Ø160mm of 1.2kW (max. 1.5kW)
- Touch Control with acoustic warning
- It has three **temperature functions:**
Melting / Defrosting (45-55°C)
Heating / Keeping warm (65-70°C)
Simmering (85-95°C)
- **AUTO 2 connectivity for automatic control of the CATA AUTO 2 hoods**
- 9 adjustable power levels + Booster
- Timer function for each area
- Countdown alarm
- Automatic pan detection
- Safety lock
- Residual heat indicator
- Automatic safety switch-off
- **59 cm wide**
- **Installation without front ventilation slot**
- **Power management 7kW**





INDUCTIONHOBS



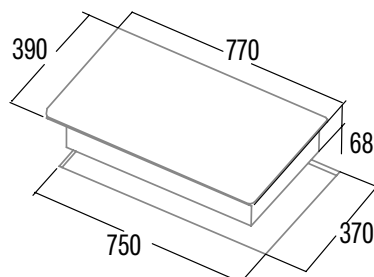
IB 753 BK

Cod. **08081202** EAN **8422248054478**



• 3 cooking areas:

- Right: 1 giant area with **Booster function** of $\varnothing 270$ mm of 2.3kW (max. 3kW)
- Centre: 1 area of $\varnothing 180$ mm of 1.4kW
- Left: 1 area with **Booster function** of $\varnothing 220$ mm of 2.3kW (max. 3kW)
- Touch Control with acoustic warning
- 9 adjustable power levels + Booster
- Timer function for each area
- Countdown alarm
- Automatic pan detection
- Safety lock
- Residual heat indicator
- Automatic safety switch-off
- **77 cm** wide
- **Power management 6.7kW**



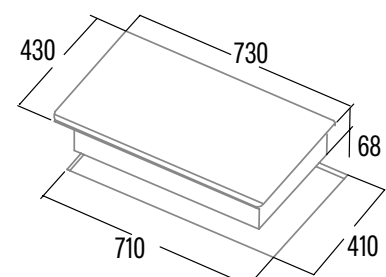
IB 073 BK

Cod. **08081100** EAN **8422248075473**



• 3 cooking areas:

- Right: 1 giant area with **Booster function** of $\varnothing 270$ mm of 2.3kW (max. 3kW)
- Centre: 1 area of $\varnothing 180$ mm of 1.4kW
- Left: 1 area with **Booster function** of $\varnothing 220$ mm of 2.3kW (max. 3kW)
- **Slider Touch Control** with acoustic warning
- 9 adjustable power levels + Booster
- Timer function for each area
- Countdown alarm
- Automatic pan detection
- Safety lock
- Residual heat indicator
- Automatic safety switch-off
- **Frontal bevel**
- **73 cm** wide
- **Power management 6.7kW**



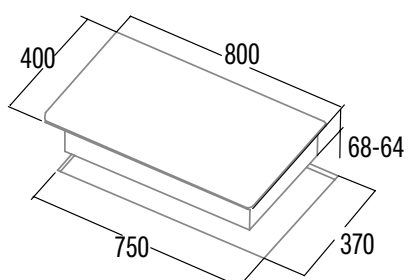
INDUCTION HOBS



IB 853 BK
Cod. **08081210** EAN **8422248109529**



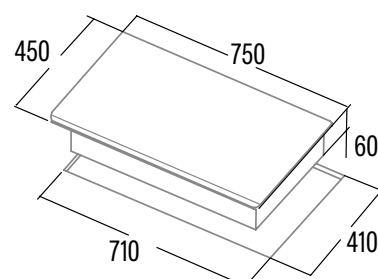
- **3 cooking areas:**
Right: 1 area with **Booster function** of $\varnothing 270\text{mm}$ of 2.3kW (max. 3kW)
Centre: 1 area of $\varnothing 180\text{mm}$ of 1.4kW
Left: 1 area with **Booster function** of $\varnothing 220\text{mm}$ of 2.3kW (max. 3kW)
- **Touch Control** with acoustic warning
- 9 adjustable power levels + Booster
- Timer function for each area
- Countdown alarm
- Automatic pan detection
- Safety lock
- Residual heat indicator
- Automatic safety switch-off
- **Frontal bevel**
- **80 cm** wide
- **Power management 6.7kW**



IB 772
Cod. **08027206** EAN **8422248091787**

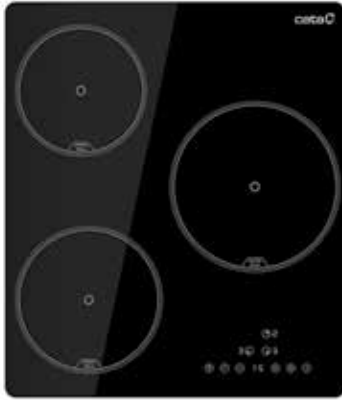


- **2 cooking areas:**
Right: 1 area **with Booster function** of $\varnothing 210\text{mm}$ of 2.3kW (max. 2.6kW)
Left: 1 giant area **with Booster function** of $\varnothing 280\text{mm}$ of 2.3kW (max. 3kW)
- **Slider Touch Control** with acoustic warning
- 9 adjustable power levels + Booster
- Timer function for each area
- Countdown alarm
- Automatic pan detection
- Safety lock
- Residual heat indicator
- Automatic safety switch-off
- **Frontal bevel**
- **75 cm** wide
- **Power management 5.6kW**





INDUCTIONHOBS

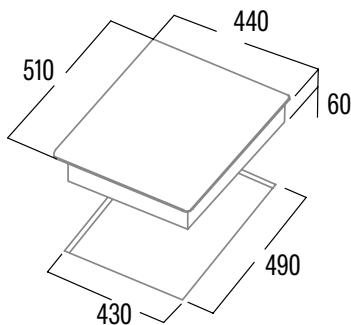


IB 4003 BK
Cod. **08060004** EAN **8422248357395**

NEW



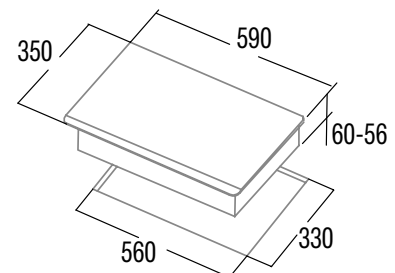
- **3 cooking areas:**
 - Front Left: 1 area of Ø180mm of 1,2kW (max 1,5kW)
 - Rear Left: 1 area of Ø160mm of 1,2kW (max 1,5kW)
 - Right: 1 area with **Booster function** of ø210mm of 1,8kw (máx. 2,3kW)
- Touch Control with acoustic warning
- It has three **temperature functions:**
 - Melting / Defrosting (45-55°C)**
 - Heating / Keeping warm (65-70°C)**
 - Simmering (85-95°C)**
- 9 niveles de potencia regulables + Booster
- Timer function for each area
- Automatic pan detection
- Safety lock
- Residual heat indicator
- Automatic safety switch-off
- **44 cm** wide
- **Power management 5,3kW**



IB 2 PLUS BK
Cod. **08027208** EAN **8422248109420**



- **2 cooking areas:**
 - Right: 1 area of ø180mm of 1.4kW
 - Left: 1 area **with Booster function** of ø220mm of 2kW (max. 3kW)
- Touch Control with acoustic warning
- 9 adjustable power levels + Booster
- Timer function for each area
- Countdown alarm
- Automatic pan detection
- Safety lock
- Residual heat indicator
- Automatic safety switch-off
- **Frontal bevel**
- **59 cm** wide
- **Power management 3.5kW**



INDUCTION HOBS



ISB 3102 BK
Cod. **08003405** EAN **8422248109314**

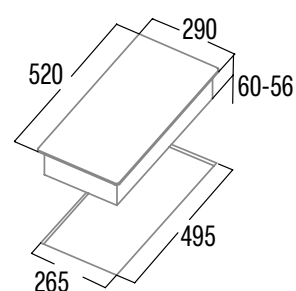
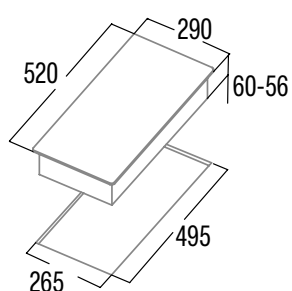


- **2 cooking areas:**
Front: 1 area **with Booster function** of $\varnothing 180$ mm of 1.2kW (max. 1,5kW)
Rear: 1 area **with Booster function** of $\varnothing 200$ mm of 2kW (max. 2,3kW)
- **Slider Touch Control** with acoustic warning
- 9 adjustable power levels + Booster
- Timer function for each area
- Countdown alarm
- Automatic pan detection
- Safety lock
- Residual heat indicator
- Automatic safety switch-off
- **30 cm** wide
- **Power management 3.5kW**

IB 302 BK
Cod. **08003209** EAN **8422248092135**

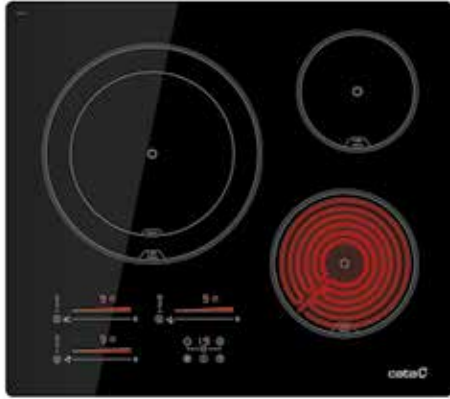


- **2 cooking areas:**
Front: 1 area **with Booster function** of $\varnothing 160$ mm of 1.2kW (max. 1,5kW)
Rear: 1 area **with Booster function** of $\varnothing 180$ mm of 2kW (max. 2,3kW)
- **Slider Touch Control** with acoustic warning
- 9 adjustable power levels + Booster
- Timer function for each area
- Countdown alarm
- Automatic pan detection
- Safety lock
- Residual heat indicator
- Automatic safety switch-off
- **Frontal bevel**
- **30 cm** wide
- **Power management 3.5kW**





VITROCERAMIC HOBS

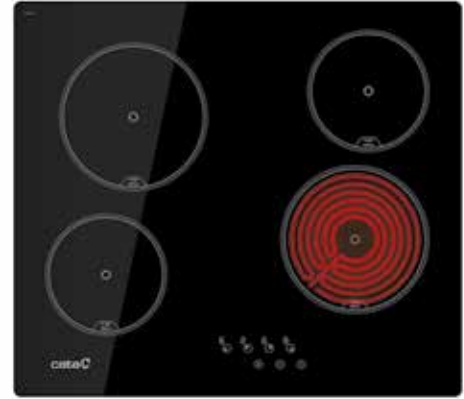
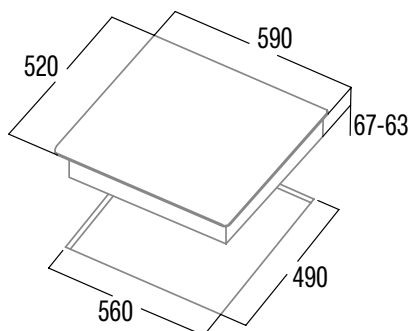


TDM 6003
Cod. **08063413** EAN **8422248357357**

NEW



- **3 High Light cooking areas:**
Front Right: 1 area of $\varnothing 180\text{mm}$ of 1.8kW
Rear Right: 1 area of $\varnothing 140\text{mm}$ of 1.2kW
Left: 1 giant double area of $\varnothing 270/210\text{mm}$ of 2.4/1.5kW
- Slider Touch Control for each area
- 9 adjustable power levels
- Automatic safety switch-off
- Safety lock
- Residual heat indicator
- Automatic safety switch-off
- 59 cm wide
- **Power management 5.4kW**

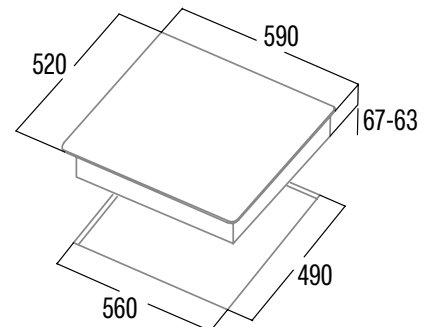


TN 604
Cod. **08040011** EAN **8422248109321**

NEW



- **4 High Light cooking areas:**
Front Right: 1 area of $\varnothing 180\text{mm}$ of 1.8kW
Rear Right: 1 area of $\varnothing 140\text{mm}$ of 1.2kW
Front Left: 1 area of $\varnothing 140\text{mm}$ of 1.2kW
Rear Left: 1 area of $\varnothing 180\text{mm}$ of 1.8kW
- Touch Control with acoustic warning
- 9 adjustable power levels
- Safety Lock
- Residual heat indicator
- Automatic safety switch-off
- 59 cm wide
- **Power management 6kW**



VITROCERAMIC HOBS



HOBS

604 HVI
Cod. 08072202 EAN 8422248109505

NEW

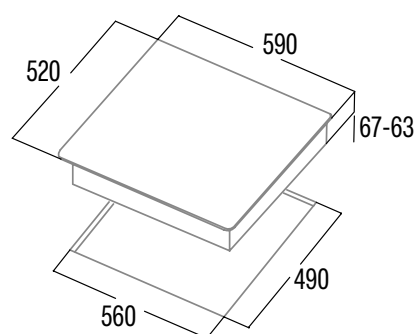
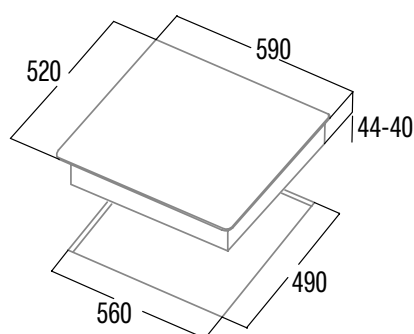


TT 6003
Cod. 08063212 EAN 8422248109475



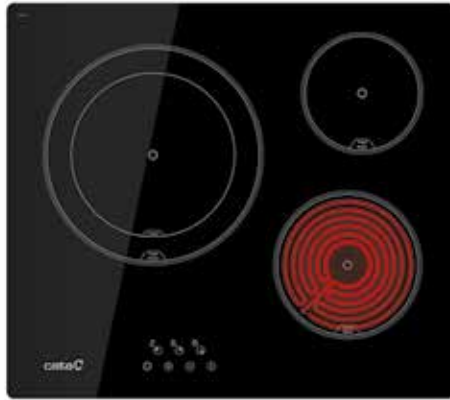
- **4 High Light cooking areas:**
 - Front Right: 1 area of $\varnothing 160$ mm of 1.2kW
 - Rear Right: 1 area of $\varnothing 195$ mm of 1.8kW
 - Front Left: 1 area of $\varnothing 195$ mm of 1.8kW
 - Rear Left: 1 area of $\varnothing 160$ mm of 1.2kW
- Mechanical controls
- 6 adjustable power levels
- Residual heat indicator
- **59 cm wide**
- **Power management 6kW**

- **3 High Light cooking areas:**
 - Front Right: 1 area of $\varnothing 185$ mm of 1.8kW
 - Rear Right: 1 area of $\varnothing 150$ mm de 1.2kW
 - Left: 1 **giant triple area** of $\varnothing 280/220/150$ mm of 2.7/1.75/0.95kW
- Touch Control with acoustic warning
- 9 adjustable power levels
- Timer function for each area
- Safety lock
- Residual heat indicator
- Automatic safety switch-off
- **59 cm wide**
- **Power management 5.7kW**





VITROCERAMIC HOBS



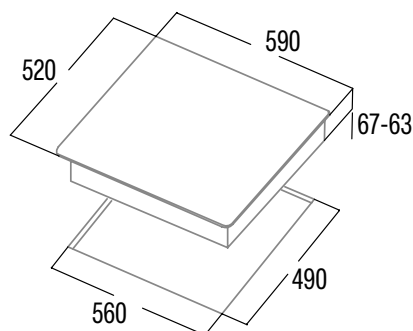
Suitable for short depth cabinets

TD 6003 BK
Cod. **08063411** EAN **8422248109499**

NEW



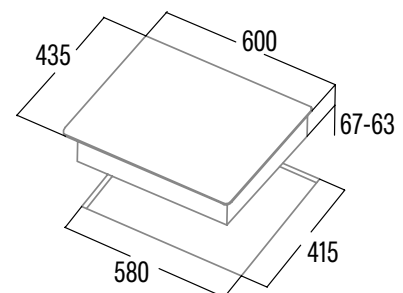
- **3 High Light cooking areas:**
Front Right: 1 area of $\varnothing 180$ mm of 1.8kW
Rear Right: 1 area of $\varnothing 140$ mm of 1.2kW
Left: **1 giant double area** of $\varnothing 270/210$ mm of 2.4/1.5kW
- Touch Control with acoustic warning
- 9 adjustable power levels
- Safety lock
- Residual heat indicator
- Automatic safety switch-off
- **59 cm wide**
- **Power management 5.4kW**



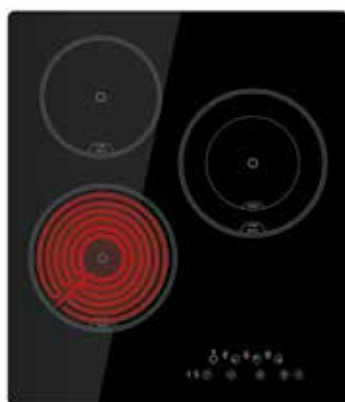
TT 5003
Cod. **08077001** EAN **8422248109512**



- **3 High Light cooking areas:**
Front Right: 1 area of $\varnothing 185$ mm of 1.8kW
Rear Right: 1 area of $\varnothing 150$ mm of 1.2kW
Left: **1 giant triple area** of $\varnothing 270/220/155$ mm of 2.7/1.75/0.95kW
- Touch Control with acoustic warning
- 9 adjustable power levels
- Timer function for each area
- Safety lock
- Residual heat indicator
- Automatic safety switch-off
- **Suitable for short depth cabinets (50cm)**
- **60 cm wide**
- **Power management 5.7kW**



VITROCERAMIC HOBS



TT 4003 BK
Cod. **08060001** EAN **8422248357388**

NEW

TD 3002 BK
Cod. **08060405** EAN **8422248109444**

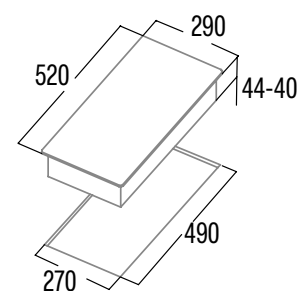
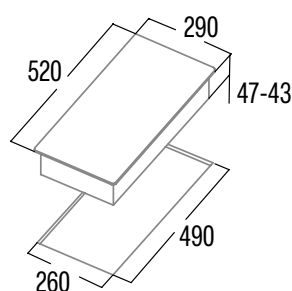
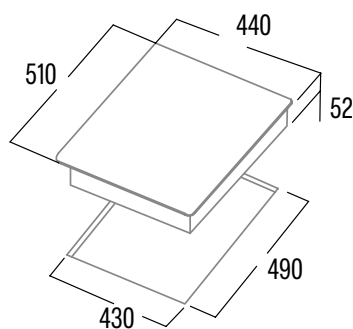
VI 302
Cod. **08049007** EAN **8422248109437**



- **3 High Light cooking areas:**
Front Right: 1 **giant double area** of $\varnothing 210/180$ mm of 2.3/1.2kW
Front Left: 1 area of $\varnothing 180$ mm of 1.8kW
Rear Left: 1 area of $\varnothing 150$ mm of 1.2kW
- Touch Control with acoustic warning
- 9 adjustable power levels
- Automatic safety switch-off
- Safety lock
- Residual heat indicator
- Automatic safety switch-off
- **44 cm wide**
- **Power management 5.3kW**

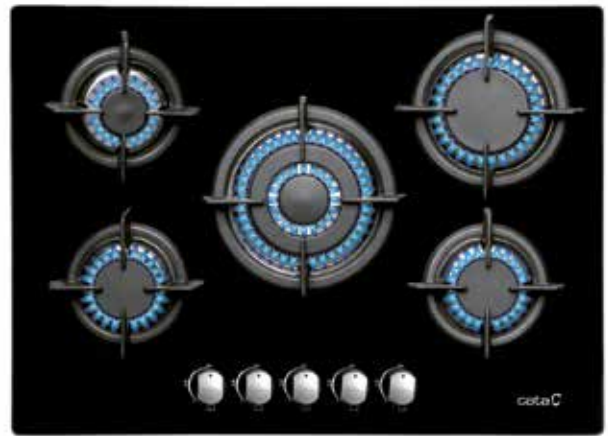
- **2 High Light cooking areas:**
Front: 1 area of $\varnothing 155$ mm of 1.2kW
Rear: 1 double area of $\varnothing 190/120$ mm of 2/1kW
- **Touch Control** with acoustic warning
- 9 adjustable power levels
- Timer function for each area
- Safety lock
- Residual heat indicator
- Automatic safety switch-off
- **29 cm wide**
- **Power management 3.2kW**

- **2 High Light cooking areas:**
Front: 1 area of $\varnothing 160$ mm of 1.2kW
Rear: 1 area of $\varnothing 195$ mm of 1.8kW
- **Mechanical control**
- 9 adjustable power levels
- Residual heat indicator
- **29 cm wide**
- **Power management 3kW**





GAS-ON-GLASSHOBS



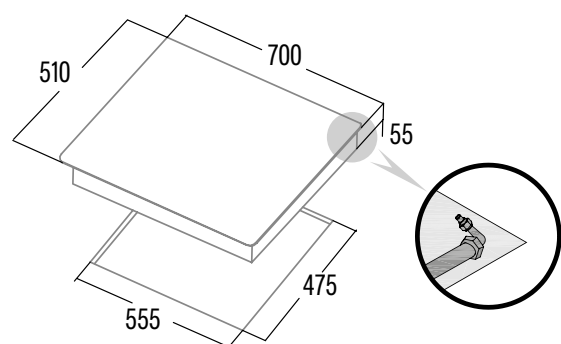
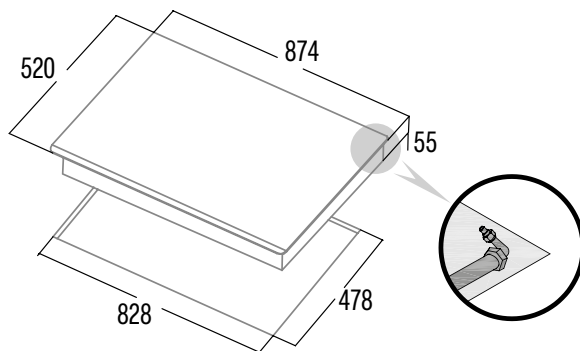
LCI 9041 BK
Cod. **08005404** EAN **8422248081924**

L-7005 CI
Cod. **08046410** EAN **8422248081962**

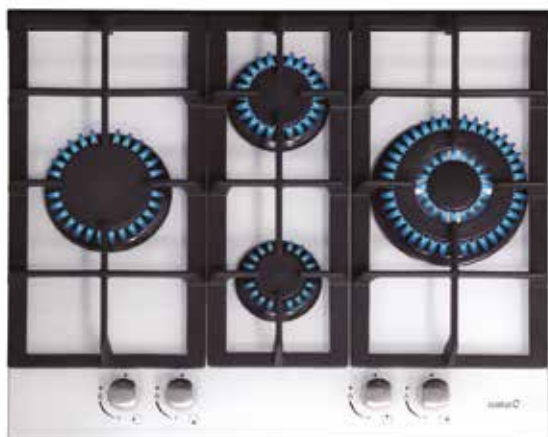


- **5 gas burners:**
 - Rear Left: 1 semi-fast of 1.75kW
 - Front Left: 1 semi-fast of 1.75kW
 - Center: 1 **triple ring** of 3.5kW
 - Rear Right: 1 fast of 3kW
 - Front Right: 1 auxiliary of 1kW
- One hand automatic ignition
- Flame failure gas cut off safety system
- **Cast iron** Grids/burners
- Suitable for **city gas**
- Gas inlet position: rear right
- LPG nozzles included in the box
- **87cm** wide
- **Power management 11KW**

- **5 gas burners:**
 - Rear Left: 1 auxiliary of 1kW
 - Front Left: 1 semi-fast of 1.75kW
 - Center: 1 **triple ring** of 3.5kW
 - Rear Right: 1 fast of 3kW
 - Front Right: 1 semi-fast of 1,75kW
- One hand automatic ignition
- Flame failure gas cut off safety system
- **Cast iron** Grids/burners
- Suitable for **city gas**
- Gas inlet position: rear right
- LPG nozzles included in the box
- **70cm** wide with 60cm built in cut out
- **Power management 11KW**



GAS-ON-GLASS HOBS



Same built in size,
wider surface!

LCI 6031 WH
Cod. **08041100** EAN **8422248072557**



- **4 gas burners:**
 - Rear: 1 fast of 3kW
 - Front: 1 semi-fast of 1.75kW
 - Right: 1 **triple ring** of 3.5kW
 - Left: 1 auxiliary of 1kW
- One hand automatic ignition
- Flame failure gas cut off safety system
- **Cast iron** Grids/burners
- Suitable for **city gas**
- Gas inlet position: rear left
- LPG nozzles included in the box
- **64cm** wide with 60cm built in cut out
- Power management **9,25kW**



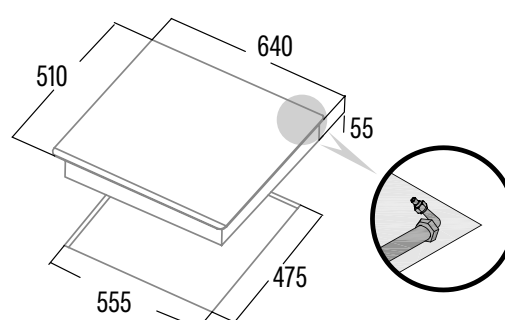
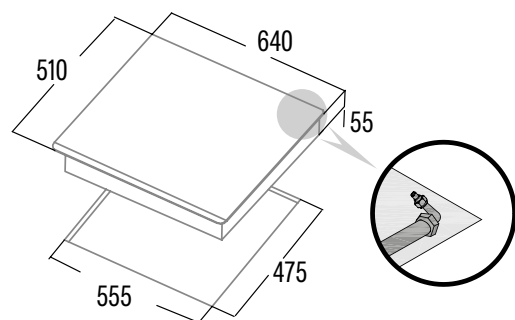
Same built in size,
wider surface!

LCI 6031 BK
Cod. **08041500** EAN **8422248072724**



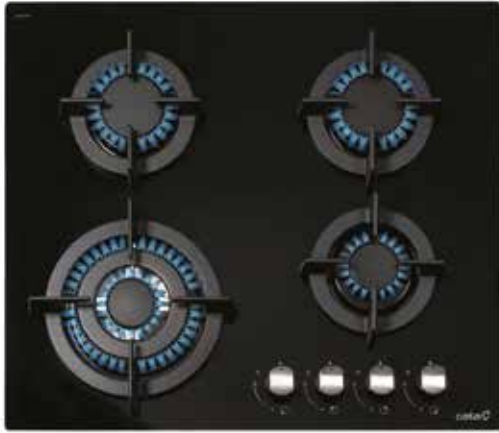
LCIB 6031 BK
Cod. **08041503** EAN **8422248078788**

- **4 gas burners:**
 - Rear: 1 fast of 3kW
 - Front: 1 semi-fast of 1.75kW
 - Right: 1 **triple ring** of 3.5kW
 - Left: 1 auxiliary of 1kW
- One hand automatic ignition
- Flame failure gas cut off safety system
- **Cast iron** Grids/burners
- Suitable for **city gas** (LCI 6031 BK)
- Suitable for **LPG gas** (LCIB 6031 BK)
- Gas inlet position: rear left
- LPG nozzles included in the box
- **64cm** wide with 60cm built in cut out
- Power management **9,25kW**





GAS-ON-GLASS HOBS



CCI 6031 BK
Cod. **08041501** EAN **8422248073691**



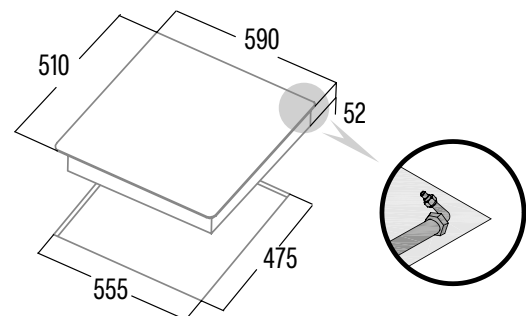
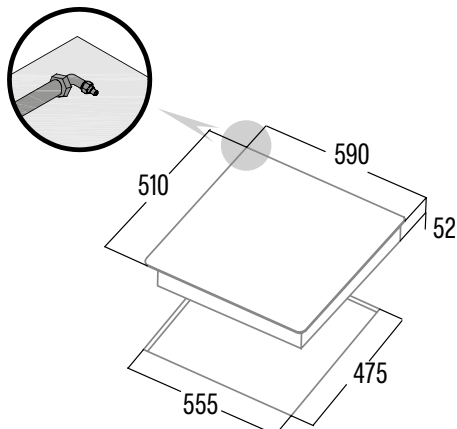
CI 631 BK
Cod. **08041412** EAN **8422248058681**

CIB 6031 BK
Cod. **08068400** EAN **8422248068352**

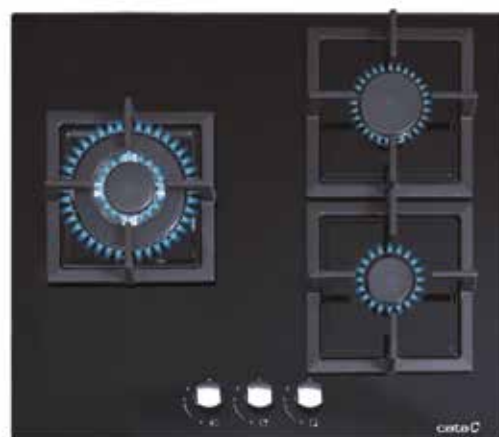


- **4 gas burners:**
 - Rear Left: 1 semi-fast of 1.75kW
 - Front Left: 1 **triple ring** of 3.5kW
 - Rear Right: 1 semi-fast of 1.75kW
 - Front Right: 1 auxiliary of 1kW
- One hand automatic ignition
- Flame failure gas cut off safety system
- **Cast iron** Grids/burners
- Suitable for **city gas**
- Gas inlet position: rear left
- LPG nozzles included in the box
- **59 cm** wide
- **Power management 8kW**

- **4 gas burners:**
 - Rear Left: 1 semi-fast of 1.75kW
 - Front Left: 1 **triple ring** of 3.5kW
 - Rear Right: 1 semi-fast of 1.75kW
 - Front Right: 1 auxiliary of 1kW
- One hand automatic ignition
- Flame failure gas cut off safety system
- **Enamelled** Grids/burners
- Suitable for **city gas** (CI 631 BK)
- Suitable for **LPG gas** (CIB 6031 BK)
- Gas inlet position: rear right
- LPG nozzles included in the box
- **59 cm** wide
- **Power management 8kW**



GAS-ON-GLASS HOBS



LCI 6021 BK
Cod. **08068401** EAN **8422248068376**

LCIB 6021 BK
Cod. **08068403** EAN **8422248078795**

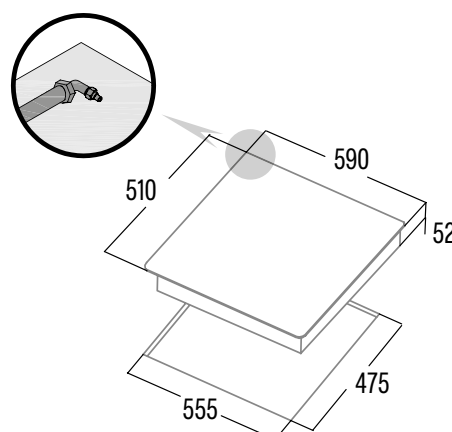
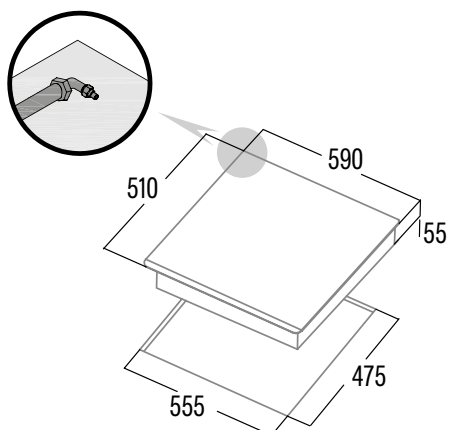


SCI 6021 BK
Cod. **08068405** EAN **8422248086929**



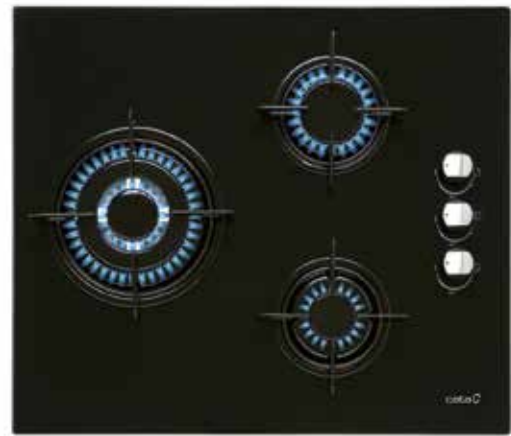
- **3 gas burners:**
Left: 1 **triple ring** of 3.5kW
Rear Right: 1 semi-fast of 1.75kW
Front Right: 1 auxiliary of 1kW
- One hand automatic ignition
- Flame failure gas cut off safety system
- **Cast iron** Grids/burners
- Suitable for **city gas** (LCI 6021 BK)
- Suitable for **LPG gas** (LCIB 6021 BK)
- Gas inlet position: rear left
- LPG nozzles included in the box
- **59 cm** wide
- **Power management 6.25kW**

- **3 gas burners:**
Left: 1 **triple ring** of 3.5kW
Rear Right: 1 semi-fast of 1.75kW
Front Right: 1 auxiliary of 1kW
- One hand automatic ignition
- Flame failure gas cut off safety system
- **Cast iron** Grids/burners
- Suitable for **city gas**
- Gas inlet position: rear left
- LPG nozzles included in the box
- **59 cm** wide
- **Power management 6.25kW**





GAS-ON-GLASS HOBS



CCI 6021 BK
Cod. **08068501** EAN **8422248073707**



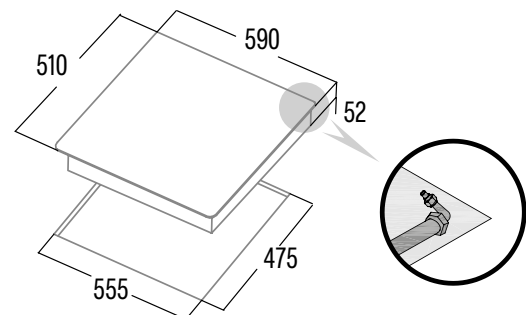
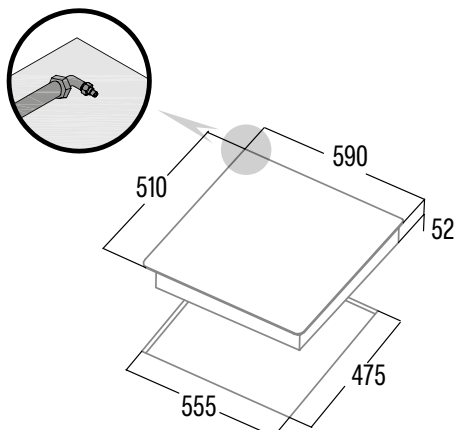
CI 6021 BK
Cod. **08068309** EAN **8422248067355**

CIB 6021 BK
Cod. **08068402** EAN **8422248073677**

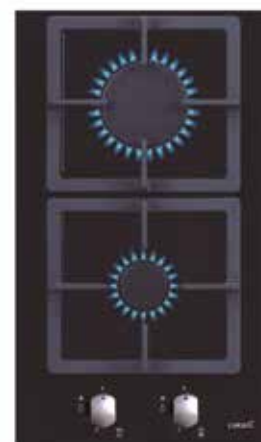


- **3 gas burners:**
 - Left: 1 **triple ring** of 3.5kW
 - Rear Right: 1 semi-fast of 1.75kW
 - Front Right: 1 auxiliary of 1kW
- One hand automatic ignition
- Flame failure gas cut off safety system
- **Cast iron** Grids/burners
- Suitable for **city gas**
- Gas inlet position: rear left
- LPG nozzles included in the box
- **59 cm** wide
- **Power management 6.25kW**

- **3 gas burners:**
 - Left: 1 **triple ring** of 3.5kW
 - Rear Right: 1 semi-fast of 1.75kW
 - Front Right: 1 auxiliary of 1kW
- One hand automatic ignition
- Flame failure gas cut off safety system
- **Cast iron** Grids/burners
- Suitable for **city gas** (CI 6021 BK)
- Suitable for **LPG gas** (CIB 6021 BK)
- Gas inlet position: rear left
- LPG nozzles included in the box
- **59 cm** wide
- **Power management 6.25kW**



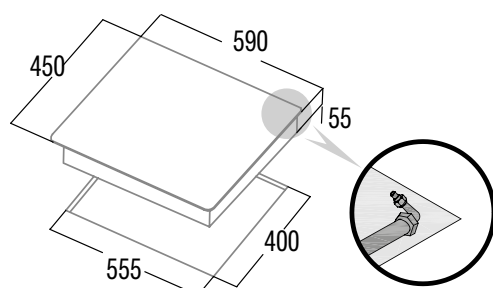
GAS-ON-GLASS HOBS



CCI 5003 BK
Cod. **08041505** EAN **8422248094269**



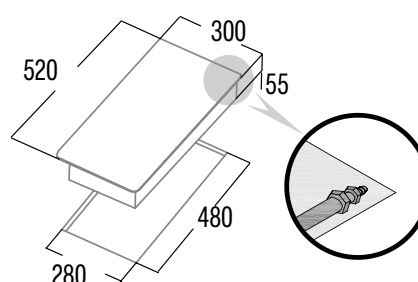
- **3 gas burners:**
 - Left: 1 **triple ring** of 3.5kW
 - Rear Right: 1 semi-fast of 1.75kW
 - Front Right: 1 auxiliary of 1kW
- One hand automatic ignition
- Flame failure gas cut off safety system
- **Cast iron** Grids/burners
- Suitable for **city gas**
- Gas inlet position: rear left
- LPG nozzles included in the box
- **59 cm** wide
- **Power management 6.25kW**



SCI 3002 BK
Cod. **08047410** EAN **8422248093743**



- 2 gas burners:
 - Rear: 1 fast of 3kW
 - Front: 1 auxiliary of 1kW
- One hand automatic ignition
- Flame failure gas cut off safety system
- **Cast iron** Grids/burners
- Suitable for **city gas**
- Gas inlet position: rear right
- LPG nozzles included in the box
- **30cm** wide
- **Power management 4kW**





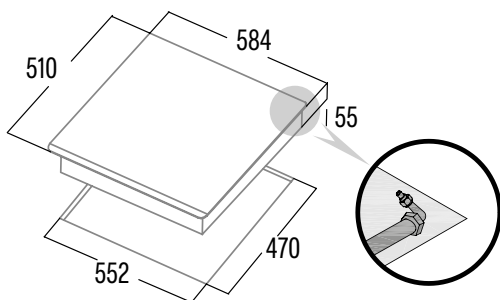
RUSTIC/STAINLESS STEEL GAS HOBS



RCI 631 BK
Cod. **08028403** EAN **8422248055024**



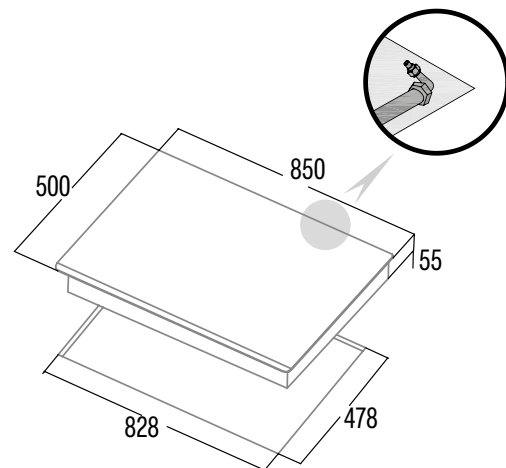
- **4 gas burners:**
 - Rear Left: 1 **triple ring** of 3.5kW
 - Front Left: 1 semi-fast of 1.75kW
 - Rear Right: 1 semi-fast of 1.75kW
 - Front Right: 1 auxiliary of 1kW
- One hand automatic ignition
- Flame failure gas cut off safety system
- **Cast iron** Grids/burners
- Suitable for **city gas**
- Gas inlet position: rear right
- LPG nozzles included in the box
- **58 cm** wide
- **Power management 8kW**



LGI 9041 X
Cod. **08005350** EAN **8422248081948**



- **5 gas burners:**
 - Rear Left: 1 fast of 3kW
 - Front Left: 1 semi-fast of 1.75kW
 - Center: 1 **triple ring** of 3.5kW
 - Rear Right: 1 semi-fast of 1.75kW
 - Front Right: 1 auxiliary of 1kW
- One hand automatic ignition
- Flame failure gas cut off safety system
- **Cast iron** Grids/burners
- Suitable for **city gas**
- Gas inlet position: rear left
- LPG nozzles included in the box
- **85cm** wide
- **Power management 11KW**



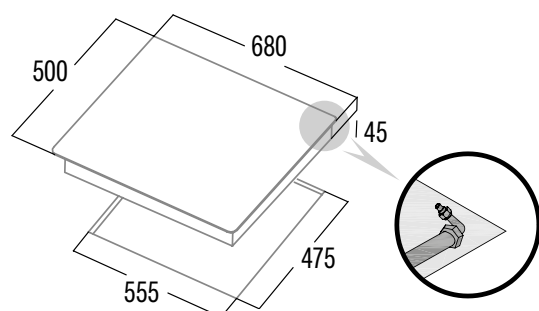
STAINLESS STEEL GAS HOBS



LGI 7041 X
Cod. **08045305** EAN **8422248108812**



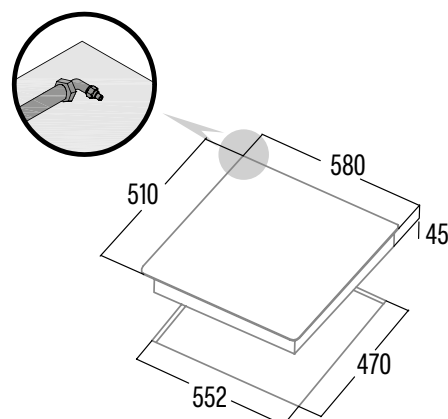
- **5 gas burners:**
 - Rear Left: 1 Semi-fast 1.75 kW
 - Front Left: 1 auxiliary 1 kW
 - Centre: 1 **triple ring**, 3.5kW
 - Rear Right: 1 fast 3 kW
 - Front Right: 1 semi-fast, 1.75kW
- One hand automatic ignition
- Flame failure gas cut off safety system
- **Cast iron** Grids/burners
- Suitable for **city gas**
- Gas inlet position: rear right
- LPG nozzles included in the box
- **68 cm wide built in 60 cm**
- **Power management 11KW**



LGD 631 X
Cod. **08066002** EAN **8422248058735**



- **4 gas burners:**
 - Rear: 1 semi-fast, 1.75kW
 - Front: 1 auxiliary, 1kW
 - Right: 1 **triple ring**, 3.5kW
 - Left: 1 fast, 3kW
- One hand automatic ignition
- Flame failure gas cut off safety system
- **Cast Iron** Grids/burners
- Suitable for **city gas**
- Gas inlet position: rear left
- LPG nozzles included in the box
- **58 cm wide**
- **Power management 9.25kW**





STAINLESS STEEL GAS HOBS



GI 6031 X
Cod. **08066011** EAN **8422248067331**



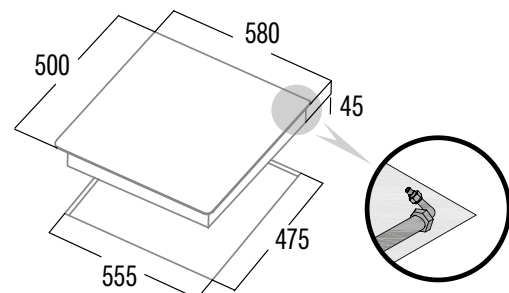
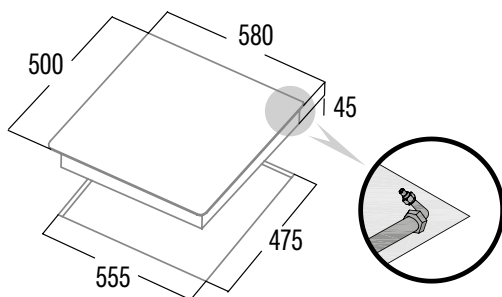
GI 6004 X
Cod. **08066600** EAN **8422248067775**

GIB 6004 X
Cod. **08066312** EAN **8422248068369**



- **4 gas burners:**
Rear Left: 1 semi-fast, 1.75kW
Front Left: 1 **triple ring** of 3.5kW
Rear Right: 1 semi-fast, 1.75kW
Front Right: 1 auxiliary, 1kW
- One hand automatic ignition
- Flame failure gas cut off safety system
- **Enamelled** Grids/burners
- Suitable for city gas
- Gas inlet position: rear right
- LPG nozzles included in the box
- **58 cm** wide
- **Power management 8kW**

- **4 gas burners:**
Rear Left: 1 semi-fast, 1.75kW
Front Left: 1 fast, 3kW
Rear Right: 1 semi-fast, 1.75kW
Front Right: 1 auxiliary, 1kW
- One hand automatic ignition
- Flame failure gas cut off safety system
- **Enamelled** Grids/burners
- Suitable for **city gas** (GI 6004 X)
- Suitable for **LPG gas** (GIB 6004 X)
- Gas inlet position: rear right
- LPG nozzles included in the box
- **58 cm** wide
- **Power management 7.5kW**



STAINLESS STEEL GAS HOBS



GI 6021 X
Cod. **08068308** EAN **8422248067348**

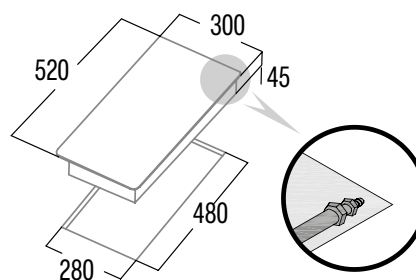
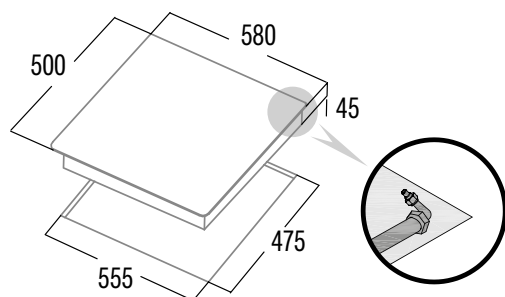
GI 3002 X
Cod. **08039600** EAN **8422248108829**

GIB 6021 X
Cod. **08068310** EAN **8422248073684**



- **3 gas burners:**
Left: 1 **triple ring**, 3.5kW
Rear: 1 semi-fast, 1.75kW
Front: 1 auxiliary, 1kW
- One hand automatic ignition
- Flame failure gas cut off safety system
- **Enamelled** Grids/burners
- Suitable for **city gas** (GI 6021 X)
- Suitable for **LPG gas** (GIB 6021 X)
- Gas inlet position: rear right
- LPG nozzles included in the box
- **58 cm** wide
- **Power management 6.25kW**

- **2 gas burners:**
Rear: 1 fast of 3kW
Front: 1 auxiliary of 1kW
- One hand automatic ignition
- Flame failure gas cut off safety system
- **Enamelled** Grids/burners
- Suitable for city gas
- Gas inlet position: rear right
- LPG nozzles included in the box
- **30cm** wide
- **Power management 4kW**





KITCHENWARE



NEW YORK SET

Cod. **03000005** EAN **8422248080583**



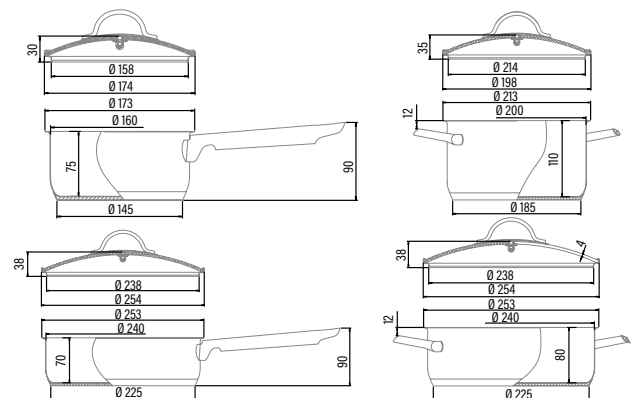
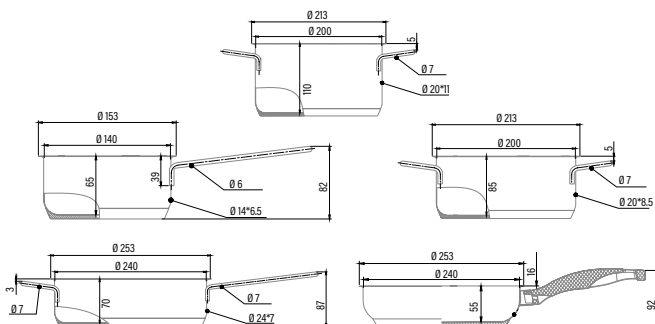
- Stainless Steel Collection 5 piece set.
- Stainless Steel Handles welded to the pan, that provides a long life and better resistance.
- High Resistant glass lids.
- Straight lines, elegant and practical design for easy cleaning.
- Suitable for all types on hobs, gas, electric, vitroc ceramic and induction.
- Suitable for cleaning in the dishwasher machine.

PROFESSIONAL SET

Cod. **03000006** EAN **8422248085885**



- Stainless Steel Collection 4 piece set.
- Stainless Steel Handles welded to the pan, that provides a long life and better resistance.
- High Resistant glass lids.
- Straight lines, elegant and practical design for easy cleaning.
- Suitable for all types on hobs, gas, electric, vitroc ceramic and induction.
- Suitable for cleaning in the dishwasher machine.



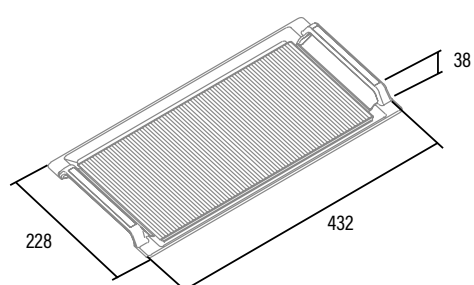
KITCHENWARE



CAST IRON GRILL
Cod. **03017400** EAN **8422248082563**



- Suitable for induction.
- Enamelled Cast Iron. Grill.
- Nonstick surface
- Ideal for: searing meat and fish with minimum of fat. Grilling vegetables and fruit.
- Good heat retention and temperature stability.
- Robust and durable.
- Easy to clean



HOBBS





WHITE GOODS



WHITE GOODS



The retailer products that you will find in this new catalogue, are designed, developed and manufactured with the clear orientation to meet the needs of our customers, providing solutions for efficiency, durability and reliability.

The **CATA** refrigerators, dishwashers and washing machines are the best proof that the functionality is not incompatible with design and elegance.

The European Union has a very ambitious goal when it comes to reducing energy consumption. With the new regulation, the values have been rescaled, the A +++, A ++ and A + classes disappearing, starting the scaling from class A to G. This does not mean that now your white line appliance consumes more than before, but that the scale and the rehearsals have changed.



Integration Solutions

The CATA Integration refrigerators, washing machines and dishwashers fit perfectly with the rest of the kitchen, while achieving high quality and efficiency.

Dishwashers and washing machines with washing precise control and high efficiency

CATA dishwashers are very intuitive and easy to use, electronics and control panel provides all the necessary information at all times.

The 14 capacity services of the new Cata dishwashers will make the cleaning of the dishes more efficient by being able to incorporate more plates and glasses than the previous models. Not forgetting its new soap dispenser with which the bar comes out easier by having the sliding lid.

Washing machines

Perfectly integrated, but with features that have nothing to envy in terms of capacity, number of programs, drying revolutions and delayed programming, compared to free installation models.



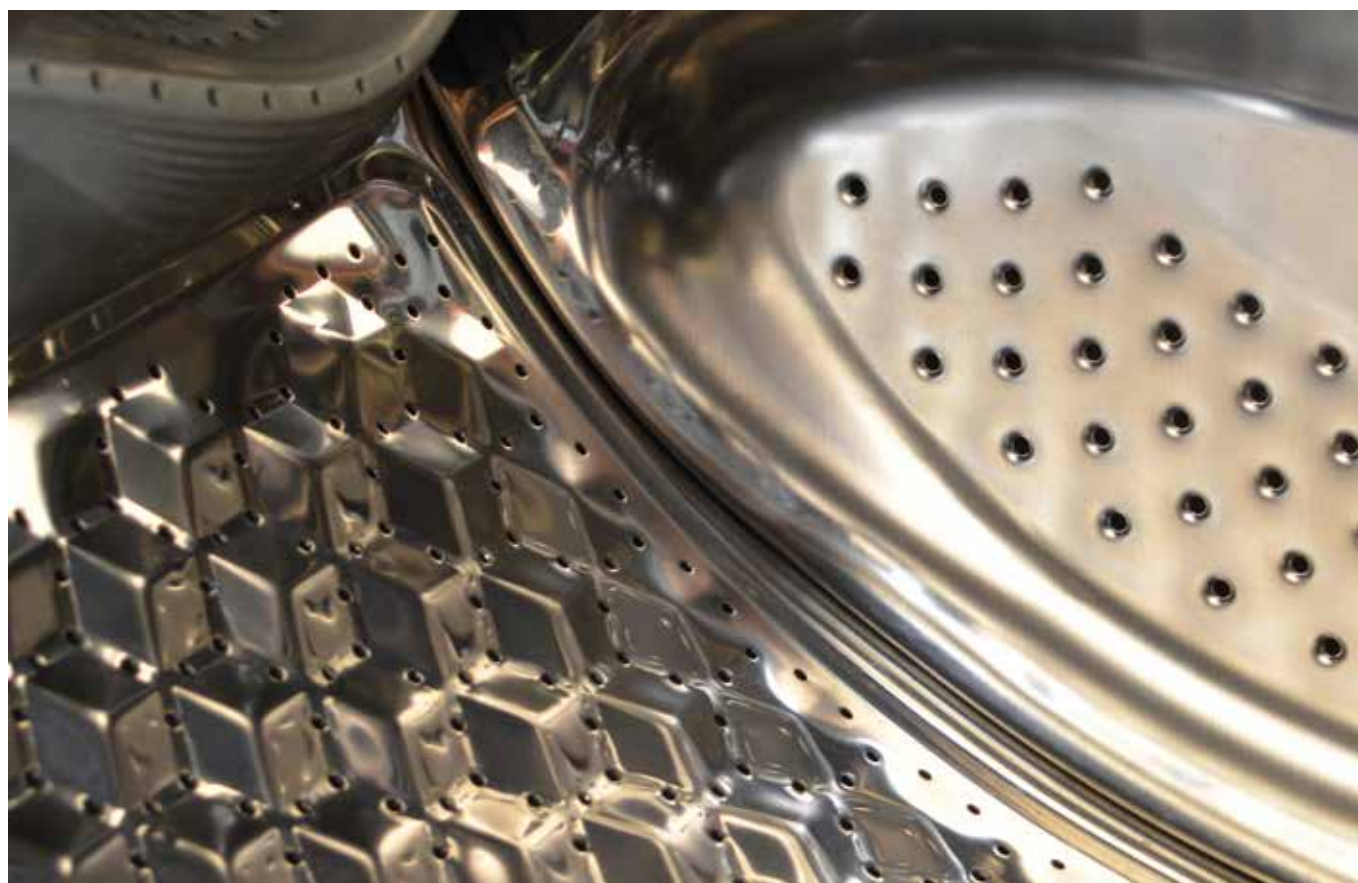
High efficiency Refrigerators



With **CATA** refrigerators you can achieve significant energy savings, resulting in a large cost savings. Electronic sensors allow to accurately maintain the set temperature, achieving better food preservation, extending the life of the refrigerator.

No Frost system

It allows optimum circulation of cold and dry air in the different compartments, eliminating frost formation both in food and in the freezer itself.





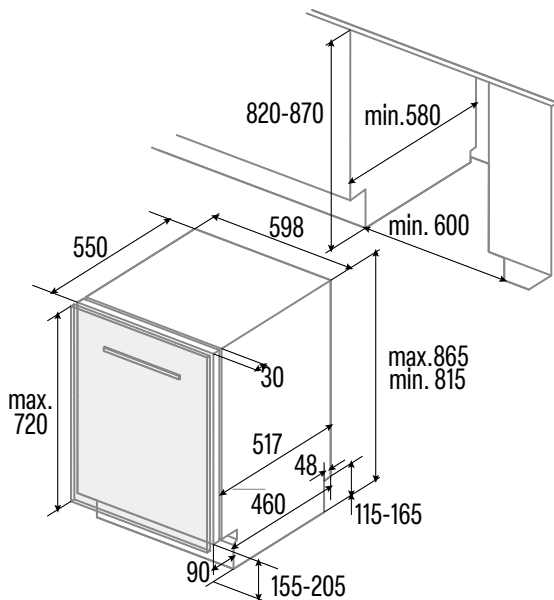
BUILT-IN DISHWASHERS



LVI 62014
Cod. **07200078** EAN **8422248351379**



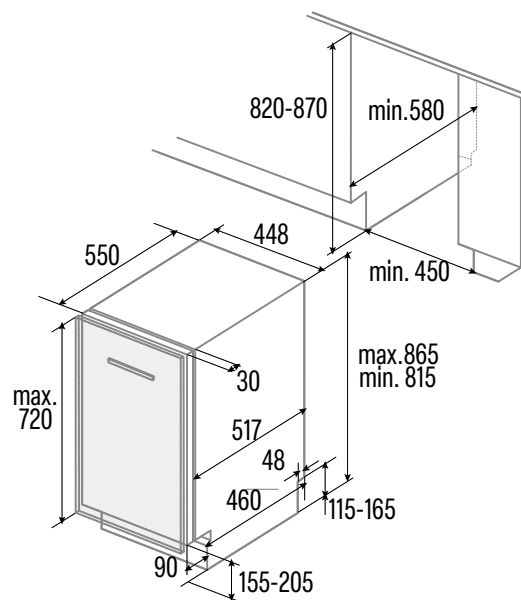
- **14 place settings**
- **Energy class D** drying and cleaning A
- **3rd layer cutlery basket**
- 11 liters water consumption per cycle
- 47 dB(A) noise level
- 8 programs: Intensive, Auto, normal, ECO, Glass, Express 90', Quick 30'
- Functions: Program delay 24 h, half load, extradry.
- **LED indicators:** Salt level, low rinse aid
- Display with: 24h delay timer, end program, programs, salt and brightener
- Regulable upper basket with folding supports
- Lower basket with folding supports
- Slider detergent dispenser
- Automatic opening



LVI 48010
Cod. **07200080** EAN **8422248351393**



- **10 place settings**
- **Energy class D** drying and cleaning A
- **3rd layer cutlery basket**
- 9 liters water consumption per cycle
- 47 dB(A) noise level
- 8 programs: Intensive, Auto, normal, ECO, Glass, Express 90', Quick 30'
- Functions: Program delay 24 h, half load, extradry.
- **LED indicators:** Salt level, low rinse aid
- Display with: 24h delay timer, end program, programs, salt and brightener
- Regulable upper basket with folding supports
- Lower basket with folding supports
- Slider detergent dispenser
- Automatic opening



BUILT-IN DISHWASHERS



LVI 62012
Cod. **07200079** EAN **8422248351386**

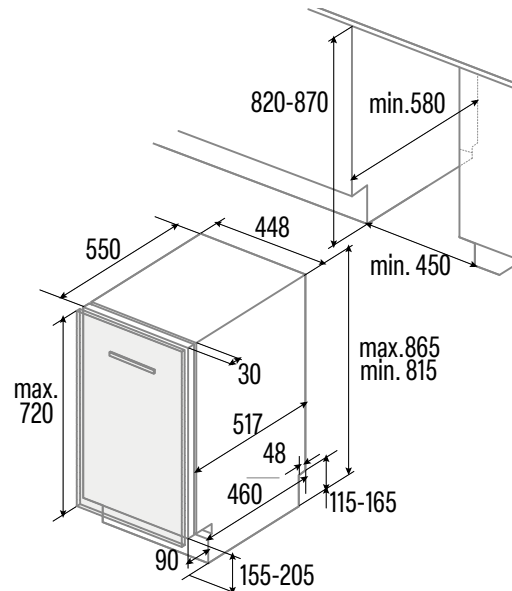
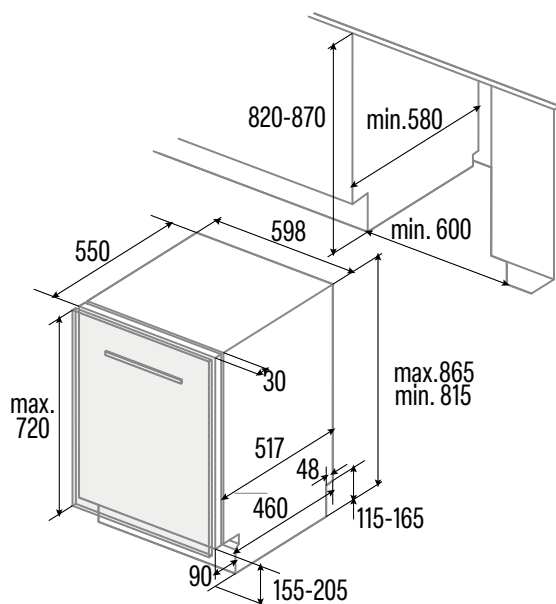


- **14 place settings**
- **Energy class E** drying and cleaning A
- 11 liters water consumption per cycle
- 49 dB(A) noise level
- 5 programs: Intensive, normal, ECO, Express 90', Quick 30'
- Functions: Program delay 3/6/9 h, half load, extradry., stop/pause
- **LED indicators:** Salt level, low rinse aid
- Regulable upper basket with folding supports
- Lower basket with folding supports
- Slider detergent dispenser

LVI 47010
Cod. **07200081** EAN **8422248351409**



- **10 place settings**
- **Energy class E** drying and cleaning A
- 9 liters water consumption per cycle
- 47 dB(A) noise level
- 8 programs: Intensive, Auto, normal, ECO, Glass, Express 90', Quick 30'
- Functions: Program delay 24 h, half load, extradry.
- **LED indicators:** Salt level, low rinse aid
- Display with: 24h delay timer, end program, programs, salt and brightener
- Regulable upper basket with folding supports
- Lower basket with folding supports
- Slider detergent dispenser





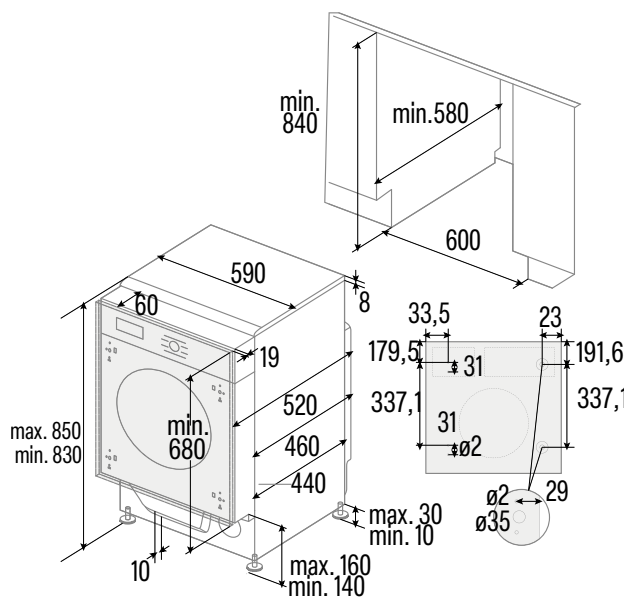
BUILT-IN WASHING MACHINE



LI 08014
Cod. **07900002** EAN **8422248096942**



- **8 Kgs capacity**
- **1400 rpm**
- **Energy class B**
- Washing programs: 16
- Display, program delay 24h, duration and remaining time
- Special programs : Express 15', Hand Wash, Baby Care, Sports, Mix, Wool, My Cycle.
- Special functions: Extra rinse, prewash
- Foam reduction automatic system
- **Children safety lock**
- Independent selection of temperature and spin speed
- Automatic foam reduction system
- Self balanced load



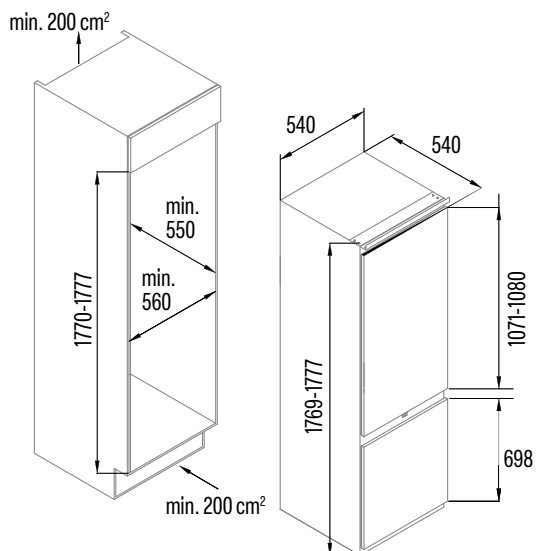
BUILT-IN REFRIGERATORS



CI-54177 ST
Cod. **07800078** EAN **8422248350945**



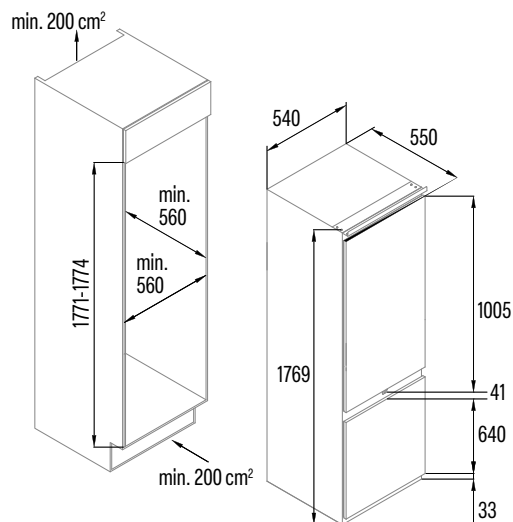
- 1,77m built in combi fridge
- **Energy efficiency E**
- Homogeneous cold inside the refrigerator
- Mechanical temperature regulation
- Refrigerator: 1 vegetable drawer, 3 balconies in door and 4 glass shelves
- Freezer: 3 large capacity drawers
- Super freeze function
- Net capacity (l): 249 (179+70)
- Electric consumption : 271 kW/year
- Freezing capacity 3kg/24 hours
- Climate class N/ST (16-38°)
- **LED lighting**
- Sliding door system
- Reversible doors



CI-54177 NF
Cod. **07800079** EAN **8422248350952**



- Combined Total no Frost 1,77 m
- **Energy efficiency E**
- **No Frost in Freezer & Fridge**
- Electronic temperature control
- Refrigerator: 1 meat/fish drawer, 1 fruit/vegetable drawer, 3 balconies in door and 5 glass shelves
- Freezer: 3 large capacity drawers
- **Metallic interior finishes**
- Net capacity 241 (177+64)
- Electric consumption: 233 kW/año
- Freezing capacity 2,5kg/24 hours
- Climatic class ST (18-38°)
- **LED Lighting**
- Sliding door system
- Reversible doors



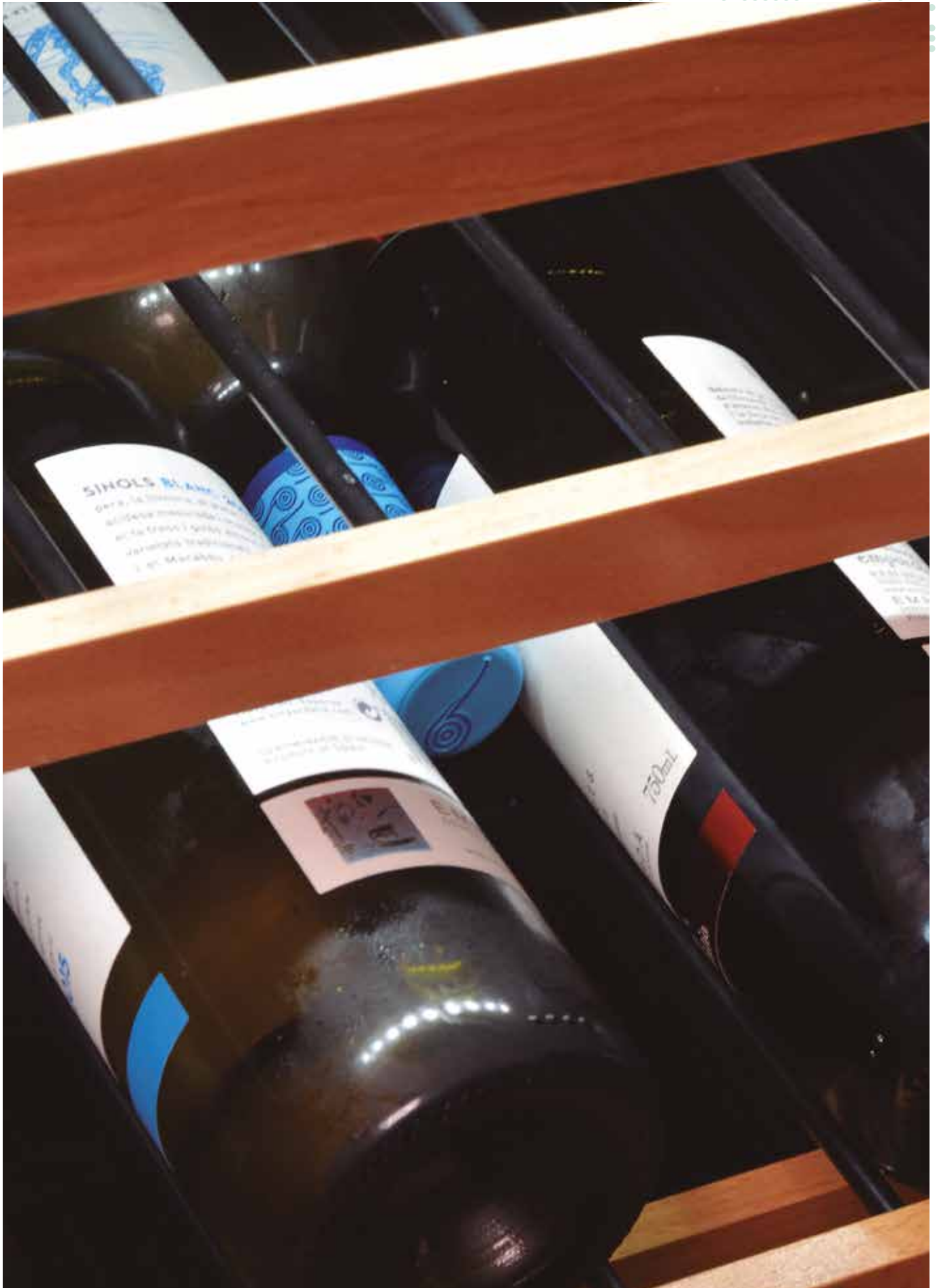




WINECOOLERS



WINE COOLERS



Complete built-in



No Frost, fully built-in wine coolers can fit in any space. The optimized shape of the wine cooler and the lower ventilation system will allow you to use the same plinth making your kitchen look uniform.

Efficiency and Robustness

The new **VI 54024 X** model, with a capacity for 28 bottles, is designed for installation in a column in a standard hole of 450 mm. With the advantage of having reversible doors, it will allow you to easily access its interior without difficulty. In addition, its SN / N / ST climate class allows it to function without any problem in environments between 10°C and up to 38°C.



Double Zone

The **CATA** wine coolers offers the possibility of conserving wines in two different temperature zones between 5 and 22°C. In this way, young, sweet, white wines as well as champagne can be preserved between 5 and 13°C and white and red wines between 13 and 22°C.



Wood Shelves

CATA wine coolers are manufactured with the highest standards of quality and with a touch of elegance. The wooden shelves contribute to give an unmistakable touch of elegance.





BUILT-IN WINE COOLERS

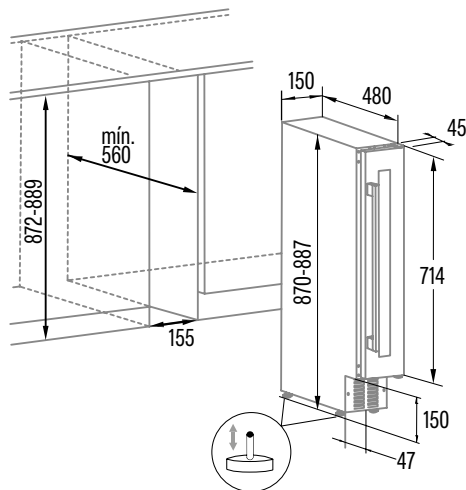


VI 15107 X

Cod. **07751006** EAN **8422248101790**



- **No frost built-in wine cooler**
- Capacity **7 bottles**
- Temperature between 5/20°C.
- **Electronic temperature control**
- **Digital touch control panel**
- **Inner LED light**
- Reversible door
- Inner ventilation for quick cooling
- Energy class G
- Climatic class SN/N/ST (10-38°)
- Sound level 41 dB
- Energy consumption 144 kWh/year
- Nominal power 60W
- 220-240V 50Hz

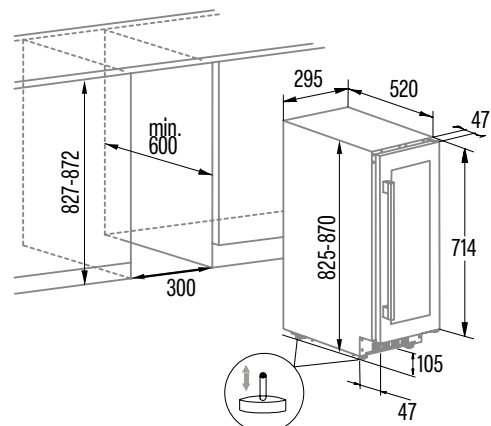


VI 30117 X

Cod. **07751007** EAN **8422248101806**



- **No frost built-in wine cooler**
- Capacity **17 bottles**
- Dual Temperature zone between 5/22°C
5/13° for white without oak-aging period, sweet, rosé and champagne
13/22° for white with oak-aging, red
- **Electronic temperature control**
- **Digital touch control panel**
- **Inner LED light**
- Reversible door
- Inner ventilation for quick cooling
- Energy class G
- Climatic class SN/N/ST (10-38°)
- Sound level 41dB
- Energy consumption 137 kWh/year
- Nominal power 80W
- 220-240V 50Hz



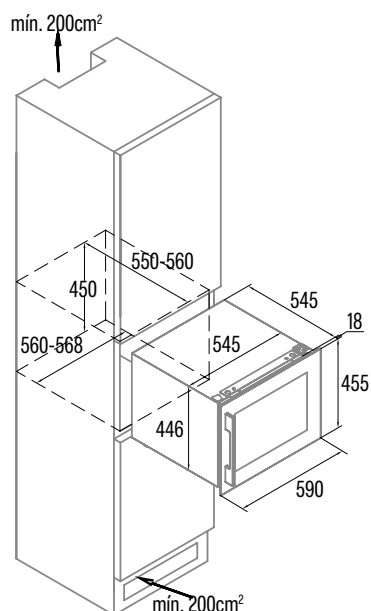
BUILT-IN WINE COOLERS



VI 54024 X
Cod. 07751008 EAN 8422248101837



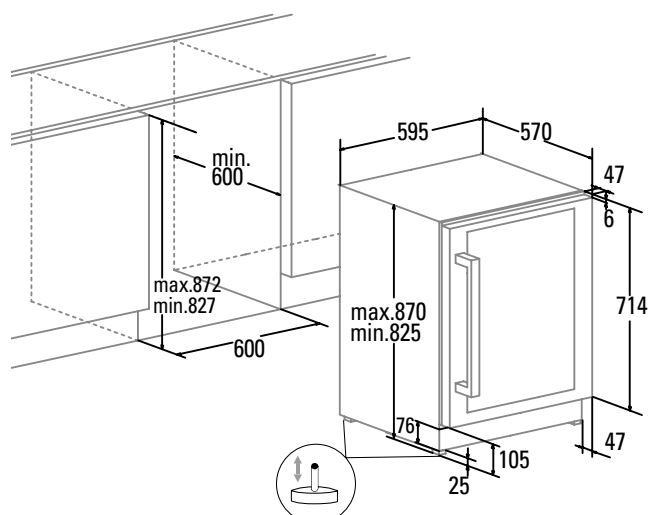
- **No frost built-in wine cooler**
- Capacity **28 bottles**
- Temperature between 5/20°C.
- **Electronic temperature control**
- **Digital touch control panel**
- **Inner LED light**
- Reversible door
- Inner ventilation for quick cooling
- 2 wooden shelves
- Energy class G
- Climatic class SN/N/ST (10-38°)
- Sound level 40 dB
- Energy consumption 135 kWh/year
- Nominal power 65W
- 220-240V 50Hz



VI 59082 X
Cod. 07702004 EAN 8422248098915



- **No frost built-in wine cooler**
- Capacity **46 bottles**
- Dual Temperature zone between 5/22°C
5/13° for white without oak-aging period, sweet, rosé and champagne
13/22° for white with oak-aging, red
- 5 wooden shelves
- **Electronic temperature control**
- **Digital touch control panel**
- **Inner LED light**
- Reversible door
- Inner ventilation for quick cooling
- Energy class G
- Climatic class SN/N/ST (10-38°C)
- Sound level 41dB
- Energy consumption 144 kWh/año
- 220-240V 50Hz





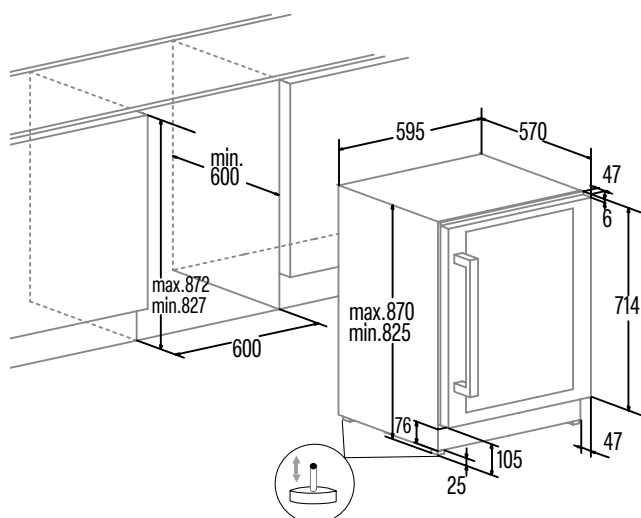
BUILT-IN WINE COOLERS



VI 59082 BK
Cod. **07701404** EAN **8422248110785**



- **No frost built-in wine cooler**
- Capacity **46 bottles**
- Dual Temperature zone between 5/22°C
5/13° for white without oak-aging period, sweet, rosé and champagne
13/22° for white with oak-aging, red
- 5 wooden shelves
- **Electronic temperature control**
- **Digital touch control panel**
- **Inner LED light**
- Reversible door
- Inner ventilation for quick cooling
- Energy class G
- Climatic class SN/N/ST (10-38°C)
- Sound level 41dB
- Energy consumption 144 kWh/año
- 220-240V 50Hz





WINE COOLERS



SINK and TAPS





UNDERMOUNT SINKS



CB 50-40 R10 p174



CB 45-40 R10 p174



CB 40-40 PR10 p175



CB 40-40 R10 p175



CB-2 p176



CB 50-40 p176



CB 45-40 p177



CB 40-40 p177

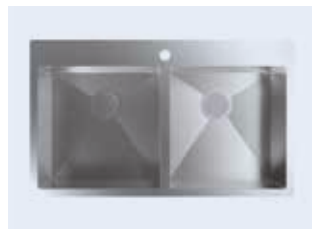


CBP 40-40 p178

TOP-MOUNT SINKS



CBS-140-40 D R10 p178



CBS-2 40-40 R10 p179



CBS-1 54-40 R10 p179



CDL-1 REV p180



CDL-1 EI p180



CDL-1 ED p180



CDP-1 REV p181



CDP-1 EI p181



CDP-1 ED p181



CDS-1 REV p182



CDS-1 EI p182



CDS-1 ED p183



C-2 AG p183



RD-1 REV p183



R-2 AG p184



CSS60-1 p184



CSS-1 p185



CS-1 p185



RS-1 p186

TAPS



CPA p187



CPB p187



XPB p188



XSE p188



CSE p189



BSE p189



CSA p190



CMA p190



CBA p191



CBB p191



Included accessories

All **CATA** collection sinks include, with the purchase, the accessories required for proper installation such as **seal tape**, **fasteners staples**, **overflow pipe** and the **siphon**.

High resistance stainless steel

The usage of stainless steel in all sinks, harmonizes perfectly with all materials in your kitchen, adding a stylish look and enhancing the colors and textures. They are easy to clean thanks to the non-porous surfaces polished and rounded edges. They offer high longevity, maintaining its appearance for decades, offering resistance to heat and corrosion.



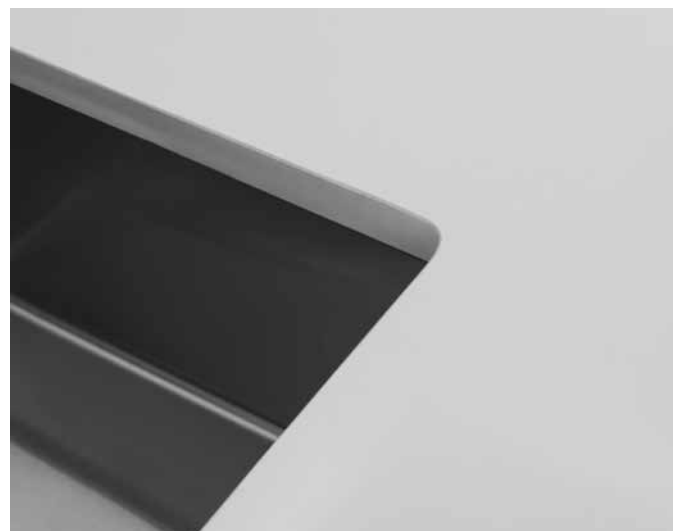
Installation Types

On surface

This is the most common and usual placement system. The sink rests on the worktop and is installed quickly and easily by using staples for easy installation.

Under surface

Using this type of sink, the integration and harmony between worktop and sink is total. This installation provides a completely smooth solution top and offers continuity, avoiding ridges and providing an easy cleaning of the surface.



INOX Tap Series and Functionality

CATA incorporates in its catalogue a new series of faucets in stainless steel with high quality finishes.

From the functional point of view, CATA incorporates a range of models to suit your kitchen environment, being a functional faucet/tap without forgetting the design and ergonomics. In the current catalog we can find models with a removable spout in order to make the filling and cleaning pots easier. With the removable spout you will easily reach any corner of your sink.



High quality finishing Details make the difference

All **CATA** models only use high-quality materials and finishes, made of melted brass and chrome. To ensure the long life of our products, both inside and outside appearance, each of our tap are subjected to strict testing to ensure optimum quality.



Triangular reinforcements

As accessory included in CMA, CPA and CPB models, we include triangular reinforcements useful for properly and safely installing any stainless steel sink.



Mixer tap and ceramic cartridges

Our tap offer is based on mixer models and thanks to the usage of ceramic cartridges we manage to lengthen the life of the tap, obtaining a reliable and durable product. The ceramic cartridges provide less wear and a responsive closure with absolute tightness.





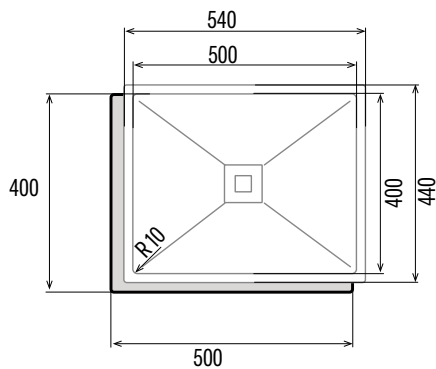
UNDERMOUNT SINKS



CB 50-40 R10
Cod. **02625006** EAN **8422248108652**



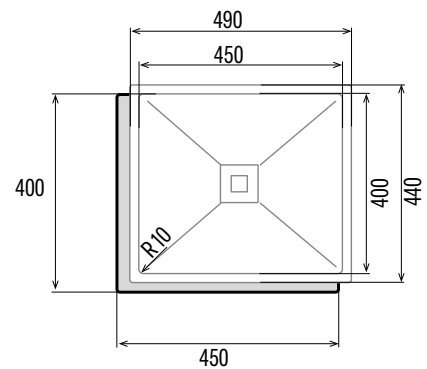
- **10mm radius square bowl**
- Installation in 60-cm unit
- Dimensions: 54 x 44 cm
- **Bowl depth 20cm**
- **Noise absorber foam**
- **Anti condensation coating**
- Stainless steel AISI 304 18/10
- Hidden basket valve 3 1/2"
- **Thickness 1,2mm**
- **Accessories:**
 - Watertight strip
 - Fastening clamps
 - Overflow pipe
 - Siphon



CB 45-40 R10
Cod. **02621006** EAN **8422248108645**



- **10mm radius square bowl**
- Installation in 60-cm unit
- Dimensions: 49 x 44 cm
- **Bowl depth 20cm**
- **Noise absorber foam**
- **Anti condensation coating**
- Stainless steel AISI 304 18/10
- Basket valve 3 1/2"
- **Thickness 1,2mm**
- **Accessories:**
 - Watertight strip
 - Fastening clamps
 - Overflow pipe
 - Siphon



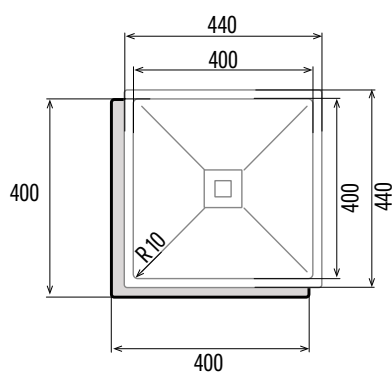
UNDERMOUNT SINKS



CB 40-40 P R10
Cod. **02624006** EAN **8422248108669**



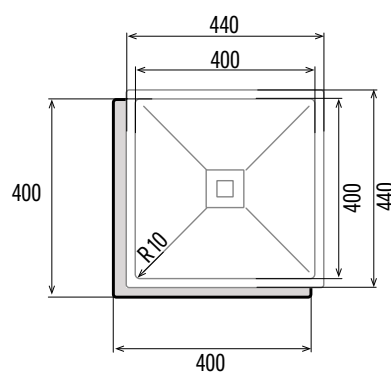
- **10mm radius square bowl**
- Installation in 50-cm unit
- Dimensions: 44 x 44 cm
- **Bowl depth 25cm**
- **Noise absorber foam**
- **Anti condensation coating**
- Stainless steel AISI 304 18/10
- Basket valve 3 1/2"
- **Thickness 1,2mm**
- **Accessories:**
Watertight strip
Fastening clamps
Overflow pipe
Siphon



CB 40-40 R10
Cod. **02624016** EAN **8422248108638**



- **10mm radius square bowl**
- Installation in 50-cm unit
- Dimensions: 44 x 44 cm
- **Bowl depth 20cm**
- **Noise absorber foam**
- **Anti condensation coating**
- Stainless steel AISI 304 18/10
- Basket valve 3 1/2"
- **Thickness 1,2mm**
- **Accessories:**
Watertight strip
Fastening clamps
Overflow pipe
Siphon





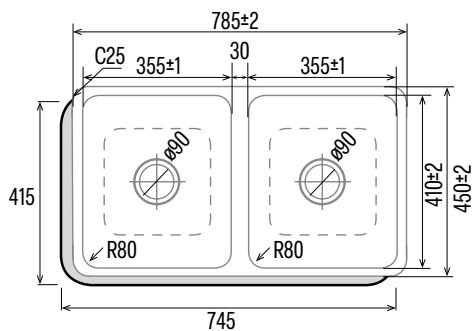
UNDERMOUNT SINKS



CB-2
Cod. **02607101** EAN **8422248074681**



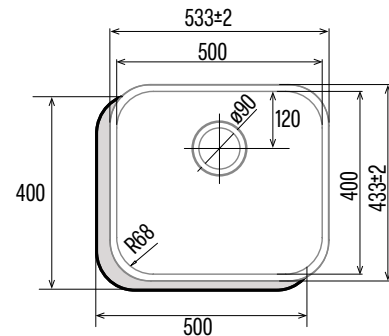
- **Double square bowl**
- Installation in 90-cm unit
- Dimensions: 78 x 45 cm
- **Bowl depth 20cm**
- **Noise absorber foam**
- Stainless steel AISI 304 18/8
- Basket valve 3 1/2"
- Thickness 0,9mm
- **Accessories:**
 - Watertight strip
 - Fastening clamps
 - Overflow pipe
 - Siphon



CB 50-40
Cod. **02625300** EAN **8422248048743**



- **Square bowl**
- Installation in 60-cm unit
- Dimensions: 53 x 43 cm
- **Bowl depth 20cm**
- **Noise absorber foam**
- Stainless steel AISI 304 18/8
- Basket valve 3 1/2"
- Thickness 0,8mm
- **Accessories:**
 - Watertight strip
 - Fastening clamps
 - Overflow pipe
 - Siphon



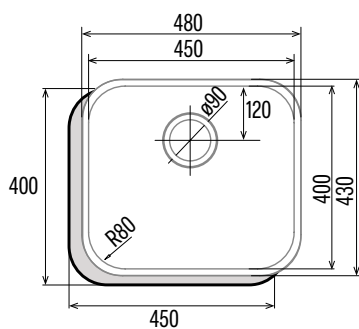
UNDERMOUNT SINKS



CB 45-40
Cod. **02621009** EAN **8422248043175**



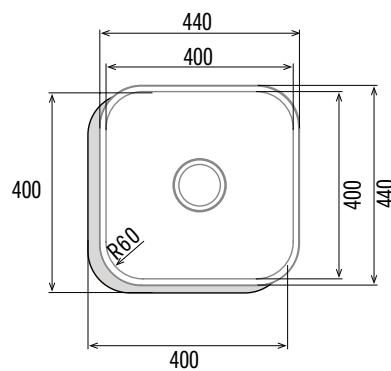
- **Square bowl**
- Installation in 60-cm unit
- Dimensions: 48 x 43 cm
- Bowl depth 18cm
- **Noise absorber foam**
- Stainless steel AISI 304 18/8
- Basket valve 3 1/2"
- Thickness 0,8mm
- **Accessories:**
Watertight strip
Fastening clamps
Overflow pipe
Siphon



CB 40-40
Cod. **02624007** EAN **8422248109000**



- **Square bowl**
- Installation in 50-cm unit
- Dimensions: 44 x 44 cm
- Bowl depth 18cm
- **Noise absorber foam**
- Stainless steel AISI 304
- Basket valve 3 1/2"
- Thickness 0,7mm
- **Accessories:**
Watertight strip
Fastening clamps
Overflow pipe
Siphon





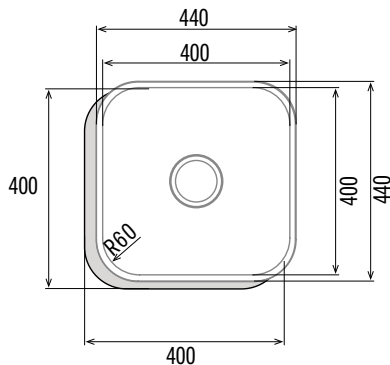
UNDERMOUNT SINKS



CBP 40-40
Cod. **02624302** EAN **8422248109017**



- **Square bowl**
- Installation in 50-cm unit
- Dimensions: 44 x 44 cm
- **Bowl depth 20cm**
- **Noise absorber foam**
- Stainless steel AISI 304
- Basket valve 3 1/2"
- Thickness 0,7mm
- **Accessories:**
Watertight strip
Fastening clamps
Overflow pipe
Siphon



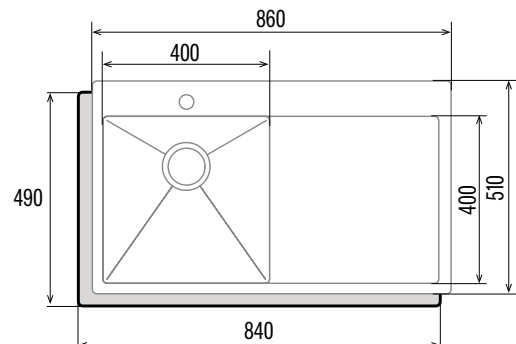
TOP-MOUNT SINKS



CBS-140-40 D R10
Cod. **02624008** EAN **8422248109024**



- **10mm radius square bowl with draining board**
- Installation in 45-cm unit
- Dimensions: 86 x 51 cm
- **Bowl depth 20cm**
- **Noise absorber foam**
- **Anti condensation coating**
- Stainless steel AISI 304
- Basket hidden valve 3 1/2"
- **Thickness 1,2mm**
- **Accessories:**
Watertight strip
Fastening clamps
Overflow pipe
Siphon



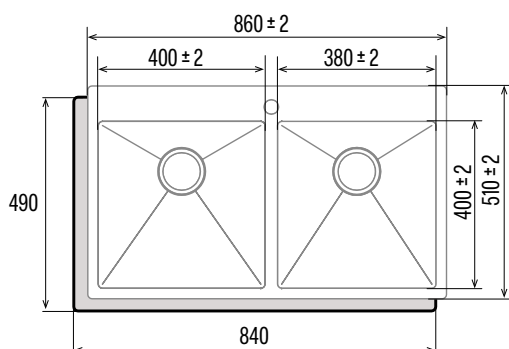
TOP-MOUNT SINKS



CBS-2 40-40 R10
Cod. **02624009** EAN **8422248109031**



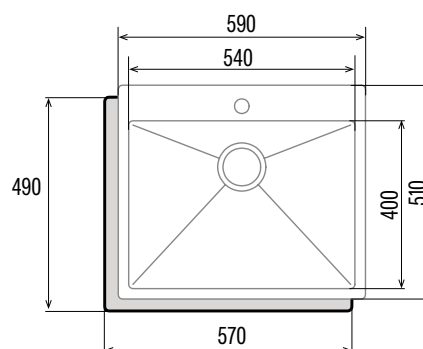
- **10mm radius double square bowl**
- Installation in 90-cm unit
- Dimensions: 86 x 51 cm
- **Bowl depth 20cm**
- **Noise absorber foam**
- **Anti condensation coating**
- Stainless steel AISI 304
- Basket hidden valve 3 1/2"
- **Thickness 1,2mm**
- **Accessories:**
Watertight strip
Fastening clamps
Overflow pipe
Siphon



CBS-1 54-40 R10
Cod. **02624010** EAN **8422248109048**



- **10mm radius square bowl**
- Installation in 60-cm unit
- Dimensions: 59 x 51 cm
- **Bowl depth 20cm**
- **Noise absorber foam**
- **Anti condensation coating**
- Stainless steel AISI 304
- Basket hidden valve 3 1/2"
- **Thickness 1,2mm**
- **Accessories:**
Watertight strip
Fastening clamps
Overflow pipe
Siphon





TOP-MOUNT SINKS



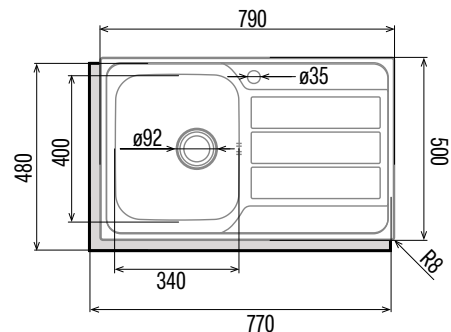
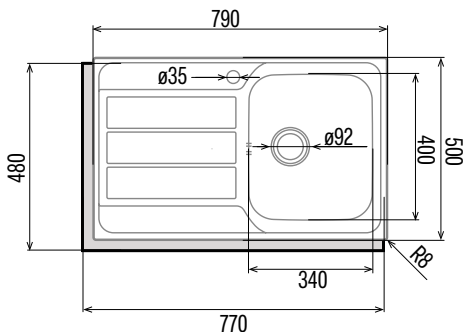
CDL-1 EI
Cod. **02606601** EAN **8422248108911**

CDL-1 ED
Cod. **02606602** EAN **8422248108928**

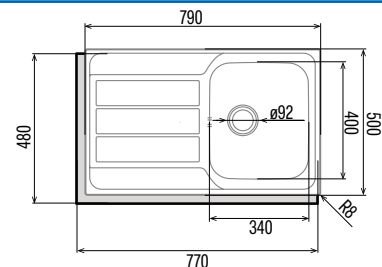


- **1 square bowl with draining board**
- **Reversible** (Model CDL-1REV)
- Installation in 45-cm unit
- Dimensions: 79 x 50 cm
- Bowl depth 18cm
- **Noise absorber foam**
- Stainless steel AISI 304 18/8
- Basket valve 3 1/2"
- Thickness 0,8mm
- **Accessories:**
 - Watertight strip
 - Fastening clamps
 - Overflow pipe
 - Siphon

- **1 square bowl with draining board**
- **Reversible** (Model CDL-1REV)
- Installation in 45-cm unit
- Dimensions: 79 x 50 cm
- Bowl depth 18cm
- **Noise absorber foam**
- Stainless steel AISI 304 18/8
- Basket valve 3 1/2"
- Thickness 0,8mm
- **Accessories:**
 - Watertight strip
 - Fastening clamps
 - Overflow pipe
 - Siphon



CDL-1 REV
Cod. **02606603** EAN **8422248108904**



TOP-MOUNT SINKS



CDP-1 EI
Cod. **02606501** EAN **8422248108942**

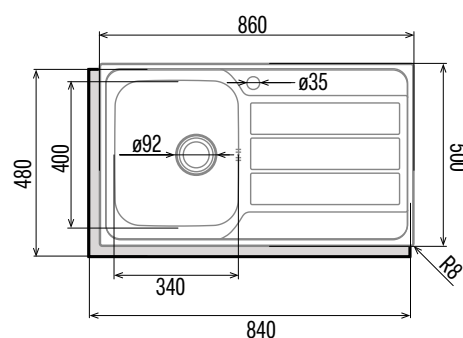
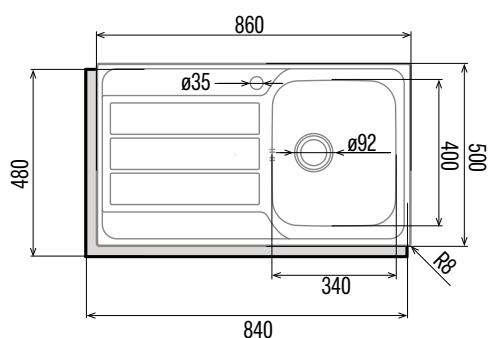
CDP-1 ED
Cod. **02606502** EAN **8422248108959**



- **1 square bowl with draining board**
- **Reversible** (Model CDP-1REV)
- Installation in 45-cm unit
- Dimensions: 86 x 50 cm
- Bowl depth 18cm
- **Noise absorber foam**
- Stainless steel AISI 304 18/10
- Basket valve 3 1/2"
- Thickness 0,8mm
- **Accessories:**
Pre-sealed strap in the sink, easy installation and ensures sealing
 Fastening clamps
 Overflow pipe
 Siphon

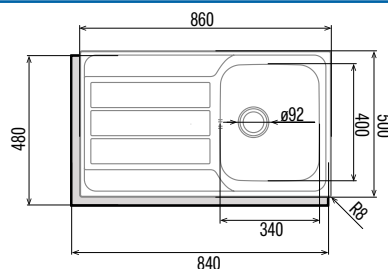


- **1 square bowl with draining board**
- **Reversible** (Model CDP-1REV)
- Installation in 45-cm unit
- Dimensions: 86 x 50 cm
- Bowl depth 18cm
- **Noise absorber foam**
- Stainless steel AISI 304 18/10
- Basket valve 3 1/2"
- Thickness 0,8mm
- **Accessories:**
Pre-sealed strap in the sink, easy installation and ensures sealing
 Fastening clamps
 Overflow pipe
 Siphon



CDP-1 REV
Cod. **02606503** EAN **8422248108935**

NEW





TOP-MOUNT SINKS



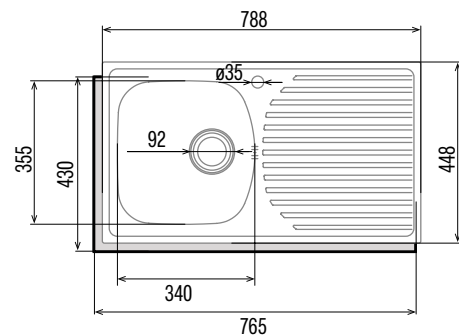
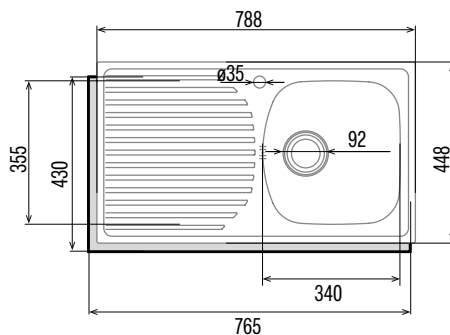
CDS-1 EI
Cod. **02606401** EAN **8422248108973**

CDS-1 ED
Cod. **02606402** EAN **8422248108980**

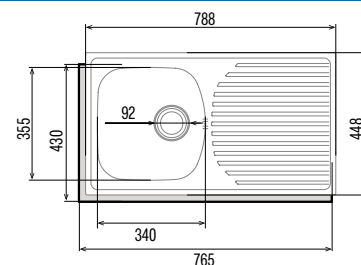


- **1 square bowl with draining board**
- **Reversible** (Model CDS-1REV)
- Installation in 45-cm unit
- Dimensions: 88 x 45 cm
- Bowl depth 15cm
- **Noise absorber foam**
- Stainless steel AISI 304 18/10
- Basket valve 3 1/2"
- Thickness 0,5mm
- **Accessories:**
 - Watertight strip
 - Fastening clamps
 - Overflow pipe
 - Siphon

- **1 square bowl with draining board**
- **Reversible** (Model CDS-1REV)
- Installation in 45-cm unit
- Dimensions: 88 x 45 cm
- Bowl depth 15cm
- **Noise absorber foam**
- Stainless steel AISI 304 18/10
- Basket valve 3 1/2"
- Thickness 0,5mm
- **Accessories:**
 - Watertight strip
 - Fastening clamps
 - Overflow pipe
 - Siphon



CDS-1 REV
Cod. **02606400** EAN **8422248074421**



TOP-MOUNT SINKS

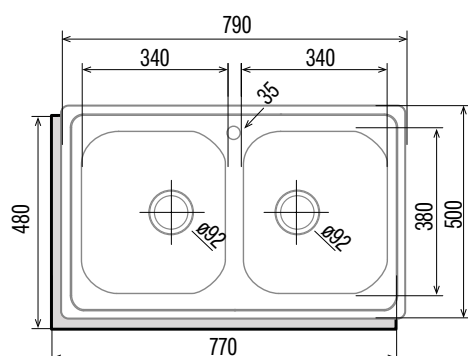


C-2 AG
Cod. **02607102** EAN **8422248109055**



- **2 square bowl**
- Installation in 80-cm unit
- Dimensions: 79 x 50 cm
- **Bowl depth 20cm**
- **Noise absorber foam**
- Stainless steel AISI 304 18/8
- Basket valve 3 1/2"
- Thickness 0,7mm
- **Accessories:**
Watertight strip
Fastening clamps
Overflow pipe
Siphon

Includes stainless steel lid for hole if the tap is installed on the top or in the wall

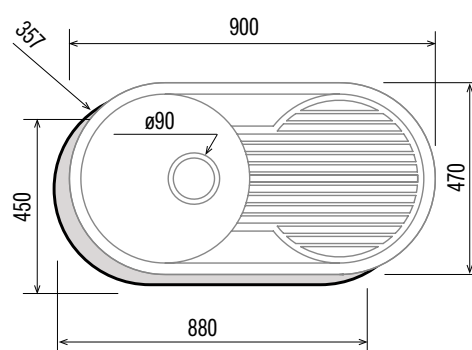


RD-1 REV
Cod. **02603300** EAN **8422248074414**

NEW



- **1 round bowl with draining board**
- Installation in 45-cm unit
- Dimensions: 90 x 47 cm
- Bowl depth 15cm
- **Noise absorber foam**
- Stainless steel AISI 304 18/10
- Basket valve 3 1/2"
- Thickness 0,5mm
- **Accessories:**
Watertight strip
Fastening clamps
Overflow pipe
Siphon





TOP-MOUNT SINKS

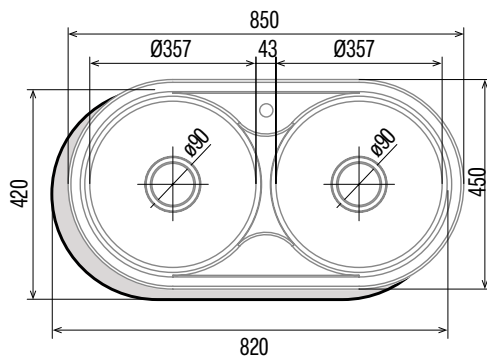


R-2 AG
Cod. **02604209** EAN **8422248043151**



- **2 round bowl**
- Installation in 90-cm unit
- Dimensions: 85 x 45 cm
- Bowl depth 18cm
- **Noise absorber foam**
- Stainless steel AISI 304 18/8
- Basket valve 3 1/2"
- Thickness 0,8mm
- **Accessories:**
- Watertight strip
- Fastening clamps
- Overflow pipe
- Siphon

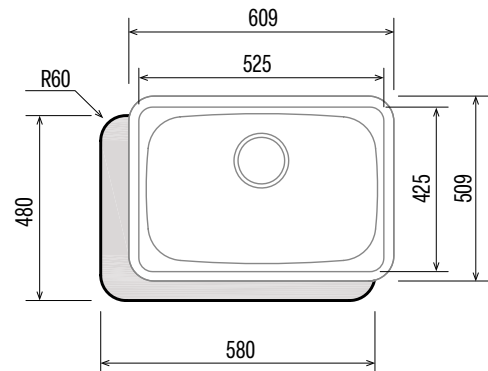
Includes stainless steel lid for hole if the tap is installed on the top or in the wall



CSS60-1
Cod. **02612300** EAN **8422248074377**



- **Square bowl**
- Installation in 60-cm unit
- Dimensions: 60,9 x 50,9 cm
- Bowl depth 15cm
- **Noise absorber foam**
- Stainless steel AISI 304 18/8
- Basket valve 3 1/2"
- Thickness 0,7mm
- **Accessories:**
- Watertight strip
- Fastening clamps
- Overflow pipe
- Siphon



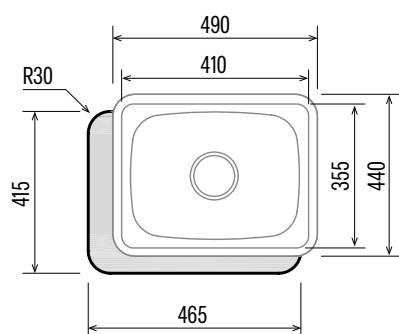
TOP-MOUNT SINKS



CSS-1
Cod. **02612400** EAN **8422248074384**



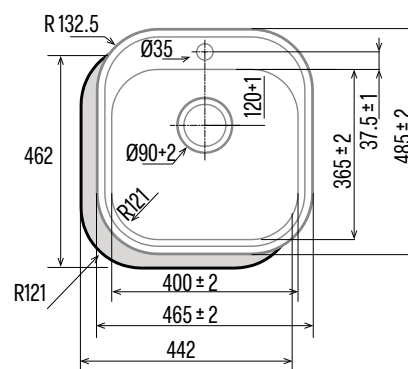
- **Square bowl**
- Installation in 50-cm unit
- Dimensions: 49 x 44 cm
- Bowl depth 15cm
- **Noise absorber foam**
- Stainless steel AISI 304 18/8
- Basket valve 3 1/2"
- Thickness 0,7mm
- **Accessories:**
Watertight strip
Fastening clamps
Overflow pipe
Siphon



CS-1
Cod. **02612101** EAN **8422248055338**



- **Square bowl**
- Installation in 45-cm unit
- Dimensions: 46,5 x 48,5 cm
- Bowl depth 16,5cm
- **Noise absorber foam**
- Stainless steel AISI 304 18/8
- Basket valve 3 1/2"
- Thickness 0,8mm
- **Accessories:**
Watertight strip
Fastening clamps
Overflow pipe
Siphon





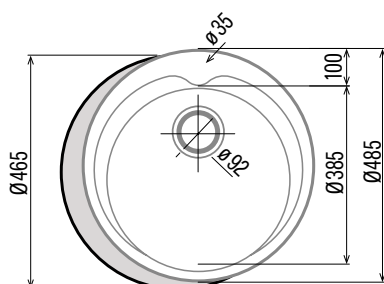
TOP-MOUNT SINKS



RS-1
Cod. **02602100** EAN **8422248108997**



- **Round bowl**
- Installation in 45-cm unit
- Dimensions: \varnothing 48.5 cm
- Bowl depth 16cm
- **Noise absorber foam**
- Stainless steel AISI 304 18/8
- Basket valve 3 1/2"
- Thickness 0.7mm
- **Accessories:**
 - Watertight strip
 - Fastening clamps
 - Overflow pipe
 - Siphon



TAPS



CPA
Cod. **02507400** EAN **8422248107938**

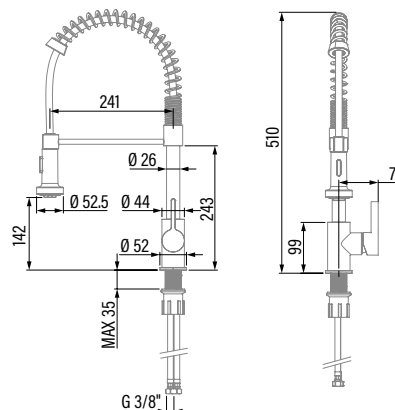
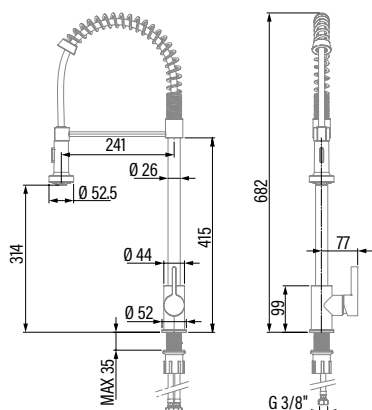


- Brass tap
- **Ceramic cartridge**
- **Cold start**
- Removable stem
- Revolving stem 360°
- **Anti scale areator with flow limit**
- Flow rate spout / shower at 3 bar: 5/7 l/min
- Chrome finish
- M10x1x3/8" certified flexible inlet pipes
- Stabilizing triangle

CPB
Cod. **02506400** EAN **8422248107914**



- Brass tap
- **Ceramic cartridge**
- **Cold start**
- Removable stem
- Revolving stem 360°
- **Anti scale areator with flow limit**
- Flow rate spout / shower at 3 bar: 5/7 l/min
- Chrome finish
- M10x1x3/8" certified flexible inlet pipes
- Stabilizing triangle





TAPS



XPB

Cod. 02506300 EAN 8422248107921



- Stainless Steel tap
- **Ceramic cartridge**
- **Cold start**
- Removable stem
- Revolving stem 360°
- **Anti scale areator with flow limit**
- Flow rate spout / shower at 3 bar: 5/7 l/min
- Satin finish
- Lead Free
- M10x1x3/8" certified flexible inlet pipes

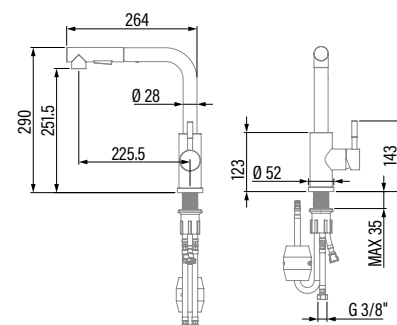
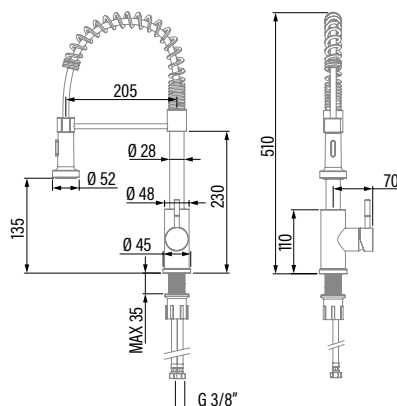


XSE

Cod. 02500301 EAN 8422248107907



- Stainless Steel tap
- **Ceramic cartridge**
- **Cold start**
- Removable stem
- Revolving stem 360°
- **Anti scale areator with flow limit**
- Flow rate at 3 bar: 5 l/min
- Satin finish
- Lead Free
- M10x1x3/8" certified flexible inlet pipes



TAPS



CSE

Cod. **02500401** EAN **8422248107891**



- Brass tap
- **Ceramic cartridge**
- **Cold start**
- Removable stem
- Revolving stem 360°
- **Anti scale areator with flow limit**
- Flow rate at 3 bar: 5 l/min
- Chrome finish
- M10x1x3/8" certified flexible inlet pipes



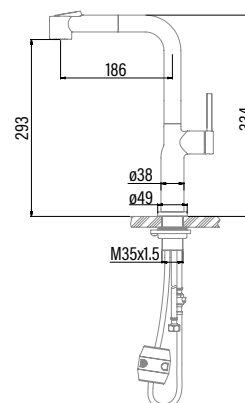
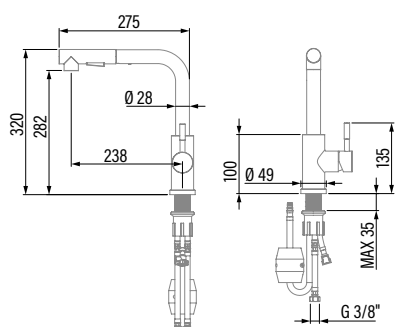
BSE

Cod. **02500601** EAN **8422248355308**

NEW



- Brass tap
- **Ceramic cartridge**
- **Cold start**
- Removable stem
- Revolving stem 360°
- **Anti scale areator with flow limit**
- Flow rate spout / shower at 3 bar: 5/5 l/min
- Black finish





TAPS

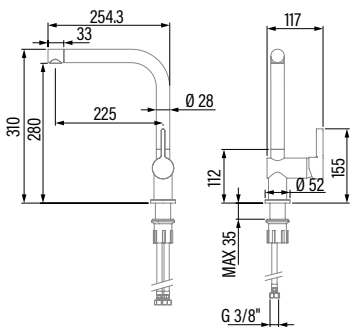


CSA

Cod. **02500400** EAN **8422248107884**



- Brass tap
- **Ceramic cartridge**
- **Cold start**
- Revolving stem 360°
- **Anti scale areator with flow limit**
- Flow rate at 3 bar: 5 l/min
- Chrome finish
- M10x1x3/8" certified flexible inlet pipes

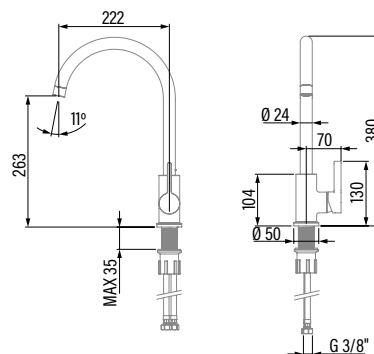


CMA

Cod. **02503400** EAN **8422248107877**



- Brass tap
- **Ceramic cartridge**
- **Cold start**
- Revolving stem 360°
- **Anti scale areator with flow limit**
- Flow rate at 3 bar: 5 l/min
- Chrome finish
- M10x1x3/8" certified flexible inlet pipes
- Stabilizing triangle



TAPS



CBA
Cod. **02502400** EAN **8422248107860**

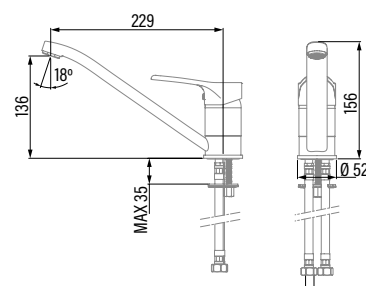
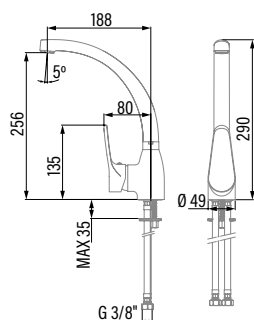


- Brass tap
- **Ceramic cartridge**
- Revolving stem 360°
- **Anti scale areator with flow limit**
- Flow rate at 3 bar: 5 l/min
- Chrome finish
- M10x1x3/8" certified flexible inlet pipes

CBB
Cod. **02501400** EAN **8422248107778**



- Brass tap
- **Ceramic cartridge**
- Revolving stem 360°
- **Anti scale areator with flow limit**
- Flow rate at 3 bar: 5 l/min
- Chrome finish
- M10x1x3/8" certified flexible inlet pipes





TECHNICAL INFORMATION & ACCESSORIES



Code	02159420	02189020	08000405	08000406	08000403	02119207	02119203	02119101
EAN	8422248343077	8422248344692	8422248109406	8422248198554	8422248102568	8422248069342	8422248062084	8422248074230
Model	RENOVA PURE AIR VN90 BK	RENOVA PURE AIR MNV90 GWH	AS 750	AS 600	IAS 770	ISLA MAGRABA	ISLA MOON	ISLA FARO X
Type	Vertical	Box	Surface	Surface	Surface	Island	Island	Island
Product fiche according to directives EU65/2014 - EN61591, EN60704-2-13, EN50564								
AEC (Annual Energy consumption) (kWh/annum)	-	-	29	29	29	97,1	97,1	56,3
EI class (Energy Efficiency Class)	-	-	A	A+	A	C	C	A
FDE (Fluid Dynamic Efficiency)	-	-	27,2	32	27,2	15,7	15,9	30,6
FDE class (Fluid Dynamic Efficiency Class)	-	-	B	A	B	D	D	A
LE (Lighting Efficiency) (lux/W)	-	-	-	-	0	14,3	14,3	36
LE class (Lighting Efficiency Class)	-	-	-	-	0	D	D	A
GFE (Grease Filtering Efficiency)	-	-	45,8	45,8	45,8	91,2	91,2	91,2
GFE Class (Grease Filtering Efficiency class)	-	-	F	F	F	B	B	B
Air flow at minimum speed (m ³ /h)	-	-	200	246,4	198,6	300	300	340
Air flow at maximum speed (m ³ /h)	-	-	440,1	446,3	440,1	645	645	600
Air flow at intensive speed (TURBO) (m ³ /h)	-	-	580	531,5	545,2	-	-	800
Sound Power Level at minimum speed (dB)	-	-	45	45	45	48	48	50
Sound Power Level at maximum speed (dB)	-	-	64	64	64	63	63	65
Sound Power Level at intensive speed (TURBO) (dB)	-	-	67	67	67	-	-	67
Po (Power Consumption in off mode) (W)	-	-	0,46	0,4	0,46	0,26	0,45	0,26
Ps (Power Consumption in standby) (W)	-	-	-	-	0	0	0	0
Integration directive EU 66/2014								
f (Time Increase Factor)	-	-	1	1	1	1,4	1,4	0,9
EI (Energy Efficiency Index)	-	-	49,2	49,2	49,2	84,1	84,1	53,7
QBEP (Flow Rate at Best Efficiency Point) (m ³ /h)	-	-	264,2	264,2	264,2	385,1	386,4	416,9
PBEP (Static Pressure Difference at Best Efficiency Point) (Pa)	-	-	294	294	294	253	254	411
WBEP (Electric Power Input at Best Efficiency Point) (W)	-	-	79,4	79,4	79,4	172,1	171,5	155,7
WL (Nominal Power Consumption of Lighting system) (W)	-	-	0	0	0	10,5	10,5	7
EMIDDLE (Average Illumination of Lighting system on Cooking surface) (lux)	-	-	0	0	0	150	150	252
External Dimensions								
Width (mm)	900	900	770	590	770	650	400	400
Depth (mm)	314	310-350	520	520	520	650	400	400
Total max height(mm)	1170	670	250	275	285	1700	1700	1090
Total min height(mm)	855	520	-	-	-	720	860	700
Outlet Diameter (mm)	-	-	150	150	150	-	-	150/125
Characteristics								
Motor	BT4DC	BT4DC	BLDC	BLDC	BLDC	BT2	BT2	BT3
Extraction Levels	5 + 1	5 + 1	5+1	5+1	5+1	3	3	2 + 1
Motor Maximum Power Consumption	140	140	135	135	135	200	200	280
Maximum Pressure	357	357	-	-	-	400	400	450
Intensive Speed (TURBO) Pressure	365	365	-	-	-	-	-	470
Control Type	TCD6i	TCD6i	TC	TC	TC	VL3	TC3V	VL3i
Automatic shut-down timer	√	√	√	√	√	√	√	√
Electronic Filter Saturation Indicator	√	√	√	√	√	-	√	-
Filter Type	Metallic/Plasma	Metallic/Plasma	Metallic	Metallic	Metallic	Metallic	Dual	Metallic
Anti-grease Filter Number	2+1	3	2	2	2	1	1	1
Inner Shield	-	-	√	√	√	-	-	√
Lighting								
Light Type	SS Led	SSLED	-	-	-	EcoLed	EcoLed	EcoLed
Adjustable Intensity Lighting	√	√	-	-	-	-	√	-
N° of Lamps	1	1	-	-	-	3	3	2
Installation								
Minimum height distance to a electric worktop hob (mm)	400	550	-	-	-	650	650	650
Minimum height distance to a gas worktop hob (mm)	650	650	-	-	-	650	650	650
Installation with Outlet tube to the exterior / Recirculating	BOTH	BOTH	BOTH	BOTH	BOTH	RECIRCULATION	RECIRCULATION	BOTH
Easy Installation System	√	√	√	√	√	√	√	√
Electric Connection								
Total Rush Power (W)	158	158	7335	7335	7200	210,5	210,5	287
Rated Voltage (V)	220-240	220-240	220-240	220-240	220-240	220-240	220-240	220-240
Network Frequency (Hz)	50-60	50-60	50-60	50-60	50-60	50	50	50
Electrical Insulation Class	CLASS I	CLASS I	CLASE I	CLASE I	CLASS II	CLASS II	CLASS II	CLASS II
Plug	-	-	-	-	-	-	-	EU - 2 pins
Accessories								
Upper Decorative tube Extension	-	-	-	-	-	-	-	-
White Decorative Tube	-	-	-	-	-	-	-	-
Black Decorative Tube	-	-	-	-	-	-	-	-
Island Tube Enhancer	-	-	-	-	-	-	-	-
Check Valve	-	-	-	-	-	-	-	02832004
MAX PRO Metal Filter	-	-	-	-	-	-	-	-
Metal Filter	02800209-02800927	02811006	02800935*	02800935*	02800935*	-	-	02811004*
DUAL Filter (metal + active charcoal)	-	-	02800937	02800937	02800937	02800922*	02811003*	02811003
Active Charcoal Filter	-	-	02800939	02801000	02800939	-	-	-
Noiseless Flexible Duct	-	-	02893002	02893002	02893002	-	-	02893002
Top outlet motor cover	-	-	-	-	-	-	-	-
FCA kit without duct cover	-	-	-	-	-	-	-	-

0211308	0211309	0211002	0211001	0211305	02097202	02197313	02025205	02119311	02169303	02166303	02195309
8422248110891	8422248112642	8422248097437	8422248077750	8422248077798	8422248061681	8422248062121	8422248077736	8422248077743	8422248110100	8422248110297	8422248077774
ISLA BENNU SLIM 900 X/B	ISLA BENNU SLIM 1200 X/B	ISLA SIRIN GLASS 1000 GWH	ISLA SIRIN 1000 WH	ISLA Fenix 1000 X/A	ISLA LEGEND 900 XGBK	ISLA SYGMA 900 X/E	ISLA GAMMA 900 X/D	Isla Vega X /C	GALA 900 L	GALA 900 R	ANGOLO BOX 1000 X/C
Island	Island	Island	Island	Island	Island	Island	Island	Island	Corner wall chimney	Corner wall chimney	Corner
24	24	58,9	58,9	58,9	26	56,3	55,7	53,6	53,6	53,6	56,3
A+	A+	A	A	A	A+	A	A	A	A	A	A
35,2	35,2	31,5	31,5	31,5	33,1	30,6	30,2	30,6	30,6	30,6	30,6
A	A	A	A	A	A	A	A	A	A	A	A
27,7	27,7	36,6	36,6	36,6	36	36	36,6	41,2	41,2	41,2	36
B	B	A	A	A	A	A	A	A	A	A	A
58,6	58,6	91,2	91,2	91,2	91,2	91,2	91,2	91,2	91,2	91,2	91,2
E	E	B	B	B	B	B	B	B	B	B	B
266	266	340	340	340	200	340	340	340	340	340	340
535	535	600	600	600	645	600	600	600	600	600	600
570	570	850	850	850	820	850	800	850	802	802	800
50	50	50	50	50	40	50	50	50	50	50	50
65	65	65	65	65	64	65	65	65	65	65	65
67	67	67	67	67	67	67	67	67	67	67	67
0,32	0,32	0,3	0,3	0,3	0,41	0,26	0,26	0,32	0,32	0,32	0,26
0	0	0	0	0	0	0	0	0	-	-	0
0,7	0,7	0,9	0,9	0,9	0,8	0,9	0,9	0,9	0,9	0,9	0,9
37,4	37,4	54,6	54,6	54,6	44,8	53,7	53	54,6	52,1	52,1	53,7
289	289	350,4	350,4	350,4	344,8	416,9	429,4	421,1	416,9	416,9	416,9
375	375	380	380	380	244	411	405	416	411	411	411
85,3	85,3	132,8	132,8	132,8	70,8	155,7	159,8	154,1	155,7	155,7	155,7
3	3	14	14	14	7	14	14	14	3,5	3,5	7
83	83	513	513	513	252	252	513	513	144,2	144,2	252
860	1160	1000	1000	1000	900	900	900	600	900	900	1000
665	665	600	600	600	610	600	600	480	500	500	1000
170	170	500	500	500	1040	1040	1190	1185	985	985	1160
170	170	285	285	285	790	790	872	785	635	635	825
220x90 / 150	220x90 / 150	150	150	150	150/125	150/125	150/125	150/125	150/125	150/125	150/125
190	190	BT3	BT3	BT3	BTDCA	BT3	BT3	BT3	BT3	BT3	BT3
5+1	5+1	3+1	3+1	3+1	4+1	2+1	2+1	2+1	3+1	3+1	2+1
90	90	280	280	280	130	280	280	280	280	280	280
636,5	636,5	450	450	450	455	450	450	450	450	450	450
692,1	692,1	470	470	470	470	470	470	470	470	470	470
TC6i	TC6i	TC4i	TC4i	TC4i	TC5i	VL3i	VL3i	VL3i	NL4i	NL4i	VL3i
√	√	√	√	√	√	√	√	√	√	√	√
√	√	√	√	√	√	-	-	-	√	√	-
Metallic	Metallic	Metallic	Metallic	Metallic	Metallic	Metallic	Metallic	Metallic	Decorative s.steel	Decorative s.steel	Metallic
2	2	3	3	3	4	4	1	2	3	3	3
-	-	-	-	-	-	-	-	-	-	-	-
SSLED	SSLED	EcoLed	EcoLed	EcoLed	EcoLed	EcoLed	EcoLed	EcoLed	Eco Led Strip	Eco Led Strip	EcoLed
√	√	√	√	√	√	-	-	-	√	√	-
1	1	4	4	4	2	2	4	4	1	1	2
550	550	550	550	550	650	650	650	650	650	650	650
660	660	660	660	660	650	650	650	650	650	650	650
BOTH	BOTH	BOTH	BOTH	BOTH	BOTH	BOTH	BOTH	BOTH	√ / √	√ / √	BOTH
√	√	√	√	√	√	√	√	√	√	√	√
93	93	294	294	294	137	287	294	294	285	285	287
220-240	220-240	220-240	220-240	220-240	220-240	220-240	220-240	220-240	220-240	220-240	220-240
50	50	50	50	50	50	50	50	50	50	50	50
CLASE I	CLASE I	CLASS II	CLASS II	CLASS II	CLASS II	CLASS II	CLASS II	CLASS II	CLASS II	CLASS II	CLASS II
-	-	EU - 2 pins	EU - 2 pins	EU - 2 pins	EU - 2 pins	EU - 2 pins	EU - 2 pins	EU - 2 pins	EU pla- 2 Pins	EU	EU - 2 pins
-	-	-	-	-	-	-	-	-	-	-	02853300
-	-	-	-	-	-	-	-	-	-	-	-
-	-	-	-	-	02864300	02864300	-	02863300	-	-	-
-	-	02832006	02832006	02832006	02832004	02832004	02832004	02832004	02832004	02832004	02832004
-	-	02800917	02800917	02800917	02800917	02800917	-	02800917	02800917	02800917	02800917
02800930	02800930	02800200*	02800200*	02800200*	02800200*	02800200*	02812000*	02800200*	02800206	02800206	02800200*
02800922	02800922	02800918	02800918	02800918	02800918	02800918	-	02800918	02800918	02800918	02800918
-	-	02859398	02859398	02859398	02859398	02859398	02859398	02859398	02859398	02859398	-
-	-	02893002	02893002	02893002	02893002	02893002	02893002	02893002	02893002	02893002	02893002

Code	02195310	02184401	02129404	02127404	02129004	02127004	02184407
EAN	8422248077781	8422248082198	8422248190541	8422248190527	8422248190534	8422248190510	8422248106146
Model	ANGOLO X /D	GOYA PRO 90 BK	GOYA 90 BK CATA&ROCA	GOYA 70 BK CATA&ROCA	GOYA 90 WH CATA&ROCA	GOYA 70 WH CATA&ROCA	GRECO 90 BK CATA&ROCA
Type	Corner	Vertical	Vertical	Vertical	Vertical	Vertical	Vertical
Product fiche according to directives EU65/2014 - EN61591, EN60704-2-13, EN50564							
AEC (Annual Energy consumption) (kWh/annum)	56,3	14,5	14,5	14,5	14,5	14,5	56,3
EEL class (Energy Efficiency Class)	A	A+++	A+++	A+++	A+++	A+++	A
FDE (Fluid Dynamic Efficiency)	30,6	39,7	39,7	39,7	39,7	39,7	30,6
FDE class (Fluid Dynamic Efficiency Class)	A	A	A	A	A	A	A
LE (Lighting Efficiency) (lux/W)	36	26,3	26,3	26,3	26,3	26,3	28,7
LE class (Lighting Efficiency Class)	A	B	B	B	B	B	A
GFE (Grease Filtering Efficiency)	91,2	75,5	75,5	75,5	75,5	75,5	91,2
GFE Class (Grease Filtering Efficiency class)	B	C	C	C	C	C	B
Air flow at minimum speed (m³/h)	340	200	200	200	200	200	340
Air flow at maximum speed (m³/h)	600	605	605	605	605	605	600
Air flow at intensive speed (TURBO) (m³/h)	850	825	825	825	825	825	850
Sound Power Level at minimum speed (dB)	50	40	40	40	40	40	50
Sound Power Level at maximum speed (dB)	65	64	64	64	64	64	65
Sound Power Level at intensive speed (TURBO) (dB)	67	69	69	69	69	69	67
Po (Power Consumption in off mode) (W)	0,26	0,4	0,4	0,4	0,4	0,4	0,43
Ps (Power Consumption in standby) (W)	0	0,4	0	0	0	0	0
Integration directive EU 66/2014							
f (Time Increase Factor)	0,9	0,6	0,6	0,6	0,6	0,6	0,9
EEL (Energy Efficiency Index)	53,7	29,3	29,3	29,3	29,3	29,3	53,7
QBEP (Flow Rate at Best Efficiency Point) (m³/h)	416,9	259,7	259,7	259,7	259,7	259,7	416,9
PBEP (Static Pressure Difference at Best Efficiency Point) (Pa)	411	326,2	326,2	326,2	326,2	326,2	411
WBEP (Electric Power Input at Best Efficiency Point) (W)	155,7	59,2	59,2	59,2	59,2	59,2	155,7
WL (Nominal Power Consumption of Lighting system) (W)	7	3	3	3	3	3	7
EMIDDLE (Average Illumination of Lighting system on Cooking surface) (lux)	252	79	79	79	79	79	201
External Dimensions							
Width (mm)	985	900	900	700	900	700	900
Depth (mm)	985	296	300	300	300	300	300
Total max height(mm)	955	1160	1200	1200	1200	1200	1070
Total min height(mm)	765	845	845	845	845	845	755
Outlet Diameter (mm)	150/125	150	150/125	150/125	150/125	150/125	150/125
Characteristics							
Motor	BT3	BT4DC	BT4DC	BT4DC	BT4DC	BT4DC	BT3
Extraction Levels	2 + 1	5 + 1	5+1	5+1	5+1	5+1	3+1
Motor Maximum Power Consumption	280	140	135	135	135	135	280
Maximum Pressure	450	357	357	357	357	357	450
Intensive Speed (TURBO) Pressure	470	365	365	365	365	365	470
Control Type	VL3i	TFT Touch	TCD6i	TCD6i	TCD6i	TCD6i	TC4i
Automatic shut-down timer	√	√	√	√	√	√	√
Electronic Filter Saturation Indicator	-	√	√	√	√	√	√
Filter Type	Metallic	Metallic	Metallic	Metallic	Metallic	Metallic	Metallic
Anti-grease Filter Number	3	2 + 1	2+1	2+1	2+1	2+1	1+1
Inner Shield	-	-	-	-	-	-	-
Lighting							
Light Type	EcoLed	SS Led	SS Led	SS Led	SS Led	SS Led	EcoLed
Adjustable Intensity Lighting	-	√	√	√	√	√	√
Nº of Lamps	2	1	1	1	1	1	2
Installation							
Minimum height distance to a electric worktop hob (mm)	650	530	530	530	530	530	530
Minimum height distance to a gas worktop hob (mm)	650	650	650	650	650	650	650
Installation with Outlet tube to the exterior / Recirculating	BOTH	BOTH	BOTH	BOTH	BOTH	BOTH	BOTH
Easy Instalation System	√	√	√	√	√	√	√
Electric Connection							
Total Rush Power (W)	287	143	138	138	138	138	287
Rated Voltage (V)	220-240	220-240	220-240	220-240	220-240	220-240	220-240
Network Frequency (Hz)	50	50-60	50	50	50	50	50
Electrical Insulation Class	CLASS II	CLASS I	CLASS I	CLASS I	CLASS I	CLASS I	CLASS II
Plug	EU - 2 pins	-	-	-	-	-	EU - 2 pins
Accessories							
Upper Decorative tube Extension	-	02861303	02861303	02861303	2859318	2859318	02861303
White Decorative Tube	-	-	-	-	-	-	-
Black Decorative Tube	-	02861403	02861403	02861403	02861403	02861403	02861403
Island Tube Enhancer	-	-	-	-	-	-	-
Check Valve	02832004	02832008	02832008	02832008	02832008	02832008	02832004
MAX PRO Metal Filter	-	-	-	-	-	-	-
Metal Filter	02800300*	02800905/02800904*	02800905/02800904*	02800905+02800904	02800905+02800904	02800905+02800904	02800930+02800904
DUAL Filter (metal + active charcoal)	-	02800918+02800938	02800918+02800938	02800918+02800938	02800918+02800938	02800918+02800938	02800922+02800938
Active Charcoal Filter	02859398	02859318	02859318+02800938	02859318+02800938	02859318+02800938	02859318+02800938	02859398
Noiseless Flexible Duct	02893002	02893002	02893002	02893002	02893002	02893002	02893002
Top outlet motor cover							
FCA kit without duct cover							

02145407	02133407	02184007	02145007	02133007	02145203	02131407	02139407	02138407	02137407	02136407
8422248106160	8422248106191	8422248106153	8422248106184	8422248106207	8422248106177	8422248356329	8422248356282	8422248356299	8422248356305	8422248356312
GRECO 80 BK CATA&ROCA	GRECO 70 BK CATA&ROCA	GRECO 90 WH CATA&ROCA	GRECO 80 WH CATA&ROCA	GRECO 70 WH CATA&ROCA	GRECO 80 GR CATA&ROCA	THALASSA PRO 1200GBK	THALASSA PRO 900GBK	THALASSA PRO 800GBK	THALASSA PRO 700GBK	THALASSA PRO 600GBK
Vertical	Vertical	Vertical	Vertical	Vertical	Vertical	Vertical	Vertical	Vertical	Vertical	Vertical
56,3	56,3	56,3	56,3	56,3	56,3	16,8	16,8	16,8	16,8	16,8
A	A	A	A	A	A	A+++	A+++	A+++	A+++	A+++
30,6	30,6	30,6	30,6	30,6	30,6	40,3	40,3	40,3	40,3	40,3
A	A	A	A	A	A	A	A	A	A	A
28,7	28,7	28,7	28,7	28,7	28,7	23,7	23,7	23,7	23,7	23,7
A	A	A	A	A	A	B	B	B	B	B
91,2	91,2	91,2	91,2	91,2	91,2	75,5	75,5	75,5	75,5	75,5
B	B	B	B	B	B	C	C	C	C	C
340	340	340	340	340	340	283	283	283	283	283
600	600	600	600	600	600	640,5	640,5	640,5	640,5	640,5
850	850	850	850	850	850	842	842	842	842	842
50	50	50	50	50	50	46	46	46	46	46
65	65	65	65	65	65	64	64	64	64	64
67	67	67	67	67	67	69	69	69	69	69
0,43	0,43	0,43	0,43	0,43	0,43	0,35	0,35	0,35	0,35	0,35
0	0	0	0	0	0	-	-	-	-	-
0,9	0,9	0,9	0,9	0,9	0,9	0,5	0,5	0,5	0,5	0,5
53,7	53,7	53,7	53,7	53,7	53,7	27,5	27,5	27,5	27,5	27,5
416,9	416,9	416,9	416,9	416,9	416,9	369,6	369,6	369,6	369,6	369,6
411	411	411	411	411	411	314	314	314	314	314
155,7	155,7	155,7	155,7	155,7	155,7	80	80	80	80	80
7	7	7	7	7	7	3	3	3	3	3
201	201	201	201	201	201	71	71	71	71	71
800	700	900	800	700	800	1200	900	800	700	600
300	300	300	300	300	300	375	375	375	375	375
1070	1070	1070	1070	1070	1070	1130	1130	1130	1130	1130
755	755	755	755	755	755	815	815	815	815	815
150/125	150/125	150/125	150/125	150/125	150/125	150/125	150/125	150/125	150/125	150/125
BT3	BT3	BT3	BT3	BT3	BT3	BT4DC	BT4DC	BT4DC	BT4DC	BT4DC
3+1	3+1	3+1	3+1	3+1	3+1	5+1	5+1	5+1	5+1	5+1
280	280	280	280	280	280	135	135	135	135	135
450	450	450	450	450	450	357	357	357	357	357
470	470	470	470	470	470	365	365	365	365	365
TC4i	TC4i	TC4i	TC4i	TC4i	TC4i	TCD6i	TCD6i	TCD6i	TCD6i	TCD6i
v	v	v	v	v	v	v	v	v	v	v
v	v	v	v	v	v	v	v	v	v	v
Metallic	Metallic	Metallic	Metallic	Metallic	Metallic	Metallic	Metallic	Metallic	Metallic	Metallic
1+1	1+1	1+1	1+1	1+1	1+1	1+1	1+1	1+1	1+1	1+1
-	-	-	-	-	-	-	-	-	-	-
EcoLed	EcoLed	EcoLed	EcoLed	EcoLed	EcoLed	SS Led	SS Led	SS Led	SS Led	SS Led
v	v	v	v	v	v	v	v	v	v	v
2	2	2	2	2	2	1	1	1	1	1
530	530	530	530	530	530	450	450	450	450	450
650	650	650	650	650	650	650	650	650	650	650
BOTH	BOTH	BOTH	BOTH	BOTH	BOTH	BOTH	BOTH	BOTH	BOTH	BOTH
v	v	v	v	v	v	v	v	v	v	v
287	287	287	287	287	287	138	138	138	138	138
220-240	220-240	220-240	220-240	220-240	220-240	220-240	220-240	220-240	220-240	220-240
50	50	50	50	50	50	50-60	50-60	50-60	50-60	50-60
CLASS II	CLASS II	CLASS II	CLASS II	CLASS II	CLASS II	CLASS I	CLASS I	CLASS I	CLASS I	CLASS I
EU - 2 pins	EU - 2 pins	EU - 2 pins	EU - 2 pins	EU - 2 pins	EU - 2 pins	-	-	-	-	-
02861303	02861303	02861303	02861303	02861303	02861303	02861300	02861300	02861300	02861300	02861300
-	-	02861003	02861003	02861003	-	02861001	02861001	02861001	02861001	02861001
02861403	02861403	-	-	-	02861403	02861401	02861401	02861401	02861401	02861401
-	-	-	-	-	-	-	-	-	-	-
02832004	02832004	02832004	02832004	02832004	02832004	02832004	02832004	02832004	02832004	02832004
-	-	-	-	-	-	-	-	-	-	-
02800930+02800904	02800930+02800904	02800930+02800904	02800930+02800904	02800930+02800904	02800930+02800904	02800930 / 02800925	02800930 / 02800925	02800930 / 02800925	02800930 / 02800925	02800930 / 02800925
02800922+02800938	02800922+02800938	02800922+02800938	02800922+02800938	02800922+02800938	02800922+02800938	02800922 / 02800927	02800922 / 02800927	02800922 / 02800927	02800922 / 02800927	02800922 / 02800927
02859398	02859398	02859398	02859398	02859398	02859398	02859318	02859318	02859318	02859318	02859318
02893002	02893002	02893002	02893002	02893002	02893002	02893002	02893002	02893002	02893002	02893002
						02800014	02800014	02800014	02800014	02800014
						02800013	02800013	02800013	02800013	02800013

Code	02139007	02138007	02137007	02136007	02139507	02138507	02139406
EAN	8422248356336	8422248356343	8422248356350	8422248356367	8422248356374	8422248356381	8422248356220
Model	THALASSA PRO 900GWH	THALASSA PRO 800GWH	THALASSA PRO 700GWH	THALASSA PRO 600GWH	THALASSA PRO 900GR	THALASSA PRO 800GR	THALASSA 900GBK/G
Type	Vertical	Vertical	Vertical	Vertical	Vertical	Vertical	Vertical
Product fiche according to directives EU65/2014 - EN61591, EN60704-2-13, EN50564							
AEC (Annual Energy consumption) (kWh/annum)	16,8	16,8	16,8	16,8	16,8	16,8	58,6
EI class (Energy Efficiency Class)	A+++	A+++	A+++	A+++	A+++	A+++	A
FDE (Fluid Dynamic Efficiency)	40,3	40,3	40,3	40,3	40,3	40,3	29,4
FDE class (Fluid Dynamic Efficiency Class)	A	A	A	A	A	A	A
LE (Lighting Efficiency) (lux/W)	23,7	23,7	23,7	23,7	23,7	23,7	23,7
LE class (Lighting Efficiency Class)	B	B	B	B	B	B	B
GFE (Grease Filtering Efficiency)	75,5	75,5	75,5	75,5	75,5	75,5	75,5
GFE Class (Grease Filtering Efficiency class)	C	C	C	C	C	C	C
Air flow at minimum speed (m³/h)	283	283	283	283	283	283	346
Air flow at maximum speed (m³/h)	640,5	640,5	640,5	640,5	640,5	640,5	600
Air flow at intensive speed (TURBO) (m³/h)	842	842	842	842	842	842	811
Sound Power Level at minimum speed (dB)	46	46	46	46	46	46	50
Sound Power Level at maximum speed (dB)	64	64	64	64	64	64	65
Sound Power Level at intensive speed (TURBO) (dB)	69	69	69	69	69	69	67
Po (Power Consumption in off mode) (W)	0,35	0,35	0,35	0,35	0,35	0,35	0,43
Ps (Power Consumption in standby) (W)	-	-	-	-	-	-	-
Integration directive EU 66/2014							
f (Time Increase Factor)	0,5	0,5	0,5	0,5	0,5	0,5	0,9
EI (Energy Efficiency Index)	27,5	27,5	27,5	27,5	27,5	27,5	52,7
QBEP (Flow Rate at Best Efficiency Point) (m³/h)	369,6	369,6	369,6	369,6	369,6	369,6	457,2
PBEP (Static Pressure Difference at Best Efficiency Point) (Pa)	314	314	314	314	314	314	397
WBEP (Electric Power Input at Best Efficiency Point) (W)	80	80	80	80	80	80	171,6
WL (Nominal Power Consumption of Lighting system) (W)	3	3	3	3	3	3	3
EMIDDLE (Average Illumination of Lighting system on Cooking surface) (lux)	71	71	71	71	71	71	71
External Dimensions							
Width (mm)	900	800	700	600	900	800	900
Depth (mm)	375	375	375	375	375	375	375
Total max height(mm)	1130	1130	1130	1130	1130	1130	1130
Total min height(mm)	815	815	815	815	815	815	815
Outlet Diameter (mm)	150/125	150/125	150/125	150/125	150/125	150/125	150
Characteristics							
Motor	BT4DC	BT4DC	BT4DC	BT4DC	BT4DC	BT4DC	BT3
Extraction Levels	5+1	5+1	5+1	5+1	5+1	5+1	3+1
Motor Maximum Power Consumption	135	135	135	135	135	135	280
Maximum Pressure	357	357	357	357	357	357	450
Intensive Speed (TURBO) Pressure	365	365	365	365	365	365	470
Control Type	TCD6i	TCD6i	TCD6i	TCD6i	TCD6i	TCD6i	SDX6i
Automatic shut-down timer	√	√	√	√	√	√	√
Electronic Filter Saturation Indicator	√	√	√	√	√	√	√
Filter Type	Metallic	Metallic	Metallic	Metallic	Metallic	Metallic	Metallic
Anti-grease Filter Number	1+1	1+1	1+1	1+1	1+1	1+1	1+1
Inner Shield	-	-	-	-	-	-	-
Lighting							
Light Type	SS Led	SS Led	SS Led	SS Led	SS Led	SS Led	SS Led
Adjustable Intensity Lighting	√	√	√	√	√	√	√
N° of Lamps	1	1	1	1	1	1	1
Installation							
Minimum height distance to a electric worktop hob (mm)	450	450	450	450	450	450	450
Minimum height distance to a gas worktop hob (mm)	650	650	650	650	650	650	650
Installation with Outlet tube to the exterior / Recirculating	BOTH	BOTH	BOTH	BOTH	BOTH	BOTH	BOTH
Easy Installation System	√	√	√	√	√	√	√
Electric Connection							
Total Rush Power (W)	138	138	138	138	138	138	283
Rated Voltage (V)	220-240	220-240	220-240	220-240	220-240	220-240	220-240
Network Frequency (Hz)	50-60	50-60	50-60	50-60	50-60	50-60	50-60
Electrical Insulation Class	CLASS I	CLASS I	CLASS I	CLASS I	CLASS I	CLASS I	CLASE II
Plug	-	-	-	-	-	-	-
Accessories							
Upper Decorative tube Extension	02861300	02861300	02861300	02861300	02861300	02861300	02861300
White Decorative Tube	02861001	02861001	02861001	02861001	02861001	02861001	02861001
Black Decorative Tube	02861401	02861401	02861401	02861401	02861401	02861401	02861401
Island Tube Enhancer	-	-	-	-	-	-	-
Check Valve	02832004	02832004	02832004	02832004	02832004	02832004	02832004
MAX PRO Metal Filter	-	-	-	-	-	-	-
Metal Filter	02800930 / 02800925	02800930 / 02800925	02800930 / 02800925	02800930 / 02800925	02800930 / 02800925	02800930 / 02800925	02800930 / 02800925
DUAL Filter (metal + active charcoal)	02800922 / 02800927	02800922 / 02800927	02800922 / 02800927	02800922 / 02800927	02800922 / 02800927	02800922 / 02800927	02800922 / 02800927
Active Charcoal Filter	02859318	02859318	02859318	02859318	02859318	02859318	02859398
Noiseless Flexible Duct	02893002	02893002	02893002	02893002	02893002	02893002	02893002
Top outlet motor cover	02800014	02800014	02800014	02800014	02800014	02800014	02800014
FCA kit without duct cover	02800013	02800013	02800013	02800013	02800013	02800013	02800013

02137406	02136406	02139006	02137006	02136006	02059701	02078701	02027701	02059801	02078801	02027801
8422248356237	8422248356244	8422248356251	8422248356268	8422248356275	8422248355643	8422248355636	8422248355629	8422248355674	8422248355667	8422248355650
THALASSA 700GBK/G	THALASSA 600GBK/G	THALASSA 900GWH/G	THALASSA 700GWH/G	THALASSA 600GWH/G	JUNO+ 9000 GBK	JUNO+ 7000 GBK	JUNO+ 6000 GBK	JUNO+ 9000 GWH	JUNO+ 7000 GWH	JUNO+ 6000 GWH
Vertical	Vertical	Vertical	Vertical	Vertical	Vertical	Vertical	Vertical	Vertical	Vertical	Vertical
58,6	58,6	58,6	58,6	58,6	23,1	23,1	23,1	23,1	23,1	23,1
A	A	A	A	A	A+	A+	A+	A+	A+	A+
29,4	29,4	29,4	29,4	29,4	33,5	33,5	33,5	33,5	33,5	33,5
A	A	A	A	A	A	A	A	A	A	A
23,7	23,7	23,7	23,7	23,7	22,6	22,6	22,6	22,6	22,6	22,6
B	B	B	B	B	B	B	B	B	B	B
75,5	75,5	75,5	75,5	75,5	60,9	60,9	60,9	60,9	60,9	60,9
C	C	C	C	C	C	C	C	C	C	C
346	346	346	346	346	170	170	170	170	170	170
600	600	600	600	600	385	385	385	385	385	385
811	811	811	811	811	562	562	562	562	562	562
50	50	50	50	50	44	44	44	44	44	44
65	65	65	65	65	61	61	61	61	61	61
67	67	67	67	67	69	69	69	69	69	69
0,43	0,43	0,43	0,43	0,43	0,27	0,27	0,27	0,27	0,27	0,27
-	-	-	-	-	0	0	0	0	0	0
0,9	0,9	0,9	0,9	0,9	0,9	0,9	0,9	0,9	0,9	0,9
52,7	52,7	52,7	52,7	52,7	38,8	38,8	38,8	38,8	38,8	38,8
457,2	457,2	457,2	457,2	457,2	258	258	258	258	258	258
397	397	397	397	397	284	284	284	284	284	284
171,6	171,6	171,6	171,6	171,6	62,6	62,6	62,6	62,6	62,6	62,6
3	3	3	3	3	5	5	5	5	5	5
71	71	71	71	71	22,6	22,6	22,6	22,6	22,6	22,6
700	600	900	700	600	900	700	600	900	700	600
375	375	375	375	375	400	400	400	400	400	400
1130	1130	1130	1130	1130	1000	1000	1000	1000	1000	1000
815	815	815	815	815	820	820	820	820	820	820
150	150	150	150	150	150	150	150	150	150	150
BT3	BT3	BT3	BT3	BT3	T1DC	T1DC	T1DC	T1DC	T1DC	T1DC
3+1	3+1	3+1	3+1	3+1	5+1	5+1	5+1	5+1	5+1	5+1
280	280	280	280	280	110	110	110	110	110	110
450	450	450	450	450	250	250	250	250	250	250
470	470	470	470	470	315	315	315	315	315	315
SDX6i	SDX6i	SDX6i	SDX6i	SDX6i	TCD6i	TCD6i	TCD6i	TCD6i	TCD6i	TCD6i
v	v	v	v	v	v	v	v	v	v	v
v	v	v	v	v	v	v	v	v	v	v
Metallic	Metallic	Metallic	Metallic	Metallic	Metallic	Metallic	Metallic	Metallic	Metallic	Metallic
1+1	1+1	1+1	1+1	1+1	1+1	1+1	1+1	1+1	1+1	1+1
-	-	-	-	-	-	-	-	-	-	-
SS Led	SS Led	SS Led	SS Led	SS Led	SS Led	SS Led	SS Led	SS Led	SS Led	SS Led
v	v	v	v	v	v	v	v	v	v	v
1	1	1	1	1	1	1	1	1	1	1
450	450	450	450	450	400	400	400	400	400	400
650	650	650	650	650	650	650	650	650	650	650
BOTH	BOTH	BOTH	BOTH	BOTH	BOTH	BOTH	BOTH	BOTH	BOTH	BOTH
v	v	v	v	v	v	v	v	v	v	v
283	283	283	283	283	95	95	95	95	95	95
220-240	220-240	220-240	220-240	220-240	220-240	220-240	220-240	220-240	220-240	220-240
50-60	50-60	50-60	50-60	50-60	50/60Hz	50/60Hz	50/60Hz	50/60Hz	50/60Hz	50/60Hz
CLASE II	CLASE II	CLASE II	CLASE II	CLASE II	CLASS I	CLASS I	CLASS I	CLASS I	CLASS I	CLASS I
-	-	-	-	-	-	-	-	-	-	-
02861300	02861300	02861300	02861300	02861300	-	-	-	-	-	-
02861001	02861001	02861001	02861001	02861001	-	-	-	-	-	-
02861401	02861401	02861401	02861401	02861401	-	-	-	-	-	-
-	-	-	-	-	-	-	-	-	-	-
02832004	02832004	02832004	02832004	02832004	02832004	02832004	02832004	02832004	02832004	02832004
-	-	-	-	-	-	-	-	-	-	-
02800930 / 02800925	02800930 / 02800925	02800930 / 02800925	02800930 / 02800925	02800930 / 02800925	02800915-02800949	02800915-02800949	02800915-02800949	02800915-02800949	02800915-02800949	02800915-02800949
02800922 / 02800927	02800922 / 02800927	02800922 / 02800927	02800922 / 02800927	02800922 / 02800927	02800921 / 02800927	02800921 / 02800927	02800921 / 02800927	02800921 / 02800927	02800921 / 02800927	02800921 / 02800927
02859398	02859398	02859398	02859398	02859398	02859394	02859394	02859394	02859394	02859394	02859394
02893002	02893002	02893002	02893002	02893002	02893002	02893002	02893002	02893002	02893002	02893002
02800014	02800014	02800014	02800014	02800014	-	-	-	-	-	-
02800013	02800013	02800013	02800013	02800013	-	-	-	-	-	-

Code	02059700	02078700	02027700	02012610	02059405	02078405	02027210	02059010
EAN	8422248355612	8422248355605	8422248355599	8422248360395	8422248102308	8422248102315	8422248102322	8422248102339
Model	JUNO 9000 GBK	JUNO 7000 GBK	JUNO 6000 GBK	HESTIA 600 GBK	WANDA 900 XGBK	WANDA 700 XGBK	WANDA 600 XGBK	WANDA 900 XGWH
Type	Vertical	Vertical	Vertical	Vertical	Vertical	Vertical	Vertical	Vertical
Product fiche according to directives EU65/2014 - EN61591, EN60704-2-13, EN50564								
AEC (Annual Energy consumption) (kWh/annum)	45,9	45,9	45,9	31,8	11,1	11,1	11,1	11,1
EEL class (Energy Efficiency Class)	A+	A+	A+	B	A++	A++	A++	A++
FDE (Fluid Dynamic Efficiency)	27,6	27,6	27,6	19,3	29,5	29,5	29,5	29,5
FDE class (Fluid Dynamic Efficiency Class)	A	A	A	C	A	A	A	A
LE (Lighting Efficiency) (lux/W)	32	32	32	82,6	29,3	29,3	29,3	29,3
LE class (Lighting Efficiency Class)	A	A	A	A	A	A	A	A
GFE (Grease Filtering Efficiency)	67,9	67,9	67,9	62,5	76,1	76,1	76,1	76,1
GFE Class (Grease Filtering Efficiency class)	D	D	D	E	C	C	C	C
Air flow at minimum speed (m ³ /h)	170	170	170	191,7	207,2	207,2	207,2	207,2
Air flow at maximum speed (m ³ /h)	387,5	387,5	387,5	357,7	525,1	525,1	525,1	525,1
Air flow at intensive speed (TURBO) (m ³ /h)	428	428	428	-	-	-	-	-
Sound Power Level at minimum speed (dB)	50	50	50	51	39	39	39	39
Sound Power Level at maximum speed (dB)	64	64	64	67	59	59	59	59
Sound Power Level at intensive speed (TURBO) (dB)	70	70	70	-	-	-	-	-
Po (Power Consumption in off mode) (W)	0,46	0,46	0,46	0	0,44	0,44	0,44	0,44
Ps (Power Consumption in standby) (W)	0	0	0	0	-	-	-	-
Integration directive EU 66/2014								
f (Time Increase Factor)	0,9	0,9	0,9	1,3	0,9	0,883	0,883	0,883
EEL (Energy Efficiency Index)	40,2	40,2	40,2	62,2	34,9	38,6	38,6	38,6
QBEP (Flow Rate at Best Efficiency Point) (m ³ /h)	213	213	213	230,7	222,5	248,01	248,01	248,01
PBEP (Static Pressure Difference at Best Efficiency Point) (Pa)	261	261	261	186	129	178,05	178,05	178,05
WBEP (Electric Power Input at Best Efficiency Point) (W)	60,3	60,3	60,3	61,5	27	39,55	39,55	39,55
WL (Nominal Power Consumption of Lighting system) (W)	3	3	3	3,5	3	3	3	3
EMIDDLE (Average Illumination of Lighting system on Cooking surface) (lux)	161	161	161	289	88	163,8	163,8	163,8
External Dimensions								
Width (mm)	900	700	600	598	895	695	595	895
Depth (mm)	370	370	370	340	358	358	358	358
Total max height(mm)	1000	1000	1000	1055	1122	1122	1122	1122
Total min height(mm)	820	820	820	825	772	772	772	772
Outlet Diameter (mm)	150	150	150	120	150	150	150	150
Characteristics								
Motor	EY450	EY450	EY450	K9C	BLDC	BLDC	BLDC	BLDC
Extraction Levels	5+1	5+1	5+1	3	5+1	5+1	5+1	5+1
Motor Maximum Power Consumption	70	70	70	50	70	70	70	70
Maximum Pressure	230	230	230	206	430	430	430	430
Intensive Speed (TURBO) Pressure	270	270	270	-	-	-	-	-
Control Type	TCD6i	TCD6i	TCD6i	Mechanic	T02	T02	T02	T02
Automatic shut-down timer	√	√	√	-	√	√	√	√
Electronic Filter Saturation Indicator	√	√	√	-	-	-	-	-
Filter Type	Metallic	Metallic	Metallic	Metallic	Metallic	Metallic	Metallic	Metallic
Anti-grease Filter Number	1	1	1	1	1	1	1	1
Inner Shield	-	-	-	-	-	-	-	-
Lighting								
Light Type	CSLED	CSLED	CSLED	CSLED	LED	LED	LED	LED
Adjustable Intensity Lighting	√	√	√	-	-	-	-	-
N° of Lamps	1	1	1	1	2	2	2	2
Installation								
Minimum height distance to a electric worktop hob (mm)	400	400	400	590	650	650	650	650
Minimum height distance to a gas worktop hob (mm)	650	650	650	650	650	650	650	650
Installation with Outlet tube to the exterior / Recirculating	BOTH	BOTH	BOTH	BOTH	BOTH	BOTH	BOTH	BOTH
Easy Installation System	√	√	√	√	√	√	√	√
Electric Connection								
Total Rush Power (W)	73	73	73	53	73	73	73	73
Rated Voltage (V)	220-240	220-240	220-240	220-240	220-240	220-240	220-240	220-240
Network Frequency (Hz)	50/60Hz	50/60Hz	50/60Hz	50/60Hz	50 / 60	50 / 60	50 / 60	50 / 60
Electrical Insulation Class	CLASS I	CLASS I	CLASS I	CLASS I	CLASS I	CLASS I	CLASS I	CLASS I
Plug	-	-	-	-	√	√	√	√
Accessories								
Upper Decorative tube Extension	-	-	-	-	02861300	02861300	02861300	02861300
White Decorative Tube	-	-	-	-	-	-	-	-
Black Decorative Tube	-	-	-	-	02861401	02861401	02861401	02861401
Island Tube Enhancer	-	-	-	-	-	-	-	-
Check Valve	-	-	-	-	-	-	-	-
MAX PRO Metal Filter	-	-	-	-	-	-	-	-
Metal Filter	02800915	02800915	02800915	-	02800963	02800963	02800963	02800963
DUAL Filter (metal + active charcoal)	02800921	02800921	02800921	-	-	-	-	-
Active Charcoal Filter	02859488	02859488	02859488	-	02859492	02859492	02859492	02859492
Noiseless Flexible Duct	02893002	02893002	02893002	02893002	02893002	02893002	02893002	02893002

02078006	02027012	02059403	02032205	02032206	02059011	02032005	02032006	02029207	02021202	02060208	02029305	02021306
8422248102346	8422248102353	8422248108089	8422248102292	8422248102377	8422248346559	8422248102285	8422248102360	8422248101493	8422248101509	8422248102544	8422248068635	8422248068659
WANDA 700 XGWH	WANDA 600 XGWH	LENA 900 XGBK	LENA 600 XGBK	LENA 500 XGBK	LENA 900 GWH	LENA 600 XGWH	LENA 500 XGWH	LEGEND 900 XGBK	LEGEND 7000 XGBK	LEGEND 6000 XGBK	LEGEND 900 X	LEGEND 700 X
Vertical	Vertical	Vertical	Vertical	Vertical	Vertical	Vertical	Vertical	Box	Box	Box	Box	Box
11,1	11,1	43,57	43,57	43,57	43,57	43,57	43,57	9,9	10,8	9,9	42,1	42,1
A++	A++	B	B	B	B	B	B	A++	A++	A++	A	A
29,5	29,5	22,94	22,94	22,94	22,94	22,94	22,94	31,2	31,1	31,2	31,7	31,7
A	A	C	C	C	C	C	C	A	A	A	A	A
29,3	29,3	43,6	43,6	43,6	43,6	43,6	43,6	28,5	30	28,5	36	36
A	A	A	A	A	A	A	A	A	A	A	A	A
76,1	76,1	82,6	82,6	82,6	82,6	82,6	82,6	76,4	77,3	76,4	78,5	78,5
C	C	C	C	C	C	C	C	C	C	C	C	C
207,2	207,2	310	311,71	311,71	310	311,71	311,71	236,1	239,8	236,1	200	200
525,1	525,1	498,46	498,46	498,46	498,46	498,46	498,46	638,8	637,4	638,8	524	524
-	-	-	-	-	-	-	-	-	-	-	648	648
39	39	44,1	44,1	44,1	44,1	44,1	44,1	44	42	44	40	40
59	59	62,8	62,8	62,8	62,8	62,8	62,8	65	63	65	64	64
-	-	-	-	-	-	-	-	-	-	-	67	67
0,44	0,44	-	-	-	-	-	-	0,44	0,44	0,44	0,41	0,41
-	-	0,34	0,34	0,34	0,34	0,34	0,34	-	-	-	0	0
0,883	0,883	1,17	1,17	1,17	1,17	1,17	1,17	0,9	0,9	0,9	0,8	0,8
38,6	38,6	62,2	62,2	62,2	62,2	62,2	62,2	32,5	32	32,5	44,8	44,8
248,01	248,01	264,09	264,09	264,09	264,09	264,09	264,09	203,4	236,5	203,4	390,3	390,3
178,05	178,05	301,94	301,94	301,94	301,94	301,94	301,94	142	134	142	329	329
39,55	39,55	95,56	95,56	95,56	95,56	95,56	95,56	25,7	28,3	25,7	112,6	112,6
3	3	3	3	3	3	3	3	2	2	2	7	7
163,8	163,8	130,8	130,8	130,8	130,8	130,8	130,8	57	60	57	252	252
695	595	895	595	495	895	595	495	895	695	595	900	700
358	358	385	385	385	385	385	385	500	500	500	505	505
1122	1122	1092	1092	1092	1092	1092	1092	998	998	998	1035	1035
772	772	742	742	742	742	742	742	548	548	548	635	635
150	150	150	150	150	150	150	150	150	150	150	150	150
BLDC	BLDC	TT500	TT500	TT500	TT500	TT500	TT500	BLDC600	BLDC600	BLDC600	BTDCA	BTDCA
5+1	5+1	5+1	5+1	5+1	5+1	5+1	5+1	5+1	5+1	5+1	5+1	5+1
70	70	120	120	120	120	120	120	70	70	70	130	130
430	430	380	380	380	380	380	380	220	220	220	455	455
-	-	-	-	-	-	-	-	-	-	-	470	470
T02	T02	T02	T02	T02	T02	T02	T02	T02	T02	T02	NL5i	NL5i
√	√	√	√	√	√	√	√	√	√	√	√	√
-	-	-	-	-	-	-	-	-	-	-	√	√
Metallic	Metallic	Metallic	Metallic	Metallic	Metallic	Metallic	Metallic	Metallic	Metallic	Metallic	Metallic	Metallic
1	1	1	1	1	1	1	1	3	2	2	3	2
-	-	-	-	-	-	-	-	-	-	-	-	-
LED	LED	LED	LED	LED	LED	LED	LED	CSLED	CSLED	CSLED	EcoLed	EcoLed
-	-	-	-	-	-	-	-	-	-	-	√	√
2	2	2	2	2	2	2	2	1	1	1	2	2
650	650	650	650	650	650	650	650	650	650	650	650	650
650	650	650	650	650	650	650	650	650	650	650	650	650
BOTH	BOTH	BOTH	BOTH	BOTH	BOTH	BOTH	BOTH	BOTH	BOTH	BOTH	BOTH	BOTH
√	√	√	√	√	√	√	√	√	√	√	√	√
73	73	123	123	123	123	123	123	72	72	72	137	137
220-240	220-240	220-240	220-240	220-240	220-240	220-240	220-240	220-240	220-240	220-240	220-240	220-240
50 / 60	50 / 60	50 / 60	50 / 60	50 / 60	50 / 60	50 / 60	50 / 60	50-60	50-60	50-60	50	50
CLASS I	CLASS I	CLASS I	CLASS I	CLASS I	CLASS I	CLASS I	CLASS I	CLASS I	CLASS I	CLASS I	CLASS II	CLASS II
√	√	√	√	√	√	√	√	√	√	√	EU - 2 pins	EU - 2 pins
02861300	02861300	02861300	02861300	02861300	02861300	02861300	02861300	-	-	02861300	02861300	02861300
-	-	-	-	-	-	-	-	-	-	-	-	-
02861401	02861401	02861401	02861401	02861401	02861401	02861401	02861401	-	-	02861401	02861401	02861401
-	-	-	-	-	-	-	-	-	-	-	-	-
-	-	-	-	-	-	-	-	-	-	-	02832004	02832004
-	-	-	-	-	-	-	-	-	-	-	02800917	02800917
02800963	02800963	02800963	02800963	02800963	02800963	02800963	02800963	02800974	02800973	02800975	02800200	02800200
-	-	-	-	-	-	-	-	-	-	-	-	-
02859492	02859492	02859492	02859492	02859492	02859492	02859492	02859492	02859492	02859492	02859492	02859398	02859398
02893002	02893002	02893002	02893002	02893002	02893002	02893002	02893002	02893002	02893002	02893002	02893002	02893002

Code	02132305	02075305	02021310	02060310	02075401	02021400	02060400	02029602
EAN	8422248073035	8422248110051	8422248110068	8422248110075	8422248110082	8422248357272	8422248357289	8422248093422
Model	SYGMA 12010 X	SYGMA 9010 X	SYGMA 7010 X	SYGMA 6010 X	SYGMA 9010 BK	SYGMA 7010 BK	SYGMA 6010 BK	S PLUS 9010 X
Type	Box	Box	Box	Box	Box	Box	Box	Box
Product fiche according to directives EU65/2014 - EN61591, EN60704-2-13, EN50564								
AEC (Annual Energy consumption) (kWh/annum)	53,6	53,6	53,6	53,6	53,6	53,6	53,6	100,9
EEL class (Energy Efficiency Class)	A	A	A	A	A	A	A	C
FDE (Fluid Dynamic Efficiency)	30,7	30,7	30,7	30,7	30,7	30,7	30,7	16,3
FDE class (Fluid Dynamic Efficiency Class)	A	A	A	A	A	A	A	D
LE (Lighting Efficiency) (lux/W)	23,1	23,1	23,1	23,1	23,1	23,1	23,1	22,5
LE class (Lighting Efficiency Class)	B	B	B	B	B	B	B	B
GFE (Grease Filtering Efficiency)	91,2	91,2	91,2	91,2	91,2	91,2	91,2	88,5
GFE Class (Grease Filtering Efficiency class)	B	B	B	B	B	B	B	B
Air flow at minimum speed (m³/h)	340	340	340	340	340	340	340	361
Air flow at maximum speed (m³/h)	600	600	600	600	600	600	600	637
Air flow at intensive speed (TURBO) (m³/h)	802	802	802	802	802	802	802	-
Sound Power Level at minimum speed (dB)	50	50	50	50	50	50	50	69
Sound Power Level at maximum speed (dB)	65	65	65	65	65	65	65	74
Sound Power Level at intensive speed (TURBO) (dB)	67	67	67	67	67	67	67	-
Po (Power Consumption in off mode) (W)	0,48	0,48	0,48	0,48	0,48	0,48	0,48	0
Ps (Power Consumption in standby) (W)	0,48	0,48	0,48	0,48	0,48	0,48	0,48	-
Integration directive EU 66/2014								
f (Time Increase Factor)	0,9	0,9	0,9	0,9	0,9	0,9	0,9	1,4
EEL (Energy Efficiency Index)	52,1	52,1	52,1	52,1	52,1	52,1	52,1	82,4
QBEP (Flow Rate at Best Efficiency Point) (m³/h)	443,1	443,1	443,1	443,1	443,1	443,1	443,1	375,3
PBEP (Static Pressure Difference at Best Efficiency Point) (Pa)	427,1	427,1	427,1	427,1	427,1	427,1	427,1	295
WBEP (Electric Power Input at Best Efficiency Point) (W)	171	171	171	171	171	171	171	188,8
WL (Nominal Power Consumption of Lighting system) (W)	3	3	3	3	3	3	3	6
EMIDDLE (Average Illumination of Lighting system on Cooking surface) (lux)	69	69	69	69	69	69	69	135
External Dimensions								
Width (mm)	1200	900	700	600	900	700	600	900
Depth (mm)	496	495	495	495	495	495	495	500
Total max height(mm)	1045	990	990	990	990	990	990	1045
Total min height(mm)	730	745	745	745	745	745	745	745
Outlet Diameter (mm)	150	150	150	150	150	150	150	150
Characteristics								
Motor	BT3	BT3	BT3	BT3	BT3	BT3	BT3	M3R
Extraction Levels	5+1	5+1	5+1	5+1	5+1	5+1	5+1	5+1
Motor Maximum Power Consumption	280	280	280	280	280	280	280	270
Maximum Pressure	450	450	450	450	450	450	450	430
Intensive Speed (TURBO) Pressure	470	470	470	470	470	470	470	-
Control Type	SX4i	SX4i	SX4i	SX4i	SX4i	SX4i	SX4i	Mechanic
Automatic shut-down timer	√	√	√	√	√	√	√	-
Electronic Filter Saturation Indicator	√	√	√	√	√	√	√	-
Filter Type	Decorative stainless steel	Decorative s. steel	Decorative s. steel	Decorative s. steel	Decorative s. steel	Decorative s. steel	Decorative s. steel	Metallic
Anti-grease Filter Number	4	3	2	2	3	2	2	3
Inner Shield	-	-	-	-	-	-	-	-
Lighting								
Light Type	SS Led	SS Led	SS Led	SS Led	SS Led	SS Led	SS Led	CSLED
Adjustable Intensity Lighting	√	√	√	√	√	√	√	-
N° of Lamps	1	1	1	1	1	1	1	2
Installation								
Minimum height distance to a electric worktop hob (mm)	650	650	650	650	650	650	650	650
Minimum height distance to a gas worktop hob (mm)	650	650	650	650	650	650	650	650
Installation with Outlet tube to the exterior / Recirculating	BOTH	BOTH	BOTH	BOTH	BOTH	BOTH	BOTH	BOTH
Easy Installation System	√	√	√	√	√	√	√	√
Electric Connection								
Total Rush Power (W)	283	283	283	283	283	283	283	277
Rated Voltage (V)	220-240	220-240	220-240	220-240	220-240	220-240	220-240	220-240
Network Frequency (Hz)	50	50	50	50	50	50	50	50
Electrical Insulation Class	CLASS II	CLASS II	CLASS II	CLASS II	CLASS II	CLASS II	CLASS II	CLASS II
Plug	-	-	-	-	-	-	-	-
Accessories								
Upper Decorative tube Extension	02861300	02861300	02861300	02861300	02861300	02861300	02861300	02861300
White Decorative Tube	-	-	-	-	-	-	-	-
Black Decorative Tube	02861401	02861401	02861401	02861401	02861401	02861401	02861401	02861401
Island Tube Enhancer	-	-	-	-	-	-	-	-
Check Valve	02832004	02832004	02832004	02832004	02832004	02832004	02832004	02832001
MAX PRO Metal Filter								
Metal Filter	02800930	02861301	02861301	02861301	02861301	02861301	02861301	02861301
DUAL Filter (metal + active charcoal)	02800922	02800922	02800922	02800922	02800922	02800922	02800922	02800922
Active Charcoal Filter	02859398	02859398	02859398	02859398	02859398	02859398	02859398	02859398
Noiseless Flexible Duct	02893002	02893002	02893002	02893002	02893002	02893002	02893002	02893002

02021602	02060602	02029309	02021309	02060309	02060609	02008107	02005107	02005407	02008299	02005299
8422248093446	8422248093453	8422248108706	8422248108690	8422248108683	8422248356978	8422248356992	8422248356985	8422248357005	8422248108102	8422248097413
S PLUS 7010 X	S PLUS 6010 X	ST-9000 X	ST-7000 X	ST-6000 X	SK 6000 X	CK 9000 X	CK 6000 X	CK 6000 BK	CG5-T900 X	CG5-T600 X
Box	Box	Box	Box	Box	Box	Curved Glass	Curved Glass	Curved Glass	Curved Glass	Curved Glass
98,7	98,7	36,4	36	36,1	24,7	24,7	24,7	24,7	47,6	46,4
C	C	C	C	C	A	A	A	A	B	B
16,3	16,3	10,12	9,84	9,48	25,6	25,6	25,6	25,6	22,2	20,4
D	D	E	E	E	B	B	B	B	C	C
30,3	30,3	39,3	38,9	39,6	31,6	31,6	31,6	31,6	49,33	49,33
A	A	A	A	A	A	A	A	A	A	A
88,5	88,5	70,46	70,11	72,14	74,6	74,6	74,6	74,6	82,87	73,86
B	B	D	D	D	D	D	D	D	C	D
361	361	165	161	166	166	166	166	166	296	304,5
637	637	302	294	292	380	380	380	380	495	499
-	-	-	-	-	-	-	-	-	-	-
69	69	58	58	58	52	52	52	52	45,5	43,5
74	74	62	63,5	62,4	68	68	68	68	66	67,6
-	-	-	-	-	-	-	-	-	-	-
0	0	0	0	0	0	0	0	0	0	0
-	-	-	-	-	-	-	-	-	-	-
1,4	1,4	1,6	1,7	1,7	1,1	1,1	1,1	1,1	1,2	1,27
81,7	81,7	74,9	75	75,4	51,7	51,7	51,7	51,7	64,4	66,7
375,3	375,3	192,63	172,17	171	216,1	216,1	216,1	216,1	287,5	260
295	295	110,53	118,37	114,29	238,5	238,5	238,5	238,5	288	270
188,8	188,8	58,45	57,55	57,27	56	56	56	56	103,6	95,7
3	3	2	2	2	3	3	3	3	3	3
91	91	79	78	79	95	95	95	95	148	148
700	600	900	700	600	600	900	600	600	900	600
500	500	500	500	500	470	470	470	470	470	470
1045	1045	998	998	998	925	915	915	915	776	776
745	745	548	548	548	640	670	670	670	426	426
150	150	150	150	150	150	150	150	150	150	150
M3R	M3R	TT300	TT300	TT300	K10	K10	K10	K10	TT500	TT500
5*1	5*1	5*1	5*1	5*1	3	3	3	3	5*1	5*1
270	270	65	65	65	100	100	100	100	120	120
430	430	172,85	171,83	174,66	293	293	293	293	435	430
-	-	-	-	-	-	-	-	-	-	-
Mechanic	Mechanic	Mechanic	Mechanic	Mechanic	Mechanic	Mechanic	Mechanic	Mechanic	Mechanic	Mechanic
-	-	-	-	-	-	-	-	-	-	-
-	-	-	-	-	-	-	-	-	-	-
Metallic	Metallic	Metallic	Metallic	Metallic	Metallic	Metallic	Metallic	Metallic	Metallic	Metallic
2	2	3	2	2	2	3	2	2	1	1
-	-	-	-	-	-	-	-	-	-	-
CSLED	CSLED	CSLED	CSLED	CSLED	CSLED	CSLED	CSLED	CSLED	LED	LED
-	-	-	-	-	-	-	-	-	-	-
1	1	1	1	1	1	1	1	1	2	2
650	650	650	650	650	650	650	650	650	650	650
650	650	650	650	650	650	650	650	650	650	650
BOTH	BOTH	BOTH	BOTH	BOTH	BOTH	BOTH	BOTH	BOTH	BOTH	BOTH
√	√	√	√	√	√	√	√	√	√	√
277	277	67	67	67	103	103	103	103	123	123
220-240	220-240	220-240	220-240	220-240	220-240	220-240	220-240	220-240	220-240	220-240
50	50	50	50	50	50	50	50	50	50/60	50/60
CLASS II	CLASS II	CLASS I	CLASS I	CLASS I	CLASS II	CLASS II	CLASS II	CLASS II	CLASS I	CLASS I
-	-	-	-	-	-	-	-	-	VDE	VDE
02861300	02861300	02861300	02861300	02861300	02861302	-	-	-	02861300	02861300
-	-	-	-	-	-	-	-	-	-	-
02861401	02861401	02861401	02861401	02861401	-	-	-	-	02861401	02861401
-	-	-	-	-	-	-	-	-	-	-
02832001	02832001	-	-	-	02832004	02832004	02832004	02832004	-	-
-	-	-	-	-	02800917	-	-	-	-	-
02861301	02861301	02800984	02800983	02800963	02800905	02819000*	02800905	02800905	02800963	02800963
02800922	02800922	02859495	02859495	02859495	02800918	-	-	-	02800922 / 02800927	02800922 / 02800927
02859398	02859398	02859398	02859398	02859398	02859489	02859489	02859489	02859489	02859398	02859398
02893002	02893002	02893002	02893002	02893002	02893002	02893002	02893002	02893002	02893002	02893002

Code	02157309	02051303	02093303	02050305	02004310	02003307	02003310
EAN	8422248062299	8422248061827	8422248061834	8422248061841	8422248190596	8422248101615	8422248190602
Model	BETA 1200 X	BETA 900 X	BETA 700 X	BETA 600 X	OMEGA 900 X /M	OMEGA 7500 X	OMEGA 700 X /M
Type	Chimney	Chimney	Chimney	Chimney	Chimney	Chimney	Chimney
Product fiche according to directives EU65/2014 - EN61591, EN60704-2-13, EN50564							
AEC (Annual Energy consumption) (kWh/annum)	56,3	56,3	56,3	56,3	105,4	40,9	95,4
EEL class (Energy Efficiency Class)	A	A	A	A	C	A	C
FDE (Fluid Dynamic Efficiency)	30,6	30,6	30,6	30,6	20	30,4	17,8
FDE class (Fluid Dynamic Efficiency Class)	A	A	A	A	C	A	D
LE (Lighting Efficiency) (lux/W)	36	36	36	36	21	37	26
LE class (Lighting Efficiency Class)	A	A	A	A	B	A	B
GFE (Grease Filtering Efficiency)	91,2	91,2	91,2	91,2	90,3	78,8	90,3
GFE Class (Grease Filtering Efficiency class)	B	B	B	B	B	C	B
Air flow at minimum speed (m ³ /h)	340	340	340	340	385	412,5	385
Air flow at maximum speed (m ³ /h)	600	600	600	600	645	592,9	645
Air flow at intensive speed (TURBO) (m ³ /h)	850	850	850	850	-	-	-
Sound Power Level at minimum speed (dB)	50	50	50	50	57,8	58	57,8
Sound Power Level at maximum speed (dB)	65	65	65	65	71,8	68	71,8
Sound Power Level at intensive speed (TURBO) (dB)	67	67	67	67	-	-	-
Po (Power Consumption in off mode) (W)	0,26	0,26	0,26	0,26	0	0	0
Ps (Power Consumption in standby) (W)	0	0	0	0	0	-	0
Integration directive EU 66/2014							
f (Time Increase Factor)	0,9	0,9	0,9	0,9	1,3	0,9	1,4
EEL (Energy Efficiency Index)	53,7	53,7	53,7	53,7	77,6	49,9	81,3
QBEP (Flow Rate at Best Efficiency Point) (m ³ /h)	416,9	416,9	416,9	416,9	458,1	344,7	371,8
PBEP (Static Pressure Difference at Best Efficiency Point) (Pa)	411	411	411	411	333,8	379	314
WBEP (Electric Power Input at Best Efficiency Point) (W)	155,7	155,7	155,7	155,7	213	119,4	182,5
WL (Nominal Power Consumption of Lighting system) (W)	7	7	7	7	6	2	3
EMIDDLE (Average Illumination of Lighting system on Cooking surface) (lux)	252	252	252	252	126	73	78
External Dimensions							
Width (mm)	1200	900	700	600	900	745	700
Depth (mm)	500	500	500	500	500	480	500
Total max height(mm)	1060	1020	1020	1020	1020	990	1020
Total min height(mm)	660	720	720	720	720	640	720
Outlet Diameter (mm)	150	150	150	150	150	150	150
Characteristics							
Motor	BT3	BT3	BT3	BT3	M3R	TT600	M3R
Extraction Levels	5+1	5+1	5+1	5+1	5+1	5+1	5+1
Motor Maximum Power Consumption	280	280	280	280	270	200	270
Maximum Pressure	450	450	450	450	430	470	430
Intensive Speed (TURBO) Pressure	470	470	470	470	-	-	-
Control Type	VL3i	VL3i	VL3i	VL3i	Mechanic	Mechanic	Mechanic
Automatic shut-down timer	√	√	√	√	-	-	-
Electronic Filter Saturation Indicator	-	-	-	-	-	-	-
Filter Type	Metallic	Metallic	Metallic	Metallic	Metallic	Metallic	Metallic
Anti-grease Filter Number	4	3	2	2	3	2	2
Inner Shield	-	-	-	-	-	-	-
Lighting							
Light Type	EcoLed	EcoLed	EcoLed	EcoLed	CSLED	CSLED	CSLED
Adjustable Intensity Lighting	-	-	-	-	-	-	-
N° of Lamps	2	2	2	2	2	1	1
Installation							
Minimum height distance to a electric worktop hob (mm)	650	650	650	650	650	650	650
Minimum height distance to a gas worktop hob (mm)	650	650	650	650	650	650	650
Instalation with Outlet tube to the exterior / Recirculating	BOTH	BOTH	BOTH	BOTH	BOTH	BOTH	BOTH
Easy Installation System	√	√	√	√	√	√	√
Electric Connection							
Total Rush Power (W)	287	287	287	287	276	202	273
Rated Voltage (V)	220-240	220-240	220-240	220-240	220-240	220-240	220-240
Network Frequency (Hz)	50	50	50	50	50	50/60	50
Electrical Insulation Class	CLASS II	CLASS II	CLASS II	CLASS II	CLASS II	CLASS I	CLASS II
Plug	EU - 2 pins	EU - 2 pins	EU - 2 pins	EU - 2 pins	No	VDE	No
Accessories							
Upper Decorative tube Extension	02861300	02861300	02861300	02861300	02861300	02861300	02861300
White Decorative Tube	-	-	-	-	-	-	-
Black Decorative Tube	02861401	02861401	02861401	02861401	02861401	02861401	02861401
Island Tube Enhancer	-	-	-	-	-	-	-
Check Valve	02832004	02832004	02832004	02832004	02832001	-	02832001
MAX PRO Metal Filter	02800917	02800917	02800917	02800917	02800917	-	02800917
Metal Filter	02800200*	02800200*	02800200*	02800200*	02800905*	02800976	02800905*
DUAL Filter (metal + active charcoal)	02800918	02800918	02800918	02800918	02800918	02800918	02800918
Active Charcoal Filter	02859398	02859398	02859398	02859398	02859398	02859398	0859398
Noiseless Flexible Duct	02893002	02893002	02893002	02893002	02893002	-	02893002

02002310	02004410	02002410	02004010	02003010	02002010	02061606	02061405	02061105	02088303	02063399
8422248109826	8422248190633	8422248109833	8422248190619	8422248190626	8422248109819	8422248357012	8422248357074	8422248357081	8422248087315	8422248095303
OMEGA 600 X / M	OMEGA 900 BK / M	OMEGA 600 BK / M	OMEGA 900 WH / M	OMEGA 700 WH / M	OMEGA 600 WH / M	VK 6000 X	VK 6000 BK	VK 6000 WH	V-500 X	V3-T900 X
Chimney	Chimney	Chimney	Chimney	Chimney	Chimney	Chimney	Chimney	Chimney	Chimney	Chimney
95,4	105,4	95,4	105,4	95,4	95,4	24,8	24,8	24,8	53,7	29,8
C	C	C	C	C	C	A	A	A	C	B
17,8	20	17,8	20	17,8	17,8	28,5	28,5	28,5	10,3	13,9
D	C	D	C	D	D	B	B	B	E	D
26	21	26	21	26	26	31,6	31,6	31,6	8,4	35
B	B	B	B	B	B	A	A	A	E	A
90,3	90,3	90,3	90,3	90,3	90,3	71,4	71,4	71,4	71,4	65,3
B	B	B	B	B	B	D	D	D	D	D
385	385	385	385	385	385	166	166	166	210	166,7
645	645	645	645	645	645	395	395	395	420	335,8
-	-	-	-	-	-	-	-	-	-	-
57,8	57,8	57,8	57,8	57,8	57,8	49	49	49	53	51
71,8	71,8	71,8	71,8	71,8	71,8	67	67	67	65	66
-	-	-	-	-	-	-	-	-	-	-
0	0	0	0	0	0	0	0	0	0	0
0	0	0	0	0	0	-	-	-	0	-
1,4	1,3	1,4	1,3	1,4	1,4	1	1	1	1,6	1,5
81,3	77,6	81,3	77,6	81,3	81,3	48,5	48,5	48,5	84,4	66,4
371,8	458,1	371,8	458,1	371,8	371,8	255,1	255,1	255,1	220	202,1
314	333,8	314	333,8	314	314	249,1	249,1	249,1	130	129
182,5	213	182,5	213	182,5	182,5	62	62	62	76,9	52,1
3	6	3	6	3	3	3	3	3	11	1,7
78	126	78	126	78	78	95	95	95	208,8	63
600	900	600	900	700	600	600	600	600	700	895
500	500	500	500	500	500	475	475	475	475	480
1020	1020	1020	1020	1020	1020	910	910	910	910	923
720	720	720	720	720	720	670	670	670	610	573
150	150	150	150	150	150	150	150	150	150	150
M3R	M3R	M3R	M3R	M3R	M3R	K10	K10	K10	K7 PLUS	TT300
5+1	5+1	5+1	5+1	5+1	5+1	3	3	3	5+1	5+1
270	270	270	270	270	270	100	100	100	95	65
430	430	430	430	430	430	290,8	290,8	290,8	200	177
-	-	-	-	-	-	-	-	-	-	-
Mechanic	Mechanic	Mechanic	Mechanic	Mechanic	Mechanic	Mechanic	Mechanic	Mechanic	Mechanic	Mechanic
-	-	-	-	-	-	-	-	-	-	-
-	-	-	-	-	-	-	-	-	-	-
Metallic	Metallic	Metallic	Metallic	Metallic	Metallic	Metallic	Metallic	Metallic	Metallic	Metallic
1	3	1	3	2	1	2	2	2	2	3
-	-	-	-	-	-	-	-	-	-	-
CSLED	CSLED	CSLED	CSLED	CSLED	CSLED	CSLED	CSLED	CSLED	LED E-14	CSLED
-	-	-	-	-	-	-	-	-	-	-
1	2	1	2	1	1	1	1	1	2	1
650	650	650	650	650	650	650	650	650	650	650
650	650	650	650	650	650	650	650	650	650	650
BOTH	BOTH	BOTH	BOTH	BOTH	BOTH	BOTH	BOTH	BOTH	BOTH	BOTH
√	√	√	√	√	√	√	√	√	√	√
273	276	273	276	273	273	103	103	103	106	67
220-240	220-240	220-240	220-240	220-240	220-240	220-240	220-240	220-240	220-240	220-240
50	50	50	50	50	50	50	50	50	50	50
CLASS II	CLASS II	CLASS II	CLASS II	CLASS II	CLASS II	CLASS II	CLASS II	CLASS II	CLASS II	CLASS I
No	No	No	No	No	No	-	-	-	EU - 2 pins	VDE
02861300	02861300	02861300	02861300	02861300	02861300	02862302	02862302	02862302	02861300	02861300
-	-	-	-	-	-	-	-	-	-	-
02861401	02861401	02861401	02861401	02861401	02861401	-	-	-	02861401	02861401
-	-	-	-	-	-	-	-	-	-	-
02832001	02832001	02832001	02832001	02832001	02832001	02832004	02832004	02832004	02832004	-
02800917	02800917	02800917	02800917	02800917	02800917	02800917	02800917	02800917	02800917	-
02800905*	02800905*	02800905*	02800905*	02800905*	02800905*	02800905*	02800905*	02800905*	02800905*	02800995
02800918	02800918	02800918	02800918	02800918	02800918	02800918	02800918	02800918	02800918	-
02859398	02859398	02859398	02859398	02859398	02859398	02859489	02859489	02859489	02859398	02849495
02893002	02893002	02893002	02893002	02893002	02893002	02893002	02893002	02893002	02893002	02893002

Code	02061399	02061799	02149402	02148402	02165201	02189005	02181308	02180308
EAN	8422248095273	8422248110198	8422248084161	8422248084178	8422248055529	8422248093729	8422248110556	8422248198547
Model	V3-T600 X	V3-T600 WH	Q-7790 BK	Q-7760 BK	CHORUS XBK	TENTA 90 GWH	CORONA X 120	CORONA X 100
Type	Chimney	Chimney	Chimney	Chimney	MW Box	Integrated	Integrated	Integrated
Product fiche according to directives EU65/2014 - EN61591, EN60704-2-13, EN50564								
AEC (Annual Energy consumption) (kWh/annum)	29,8	29,8	95,7	95,7	49	24,7	55,5	51,9
EEL class (Energy Efficiency Class)	B	B	C	C	C	A+	A	A
FDE (Fluid Dynamic Efficiency)	13,9	13,9	17,8	17,8	9,8	37,5	30,6	30,6
FDE class (Fluid Dynamic Efficiency Class)	D	D	D	D	E	A	A	A
LE (Lighting Efficiency) (lux/W)	44	44	36	36	36	23,7	16,1	22,3
LE class (Lighting Efficiency Class)	A	A	A	A	A	B	C	B
GFE (Grease Filtering Efficiency)	65,3	65,3	90,3	90,3	74,6	85,79	84,27	84,2
GFE Class (Grease Filtering Efficiency class)	D	D	B	B	D	B	C	C
Air flow at minimum speed (m³/h)	166,7	166,7	385	385	210	245	340	340
Air flow at maximum speed (m³/h)	335,8	335,8	645	645	400	509,4	600	600
Air flow at intensive speed (TURBO) (m³/h)	-	-	-	-	-	765,3	850	850
Sound Power Level at minimum speed (dB)	51	51	58	58	50	46	50	50
Sound Power Level at maximum speed (dB)	66	66	72	72	62	63	65	65
Sound Power Level at intensive speed (TURBO) (dB)	-	-	-	-	-	67	67	67
Po (Power Consumption in off mode) (W)	0	0	0	0	0	0,49	0,45	0,26
Ps (Power Consumption in standby) (W)	-	-	0	0	0	0	0	0
Integration directive EU 66/2014								
f (Time Increase Factor)	1,5	1,5	1,4	1,4	1,6	0,7	0,9	0,9
EEL (Energy Efficiency Index)	66,4	66,4	80,1	80,1	82,6	40,3	53,3	53,3
QBEP (Flow Rate at Best Efficiency Point) (m³/h)	202,1	202,1	371,8	371,8	208,6	346,6	416,9	416,9
PBEP (Static Pressure Difference at Best Efficiency Point) (Pa)	129	129	314	314	123	298	411	411
WBEP (Electric Power Input at Best Efficiency Point) (W)	52,1	52,1	182,5	182,5	72,9	76,6	155,7	155,7
WL (Nominal Power Consumption of Lighting system) (W)	1,7	1,7	7	7	7	7	6	3
EMIDDLE (Average Illumination of Lighting system on Cooking surface) (lux)	74	74	252	252	252	166	96,6	67
External Dimensions								
Width (mm)	595	595	900	600	598	900	1195	995
Depth (mm)	480	480	560	560	470	310-350	310-350	310-350
Total max height(mm)	923	923	1140	1110	1140	331	339	334
Total min height(mm)	573	573	720	655	775	331	339	334
Outlet Diameter (mm)	150	150	150	150	150	150	150	150
Characteristics								
Motor	TT300	TT300	M3R	M3R	K7 PLUS	BT4DC	BT3	BT3
Extraction Levels	5+1	5+1	5+1	5+1	5+1	5+1	5+1	5+1
Motor Maximum Power Consumption	65	65	270	270	95	135	280	280
Maximum Pressure	177	177	430	430	200	357	450	450
Intensive Speed (TURBO) Pressure	-	-	-	-	-	365	470	470
Control Type	Mechanic	Mechanic	Mechanic	Mechanic	Mechanic	TCD6i	VL4i	VL4i
Automatic shut-down timer	-	-	-	-	-	√	√	√
Electronic Filter Saturation Indicator	-	-	-	-	-	√	-	-
Filter Type	Metallic	Metallic	Metallic	Metallic	Metallic	Metallic	Metallic	Metallic
Anti-grease Filter Number	3	3	2	2	2	3	2	2
Inner Shield	-	-	-	-	-	-	-	-
Lighting								
Light Type	CSLED	CSLED	EcoLed	EcoLed	EcoLed	SSLED	Eco Led Strip	Eco Led Strip
Adjustable Intensity Lighting	-	-	-	-	-	√	-	-
N° of Lamps	1	1	2	2	2	1	2	1
Installation								
Minimum height distance to a electric worktop hob (mm)	650	650	650	650	592	550	550	550
Minimum height distance to a gas worktop hob (mm)	650	650	650	650	692	650	650	650
Installation with Outlet tube to the exterior / Recirculating	BOTH	BOTH	BOTH	BOTH	BOTH	BOTH	BOTH	BOTH
Easy Installation System	√	√	√	√	√	√	√	√
Electric Connection								
Total Rush Power (W)	67	67	277	277	102	146	286	283
Rated Voltage (V)	220-240	220-240	220-240	220-240	220-240	220-240	220-240	220-240
Network Frequency (Hz)	50	50	50	50	50	50-60	50	50
Electrical Insulation Class	CLASS I	CLASS I	CLASS II	CLASS II	CLASS II	CLASS I	CLASS II	CLASS II
Plug	VDE	VDE	EU - 2 pins	EU - 2 pins	EU - 2 pins	-	-	-
Accessories								
Upper Decorative tube Extension	02861300	02861300	02861300	02861300	02861300	02861300	02861300	02861300
White Decorative Tube	-	-	-	-	-	-	-	-
Black Decorative Tube	02861401	02861401	02861401	02861401	02861401	02861401	02861401	02861401
Island Tube Enhancer	-	-	-	-	-	-	-	-
Check Valve	-	-	02832001	02832001	02832004	02832008	02832004	02832004
MAX PRO Metal Filter	-	-	02800917	-	02800917	-	-	-
Metal Filter	02800995	02800995	02800905	02800940	02800905*	02811000	02800205	02800205
DUAL Filter (metal + active charcoal)	-	-	02800918	-	02800918	02811003	-	-
Active Charcoal Filter	02849495	02849495	02859391	02859391	02859394	02859318	02859398	02859398
Noiseless Flexible Duct	02893002	02893002	02893002	02893002	02893002	02893002	02893002	02893002

02189308	02188308	02187308	02186308	02189400	02186400	02186010	02189309	02188309	02187309	02186309
8422248110549	8422248110532	8422248110525	8422248110518	8422248348782	8422248198257	8422248355216	8422248110587	8422248356022	8422248351928	8422248110570
CORONA X 90	CORONA 80	CORONA X 70	CORONA X 60	CORONA BK 90 / B	CORONA BK 60	CORONA WH 60	ARMONIA 90 X	ARMONIA 80 X	ARMONIA 70 X	ARMONIA 60 X
Integrated	Integrated	Integrated	Integrated	Integrated	Integrated	Integrated	Integrated	Integrated	Integrated	Integrated
51,9	51,9	51,9	51,9	51,9	51,9	51,9	100,9	100,9	100,9	100,9
A	A	A	A	A	A	A	C	C	C	C
30,6	30,6	30,6	30,6	30,6	30,6	30,6	16,3	16,3	16,3	16,3
A	A	A	A	A	A	A	D	D	D	D
22,3	22,3	22,3	22,3	22,3	22,3	22,3	21,4	21,4	21,4	21,4
B	B	B	B	B	B	B	B	B	B	B
84,2	84,2	84,2	84,2	84,2	84,2	84,2	88,5	88,5	88,5	88,5
C	C	C	C	C	C	C	B	B	B	B
340	340	340	340	340	340	340	385	385	385	385
600	600	600	600	600	600	600	645	645	645	645
850	850	850	850	850	850	850	-	-	-	-
50	50	50	50	50	50	50	56	56	56	56
65	65	65	65	65	65	65	70	70	70	70
67	67	67	67	67	67	67	-	-	-	-
0,26	0,26	0,26	0,26	0,26	0,26	0,26	0	0	0	0
0	0	0	0	0	0	0	0	0	0	0
0,9	0,9	0,9	0,9	0,9	0,9	0,9	1,4	1,4	1,4	1,4
53,3	53,3	53,3	53,3	53,3	53,3	53,3	82,4	82,4	82,4	82,4
416,9	416,9	416,9	416,9	416,9	416,9	416,9	375,3	375,3	375,3	375,3
411	411	411	411	411	411	411	295	295	295	295
155,7	155,7	155,7	155,7	155,7	155,7	155,7	188,8	188,8	188,8	188,8
3	3	3	3	3	3	3	6	6	6	6
67	67	67	67	67	67	67	128,3	128,3	128,3	128,3
895	795	695	595	895	595	595	898	798	698	598
310-350	310-350	310-350	310-350	310-350	310-350	310-350	310-350	310-350	310-350	310-350
334	334	334	334	334	334	334	280	280	280	280
334	334	334	334	334	334	334	280	280	280	280
150	150	150	150	150	150	150	150	150	150	150
BT3	BT3	BT3	BT3	BT3	BT3	BT3	M3R	M3R	M3R	M3R
5+1	5+1	5+1	5+1	5+1	5+1	5+1	5+1	5+1	5+1	5+1
280	280	280	280	280	280	280	270	270	270	270
450	450	450	450	450	450	450	430	430	430	430
470	470	470	470	470	470	470	-	-	-	-
VL4i	VL4i	VL4i	VL4i	VL4i	VL4i	VL4i	Mechanic	Mechanic	Mechanic	Mechanic
v	v	v	v	v	v	v	-	-	-	-
-	-	-	-	-	-	-	-	-	-	-
Metallic	Metallic	Metallic	Metallic	Metallic	Metallic	Metallic	Metallic	Metallic	Metallic	Metallic
2	2	2	2	2	2	2	2	2	2	2
-	-	-	-	-	-	-	-	-	-	-
Eco Led Strip	Eco Led Strip	Eco Led Strip	Eco Led Strip	Eco Led Strip	Eco Led Strip	Eco Led Strip	CSLED	CSLED	CSLED	CSLED
-	-	-	-	-	-	-	-	-	-	-
1	1	1	1	1	1	1	2	2	2	2
550	550	550	550	550	550	550	550	550	550	550
650	650	650	650	650	650	650	650	650	650	650
BOTH	BOTH	BOTH	BOTH	BOTH	BOTH	BOTH	BOTH	BOTH	BOTH	BOTH
v	v	v	v	v	v	v	v	v	v	v
283	283	283	283	283	283	283	276	276	276	276
220-240	220-240	220-240	220-240	220-240	220-240	220-240	220-240	220-240	220-240	220-240
50	50	50	50	50	50	50	50	50	50	50
CLASS II	CLASS II	CLASS II	CLASS II	CLASS II	CLASS II	CLASS II	CLASE I	CLASE I	CLASE I	CLASE I
-	-	-	-	-	-	-	-	-	-	-
02861300	02861300	02861300	02861300	02861300	02861300	02861300	02861300	02861300	02861300	02861300
-	-	-	-	-	-	-	-	-	-	-
02861401	02861401	02861401	02861401	02861401	02861401	02861401	02861401	02861401	02861401	02861401
-	-	-	-	-	-	-	-	-	-	-
02832004	02832004	02832004	02832004	02832004	02832004	02832004	02832001	02832001	02832001	02832001
-	-	-	-	-	-	-	-	-	-	-
02800205	02800210	02800943	02800205	02800205	02800205	02800205	02800207	02801002	02801002	02800211
-	-	-	-	-	-	-	02800215	02801003	02801003	02800216
02859398	02859398	02859398	02859398	02859398	02859398	02859398	02859398	02859398	02859398	02859398
02893002	02893002	02893002	02893002	02893002	02893002	02893002	02893002	02893002	02893002	02893002

Code	02184309	02187309	02186409	02131208	02130208	02131207	02130207
EAN	8422248110563	8422248351928	8422248355995	8422248078320	8422248078306	8422248078313	8422248078290
Model	ARMONIA 45 X	ARMONIA 70 X	ARMONIA 60 BK	GC DUAL 75 BK	GC DUAL 45 BK	GC DUAL 75 WH	GC DUAL 45 WH
Type	Integrated	Integrated	Integrated	Canopy	Canopy	Canopy	Canopy
Product fiche according to directives EU65/2014 - EN61591, EN60704-2-13, EN50564							
AEC (Annual Energy consumption) (kWh/annum)	100,9	100,9	100,9	58,3	58,3	58,3	58,3
EEL class (Energy Efficiency Class)	C	C	C	A	A	A	A
FDE (Fluid Dynamic Efficiency)	16,3	16,3	16,3	30,2	30,2	30,2	30,2
FDE class (Fluid Dynamic Efficiency Class)	D	D	D	A	A	A	A
LE (Lighting Efficiency) (lux/W)	21,4	21,4	21,4	16,1	16,1	16,1	16,1
LE class (Lighting Efficiency Class)	B	B	B	C	C	C	C
GFE (Grease Filtering Efficiency)	88,5	88,5	88,5	91,2	91,2	91,2	91,2
GFE Class (Grease Filtering Efficiency class)	B	B	B	B	B	B	B
Air flow at minimum speed (m³/h)	385	385	385	340	340	340	340
Air flow at maximum speed (m³/h)	645	645	645	600	600	600	600
Air flow at intensive speed (TURBO) (m³/h)	-	-	-	820	820	820	820
Sound Power Level at minimum speed (dB)	56	56	56	50	50	50	50
Sound Power Level at maximum speed (dB)	70	70	70	65	65	65	65
Sound Power Level at intensive speed (TURBO) (dB)	-	-	-	67	67	67	67
Po (Power Consumption in off mode) (W)	0	0	0	0,3	0,3	0,3	0,3
Ps (Power Consumption in standby) (W)	0	0	0	0	0	0	0
Integration directive EU 66/2014							
f (Time Increase Factor)	1,4	1,4	1,4	0,9	0,9	0,9	0,9
EEL (Energy Efficiency Index)	82,4	82,4	82,4	54,4	54,4	54,4	54,4
QBEP (Flow Rate at Best Efficiency Point) (m³/h)	375,3	375,3	375,3	429,4	429,4	429,4	429,4
PBEP (Static Pressure Difference at Best Efficiency Point) (Pa)	295	295	295	405	405	405	405
WBEP (Electric Power Input at Best Efficiency Point) (W)	188,8	188,8	188,8	159,8	159,8	159,8	159,8
WL (Nominal Power Consumption of Lighting system) (W)	6	6	6	7	7	7	7
EMIDDLE (Average Illumination of Lighting system on Cooking surface) (lux)	128,3	128,3	128,3	113	113	113	113
External Dimensions							
Width (mm)	447	698	598	792	492	792	492
Depth (mm)	310-350	310-350	310-350	277	277	277	277
Total max height(mm)	280	280	280	300	300	300	300
Total min height(mm)	280	280	280	300	300	300	300
Outlet Diameter (mm)	150	150	150	150	150	150	150
Characteristics							
Motor	M3R	M3R	M3R	BT3	BT3	BT3	BT3
Extraction Levels	5+1	5+1	5+1	5+1	5+1	5+1	5+1
Motor Maximum Power Consumption	270	270	270	280	280	280	280
Maximum Pressure	430	430	430	450	450	450	450
Intensive Speed (TURBO) Pressure	-	-	-	470	470	470	470
Control Type	Mechanic	Mechanic	Mechanic	TC4i	TC4i	TC4i	TC4i
Automatic shut-down timer	-	-	-	√	√	√	√
Electronic Filter Saturation Indicator	-	-	-	√	√	√	√
Filter Type	Metallic	Metallic	Metallic	Metallic	Metallic	Metallic	Metallic
Anti-grease Filter Number	2	2	2	1	1	1	1
Inner Shield	-	-	-	-	-	-	-
Lighting							
Light Type	CSLED	CSLED	CSLED	EcoLed	EcoLed	EcoLed	EcoLed
Adjustable Intensity Lighting	-	-	-	-	-	-	-
N° of Lamps	2	2	2	2	2	2	2
Installation							
Minimum height distance to a electric worktop hob (mm)	550	550	550	550	550	550	550
Minimum height distance to a gas worktop hob (mm)	650	650	650	650	650	650	650
Installation with Outlet tube to the exterior / Recirculating	BOTH	BOTH	BOTH	BOTH	BOTH	BOTH	BOTH
Easy Installation System	√	√	√	√	√	√	√
Electric Connection							
Total Rush Power (W)	276	276	276	287	287	287	287
Rated Voltage (V)	220-240	220-240	220-240	220-240	220-240	220-240	220-240
Network Frequency (Hz)	50	50	50	50	50	50	50
Electrical Insulation Class	CLASE I	CLASE I	CLASE I	CLASS II	CLASS II	CLASS II	CLASS II
Plug	-	-	-	EU - 2 pins	EU - 2 pins	EU - 2 pins	EU - 2 pins
Accessories							
Upper Decorative tube Extension	02861300	02861300	02861300	02861300	02861300	02861300	02861300
White Decorative Tube	-	-	-	-	-	-	-
Black Decorative Tube	02861401	02861401	02861401	02861401	02861401	02861401	02861401
Island Tube Enhancer	-	-	-	-	-	-	-
Check Valve	02832001	02832001	02832001	02832004	02832004	02832004	02832004
MAX PRO Metal Filter	-	-	-	-	-	-	-
Metal Filter	02800207	02801002	02800211	02800903	02800904	02800903	02800904
DUAL Filter (metal + active charcoal)	02800215	02801003	02800216	02800922 / 02800927	02800922 / 02800927	02800922 / 02800927	02800922 / 02800927
Active Charcoal Filter	02859398	02859398	02859398	2859398	2859398	2859398	2859398
Noiseless Flexible Duct	02893002	02893002	02893002	02893002	02893002	02893002	02893002

02031308	02030308	02031304	02030304	02031302	02030305	02031301	02030309	02030408	02030005	02031300	02030300
8422248103589	8422248103572	8422248198486	8422248198479	8422248190411	8422248077842	8422248190381	8422248190374	8422248190404	8422248190398	8422248108461	8422248108454
GCX 83 SD	GCX 53 SD	GPL 75 X	GPL 52 X	GL 75 X	GL 45 X	GT-PLUS 75 X / M	GT-PLUS 45 X / M	GT-PLUS 45 BK / M	GT-PLUS 45 WH / M	GCB 73 X	GCB 55 X
Canopy	Canopy	Canopy	Canopy	Canopy	Canopy	Canopy	Canopy	Canopy	Canopy	Canopy	Canopy
56,1	56,1	60	59	58,3	58,3	88,6	88,6	88,6	88,6	54	54
A	A	B	B	A	A	C	C	C	C	C	C
30,2	30,2	26,1	25,9	30,2	30,2	16,3	16,3	16,3	16,3	10,1	10,1
A	A	B	B	A	A	D	D	D	D	E	E
26	26	29,8	32,5	24,3	24,3	28,3	33,7	33,7	33,7	29,5	30,4
B	B	A	A	B	B	A	A	A	A	A	A
91,2	91,2	66,7	66,7	91,2	91,2	91,2	91,2	91,2	91,2	58,3	58,3
B	B	D	D	B	B	B	B	B	B	E	E
340	340	252,4	249,6	340	340	300	300	300	300	283,1	282
600	600	591,8	589,7	600	600	645	645	645	645	372,2	371,1
750	750	-	-	820	820	-	-	-	-	-	-
50	50	50,2	48,9	50	50	50	50	50	50	60	59
65	65	67,5	67,6	65	65	65	65	65	65	66,4	65,9
67	67	-	-	67	67	-	-	-	-	-	-
0,3	0,3	0	0	0,3	0,3	0	0	0	0	0	0
0	0	0,48	0,49	0	0	0	0	0	0	0	0
0,9	0,9	1,06	1,07	0,9	0,9	1,4	1,4	1,4	1,4	1,64	1,64
54,4	54,4	61,1	60,7	54,4	54,4	81,1	81,1	81,1	81,1	83,5	83,6
429,4	429,4	332,5	327,4	429,4	429,4	358,1	358,1	358,1	358,1	198,1	197,5
405	405	410	411	405	405	270	270	270	270	160	161
159,8	159,8	145,3	144,3	159,8	159,8	164,9	164,9	164,9	164,9	86,9	87,2
7	7	4,8	3,2	7	7	6	6	6	6	3	3
170	170	143,2	104	170	170	170	202	202	202	88,4	91,2
830	530	700	520	792	492	792	492	492	492	730	550
280	253	280	280	277	277	277	277	277	277	310	310
316	316	256	256	315	280	312	282	282	282	187	187
316	316	256	256	315	280	312	282	282	282	187	187
150	150	150	150	150	150	150	150	150	150	150	150
BT3	BT3	186W	186W	BT3	BT3	BT2	BT2	BT2	BT2	120W	120W
5*1	5*1	5*1	5*1	5*1	5*1	5*1	5*1	5*1	5*1	5*1	5*1
280	280	186	186	280	280	200	200	200	200	120	120
450	450	484	484	450	450	400	400	400	400	226	226
470	470	-	-	470	470	-	-	-	-	-	-
TC4i	TC4i	Touch Control	Touch Control	TC4i	TC4i	Mechanic	Mechanic	Mechanic	Mechanic	Mechanic	Mechanic
√	√	√	√	√	√	-	-	-	-	-	-
√	√	√	√	√	√	-	-	-	-	-	-
Metallic	Metallic	Metallic	Metallic	Metallic	Metallic	Metallic	Metallic	Metallic	Metallic	Metallic	Metallic
2	2	2	2	3	2	2	2	2	2	2	2
-	-	-	-	-	-	-	-	-	-	-	-
SSLED	SSLED	Strip led	Strip led	EcoLed	EcoLed	CSLED	CSLED	CSLED	CSLED	CSLED	CSLED
√	√	-	-	√	√	-	-	-	-	-	-
1	1	1	1	2	2	2	2	2	2	1	1
550	550	550	550	550	550	550	550	550	550	550	550
650	650	650	650	650	650	650	650	650	650	650	650
BOTH	BOTH	BOTH	BOTH	BOTH	BOTH	BOTH	BOTH	BOTH	BOTH	BOTH	BOTH
√	√	√	√	√	√	√	√	√	√	√	√
285	285	189,5	189,5	287	287	206	206	206	206	123	123
220-240	220-240	220-240	220-240	220-240	220-240	220-240	220-240	220-240	220-240	220-240	220-240
50	50	50	50	50	50	50	50	50	50	50	50
CLASS II	CLASS II	CLASS I	CLASS I	CLASS II	CLASS II	CLASS II	CLASS II	CLASS II	CLASS II	CLASS I	CLASS I
EU - 2 pins	EU - 2 pins	-	-	EU - 2 pins	EU - 2 pins	EU - 2 pins	EU - 2 pins	EU - 2 pins	EU - 2 pins	-	-
02861300	02861300	02861300	02861300	02861300	02861300	02861300	02861300	02861300	02861300	02861300	02861300
-	-	-	-	-	-	-	-	-	-	-	-
02861401	02861401	02861401	02861401	02861401	02861401	02861401	02861401	02861401	02861401	02861401	02861401
-	-	-	-	-	-	-	-	-	-	-	-
02832004	02832004	-	-	02832004	02832004	02832004	02832004	02832004	02832004	-	-
-	-	-	-	-	-	-	-	-	-	-	-
65300315	65300310	02811015	02811016	02811000	02811000	02811000*	02811000*	02811000*	02811000*	02800988	02800987
02800922 / 02800927	02800922 / 02800927	02800922 / 02800927	02800922 / 02800927	02800922 / 02800927	02800922 / 02800927	02800922 / 02800927	02800922 / 02800927	02800922 / 02800927	02800922 / 02800927	02800922 / 02800927	02800922 / 02800927
2859398	2859398	2859398	2859398	2859398	2859398	2859398	2859398	2859398	2859398	2859398	2859398
02893002	02893002	-	-	02893002	02893002	02893002	02893002	02893002	02893002	02893002	02893002

Code	02130402	02039305	02039005	02039306	02039007	02010601	02010101
EAN	8422248082716	8422248087377	8422248087384	8422248357135	8422248357142	8422248112741	8422248112758
Model	G 50 LUX X	G-45 X	G-45 WH	GK 4500 X	GK 4500 WH	TFH 6830 X	TFH 6830 GWH
Type	Canopy	Canopy	Canopy	Canopy	Canopy	Telescopic	Telescopic
Product fiche according to directives EU65/2014 - EN61591, EN60704-2-13, EN50564							
AEC (Annual Energy consumption) (kWh/annum)	49	48,6	48,6	29,7	29,7	16,6	16,6
EEL class (Energy Efficiency Class)	C	C	C	B	B	A+++	A+++
FDE (Fluid Dynamic Efficiency)	9,8	11,7	11,7	19,3	19,3	41,11	41,11
FDE class (Fluid Dynamic Efficiency Class)	E	E	E	C	C	A	A
LE (Lighting Efficiency) (lux/W)	36	8,4	8,4	15,5	15,5	22,6	22,6
LE class (Lighting Efficiency Class)	A	E	E	D	D	B	B
GFE (Grease Filtering Efficiency)	74,6	63	63	63	63	66,4	66,4
GFE Class (Grease Filtering Efficiency class)	D	E	E	E	E	D	D
Air flow at minimum speed (m ³ /h)	210	162	162	190	190	291	291
Air flow at maximum speed (m ³ /h)	400	335	335	360	360	600	600
Air flow at intensive speed (TURBO) (m ³ /h)	-	-	-	-	-	795	795
Sound Power Level at minimum speed (dB)	50	57	57	56	56	46	46
Sound Power Level at maximum speed (dB)	62	62	62	67	67	64	64
Sound Power Level at intensive speed (TURBO) (dB)	-	-	-	-	-	69	69
Po (Power Consumption in off mode) (W)	0	0	0	0	0	0,3	0,3
Ps (Power Consumption in standby) (W)	0	0	0	0	0	-	-
Integration directive EU 66/2014							
f (Time Increase Factor)	1,6	1,6	1,6	1,3	1,3	0,5	0,5
EEL (Energy Efficiency Index)	82,6	81,7	81,7	60,7	60,7	27,5	27,5
QBEP (Flow Rate at Best Efficiency Point) (m ³ /h)	208,6	185,2	185,2	199,7	199,7	332,82	332,82
PBEP (Static Pressure Difference at Best Efficiency Point) (Pa)	123	159	159	202	202	251,41	251,41
WBEP (Electric Power Input at Best Efficiency Point) (W)	72,9	69,4	69,4	58	58	79,03	79,03
WL (Nominal Power Consumption of Lighting system) (W)	7	11	11	3	3	3	3
EMIDDLE (Average Illumination of Lighting system on Cooking surface) (lux)	252	93	93	46,5	46,5	79	79
External Dimensions							
Width (mm)	530	510	510	510	510	600	600
Depth (mm)	310	302	302	302	302	300-350	300-350
Total max height(mm)	172	170	170	170	170	221,5	221,5
Total min height(mm)	172	170	170	170	170	221,5	221,5
Outlet Diameter (mm)	150	150	150	150	150	150	150
Characteristics							
Motor	K7 PLUS	TF 2003	TF 2003	K11	K11	BT4DC	BT4DC
Extraction Levels	5+1	5+1	5+1	2	2	5+1	5+1
Motor Maximum Power Consumption	95	100	100	90	90	135	135
Maximum Pressure	200	194	194	252	252	357	357
Intensive Speed (TURBO) Pressure	-	-	-	-	-	365	365
Control Type	Mechanic	Slider	Slider	Slider	Slider	TCD6i	TCD6i
Automatic shut-down timer	-	-	-	-	-	√	√
Electronic Filter Saturation Indicator	-	-	-	-	-	√	√
Filter Type	Metallic	Metallic	Metallic	Metallic	Metallic	Metallic	Metallic
Anti-grease Filter Number	1	1	1	1	1	2	2
Inner Shield	-	-	-	-	-	-	-
Lighting							
Light Type	EcoLed	LED E-14	LED E-14	E14 3W	E14 3W	SS Led	SS Led
Adjustable Intensity Lighting	-	-	-	-	-	√	√
N° of Lamps	2	2	2	1	1	1	1
Installation							
Minimum height distance to a electric worktop hob (mm)	550	550	550	550	550	550	550
Minimum height distance to a gas worktop hob (mm)	650	650	650	650	650	650	650
Installation with Outlet tube to the exterior / Recirculating	BOTH	BOTH	BOTH	BOTH	BOTH	BOTH	BOTH
Easy Installation System	√	√	√	√	√	√	√
Electric Connection							
Total Rush Power (W)	102	111	111	93	93	138	138
Rated Voltage (V)	220-240	220-240	220-240	220-240	220-240	220-240	220-240
Network Frequency (Hz)	50	50	50	50	50	50-60	50-60
Electrical Insulation Class	CLASS II	CLASS I	CLASS I	CLASS II	CLASS II	CLASS I	CLASS I
Plug	EU - 2 pins	-	-	-	-	-	-
Accessories							
Upper Decorative tube Extension	02861300	02861300	02861300	-	-	02861300	02861300
White Decorative Tube	-	-	-	-	-	-	-
Black Decorative Tube	02861401	02861401	02861401	-	-	02861401	02861401
Island Tube Enhancer	-	-	-	-	-	-	-
Check Valve	02832004	02849003	02849003	02849003	02849003	02832004	02832004
MAX PRO Metal Filter	-	-	-	-	-	-	-
Metal Filter	02894010	02808000*	02808000*	02808000*	02808000*	02825279	02825279
DUAL Filter (metal + active charcoal)	02800922 / 02800927	02800922 / 02800927	02800922 / 02800927	-	-	02800922 / 02800927	02800922 / 02800927
Active Charcoal Filter	02859398	02859398	02859398	02859489	02859489	02859398	02859398
Noiseless Flexible Duct	02893002	-	-	-	-	02893002	02893002

02010404	02010300	02010301	02010302	02010609	02010009	02010409	02017203	02017202	02094306	02089306
8422248357364	8422248082365	8422248082396	8422248082402	8422248343626	8422248343619	8422248343602	8422248062015	8422248062008	8422248110310	8422248110327
TFH 6830 GBK	TFH 6630 X	TFH 6630 WH	TFH 6630 BK	TFH 6430 X	TFH 6430 GWH	TFH 6430 GBK	TF-2003 600 GBK /B	TF-2003 600 GWH /A	EXTENDER 900	EXTENDER 700
Telescopic	Telescopic	Telescopic	Telescopic	Telescopic	Telescopic	Telescopic	Telescopic	Telescopic	Telescopic	Telescopic
16,6	19,3	19,3	19,3	13,4	13,4	13,4	44,5	44,5	44,5	44,5
A+++	A+	A+	A+	A+	A+	A+	C	C	C	C
41,11	34,4	34,4	34,4	24,9	24,9	24,9	11,9	11,9	11,9	11,9
A	A	A	A	B	B	B	E	E	E	E
22,6	21,9	21,9	21,9	18	18	18	36	36	36	36
B	B	B	B	C	C	C	A	A	A	A
66,4	66,4	66,4	66,4	79,9	79,9	79,9	68	68	68	68
D	D	D	D	C	C	C	D	D	D	D
291	210	210	210	164,1	164,1	164,1	150	150	150	150
600	410	410	410	320,4	320,4	320,4	390	390	390	390
795	605	605	605	391,5	391,5	391,5	-	-	-	-
46	47	47	47	44	44	44	45	45	45	45
64	64	64	64	62	62	62	57	57	57	57
69	70	70	70	65	65	65	-	-	-	-
0,3	0,4	0,4	0,4	0,45	0,45	0,45	0	0	0	0
-	-	-	-	-	-	-	0	0	0	0
0,5	0,8	0,8	0,8	1,1	1,1	1,1	1,6	1,6	1,6	1,6
27,5	39,2	39,2	39,2	41,5	41,5	41,5	78,2	78,2	78,2	78,2
332,82	275,2	275,2	275,2	164,6	164,6	164,6	198,2	198,2	198,2	198,2
251,41	263	263	263	152	152	152	148	148	148	148
79,03	58,6	58,6	58,6	27,9	27,9	27,9	68,6	68,6	68,6	68,6
3	3	3	3	3	3	3	7	7	7	7
79	67	67	67	54	54	54	252	252	252	252
600	600	600	600	600	600	600	600	600	900	700
300-350	300-350	300-350	300-350	300-350	300-350	300-350	280	280	300	300
221,5	221,5	221,5	221,5	181,5	181,5	181,5	180	180	180	180
221,5	221,5	221,5	221,5	181,5	181,5	181,5	180	180	180	180
150	150	150	150	150	150	150	150	150	150	150
BT4DC	T1DC	T1DC	T1DC	EY400	EY400	EY400	TF 2003	TF 2003	TF 2003	TF 2003
5+1	5+1	5+1	5+1	5+1	5+1	5+1	5+1	5+1	5+1	5+1
135	90	90	90	55	55	55	100	100	100	100
357	250	250	250	243	243	243	194	194	194	194
365	315	315		362	362	362	-	-	-	-
TCD6i	TCD6i	TCD6i	TCD6i	TC TFH4i	TC TFH4i	TC TFH4i	Rocker Switch	Rocker Switch	Rocker Switch	Rocker Switch
√	√	√	√	√	√	√	-	-	-	-
√	√	√	√	√	√	√	-	-	-	-
Metallic	Metallic	Metallic	Metallic	Metallic	Metallic	Metallic	Metallic	Metallic	Metallic	Metallic
2	2	2	2	2	2	2	2	2	2	2
-	-	-	-	-	-	-	√	√	√	√
SS Led	SS Led	SS Led	SS Led	SS Led	SS Led	SS Led	Ecoled	Ecoled	Ecoled	Ecoled
√	√	√	√	√	√	√	-	-	-	-
1	1	1	1	1	1	1	2	2	2	2
550	550	550	550	550	550	550	550	550	550	550
650	650	650	650	650	650	650	650	650	650	650
BOTH	BOTH	BOTH	BOTH	BOTH	BOTH	BOTH	BOTH	BOTH	BOTH	BOTH
√	√	√	√	√	√	√	√	√	√	√
138	93	93	93				107	107	107	107
220-240	220-240	220-240	220-240	220-240	220-240	220-240	220-240	220-240	220-240	220-240
50-60	50	50	50	50	50	50	50	50	50	50
CLASS I	CLASS I	CLASS I	CLASS I	CLASS I	CLASS I	CLASS I	CLASS I	CLASS I	CLASS I	CLASS I
-	-	-	-	-	-	-	-	-	-	-
02861300	02861300	02861300	02861300	02861300	02861300	02861300	02861300	02861300	02861300	02861300
	-	-	-	-	-	-	-	-	-	-
02861401	02861401	02861401	02861401	02861401	02861401	02861401	02861401	02861401	02861401	02861401
	-	-	-	-	-	-	-	-	-	-
02832004	02832004	02832004	02832004	02832004	02832004	02832004	02849003	02849003	02849003	02849003
	-	-	-	-	-	-	-	-	-	-
02825279	02825279	02825279	02825279	02825279	02825279	02825279	02825272*	02825272*	02825278	02825277
02800922 / 02800927	02800922 / 02800927	02800922 / 02800927	02800922 / 02800927	02800922 / 02800927	02800922 / 02800927	02800922 / 02800927	02800922 / 02800927	02800922 / 02800927	02800922 / 02800927	02800922 / 02800927
02859398	02859398	02859398	02859398	02859398	02859398	02859398	0859398	02859398	0859398	02859398
02893002	02893002	02893002	02893002	02893002	02893002	02893002	-	-	-	-

Code	02017606	02094305	02089305	02017305	02034310	02034501	02034606
EAN	8422248110334	8422248061964	8422248061971	8422248061988	8422248082129	8422248082136	8422248101998
Model	EXTENDER 600	TF-2003 DURALUM 900	TF-2003 DURALUM 700	TF-2003 DURALUM 600	TF-5260 X	TF-5260 WH	TFB-5160 X
Type	Telescopic	Telescopic	Telescopic	Telescopic	Telescopic	Telescopic	Telescopic
Product fiche according to directives EU65/2014 - EN61591, EN60704-2-13, EN50564							
AEC (Annual Energy consumption) (kWh/annum)	44,5	46,3	44,5	44,5	78,3	78,3	36,5
EEL class (Energy Efficiency Class)	C	C	C	C	D	D	C
FDE (Fluid Dynamic Efficiency)	11,9	10,1	11,9	11,9	9	9	8,86
FDE class (Fluid Dynamic Efficiency Class)	E	E	E	E	E	E	E
LE (Lighting Efficiency) (lux/W)	36	36	36	36	9,3	9,3	43,9
LE class (Lighting Efficiency Class)	A	A	A	A	E	E	A
GFE (Grease Filtering Efficiency)	68	68	68	68	66,5	66,5	60,6
GFE Class (Grease Filtering Efficiency class)	D	D	D	D	D	D	E
Air flow at minimum speed (m ³ /h)	150	150	150	150	174,8	174,8	158,4
Air flow at maximum speed (m ³ /h)	390	390	390	390	325,1	325,1	297,2
Air flow at intensive speed (TURBO) (m ³ /h)	-	-	-	-	-	-	-
Sound Power Level at minimum speed (dB)	45	45	45	45	54	54	47,8
Sound Power Level at maximum speed (dB)	57	57	57	57	68	68	61,1
Sound Power Level at intensive speed (TURBO) (dB)	-	-	-	-	-	-	-
Po (Power Consumption in off mode) (W)	0	0	0	0	0	0	0
Ps (Power Consumption in standby) (W)	0	0	0	0	0	0	-
Integration directive EU 66/2014							
f (Time Increase Factor)	1,6	1,6	1,6	1,6	1,7	1,7	1,68
EEL (Energy Efficiency Index)	78,2	81,1	78,2	78,2	93,5	93,5	76,34
QBEP (Flow Rate at Best Efficiency Point) (m ³ /h)	198,2	201,1	198,2	198,2	198	198	158,4
PBEP (Static Pressure Difference at Best Efficiency Point) (Pa)	148	125	148	148	185	185	115,03
WBEP (Electric Power Input at Best Efficiency Point) (W)	68,6	69	68,6	68,6	113,3	113,3	57,11
WL (Nominal Power Consumption of Lighting system) (W)	7	7	7	7	11	11	2
EMIDDLE (Average Illumination of Lighting system on Cooking surface) (lux)	252	252	252	252	102	102	87,8
External Dimensions							
Width (mm)	600	900	700	600	600	600	595
Depth (mm)	300	280	280	280	280	280	297
Total max height(mm)	180	180	180	180	175	175	200
Total min height(mm)	180	180	180	180	175	175	225
Outlet Diameter (mm)	150	150	150	150	150	150	150
Characteristics							
Motor	TF 2003	TF 2003	TF 2003	TF 2003	2 x L1N	2 x L1N	TT300
Extraction Levels	5+1	5+1	5+1	5+1	5+1	5+1	5+1
Motor Maximum Power Consumption	100	100	100	100	2 x 65	2 x 65	65
Maximum Pressure	194	194	194	194	301	301	170
Intensive Speed (TURBO) Pressure	-	-	-	-	-	-	-
Control Type	Rocker Switch	Rocker Switch	Rocker Switch	Rocker Switch	Slider	Slider	Rocker Switch
Automatic shut-down timer	-	-	-	-	-	-	-
Electronic Filter Saturation Indicator	-	-	-	-	-	-	-
Filter Type	Metallic	Metallic	Metallic	Metallic	Metallic	Metallic	Metallic
Anti-grease Filter Number	2	2	2	2	2	2	2
Inner Shield	√	√	√	√	-	-	-
Lighting							
Light Type	Ecoled	Ecoled	Ecoled	Ecoled	LED E-14	LED E-14	CSLED
Adjustable Intensity Lighting	-	-	-	-	-	-	-
N° of Lamps	2	2	2	2	2	2	1
Installation							
Minimum height distance to a electric worktop hob (mm)	550	550	550	550	550	550	550
Minimum height distance to a gas worktop hob (mm)	650	650	650	650	650	650	650
Installation with Outlet tube to the exterior / Recirculating	BOTH	BOTH	BOTH	BOTH	BOTH	BOTH	BOTH
Easy Installation System	√	√	√	√	√	√	√
Electric Connection							
Total Rush Power (W)	107	107	107	107	141	141	67
Rated Voltage (V)	220-240	220-240	220-240	220-240	220-240	220-240	220-240
Network Frequency (Hz)	50	50	50	50	50	50	50 / 60
Electrical Insulation Class	CLASS I	CLASS I	CLASS I	CLASS I	CLASS II	CLASS II	CLASS I
Plug	-	-	-	-	EU 2 Pins	EU 2 Pins	VDE
Accessories							
Upper Decorative tube Extension	02861300	02861300	02861300	02861300	02861300	02861300	02861300
White Decorative Tube	-	-	-	-	-	-	-
Black Decorative Tube	02861401	02861401	02861401	02861401	02861401	02861401	02861401
Island Tube Enhancer	-	-	-	-	-	-	-
Check Valve	02849003	02849003	02849003	02849003	02849002	02849002	-
MAX PRO Metal Filter	-	-	-	-	-	-	-
Metal Filter	02825276	02825273*	02825274*	02825272*	02825270	02825270	02800981
DUAL Filter (metal + active charcoal)	02800922 / 02800927	02800922 / 02800927	02800922 / 02800927	02800922 / 02800927	02800922 / 02800927	02800922 / 02800927	02800922 / 02800927
Active Charcoal Filter	02859398	02859398	02859398	02859398	02859398	02859398	02859398
Noiseless Flexible Duct	-	-	-	-	-	-	-

02034408	02034107	02097306	02097305	02097002	02033309	02034604	02034505	02001301
8422248108096	8422248102001	8422248102018	8422248086264	8422248086271	8422248086059	8422248357234	8422248357227	8422248062039
TFB-5160 BK	TFB-5160 WH	TFB-5150 X	TF-5250 X	TF-5250 WH	TF-5060 X	TFK 6005 X	TFK 6005 WH	S-BOX X
Telescopic	Telescopic	Telescopic	Telescopic	Telescopic	Telescopic	Telescopic	Telescopic	Standard
36,5	36,5	31,1	78,3	78,3	38,5	32,1	32,1	52,5
C	C	C	D	D	C	B	B	C
8,86	8,86	11,7	9	9	10,4	20,6	20,6	11,9
E	E	E	E	E	E	C	C	E
43,9	43,9	46	9,3	9,3	11,8	35,6	35,6	4,9
A	A	A	E	E	E	A	A	F
60,6	60,6	62,6	66,5	66,5	59,6	70	70	68
E	E	E	D	D	E	D	D	D
158,4	158,4	179,6	174,8	174,8	95,8	186	186	150
297,2	297,2	319,6	325,1	325,1	196,8	360	360	390
-	-	-	-	-	-	-	-	-
47,8	47,8	51	54	54	46	54	54	45
61,1	61,1	62	68	68	62	68	68	57
-	-	-	-	-	-	-	-	-
0	0	0	0	0	0	0	0	0
-	-	-	0	0	0	0	0	0
1,68	1,68	1,6	1,7	1,7	1,6	1,3	1,3	1,6
76,34	76,34	70,2	93,5	93,5	75,8	62,2	62,2	83,4
158,4	158,4	173,7	198	198	122,6	203,8	203,8	198,2
115,03	115,03	123	185	185	180	229,1	229,1	148
57,11	57,11	50,8	113,3	113,3	59,1	63	63	68,6
2	2	2	11	11	5,5	3	3	18
87,8	87,8	92	102	102	65	107	107	89
595	595	495	600	600	600	600	600	600
297	297	297	280	280	280	280	280	500
200	200	200	175	175	175	180	180	142
225	225	225	175	175	175	180	180	142
150	150	150	150	150	150	150	150	150
TT300	TT300	TT300	2 x L1N	2 x L1N	1 x L1N	K11	K11	TF 2003
5+1	5+1	5+1	5+1	5+1	5+1	3	3	5+1
65	65	65	2 x 65	2 x 65	65	95	95	100
170	170	170	301	301	205	251	251	194
-	-	-	-	-	-	-	-	-
Rocker Switch	Rocker Switch	Rocker Switch	Slider	Slider	Slider	Slider	Slider	Mechanic
-	-	-	-	-	-	-	-	-
-	-	-	-	-	-	-	-	-
Metallic	Metallic	Metallic	Metallic	Metallic	Metallic	Metallic	Metallic	Metallic
2	2	2	2	2	2	2	2	2
-	-	√	-	-	-	-	-	-
CSLED	CSLED	CSLED	LED E-14	LED E-14	LED E-14	CSLED	CSLED	E-14 9W
-	-	-	-	-	-	-	-	-
1	1	1	2	2	1	1	1	2
550	550	550	550	550	550	550	550	550
650	650	650	650	650	650	650	650	650
BOTH	BOTH	BOTH	BOTH	BOTH	BOTH	BOTH	BOTH	BOTH
√	√	√	√	√	√	√	√	√
67	67	67	141	141	70,5	98	98	118
220-240	220-240	220-240	220-240	220-240	220-240	220-240	220-240	220-240
50 / 60	50 / 60	50 / 60	50	50	50	50	50	50
CLASS I	CLASS I	CLASS I	CLASS II	CLASS II	CLASS II	CLASS II	CLASS II	CLASS I
VDE	VDE	VDE	EU 2 Pins	EU 2 Pins	EU 2 Pins	-	-	-
02861300	02861300	02861300	02861300	02861300	02861300	-	-	02861300
-	-	-	-	-	-	-	-	-
02861401	02861401	02861401	02861401	02861401	02861401	-	-	02861401
-	-	-	-	-	-	-	-	-
-	-	-	02849002	02849002	02849002	02849002	02849002	02849003
-	-	-	-	-	-	-	-	-
02800981	02800981	02800977	02825270	02825270	02825270	02825270	02825270	02800912*
02800922 / 02800927	02800922 / 02800927	02800922 / 02800927	02800922 / 02800927	02800922 / 02800927	02800922 / 02800927	02800922 / 02800927	-	02800922 / 02800927
02859398	02859398	02859398	02859398	02859398	02859398	02859489	02859489	02859398
-	-	-	-	-	-	-	-	-

Code	02011602	02011117	02015306	02015006	02014302	02011604	02011504
EAN	8422248357180	8422248357197	8422248086103	8422248086110	8422248168946	8422248357241	8422248357258
Model	LFK 6000 X	LFK 6000 WH	F-2050 X	F-2050 WH	F-2290 X	FK SLIM 6000 X	FK SLIM 6000 BK
Type	Standard	Standard	Standard	Standard	Standard	Standard	Standard
Product fiche according to directives EU65/2014 - EN61591, EN60704-2-13, EN50564							
AEC (Annual Energy consumption) (kWh/annum)	29,6	29,6	44,7	44,7	-	29,6	29,6
EEL class (Energy Efficiency Class)	B	B	C	C	-	B	B
FDE (Fluid Dynamic Efficiency)	11,5	11,5	9,2	9,2	-	11,5	11,5
FDE class (Fluid Dynamic Efficiency Class)	E	E	E	E	-	E	E
LE (Lighting Efficiency) (lux/W)	15,5	15,5	27,3	27,3	-	15,5	15,5
LE class (Lighting Efficiency Class)	D	D	B	B	-	D	D
GFE (Grease Filtering Efficiency)	67,7	67,7	67,7	67,7	-	67,7	67,7
GFE Class (Grease Filtering Efficiency class)	D	D	D	D	-	D	D
Air flow at minimum speed (m ³ /h)	108	108	107,5	107,5	-	108	108
Air flow at maximum speed (m ³ /h)	162	162	193,5	193,5	-	162	162
Air flow at intensive speed (TURBO) (m ³ /h)	-	-	-	-	-	-	-
Sound Power Level at minimum speed (dB)	49	49	56	56	-	49	49
Sound Power Level at maximum speed (dB)	58	58	68	68	-	58	58
Sound Power Level at intensive speed (TURBO) (dB)	-	-	-	-	-	-	-
Po (Power Consumption in off mode) (W)	0	0	0	0	-	0	0
Ps (Power Consumption in standby) (W)	0	0	0	0	-	0	0
Integration directive EU 66/2014							
f (Time Increase Factor)	1,6	1,6	1,7	1,7	-	1,6	1,6
EEL (Energy Efficiency Index)	69,2	69,2	82,2	82,2	-	69,2	69,2
QBEP (Flow Rate at Best Efficiency Point) (m ³ /h)	91,5	91,5	105,2	105,2	-	91,5	91,5
PBEP (Static Pressure Difference at Best Efficiency Point) (Pa)	211,9	211,9	209	209	-	211,9	211,9
WBEP (Electric Power Input at Best Efficiency Point) (W)	47	47	201	201	-	47	47
WL (Nominal Power Consumption of Lighting system) (W)	3	3	5,5	5,5	-	3	3
EMIDDLE (Average Illumination of Lighting system on Cooking surface) (lux)	46,5	46,5	150	150	-	46,5	46,5
External Dimensions							
Width (mm)	600	600	600	600	900	600	600
Depth (mm)	425	425	470	470	470	470	470
Total max height(mm)	85	85	112	112	150	112	112
Total min height(mm)	85	85	112	112	150	112	112
Outlet Diameter (mm)	150	150	150	150	150	150	150
Characteristics							
Motor	L1B	L1B	L1N	L1N	TF	L1B	L1B
Extraction Levels	2	2	5+1	5+1	5+1	3	3
Motor Maximum Power Consumption	55	55	60	60	2 x 125	55	55
Maximum Pressure	318	318	325	325	179	318	318
Intensive Speed (TURBO) Pressure	-	-	-	-	-	-	-
Control Type	Rocker	Rocker	Mechanic	Mechanic	Slider	Mechanic	Mechanic
Automatic shut-down timer	-	-	-	-	-	-	-
Electronic Filter Saturation Indicator	-	-	-	-	-	-	-
Filter Type	Acrylic	Acrylic	Aluminium Mesh	Aluminium Mesh	Aluminium Mesh	Aluminium Mesh	Aluminium Mesh
Anti-grease Filter Number	1	1	1	1	1	1	1
Inner Shield	-	-	-	-	-	-	-
Lighting							
Light Type	E14	E14	LED E-14	LED E-14	Halogen E-14	E14	E14
Adjustable Intensity Lighting	-	-	-	-	-	-	-
N° of Lamps	1	1	1	1	2	1	1
Installation							
Minimum height distance to a electric worktop hob (mm)	550	550	550	550	550	550	550
Minimum height distance to a gas worktop hob (mm)	650	650	650	650	650	650	650
Installation with Outlet tube to the exterior / Recirculating	BOTH	BOTH	BOTH	BOTH	BOTH	BOTH	BOTH
Easy Installation System	√	√	√	√	√	√	√
Electric Connection							
Total Rush Power (W)	58	58	65,5	65,5	306	58	58
Rated Voltage (V)	220-240	220-240	220-240	220-240	220-240	220-240	220-240
Network Frequency (Hz)	50	50	50	50	50	50	50
Electrical Insulation Class	CLASS I	CLASS I	CLASS I	CLASS I	CLASS II	CLASS I	CLASS I
Plug	-	-	-	-	EU 2 Pins	-	-
Accessories							
Upper Decorative tube Extension	-	-	02861300	02861300	02861300	-	-
White Decorative Tube	-	-	-	-	-	-	-
Black Decorative Tube	-	-	02861401	02861401	02861401	-	-
Island Tube Enhancer	-	-	-	-	-	-	-
Check Valve	02849002	02849002	02849002	02849002	02849002	02849002	02849002
MAX PRO Metal Filter	-	-	-	-	-	-	-
Metal Filter	02833170	02833170	02833162	02833162	02833162	02833162	02833162
DUAL Filter (metal + active charcoal)	-	-	02800922 / 02800927	02800922 / 02800927	02800922 / 02800927	-	-
Active Charcoal Filter	02846764	02846764	02859398	02859398	02859398	02846763	02846763
Noiseless Flexible Duct	-	-	-	-	-	-	-

02011204	00117000	00117100	00117400	00116110	00116002	00116400	00114102	00111002
8422248357265	8422248100816	8422248100823	8422248010832	8422248006316	8422248100601	8422248357371	8422248100403	8422248100830
FK SLIM 6000 WH	ASP.CENTRIFUGO, PROFESSIONAL-750	ASP.CENTRIFUGO PROFESSIONAL 750 L	ASP.CENTRIFUGO, PROFESSIONAL 500 (GW)	ASP.CENTRIFUGO, GS-600 PLUS 2 VEL.	ASP.CENTRIFUGO, GS-600	ASP.CENTRIFUGO, GS-600 BK	ASP.CENTRIFUGO, GS-400 M	ASP.CENTRIFUGO, GS-400 P
Standard	Kitchen Extractor	Kitchen Extractor	Kitchen Extractor	Kitchen Extractor	Kitchen Extractor	Kitchen Extractor	Kitchen Extractor	Kitchen Extractor
29,6	54	155,9	69,3	54,8	51,7	51,7	29,2	30,3
B	C	D	D	C	C	C	B	B
11,5	9,5	5,1	5,1	9,3	12,5	12,5	10,7	10,5
E	E	F	F	E	E	E	E	E
15,5	-	1,5	-	-	-	-	-	-
D	-	G	-	-	-	-	-	-
67,7	53,7	53,7	51,9	51,9	-	-	-	-
D	F	F	F	F	-	-	-	-
108	-	-	-	420	-	-	-	-
162	600	600	450	600	480	480	290	290
-	-	-	-	-	-	-	-	-
49	-	-	-	45	-	-	-	-
58	49	49	57	52	50	50	52	52
-	-	-	-	-	-	-	-	-
0	0	0	0	0	0	0	0	0
0	0	0	0	0	0	0	0	0
1,6	1,7	1,8	1,8	1,7	1,6	1,6	1,6	1,6
69,2	86	109,9	95,2	84,5	78,9	78,9	68,7	69,7
91,5	287,3	287,3	134,6	285,9	311,7	311,7	163,2	174,2
211,9	106	106	142	105	131,6	131,6	117	110,6
47	89,1	169,1	104,6	90,1	91,4	91,4	49,6	51,1
3	-	56	-	-	-	-	-	-
46,5	-	82	-	-	-	-	-	-
600	356	356	260	355	375	375	250	240
470	235	235	173	134	136	136	125	120
112	-	-	-	-	-	-	-	-
112	650	650	650	650	650	650	650	650
150	120	120	100	120	125	125	110	110
L1B	Inducción	Inducción	Inducción	Inducción	Inducción	Inducción	Inducción	Inducción
3	1	1	1	2	1	1	1	1
55	105W	105W	125W	105W	105W	105W	60W	60W
318	190	190	235	205	200	200	210	225
-	-	-	-	-	-	-	-	-
Mechanic	-	-	-	Conmutador	-	-	-	-
-	-	-	-	-	-	-	-	-
-	-	-	-	-	-	-	-	-
Aluminium Mesh	Metálico	Metálico	Metálico	Metálico	-	-	-	-
1	1	1	1	1	-	-	-	-
-	-	-	-	-	-	-	-	-
E14	-	E-14 x 28W	-	-	-	-	-	-
-	-	-	-	-	-	-	-	-
1	-	2	-	-	-	-	-	-
550	65	65	65	65	65	65	65	65
650	65	65	65	65	65	65	65	65
BOTH	EXTERIOR	EXTERIOR	EXTERIOR	EXTERIOR	EXTERIOR	EXTERIOR	EXTERIOR	EXTERIOR
√	√	√	√	√	√	√	√	√
58	105	161	125	105	105	105	60	60
220-240	230	230	230	230	230	230	230	230
50	50	50	50	50	50	50	50	50
CLASS I	CLASE I	CLASE I	CLASE II	CLASE I	CLASE I	CLASE I	CLASE I	CLASE I
-	-	-	-	-	-	-	-	-
-	-	-	-	-	-	-	-	-
-	-	-	-	-	-	-	-	-
-	-	-	-	-	-	-	-	-
02849002	-	-	-	-	-	-	-	-
-	-	-	-	-	-	-	-	-
02833162	01140700*	01140700*	01140801*	01100000*	-	-	-	-
-	-	-	01140800	-	-	-	-	-
02846763	-	-	-	-	-	-	-	-
-	-	-	-	-	-	-	-	-

Code	07047400	07002411	07002412	07001006	07001509	07001010	07001405
EAN	8422248080637	8422248094009	8422248094016	8422248103350	8422248347846	8422248347679	8422248347655
Model	MT 9011 PRO BK	MT 8012 BK	MT 8012 WH	PR 6011 XGBK	MDS 8008 X AIR FRYER	MDS 8008 WH	MDS 8008 BK
Type	Multifunction Turbo	Multifunction Turbo	Multifunction Turbo	Multifunción PYRO	Multifunction Turbo	Multifunction Turbo	Multifunction Turbo
Product fiche according to EU 65/2014 y EU 66/2014							
Energy efficiency index (IEE)	86,6	86,6	86,6	94	117	117	117
Energy efficiency Class	A	A	A	A	A	A	A
Energy consumption in conventional mode [kWh/cycle]	0,71	0,71	0,71	0,99	0,85	0,85	0,85
Energy consumption in fan-forced mode [kWh/cycle]	0,81	0,81	0,81	0,79	0,84	0,84	0,84
Number of cavities	1	1	1	1	1	1	1
Heat source	Electricity	Electricity	Electricity	Electricity	Electricity	Electricity	Electricity
Mass of the appliance [Kg]	39,5	39,5	39,5	39	30,9	30,8	30,4
Cavity volume (L)	72	72	72	70	80	80	80
Dimensions							
Width [mm]	595	595	595	595	595	595	595
Height [mm]	595	595	595	595	595	595	595
Depth [mm]	568	568	568	575	543	543	543
Cavity width [mm]	346,5	346,5	346,5	487	477	477	477
Cavity height [mm]	457	457	457	350	394	394	394
Cavity depth [mm]	410	410	410	420	425	425	425
Characteristics							
Finishing	Black glass	Black glass	White glass	Stainles steel and black glass	Stainles steel and black glass	White glass	Black glass
Soft Door closing	Yes	Yes	Yes	No	No	No	No
Tray levels	5	5	5	5	6	6	6
Convection Fan	Yes	Yes	Yes	Yes	Yes	Yes	Yes
Number of light bulbs	1	1	1	1	1	1	1
Controls							
Oven control	Electronic	Electronic	Electronic	Electronic	Electronic - Mechanic	Electronic - Mechanic	Electronic - Mechanic
Control type	Tactile digital screen 5"	Touch control	Touch control	Touch with push-pull knobs	Touch with push-pull knobs	Touch with push-pull knobs	Touch with push-pull knobs
Screen Technology	TFT	LCD	LCD	White LCD	LED	LED	LED
Cooking programmer start/stop	Yes	Yes	Yes	Yes	-	-	-
Cooking programmer stop	-	-	-	Yes	-	-	-
Minute minder	-	-	-	-	Yes	Yes	Yes
Working pilot light	Yes	Yes	Yes	-	Yes	Yes	Yes
Thermostat pilot light	Yes	Yes	Yes	Yes	Yes	Yes	Yes
Min. temperature [°C]	50	50	50	50	40	40	40
Max. Temperature [°C]	250	250	250	250	240	240	240
Cleaning							
Enamel	Non-stick black	Non-stick black	Non-stick black	black pyrolytic	Non-stick black	Non-stick black	Non-stick black
Cavity type	Flat	Flat	Flat	Flat	Flat	Flat	Flat
Inner glass	Removable	Removable	Removable	Removable	Removable	Removable	Removable
Pyrolytic Cleaning	-	-	-	Yes	No	No	No
AquaSmart Cleaning	Automatic	Automatic	Automatic	Manual	Yes	Yes	Yes
Functions							
Functions	14	12	12	11	8	8	8
Rapid heating	Yes	Yes	Yes	No	No	No	No
Inner light	Yes	Yes	Yes	Yes	Yes	Yes	Yes
Safety							
Safety lock	Yes	Yes	Yes	Yes	Yes	Yes	Yes
Number of door glasses	3	3	3	4	2	2	2
Cooling fan	Yes	Yes	Yes	Yes	Yes	Yes	Yes
Security Thermostat	Yes	Yes	Yes	Yes	Yes	Yes	Yes
Electrical connection							
Grill power [W]	2250	2250	2250	2000	1000+2000	1000+2000	1000+2000
Bottom heating element power [W]	1100	1100	1100	1100	900	900	900
Back heating element power [W]	2000	2000	2000	2000	2300	2300	2300
Total rated Power [W]	2380	2380	2380	3200	2300	2300	2300
Nominal voltage [V] / Mains frequency [Hz]	230-240 / 50-60	230-240 / 50-60	230-240 / 50-60	220-240 / 50/60	220-240 / 50/60	220-240 / 50/60	220-240 / 50/60
Light power [W]	25	25	25	25	15	15	15
Power cord length [m]	1	1	1	1	1,5	1,5	1,5
Plug	No	No	No	Yes	No	No	No
Accessories							
Air fry tray	-	-	-	-	1	-	-
Side racks	1	1	1	1	1	1	1
Grill	1	1	1	1	1	1	1
Shallow tray	1	1	1	1	1	1	1
Deep tray	1	1	1	-	1	1	1
Sliding rails	1	1	1	1	PSC-50%	PSC-50%	PSC-50%
Turnspit	-	-	-	-	-	-	-
Pizza Stone (optional)	Yes	Yes	Yes	-	No	No	No
Gas connection hose	-	-	-	-	-	-	-

07001508	07034101	07034508	07034605	07044609	07033303	07007303	07044350	07044105	07044614	07044613
8422248347662	8422248347709	8422248347693	8422248347686	8422248347716	8422248076029	8422248075886	8422248347297	8422248347730	8422248347839	8422248347754
MDS 8008 X	MDS 8007 WH	MDS 8007 BK	MDS 8007 X	MES 8007 X	MD6106X	ME6206X	SES 7104 X /C	SES 6204 WH	SES 6004 BK	SES 6004 WH
Multifunction Turbo	Multifunción	Multifunción	Multifunción	Multifunción	Multifunción	Multifunción	Static	Static	Static	Static
117	86.6	86.6	86.6	86.6	117,1 / 106,6	102	95.2	95.2	95.2	95.2
A	A	A	A	A	A	A	A	A	A	A
0,85	0,85	0,85	0,85	0,85	0,82	0,81	0,78	0,79	0,77	0,77
0,84	0,84	0,84	0,84	0,84	0,79	0,89	-	-	-	-
1	1	1	1	1	1	1	1	1	1	1
Electricity	Electricity	Electricity	Electricity	Electricity	Electricity	Electricity	Electricity	Electricity	Electricity	Electricity
30.9	30.6	30.6	30.6	29.4	28	28	29	26.6	24,1	24,1
80	80	80	80	80	60	60	78	66	62	62
595	595	595	595	595	595	595	595	595	595	595
595	595	595	595	595	595	595	595	595	595	595
543	543	543	543	543	507	507	547	543	543	543
477	477	477	477	477	450	450	450	440	440	440
394	394	394	394	394	330	330	330	316	316	316
425	425	425	425	425	440	410	480	444	444	444
Stainless steel and Black glass	White glass	Black glass	Stainless steel and Black glass	Stainless steel and Black glass	Stainless steel and black glass	Stainless steel and black glass	Stainless steel and Black glass	White glass	Black glass	White glass
No	No	No	No	No	No	No	No	No	No	No
6	6	6	6	6	5	5	5	4	4	4
Yes	Yes	Yes	Yes	Yes	Yes	Yes	No	No	No	No
1	1	1	1	1	1	1	1	1	1	1
Electronic - Mechanic	Electronic - Mechanic	Electronic - Mechanic	Electronic - Mechanic	Mechanic	Electronic	Mechanic	Mechanic	Mechanic	Mechanic	Mechanic
Touch with push-pull knobs	Knobs	Knobs	Knobs	Knobs	Touch control	Knobs	Knobs	Knobs	Knobs	Knobs
LED	LED	LED	LED	-	-	-	-	-	-	-
-	-	-	-	-	Yes	-	-	-	-	-
-	-	-	-	-	Yes	Yes	-	-	-	-
Yes	Yes	Yes	Yes	Yes	-	-	Yes	Yes	No	No
Yes	Yes	Yes	Yes	Yes	No	No	Yes	Yes	Yes	Yes
Yes	Yes	Yes	Yes	Yes	Yes	Yes	Yes	Yes	Yes	Yes
40	40	40	40	40	50	50	50	40	40	40
240	240	240	240	240	250	250	250	240	240	240
Non-stick black	Non-stick black	Non-stick black	Non-stick black	Non-stick black	Non-stick black	Non-stick black	Non-stick black	Non-stick black	Non-stick black	Non-stick black
Flat	Flat	Flat	Flat	Flat	Embossed	Flat	Embossed	Embossed	Embossed	Embossed
Removable	Removable	Removable	Removable	Removable	Removable	Removable	Removable	Removable	Removable	Removable
No	No	No	No	No	-	-	No	No	No	No
Yes	No	No	No	No	Manual	Manual	Yes	Yes	Yes	Yes
8	7	7	7	7	6	7	4	4	4	4
No	No	No	No	No	No	No	No	No	No	No
Yes	Yes	Yes	Yes	Yes	Yes	Yes	Yes	Yes	Yes	Yes
Yes	No	No	No	No	No	No	No	No	No	No
2	2	2	2	2	2	2	2	2	2	2
Yes	Yes	Yes	Yes	Yes	Yes	Yes	Yes	Yes	Yes	Yes
Yes	Yes	Yes	Yes	Yes	Yes	Yes	Yes	Yes	Yes	Yes
1000+2000	1000+2000	1000+2000	1000+2000	1000+2000	2250	2250	1000+2000	1000+2000	1000+2000	1000+2000
900	-	-	-	-	1100	1100	1200	1200	1200	1200
2300	2300	2300	2300	2300	-	-	-	-	-	-
2300	2300	2300	2300	2300	2180	2180	2300	2300	2300	2300
220-240 / 50/60	220-240 / 50/60	220-240 / 50/60	220-240 / 50/60	220-240 / 50/60	220-240 / 50/60	220-240 / 50/60	220-240 / 50/60	220-240 / 50/60	220-240 / 50/60	220-240 / 50/60
15	15	15	15	15	15	15	15	15	15	15
1,5	1,5	1,5	1,5	1,5	1,4	1,4	0,9	1,5	1,5	1,5
No	No	No	No	No	No	No	No	No	No	No
-	-	-	-	-	-	-	-	-	-	-
1	1	1	1	1	1	1	1	-	-	-
1	1	1	1	1	1	1	1	1	-	-
1	1	1	1	1	-	-	-	-	1	1
1	1	1	1	1	1	1	1	1	-	-
PSC-50%	PSC-50%	PSC-50%	PSC-50%	PSC-50%	-	-	-	-	-	-
-	-	-	-	-	-	-	-	-	-	-
No	No	No	No	No	No	No	No	No	No	No
-	-	-	-	-	-	-	-	-	-	-

Code	07044351	07044600	07035409	07035009	07003307	07003000	07003305
EAN	8422248347235	8422248075831	8422248077026	8422248077033	8422248067881	8422248067898	8422248067867
Model	SES 7004 X /C	SE6204X	MRA7108BK	MRA7108WH	CMD5008X	MD 5008 WH	ME4006X
Type	Static	Static	Multifunción	Multifunción	Multifunction Turbo	Multifunction Turbo	Multifunción
Product fiche according to EU 65/2014 y EU 66/2014							
Energy efficiency index (IEE)	95,2	117,1	93,8	93,8	97,2	97,2	97,2
Energy efficiency Class	A	A	A	A	A	A	A
Energy consumption in conventional mode [kWh/cycle]	0,76	0,79	0,76	0,76	0,7	0,7	0,7
Energy consumption in fan-forced mode [kWh/cycle]	-	-	0,75	0,75	0,71	0,71	0,71
Number of cavities	1	1	1	1	1	1	1
Heat source	Electricity	Electricity	Electricity	Electricity	Electricity	Electricity	Electricity
Mass of the appliance [Kg]	25	28	28	28	30,4	30,4	30,4
Cavity volume (L)	65	65	60	60	40	40	40
Dimensions							
Width [mm]	595	595	595	595	456	456	456
Height [mm]	595	595	595	595	595	595	595
Depth [mm]	507	507	565	565	502	502	502
Cavity width [mm]	450	450	472	472	260	260	260
Cavity height [mm]	330	330	316	316	450	450	450
Cavity depth [mm]	440	440	400	400	456	456	456
Characteristics							
Finishing	Stainless steel and Black glass	Stainless steel and black glass	Black glass	White glass	Stainless steel	White glass	Stainless steel
Soft Door closing	No	No	No	No	No	No	No
Tray levels	5	5	5	5	4	4	4
Convection Fan	No	No	Yes	Yes	Yes	Yes	Yes
Number of light bulbs	1	1	1	1	1	1	1
Controls							
Oven control	Mechanic	Mechanic	Mechanic	Mechanic	Electronic	Electronic	Mechanic
Control type	Knobs	Knobs	Knobs	Knobs	Touch with push-pull knobs	Touch with push-pull knobs	Knobs
Screen Technology	-	-	-	-	LCD	LCD	-
Cooking programmer start/stop	-	-	-	-	Yes	Yes	-
Cooking programmer stop	-	Yes	-	-	-	-	-
Minute minder	No	-	Yes	Yes	-	-	No
Working pilot light	Yes	No	No	No	Yes	Yes	Yes
Thermostat pilot light	Yes	Yes	Yes	Yes	Yes	Yes	Yes
Min. temperature [°C]	50	50	40	40	50	50	50
Max. Temperature [°C]	250	250	240	240	250	250	250
Cleaning							
Enamel	Non-stick black	Non-stick black	Non-stick black	Non-stick black	Non-stick black	Non-stick black	Non-stick black
Cavity type	Embossed	Embossed	Flat	Flat	Flat	Flat	Embossed
Inner glass	Removable	Removable	Removable	Removable	Fixed	Fixed	Fixed
Pyrolytic Cleaning	No	-	-	-	-	-	-
AquaSmart Cleaning	Yes	Manual	No	No	Manual	Manual	Manual
Functions							
Functions	4	4	7	7	8	6	6
Rapid heating	No	No	No	No	No	No	No
Inner light	Yes	Yes	No	No	Yes	Yes	Yes
Safety							
Safety lock	No	No	No	No	No	No	No
Number of door glasses	2	2	2	2	3	3	3
Cooling fan	Yes	No	Yes	Yes	Yes	Yes	Yes
Security Thermostat	Yes	Yes	Yes	Yes	Yes	Yes	Yes
Electrical connection							
Grill power [W]	1000+2000	1600	1000 + 2000	1000 + 2000	2200	2200	2200
Bottom heating element power [W]	1200	900	1200	1200	1300	1300	1300
Back heating element power [W]	-	-	-	-	2300	2300	-
Total rated Power [W]	2300	2180	2300	2300	2380	2380	2380
Nominal voltage [V] / Mains frequency [Hz]	220-240 / 50/60	220-240 / 50/60	220-240 / 50/60	220-240 / 50/60	220-240 / 50/60	220-240 / 50/60	220-240 / 50/60
Light power [W]	15	15	15	15	25	25	25
Power cord length [m]	0,9	1,4	1,25	1,25	1	1	1
Plug	No	No	Yes	Yes	No	No	No
Accessories							
Air fry tray	-	-	-	-	-	-	-
Side racks	-	-	1	1	1	1	-
Grill	-	1	1	1	1	1	1
Shallow tray	1	-	1	1	-	-	1
Deep tray	-	1	1	1	1	1	-
Sliding rails	-	-	-	-	1	1	-
Turnspit	-	-	-	-	-	-	-
Pizza Stone (optional)	No	No	-	-	-	-	-
Gas connection hose	-	-	-	-	-	-	-

07039305	07001401	07032307	07032002
8422248093156	8422248059503	8422248059497	8422248058568
CMD 9208 BK	CDP 780 AS BK	CM 760 AS BK	CM 760 AS WH
Multifunction Turbo	Multifunction Turbo	Multifunción	Multifunción
94	117,1	117,1	117,1
A	A	A	A
1,15	0,89	0,89	0,89
0,9	0,81	0,81	0,81
1	1	1	1
Electricity	Electricity	Electricity	Electricity
47,4	36	35	35
93	50	50	50
895	595	595	595
480	595	595	595
546	480	480	480
658	410	410	410
345	325	325	325
410	375	375	375
Black glass	Stainles steel and black glass	Stainles steel and black glass	Stainles steel and white glass
No	No	No	No
5	5	5	5
Yes	Yes	Yes	Yes
2	1	1	1
Electronic	Electronic	Mechanic	Mechanic
Touch with push-pull knobs	Touch with push-pull knobs	Knobs	Knobs
LCD	LCD	-	-
No	Yes	No	No
Yes	-	No	No
No	-	Yes	Yes
Yes	Yes	Yes	Yes
Yes	Yes	Yes	Yes
50	50	50	50
250	250	250	250
Non-stick black	Non-stick black	Non-stick black	Non-stick black
Flat	Flat	Embossed	Embossed
Removable	Removable	Removable	Removable
-	-	-	-
Ñao	Manual	Manual	Ñao
10	6	6	6
No	No	No	No
Yes	Yes	Yes	Yes
Yes	No	No	No
3	2	2	2
Yes	Yes	Yes	Yes
Yes	Yes	Yes	Yes
900 + 1800	2350	2350	2350
1500	1300	1300	1300
2500	2300	-	-
2800	2450	2450	2450
220-240 / 50/60	220-240 / 50/60	220-240 / 50/60	220-240 / 50/60
2 x 25	2 x 25	25	25
1,0	1,0	1	1
No	No	No	No
-	-	-	-
1	1	-	-
1	1	1	1
-	1	-	-
1	1	1	1
-	1	-	-
-	-	-	-
-	-	-	-
-	-	-	-

Code	07510400	07510000	07510303	07510300	07511402	07511306	07510003
EAN	8422248055277	8422248055260	8422248055253	8422248048453	8422248100151	8422248108119	8422248077187
Model	MC 25 GTC BK	MC 25 GTC WH	MC 32 DC	MC 25 D ENC	MW BI2505DCG BK	MW BI2505DCG X	MMA 20 WH
Type (Built in / free standing)	Built in	Built in	Built in	Built in	Built in	Built in	Built in
DIMENSIONS							
Appliance width [mm]	595	595	595	595	592	592	595
Appliance height [mm]	388	388	388	388	390	390	382
Appliance depth [mm]	400	400	470	400	400	382	347
Cavity width [mm]	328	328	351	328	330	348	295
Cavity height [mm]	208	208	249	208	212	213	218
Cavity depth [mm]	369	369	358	369	330	334	314
Characteristics							
Finishing	Black glass	White glass	Stainless steel	Stainless steel	Black glass	Stainless steel	White glass
Door opening System	Push button	Push button	Push button	Push button	Push button	Push button	Push button
Cavity capacity [L]	25	25	32	25	25	25	20
Cavity type	Stainless steel	Stainless steel	Stainless steel	Stainless steel	Stainless steel	Stainless steel	Stainless steel
Inside light	Yes	Yes	Yes	Yes	Yes	Yes	Yes
Opening door angle [degrees]	90	90	90	90	88	90	90
Noise level db[A]	63	63	63	63	68	68	63
Controls							
Control type	Electronic	Electronic	Electronic	Electronic	Electronic	Electronic	Mechanic
Display technology	Red LCD	Red LCD	Red LCD	White LCD	White LCD	White LCD	-
Electronic timer	Yes	Yes	Yes	Yes	Yes	Yes	No
Manual timer	No	No	No	No	No	No	Yes
Start/Stop button	Yes	Yes	Yes	Yes	Yes	Yes	No
Timer [min]	95	95	95	95	60	60	35
Power selector	Yes	Yes	Yes	Yes	Yes	Yes	Yes
Function and temperature selector	Function selector	Function selector	Function selector	Function selector	Function selector	Function selector	No
Working indicator	LED display	LED display	LED display	LED display	LED display	LED display	No
Weight selector	Yes	Yes	Yes	Yes	Yes	Yes	No
Programs							
Number of programmes	8	8	10	8	8	6	9
Grill	Yes	Yes	Yes	Yes	Yes	Yes	Yes
Simultaneous grill + microwave	Yes	Yes	Yes	Yes	Yes	Yes	Yes
Convection fan	No	No	Yes	No	No	No	No
Defrosting, heating and cooking by food type	Yes	Yes	Yes	Yes	Yes	Yes	Yes
Memories	No	No	No	No	No	Yes	No
Quick start	Yes	Yes	Yes	Yes	Yes	Yes	No
Safety							
Safety thermostat	Yes	Yes	Yes	Yes	Yes	Yes	Yes
Safety automatic disconnection	No	No	No	No	No	No	No
Child safety lock	Yes	Yes	Yes	Yes	Yes	Yes	No
Door temperature	65	65	65	65	65	65	65
Nº of glasses in the door	1	1	1	1	1	1	1
Electrical connection							
Grill power [W]	1000	1000	1100	1000	1200	1200	1000
Microwave power [W]	900	900	900	900	900	900	800
Convection power [W]	-	-	2500	-	-	-	-
Rated power [W]	1450	1450	1550	1450	1280	1400	1250
Voltage / Frequency [V/Hz]	230 / 50	230 / 50	230-240 / 50	230 / 50	220 - 240 V / 50Hz	230 / 50	230 / 50
Power cord length	1000	1000	1000	1000	1100	1100	1000
Plug type	Schuko	Schuko	Schuko	Schuko	Schuko	Schuko	Schuko
Accessories							
Rotatory removable glass	Yes	Yes	Yes	Yes	Yes	Yes	Yes
Diameter of glass dish [mm]	315	315	315	315	315	315	245
Built in frame	Included	Included	Included	Included	Included	Included	Included
Ventilation kit	No	No	No	No	No	No	No

07510308	07510301	07510306
8422248077170	8422248049450	8422248058476
MMA 20 X	MC 20 D ENC	MC 20 IX
Built in	Built in	Built in
595	595	595
382	388	388
347	347	347
295	295	295
218	218	218
314	314	314
Stainless steel	Stainless steel	Stainless steel
Push button	Push button	Push button
20	20	20
Stainless steel	Stainless steel	Stainless steel
Yes	Yes	Yes
90	90	90
63	63	63
Mechanic	Electronic	Mechanic
-	Red LCD	-
No	Yes	No
Yes	No	Yes
No	Yes	No
35	95	35
Yes	Yes	Yes
No	Function selector	No
No	LED display	No
No	Yes	No
9	8	9
Yes	Yes	Yes
Yes	Yes	Yes
No	No	No
Yes	Yes	Yes
No	No	No
No	Yes	No
Yes	Yes	Yes
No	No	No
No	Yes	No
65	65	65
1	1	1
1000	1000	1000
800	800	800
-	-	-
1250	1250	1250
230 / 50	230 / 50	230 / 50
1000	1000	1000
Schuko	Schuko	Schuko
Yes	Yes	Yes
245	245	245
Included	Included	Included
No	No	No

Code	08024202	08081206	08063102	08026001	08026002	08026003	08026609	08000405	08000406
EAN	8422248079631	8422248079648	8422248077675	8422248054485	8422248059190	8422248059206	8422248069014	8422248109406	8422248198554
Model	IDF 9012 PRO BK	IDF 8021 PRO BK	IDB 6003 PRO BK	GIGA 750 BK	GIGA 600 BK	GIGA 600 WH	GIGA 600 SD	AS 750	AS 600
Type	Induction	Induction	Induction	Induction	Induction	Induction	Induction	Surface	Surface
Product fiche									
Cooking zones	5	4	3	6	4	4	4	4	4
Right front zone: Diameter (mm)	210x200	180	-	237x189	237x189	237x189	237x189	190x190	190x190
Right front zone: Power (kW)	2	1,2	-	2,1	2,1	2,1	2,1	2	2
Right front zone: Booster (kW)	2,8	1,5	-	3,7	3,7	3,7	3,7	2,8	2,8
Right front zone: Consumption (Wh/kg)	182,7	179,5	-	182,7	182,7	182,7	182,7	206,8	206,8
Right rear zone: Diameter (mm)	210x200	-	300	237x189	237x189	237x189	237x189	190x190	190x190
Right rear zone: Power (kW)	1,5	-	2,3	2,1	2,1	2,1	2,1	1,5	1,5
Right rear zone: Booster (kW)	2	-	3	3,7	3,7	3,7	3,7	2	2
Right rear zone: Consumption (Wh/kg)	182,9	-	180,8	182,7	182,7	182,7	182,7	181,5	181,5
Central front zone: Diameter (mm)	-	-	-	237x189	-	-	-	-	-
Central front zone: Power (kW)	-	-	-	2,1	-	-	-	-	-
Central front zone: Booster (kW)	-	-	-	3,7	-	-	-	-	-
Central front zone: Consumption (Wh/kg)	-	-	-	182,7	-	-	-	-	-
Central rear zone: Diameter (mm)	300	300	-	237x189	-	-	-	-	-
Central rear zone: Power (kW)	2,3	2,3	-	2,1	-	-	-	-	-
Central rear zone: Booster (kW)	3	3	-	3,7	-	-	-	-	-
Central rear zone: Consumption (Wh/kg)	216,3	216,3	-	182,7	-	-	-	-	-
Front left zone: Diameter (mm)	210x200	210x200	230	237x189	237x189	237x189	237x189	190x190	190x190
Front left zone: Power (kW)	1,5	1,5	2,3	2,1	2,1	2,1	2,1	2	2
Front left zone: Booster (kW)	2	2	2,6	3,7	3,7	3,7	3,7	2,8	2,8
Front left zone: Consumption (Wh/kg)	182,9	182,9	184,1	182,7	182,7	182,7	182,7	194,2	194,2
Left rear zone: Diameter (mm)	210x200	210x200	180	237x189	237x189	237x189	237x189	190x190	190x190
Left rear zone: Power (kW)	2	2	1,2	2,1	2,1	2,1	2,1	1,5	1,5
Left rear zone: Booster (kW)	2,8	2,8	1,5	3,7	3,7	3,7	3,7	2	2
Left rear zone: Consumption (Wh/kg)	182,7	182,7	181,7	182,7	182,7	182,7	182,7	181,5	181,5
Energy consumption of the hob (Wh/kg)	189,5	190,4	182,2	182,7	182,7	182,7	182,7	194,2	194,2
Dimensions									
Product width (mm)	900	800	590	770	590	590	590	770	590
Product depth (mm)	520	520	520	520	520	520	520	520	520
Product height (mm)	60	60	60	50	50	50	50	250	275
Built-in height (mm)	875	745	565	755	565	565	565	750	565
Built-in depth (mm)	495	495	495	495	495	495	495	490	490
Ventilation slot (mm)	5	5	5	5	5	5	5	5	5
Fixing system	Quick-Fix System	Quick-Fix System	Quick-Fix System	Quick-Fix System	Quick-Fix System	Quick-Fix System	Quick-Fix System	Quick-Fix System	Quick-Fix System
Finishing									
Colour	Black	Black	Black	Black	Black	White	Sand	Black	Black
Aesthetic	Front bevel	Front bevel	Front bevel	Front bevel	Front bevel	Front bevel	Front bevel	Front bevel	Front bevel
Control									
Control type	5" TFT Touch Screen	5" TFT Touch Screen	5" TFT Touch Screen	Independent Slider for each area	Independent Slider for each area	Independent Slider for each area	Independent Slider for each area	Touch	Touch
Power selection (+/-)	Centralized	Centralized	Centralized	Individual per zone	Individual per zone	Individual per zone	Individual per zone	Centralized	Centralized
Power levels	9 + Booster	9 + Booster	9 + Booster	9 + Booster	9 + Booster	9 + Booster	9 + Booster	9 + Booster	9 + Booster
Timer	Yes	Yes	Yes	Yes	Yes	Yes	Yes	Yes	Yes
Countdown alarm	Yes	Yes	Yes	Yes	Yes	Yes	Yes	Yes	Yes
Power management	Yes	Yes	Yes	No	No	No	No	No	No
Security									
Safety lock	Yes	Yes	Yes	Yes	Yes	Yes	Yes	Yes	Yes
Residual heat indicator	Yes	Yes	Yes	Yes	Yes	Yes	Yes	Yes	Yes
Automatic pan detection	Yes	Yes	Yes	Yes	Yes	Yes	Yes	Yes	Yes
Automatic safety switch-off	Yes	Yes	Yes	Yes	Yes	Yes	Yes	Yes	Yes
Protection against liquid spillage	Yes	Yes	Yes	Yes	Yes	Yes	Yes	Yes	Yes
Electrical connection									
Nominal voltage (V)	220-240	220-240	220-240	220-240	220-240	220-240	220-240	220-240	220-240
Mains frequency (Hz)	50-60	50-60	50-60	50-60	50-60	50-60	50-60	50-60	50-60
Max Product power (kW)	9	7,2	7,1	11	7,4	7,4	7,4	7,33	7,33

08024402	08081401	08063404	08053000	08063500	08063122	08063123	08063116	08063120	08073212	08040406	08063121
8422248109413	8422248109536	8422248109482	8,42225E+12	8422248108577	8422248355735	8422248357159	8422248351836	8422248355919	8422248112703	8422248079594	8422248355926
INSB 9012 BK	INSB 8021 BK	INSB 6032 BK	INSB 6030 WH	INSB 6028 BK/B	INSB 6003E2	INSB 6003E2 WH	IBS 6303E2	IB 6303E2 BK	ISB 603 BK /A	INSB 6004 BK	IB 6403E2 BK
Induction	Induction	Induction	Induction	Induction	Induction	Induction	Induction	Induction	Induction	Induction	Induction
5	4	3	3	3	3	3	3	3	3	4	3
210x200	180	-	-	-	-	-	-	-	-	160	-
2	1,2	-	-	-	-	-	-	-	-	1,2	-
2,8	1,5	-	-	-	-	-	-	-	-	1,5	-
182,7	179,5	-	-	-	-	-	-	-	-	182,8	-
210x200	-	320/190	300/180	280/180	300	300	280	280	280	180	250
1,5	-	3/1,5	3	3	2,3	2,3	2,3	2,3	2,3	1,8	1,8
2	-	3,6/1,8	3,6	3,6	3	3	3	3	3	2,3	2,3
182,9	-	175,4	175,4	175,4	180,8	180,8	180,8	180,8	180,8	179,2	181,5
-	-	-	-	-	-	-	-	-	-	-	-
-	-	-	-	-	-	-	-	-	-	-	-
-	-	-	-	-	-	-	-	-	-	-	-
-	-	-	-	-	-	-	-	-	-	-	-
300	300	-	-	-	-	-	-	-	-	-	-
2,3	2,3	-	-	-	-	-	-	-	-	-	-
3	3	-	-	-	-	-	-	-	-	-	-
216,3	216,3	-	-	-	-	-	-	-	-	-	-
210x200	210x200	210	210	210	230	230	210	210	210	210	180
1,5	1,5	2,3	2,3	2,3	2,3	2,3	2,3	2,3	2,3	2,3	1,8
2	2	2,6	2,6	2,6	2,6	2,6	2,6	2,6	2,6	2,6	-
182,9	182,9	191,5	191,5	191,5	184,1	184,1	184,1	184,1	184,1	182,9	183,4
210x200	210x200	160	160	160	180	180	160	160	160	160	160
2	2	1,2	1,2	1,2	1,2	1,2	1,2	1,2	1,2	1,2	1,5
2,8	2,8	1,5	1,5	1,5	1,5	1,5	1,5	1,5	1,5	1,5	-
182,7	182,7	194,8	194,8	194,8	181,7	181,7	181,7	181,7	181,7	182,8	181,7
189,5	190,4	187,2	187,2	187,2	182,2	182,2	182,2	182,2	182,2	184	182,2
900	800	630	590	590	590	590	590	590	590	590	590
520	520	520	520	520	520	520	520	520	520	520	520
60	60	60	60	60	58	58	58	58	58	58	58
875	745	565	565	565	560	560	560	560	565	565	560
495	495	495	495	495	490	490	490	490	495	495	490
5	5	5	5	5	-	-	-	-	5	5	-
Quick-Fix System	Quick-Fix System	Quick-Fix System	Quick-Fix System	Quick-Fix System	Quick-Fix System	Quick-Fix System	Quick-Fix System	Quick-Fix System	Quick-Fix System	Quick-Fix System	Quick-Fix System
Black	Black	Black	White	Black	Black	White	Black	Black	Negro	Negro	Black
Front bevel	Front bevel	Front bevel	Front bevel	Front bevel	Front bevel	Front bevel	Rounded	Rounded	Rounded	Front bevel	Rounded
Independent Slider for each area	Independent Slider for each area	Independent Slider for each area	Independent Slider for each area	Independent Slider for each area	Independent Slider for each area	Independent Slider for each area	Independent Slider for each area	Touch	Slider	Independent Slider for each area	Touch
Individual per zone	Individual per zone	Individual per zone	Individual per zone	Individual per zone	Individual per zone	Individual per zone	Individual per zone	Centralized	Centralized	Individual per zone	Centralized
9 + Booster	9 + Booster	9 + Booster	9 + Booster	9 + Booster	9 + Booster	9 + Booster	9 + Booster	9 + Booster	9 + Booster	9 + Booster	9 + Booster
Yes	Yes	Yes	Yes	Yes	Yes	Yes	Yes	Yes	Yes	Yes	Yes
Yes	Yes	Yes	Yes	Yes	Yes	Yes	No	No	No	No	No
No	No	Yes	Yes	Yes	Yes	Yes	Yes	Yes	No	No	Yes
Yes	Yes	Yes	Yes	Yes	Yes	Yes	Yes	Yes	Yes	Yes	Yes
Yes	Yes	Yes	Yes	Yes	Yes	Yes	Yes	Yes	Yes	Yes	Yes
Yes	Yes	Yes	Yes	Yes	Yes	Yes	Yes	Yes	Yes	Yes	Yes
Yes	Yes	Yes	Yes	Yes	Yes	Yes	Yes	Yes	Yes	Yes	Yes
Yes	Yes	Yes	Yes	Yes	Yes	Yes	Yes	Yes	Yes	Yes	Yes
220-240	220-240	220-240	220-240	220-240	220-240	220-240	220-240	220-240	220-240	220-240	220-240
50-60	50-60	50-60	50-60	50-60	50-60	50-60	50-60	50-60	50-60	50-60	50-60
9	7,2	7,1	7,1	7,1	7,1	7,1	7,1	7,1	7,1	7,2	5,3

Code	08074007	08001206	08063119	08081210	08081202	08081100	08027206	08060004
EAN	8422248094191	8422248355278	8422248355704	8422248109529	8422248054478	8422248075473	8422248060189	8422248357395
Model	IB 5003 BK	IB 6304E2 BK	IB 6324E2 BK	IB 853 BK	IB 753 BK	IB 073 BK	IB 772 /A	IB 4003 BK
Type	Inducción	Inducción	Inducción	Induction	Induction	Induction	Induction	
Product fiche								
Cooking zones	3	4	4	3	3	3	2	3
Right front zone: Diameter (mm)	-	160	160	-	-	-	-	-
Right front zone: Power (kW)	-	1,2	1,2	-	-	-	-	-
Right front zone: Booster (kW)	-	1,5	1,5	-	-	-	-	-
Right front zone: Consumption (Wh/kg)	-	183,4	183,4	-	-	-	-	-
Right rear zone: Diameter (mm)	280	180	180	270	270	270	210	210
Right rear zone: Power (kW)	2,3	1,8	1,8	2,3	2,3	2,3	2,3	1,8
Right rear zone: Booster (kW)	3	2,3	2,3	3	3	3	2,6	2,3
Right rear zone: Consumption (Wh/kg)	180,8	180,8	180,8	187,2	187,2	187,2	176,3	181,5
Central front zone: Diameter (mm)	-	-	-	-	-	-	-	-
Central front zone: Power (kW)	-	-	-	-	-	-	-	-
Central front zone: Booster (kW)	-	-	-	-	-	-	-	-
Central front zone: Consumption (Wh/kg)	-	-	-	-	-	-	-	-
Central rear zone: Diameter (mm)	-	-	-	180	180	180	-	-
Central rear zone: Power (kW)	-	-	-	1,4	1,4	1,4	-	-
Central rear zone: Booster (kW)	-	-	-	-	-	-	-	-
Central rear zone: Consumption (Wh/kg)	-	-	-	184,9	184,9	184,9	-	-
Front left zone: Diameter (mm)	180	180	210	220	220	220	-	180
Front left zone: Power (kW)	1,8	1,8	2	2,3	2,3	2,3	-	1,2
Front left zone: Booster (kW)	2,3	2,3	2,3	3	3	3	-	1,5
Front left zone: Consumption (Wh/kg)	184,9	180,8	182,9	176,3	176,3	176,3	-	183,4
Left rear zone: Diameter (mm)	160	160	160	-	-	-	280	160
Left rear zone: Power (kW)	1,2	1,2	1,2	-	-	-	2,3	1,2
Left rear zone: Booster (kW)	1,5	1,5	1,5	-	-	-	3	1,5
Left rear zone: Consumption (Wh/kg)	181,7	195,4	195,4	-	-	-	180,8	181,7
Energy consumption of the hob (Wh/kg)	182,5	185,3	185,3	182,8	182,8	182,8	178,6	182,2
Dimensions								
Product width (mm)	590	590	590	800	770	730	750	440
Product depth (mm)	520	520	520	400	390	430	450	510
Product height (mm)	58	58	58	68	68	68	68	60
Built-in height (mm)	565	560	560	750	750	710	710	430
Built-in depth (mm)	495	490	490	370	370	410	410	490
Ventilation slot (mm)	5	-	-	5	5	5	5	-
Fixing system	Quick-Fix System	Quick-Fix System	Quick-Fix System	Quick-Fix System	Quick-Fix System	Quick-Fix System	Quick-Fix System	Quick-Fix System
Finishing								
Colour	Black	Black	Black	Black	Black	Black	Black	Black
Aesthetic	Rounded	Rounded	Rounded	Rounded	Rounded	Front bevel	Front bevel	Rounded
Control								
Control type	Touch	Touch	Touch	Touch	Touch	Slider	Slider	Touch
Power selection (+/-)	Centralized	Centralized	Centralized	Centralized	Centralized	Centralized	Centralized	Centralized
Power levels	9 + Booster	9 + Booster	9 + Booster	9 + Booster	9 + Booster	9 + Booster	9 + Booster	9 + Booster
Timer	Yes	Yes	Yes	Yes	Yes	Yes	Yes	Yes
Countdown alarm	No	No	No	Yes	Yes	Yes	Yes	No
Power management	No	Yes	Yes	No	No	No	No	Yes
Security								
Safety lock	Yes	Yes	Yes	Yes	Yes	Yes	Yes	Yes
Residual heat indicator	Yes	Yes	Yes	Yes	Yes	Yes	Yes	Yes
Automatic pan detection	Yes	Yes	Yes	Yes	Yes	Yes	Yes	Yes
Automatic safety switch-off	Yes	Yes	Yes	Yes	Yes	Yes	Yes	Yes
Protection against liquid spillage	Yes	Yes	Yes	Yes	Yes	Yes	Yes	Yes
Electrical connection								
Nominal voltage (V)	220-240	220-240	220-240	220-240	220-240	220-240	220-240	220-240
Mains frequency (Hz)	50-60	50-60	50-60	50-60	50-60	50-60	50-60	50-60
Max Product power (kW)	6,5	7	7	6,7	6,7	6,7	5,6	5,3

08003209	08027208	08003405	08063413	08040011	08072202	08063212	08063411	08077001	08060001	08060405	08049007
8422248092135	8422248109420	8422248109314	8422248357357	8422248109321	8422248109505	8422248109475	8422248109499	8422248109512	8422248357388	8422248109444	8422248109437
IB 302	IB 2 PLUS BK	ISB 3102 BK	TDM 6003	TN 604 /B	606 HVI /C	TT 6003	TD 6003 BK	TT 5003	TT 4003 BK	TD 3002 BK /A	VI 302 /D
Induction	Induction	Induction	Radiant	Radiant	Radiant	Radiant	Radiant	Radiant	Radiant	Radiant	Radiant
2	2	2	3	4	4	3	3	3	3	2	2
-	-	180	180	180	160	185	180	180	210/180	-	-
-	-	1,2	1,8	1,8	1,2	1,8	1,8	1,8	2,3/1,2	-	-
-	-	1,5	-	-	-	-	-	-	-	-	-
-	-	183,2	195,4	191,3	183,82	172,4	195,4	147,1	147,1	-	-
-	180	200	140	140	195	150	140	140	-	-	-
-	1,4	2	1,2	1,2	1,8	1,2	1,2	1,2	-	-	-
-	-	2,3	-	-	-	-	-	-	-	-	-
-	184,9	180,2	185,4	194,1	183,33	180,4	185,4	147	-	-	-
160	-	-	-	-	-	-	-	-	-	159	160
1,2	-	-	-	-	-	-	-	-	-	1,2	1,2
1,5	-	-	-	-	-	-	-	-	-	-	-
183,2	-	-	-	-	-	-	-	-	-	190,5	183,82
180	-	-	-	-	-	-	-	-	-	190/120	195
2	-	-	-	-	-	-	-	-	-	2,0/1,0	1,8
2,3	-	-	-	-	-	-	-	-	-	-	-
180,2	-	-	-	-	-	-	-	-	-	181,3	183,33
-	-	-	-	140	195	-	-	180	-	-	-
-	-	-	-	1,2	1,8	-	-	1,8	-	-	-
-	-	-	-	-	-	-	-	-	-	-	-
-	-	-	-	187,7	183,33	-	-	147,1	-	-	-
-	220	-	270/210	180	160	280/220/155	270/210	270/210/145	150	-	-
-	2,3	-	2,4/1,5	1,8	1,2	2,7/1,8/0,9	2,4/1,5	2,7/1,95/1,05	1,2	-	-
-	3	-	-	-	-	-	-	-	-	-	-
-	176,3	-	193,5	183,4	183,82	174	193,5	140,1	147	-	-
182,2	180,6	182,2	191,4	189,1	183,57	175,5	191,4	144,7	144,7	185,9	183,57
290	590	290	590	590	590	590	590	600	440	290	290
520	350	520	520	520	520	520	520	435	510	520	520
65	68	65	67	67	44	47	67	67	52	65	44
265	560	265	560	560	560	560	560	580	430	265	270
495	330	495	490	490	490	490	490	415	490	495	490
5	5	5	-	-	-	-	-	-	-	-	-
Quick-Fix System	Quick-Fix System	Quick-Fix System	Quick-Fix System	Quick-Fix System	Quick-Fix System	Quick-Fix System	Quick-Fix System	Quick-Fix System	Quick-Fix System	Quick-Fix System	Quick-Fix System
Black	Black	Black	Black	Black	Black	Black	Black	Black	Black	Black	Black
Front bevel	Front bevel	Rounded	Rounded	Rounded	Rounded	Rounded	Rounded	Rounded	Rounded	Rounded	Rounded
Slider	Slider	Slider	Independent Slider for each area	Touch	Mechanical	Touch	Touch	Touch	Touch	Touch	Mechanical
Centralized	Centralized	Centralized	Centralized	Centralized	Knobs	Centralized	Centralized	Centralized	Centralized	Centralized	Knobs
9 + Booster	9 + Booster	9 + Booster	9	9	9	9	9	9	9	9	9
Yes	Yes	Yes	Yes	Yes	No	Yes	Yes	Yes	Yes	Yes	No
Yes	Yes	Yes	Yes	Yes	No	Yes	Yes	Yes	Yes	Yes	No
No	No	No	No	No	No	No	No	No	No	No	No
Yes	Yes	Yes	Yes	Yes	No	Yes	Yes	Yes	Yes	Yes	No
Yes	Yes	Yes	Yes	Yes	Yes	Yes	Yes	Yes	Yes	Yes	Yes
Yes	Yes	Yes	No	No	No	No	No	No	No	No	No
Yes	Yes	Yes	Yes	Yes	No	Yes	Yes	Yes	Yes	Yes	No
Yes	Yes	Yes	Yes	Yes	No	Yes	Yes	Yes	Yes	Yes	No
220-240	220-240	220-240	220-240	220-240	220-240	220-240	220-240	220-240	220-240	220-240	220-240
50-60	50-60	50-60	50-60	50-60	50-60	50-60	50-60	50-60	50-60	50-60	50-60
3,5	3,7	3,5	5,4	6	6	5,7	5,4	5,7	5,3	3,2	3

Code	08005404	08046410	08041100	08041500	08041503	08041501	08041412
EAN	8422248081924	8422248081962	8422248072557	8422248072724	8422248078788	8422248073691	8422248058681
Model	LCI 9041 BK	L-7005 CI	LCI 6031 WH	LCI 6031 BK	LCIB 6031 BK	CCI 6031 BK	CI 631 BK A/A
Type (Glass /St.Steel /Enamelled)	Glass	Glass	Glass	Glass	Glass	Glass	Glass
Product fiche							
Suitable for City Gas	√	√	√	√	-	√	√
Suitable for LPG	-	-	-	-	√	-	-
Number of burners	5	5	4	4	4	4	4
Triple ring power [kW]	3,5	3,5	3,5	3,5	3,5	3,5	3,5
Fast power [kW]	3	3	3	3	3		
Semi-fast power [kW]	1,75	1,75	1,75	1,75	1,75	1,75	1,75
Semi-fast power [kW]	1,75	1,75				1,75	1,75
Auxilliar power [kW]	1	1	1	1	1	1	1
Triple ring consumption [l/h]	333	333	333	333	94	333	333
Fast consumption [l/h]	286	286	286	286	88		
Semi-fast 1 consumption [l/h]	167	167	167	167	69	167	167
Semi-fast 2 consumption [l/h]	167	167				167	167
Auxilliar consumption [l/h]	95	95	95	95	73	95	95
Dimensions							
Appliance width [mm]	874	700	640	640	640	590	590
Appliance depth [mm]	520	510	510	510	500	510	510
Appliance height [mm]	55	55	55	55	55	52	52
Built-in width [mm]	828	555	555	555	555	555	555
Built-in depth [mm]	478	470	475	475	475	475	475
Anchor system	Fixation brackets	Fixation brackets	Fixation brackets	Fixation brackets	Fixation brackets	Fixation brackets	Fixation brackets
Characteristics							
Plug-in autoignition	√	√	√	√	√	√	√
Enamelled Grills/Burners	-	-	-	-	-	-	√
Cast Iron Grills/Burners	√	√	√	√	√	√	-
Security							
Safety valve	√	√	√	√	√	√	√
Electrical Connection							
Nominal voltage (V)	220-240	220-240	220-240	220-240	220-240	220-240	220-240
Mains frequency (Hz)	50-60	50-60	50-60	50-60	50-60	50-60	50-60
Product power (kW)	11	11	9,25	9,25	9,25	8	8
Accessories							
LPG butane/natural kit convensor (included)	√	√	√	√	√	√	√

Code	08028403	08005350	08045305	08066002	08066011	08066600	08066312
EAN	8422248055024	8422248081948	8422248108812	8422248058735	8422248067331	8422248067775	8422248068369
Model	RCI 631 BK	LGI 9041 X	LGI 7041 X /A	LGD 631 X	GI 6031 X	GI 6004 X	GIB 6004 X
Type (Glass /St.Steel /Enamelled)	Glass	St.Steel	St.Steel	St.Steel	St.Steel	St.Steel	St.Steel
Product fiche							
Suitable for City Gas	√	√	√	-	√	√	-
Suitable for LPG	-	-	-	√	-	-	√
Number of burners	4	5	5	4	4	4	4
Triple ring power [kW]	3,5	3,5	3,5	3,5	3,5		
Fast power [kW]		3	3	3		3	3
Semi-fast power [kW]	1,75	1,75	1,75	1,75	1,75	1,75	1,75
Semi-fast power [kW]	1,75	1,75	1,75	1,75	1,75	1,75	1,75
Auxilliar power [kW]	1	1	1	1	1	1	1
Triple ring consumption [l/h]		333	333	333	333		
Fast consumption [l/h]		286	286	286		286	286
Semi-fast 1 consumption [l/h]		167	167	167	167	167	167
Semi-fast 2 consumption [l/h]		167	167		167	167	167
Auxilliar consumption [l/h]		95	95	95	95	95	95
Dimensions							
Appliance width [mm]	584	850	680	580	580	580	580
Appliance depth [mm]	510	500	500	510	500	500	500
Appliance height [mm]	55	55	45	45	45	45	45
Built-in width [mm]	452	828	555	552	555	555	555
Built-in depth [mm]	470	478	475	470	475	475	475
Anchor system	Fixation brackets	Fixation brackets	Fixation brackets	Fixation brackets	Fixation brackets	Fixation brackets	Fixation brackets
Characteristics							
Plug-in autoignition	√	√	√	√	√	√	√
Enamelled Grills/Burners	-	-	-	-	√	√	√
Cast Iron Grills/Burners	√	√	√	√	-	-	-
Security							
Safety valve	√	√	√	√	√	√	√
Electrical Connection							
Nominal voltage (V)	220-240	220-240	220-240	220-240	220-240	220-240	220-240
Mains frequency (Hz)	50-60	50-60	50-60	50-60	50-60	50-60	50-60
Product power (kW)	8	11	11	9,25	8	7,5	7,5
Accessories							
LPG butane/natural kit convensor (included)	√	√	√	√	√	√	√

08068400	08068401	08068403	08068405	08068501	08068309	08068402	08041505	08047410
8422248068352	8422248068376	8422248078795	8422248086929	8422248073707	8422248067355	8422248073677	8422248094269	8422248093743
CIB 6031 BK	LCI 6021 BK	LCIB 6021 BK	SCI 6021 BK	CCI 6021 BK	CI 6021 BK	CIB 6021 BK	CCI 5003 BK	SCI 3002 BK
Glass	Glass	Glass	Glass	Glass	Glass	Glass	Glass	Glass
-	√	-	√	√	√	-	√	√
√	-	√	-	-	-	√	-	-
4	3	3	3	3	3	3	3	2
3,5	3,5	3,5	3,5	3,5	3,5	3,5	3,5	
								3
1,75	1,75	1,75	1,75	1,75	1,75	1,75	1,75	
1,75								
1	1	1	1	1	1	1	1	1
94	333	94	333	333	333	94	333	
								286
69	167	69	167	167	167	69	167	
69								
73	95	73	95	95	95	73	95	95
590	590	580	580	590	590	590	590	300
510	510	500	500	510	510	510	450	520
52	55	55	55	52	52	52	55	55
555	555	555	555	555	555	555	555	280
475	475	475	475	475	475	475	400	480
Fixation brackets	Fixation brackets	Fixation brackets	Fixation brackets	Fixation brackets	Fixation brackets	Fixation brackets	Fixation brackets	Fixation brackets
√	√	√	√	√	√	√	√	√
√	-	-	-	-	√	√	-	-
-	√	√	√	√	-	-	√	√
√	√	√	√	√	√	√	√	√
220-240	220-240	220-240	220-240	220-240	220-240	220-240	220-240	220-240
50-60	50-60	50-60	50-60	50-60	50-60	50-60	50-60	50-60
8	6,25	6,25	6,25	6,25	6,25	6,25	6,25	4
√	√	√	√	√	√	√	√	√

08068308	08068310	08039600
8422248067348	8422248073684	8422248108829
GI 6021 X	GIB 6021 X	GI 3002 X /A
St.Steel	St.Steel	St.Steel
√	-	√
-	√	-
3	3	2
3,5	3,5	
		3
1,75	1,75	
1	1	1
333	94	
		286
167	69	
95	73	95
580	580	300
500	500	520
45	45	45
555	555	280
475	475	480
Fixation brackets	Fixation brackets	Fixation brackets
√	√	√
√	√	√
-	-	-
√	√	√
220-240	220-240	220-240
50-60	50-60	50-60
6,25	6,25	4
√	√	√

Code	07200078	07200080	07200079	07820081
EAN	8422248351379	8422248351393	8422248351386	8422248351409
Model	LVI 62014	LVI 48010	LVI 62012	LVI 47010
Finish	Built-in	Built-in	Built-in	Built-in
Product fiche according to EU Regulation 2019/2022 - 2019/2017				
Rated capacity (ps)	14	10	14	10
Height (cm)	815	815	815	815
Width (cm)	598	448	598	448
Depth (cm)	550	550	550	550
Energy Efficiency Index (EEI)	49,9	49,9	55,9	55,9
Energy efficiency class (1)	D	D	E	E
Cleaning performance index (IC)	A	A	A	A
Drying performance index (ID)	A	A	A	A
Energy consumption in kWh [per cycle], based on the ECO programme (2)	0,849	0,674	0,951	0,755
Energy consumption in kWh [per 100 cycle], based on the ECO programme (2)	85	68	95	76
Water consumption in litres [per cycle], based on the ECO programme (3)	11	9	11	9
Duration of the eco programme (Tt) (h:min)	3:18	3:35	3:35	3:55
Type	Built-in	Built-in	Built-in	Built-in
Airborne acoustical noise emissions (dB(A))	47	47	47	47
Airborne acoustical noise emission class	C	C	C	C
Power consumption in off-mode (Po) (W)	0,49	0,49	0,49	0,49
Power consumption in standby mode (Psm) (W)	/	/	/	/
Delay start (W) (if applicable)	1	1	1	1
Networked standby (W) (if applicable)	No	No	No	No
Technical documentation (UE) 2019/2017				
Standard programme energy consumption (SPEC) (kWh/cycle)	1,7	1,35	1,7	1,35
Does standby mode include the display of information?	Yes	Yes	Yes	Yes
Power consumption in standby mode (Psm) in condition of networked standby (if applicable), (W)	/	/	/	/
Power consumption in delay start (Pds) (if applicable) (W)	1	1	1	1
Duration of the Left-on Mode (TI) (min) (EP)	/	/	/	/
Product dimensions				
Height min/max [mm]	815-865	815-865	815-865	815-865
Width [mm]	598	448	598	448
Depth [mm]	550	550	550	550
Adjustable legs	Yes	Yes	Yes	Yes
Cabinet and door dimensions				
Minimum cabinet height [mm]	820-870	820-870	820-870	820-870
Minimum cabinet width [mm]	600	450	600	450
Minimum cabinet depth [mm]	580	580	580	580
Max door height (built-in models) [mm]	720	720	720	720
Sliding door	No	No	No	No
Control panel				
Display / LED	Display	Display	Display	Display
Salt control pilot light	Yes	Yes	Yes	Yes
Rinse aid control pilot light	Yes	Yes	Yes	Yes
Time remaining indicator	Yes	Yes	Yes	Yes
Delay for starting operation	1-24	1-24	1-24	1-24
Programs and functions				
Number of programs	8	8	8	8
Intensive [°C-min]	65	65	65	65
Normal [°C-min] - Universal	55	55	55	55
ECO [°C-min]	50	45	45	45
Express 90' [°C-min]	55	55	60	55
Glass [°C-min]	50	50	50	50
Rapid 30' [°C-min]	40	40	45	50
Soak [min]	-	-	-	-
Automatic [°C-min]	55-65	55-65	55-65	55-65
Start / Pause function	Yes	Yes	Yes	Yes
Half load function	Yes	Yes	Yes	Yes
Extra drying function	Yes	Yes	Yes	Yes
Flex wash function (Alternative wash function)	-	-	-	-
Total Clean function (Strong wash function)	-	-	-	-
Equipment				
Upper basket with height regulation	Yes	Yes	Yes	Yes
Upper basket foldable support for cups	Yes	Yes	Yes	Yes
Upper/Lower basket foldable supports	Yes	Yes	Yes	Yes
Type of dispenser	Compact Sliding	Compact Sliding	Compact Sliding	Compact Sliding
Slide&Go tray	-	-	-	-
Third tray	Yes	Yes	-	-
Additional specifications				
Motor	Inverter	Inverter	Inverter	Inverter
Automatic door open	Yes	Yes	-	-
Enabled for all in one detergent	Yes	Yes	Yes	Yes
Type of cavity	S. steel	S. steel	S. steel	S. steel
Safety				
Child lock	Yes	Yes	Yes	Yes
Triple security system	Yes	Yes	Yes	Yes
Power and water connection				
Voltage range [V]	220-240	220-240	220-240	220-240
Frequency [Hz]	50	50	50	50
Rated power [W]	1760-2100	1760-2100	1760-2100	1760-2100
Rated current [A]	8-8,75	8-8,75	8-8,75	8-8,75
Type of plug	Schuko	Schuko	Schuko	Schuko
Power cord length [m]	1,5	1,5	1,5	1,5
Inlet water hose length [m]	1,5	1,5	1,5	1,5
Drain water hose length [m]	1,4	1,4	1,4	1,4

DISHWASHER (1) Classes range from A (most efficient) to G (least efficient) (2) Energy consumption based on the ECO program, using cold water. The actual energy consumption depends on the conditions of use of the appliance (3) Water consumption in liters per year based on the ECO program. The actual water consumption depends on the conditions of use of the appliance. This appliance is suitable for washing normally soiled dishes and is the most efficient in terms of combined energy and water consumption.

Code	0790002
EAN	8422248096942
Model	LI 08014 /A
Finish	Built-in
Product fiche according to EU Regulation 2019/2023	
Rated capacity (kg)	8
Height (cm)	83
Width (cm)	60
Depth (cm)	54
Energy Efficiency Index (EEI)	60
Energy efficiency class (1)	B
Cleaning performance index	1,04
Rinsing effectiveness (g/kg)	5
Energy consumption in kWh (per cycle), based on the ECO programme (2)	0,545
Water consumption in litres (per cycle), based on the ECO programme (3)	48
Maximum temperature inside the treated textile (°C) - Rated Capacity	37
Maximum temperature inside the treated textile (°C) - Half Capacity	33
Maximum temperature inside the treated textile (°C) - Quarter Capacity	23
Remaining moisture content (%) - Rated capacity	53
Remaining moisture content (%) - Half capacity	53
Remaining moisture content (%) - Quarter capacity	53
Spin speed (rpm) - Rated capacity	1400
Spin speed (rpm) - Half capacity	1400
Spin speed (rpm) - Quarter capacity	1400
Spin-drying efficiency class (4)	B
Programme duration (h:min) - Rated capacity	3 : 38
Programme duration (h:min) - Half capacity	2 : 48
Programme duration (h:min) - Quarter capacity	2 : 48
Type	Built-in
Airborne acoustical noise emissions in the spinning phase (dBA)	76
Airborne acoustical noise emission class (spinning phase)	B
Off-mode (W)	0,50
Standby mode (W)	1
Delay start (W)	4
Product dimensions	
Height min/max (mm)	830/850
Width (mm)	590
Depth (mm)	520
Adjustable legs	Yes
Cabinet and door dimensions	
Minimum cabinet height (mm)	840
Minimum cabinet width (mm)	600
Minimum cabinet depth (mm)	580
General features	
Loading type	Front
Motor type	Silence Inverter
Hatch door diameter (cm)	31
Drum type	Stainless Steel
Filter system	Accessible
Foam reduction system	Accessible
Load self adjustment	Yes
Control	
Control type	LED Digital Display
Independent washing temperature selection	Yes
Independent spinning speed selection	Yes
Delay start (h)	Yes
Start / Pause key	Yes
Countdown display	Yes
Washing cycle display	Yes
Programmes	
N° of programmes	16
Cotton	Yes
Sintetic	Yes
Delicates	Yes
ECO	Yes
Wool	Yes
Hand wash	Yes
Quick (min)	Yes
Mix	Yes
Sport clothes	Yes
Baby clothes	Yes
Customized	Yes
Special functions	
Prewash	Yes
Extra rinse	Yes
Safety	
Child-lock door	Yes
Anti-flooding system	Yes
Power and water connection	
Voltage range (V)	220-240
Frequency (Hz)	50
Rated power (W)	1,950
Rated current (A)	10
Type of plug	Schuko
Power cord length (m)	150
Inlet water hose length (m)	100
Drain water hose length (m)	160

Code	07800078	07800079
EAN	8422248350945	8422248350952
Model	CI-54177 ST /D	CI-54177 NF /C
Finish	Built-in	Built-in
Product fiche according to EU Regulation 2019/2016		
Category	7	7
Energy efficiency class	E	E
Energy consumption [kWh/year] (1)	216	233
Refrigerator storage volume [l]	179	177
Freezer storage volume **** [l]	70	64
Star rating	4	4
Frost-free fridge	-	Yes
Frost-free freezer	-	Yes
Power cut safe [h]	10	10
Freezing capacity [kg/24h]	3,2	3,2
Climate class (2)	N,ST	ST
Noise emissions [dBA]	39	41
Installation type	Built-in	Built-in
Dimensions		
Height [mm]	1777	1769
Width [mm]	540	540
Depth [mm]	540	550
Opening of the door	Right	Right
Reversible doors	Yes	Yes
Wheels	-	-
External / Recessed handle	-	-
Control		
Cooling type	Static	No Frost
Control	Electronic	Electronic
Display	-	Yes
Electronic refrigerator temperature regulation	Yes	Yes
Electronic freezer temperature regulation	-	Yes
Super cooling / Super freezing function	Yes / Yes	Yes / Yes
Holiday function	-	-
Winter-Summer function	-	-
Refrigerator equipment		
Number of door balconies	3	3
Number of glass shelves	3	4
Wine rack	-	-
Drawer for fruits and vegetables	Yes	Yes
Chiller for meat and fish	-	-
Metallic inner decoration	-	Yes
Number of egg tray - Egg capacity	1-6	1-6
Freezer equipment		
Number of drawers / closed drawers	3	3/2
Ice trays / Ice cube quantity	1-12	1-12
Illumination		
Fridge - Freezer lighting	Yes - /	Yes - /
LED lighting	Yes - /	Yes - /
Power and water connection		
Voltage range (V)	220-240	220-240
Frequency [Hz]	50	50
Rated power [W]	115	160
Rated current [A]	0,75	0,8
Type of plug	Schuko	Schuko
Power cord length [m]	1600	1800

FRIDGE (1) The actual energy consumption depends on the conditions of use of the device and its location, according to the results obtained in the standard test of 24 hours defined in EN 62552 regulation. (2) Type of climates: SN: From +10°C to +34°C ambient temperature. N: From +16°C to +32°C ambient temperature. ST: From +16°C to +38°C ambient temperature. T: From +16°C to +43°C ambient temperature.

WASHING MACHINES Normal washing program: ECO 40-60 (1) Classes range from A (most efficient) to G (least efficient). (2) Weighted annual consumption based on the ECO 40-60 program. (3) Weighted annual consumption based on the ECO 40-60 program. Actual water consumption depends on how the appliance is used. (4) On a scale from A (most efficient) to G (least efficient).

Code	07751006	07751007	07751008	07702004	07701404
EAN	8422248101790	8422248101806	8422248101837	8422248098915	8422248110785
Model	VI 15107 X	VI 30117 X	VI 54024 X	VI 59082 X/A	VI 59082 BK
Finish	Aço inoxidável	Aço Inoxidável	Aço inoxidável	Aço Inoxidável	Aço Inoxidável
Product fiche according to EU Regulation 1060/2010					
Category	Cave Vinhos com compressor	Cave Vinhos com compressor	Cave Vinhos com compressor	Cave Vinhos com compressor	Cave Vinhos com compressor
Energy efficiency class	G	G	G	G	G
Energy consumption (kWh/year)	144	137	135	144	144
Refrigerator storage volume (l)	20	52	62	129	129
Climate class	SN/N/ST	SN/N/ST	SN/N/ST	SN/N/ST	SN/N/ST
Noise emissions (dBA)	41	41	40	41	41
Installation type	Incorporado	Incorporado	Incorporado	Incorporado	Incorporado
Technical specs and control type					
Refrigerator system	Compressor	Compressor	Compressor	Compressor	Compressor
Display	Display tátil no painel frontal	Display tátil na porta	Display tátil na porta	Display tátil na porta	Display tátil na porta
Wine cooler lighting	Led	Led	Led	Led	Led
Temperature zones	1	2	1	2	2
Temperature ranges (°C)	5-20	5-22 / 5-22	5-20	5-22 / 5-22	5-22 / 5-22
Storage levels	7	5	3	6	6
Capacity (bottles)	7	17	28	46	46
Opening of the door	Direita	Direita	Direita	Direita	Direita
Reversible doors	Sim	Sim	Sim	Sim	Sim
Adjustable feet	Sim	Sim	Sim	Sim	Sim
Dimensions					
Height (mm)	870-887	825-870	455	825-870	825-870
Width (mm)	150	295	590	595	595
Depth (mm)	525	570	563	567	567
Cabinet dimensions					
Minimum cabinet height (mm)	872-889	827-872	450	827-872	827-872
Minimum cabinet width (mm)	155	300	560-568	600	600
Minimum cabinet depth (mm)	560	600	550-560	600	600
Power connection					
Voltage range (V)	220-240	220-240	220-240	220-240	220-240
Frequency (Hz)	50	50	50	50	50
Rated power (W)	60	225	65	200	200
Type of plug	Schuko	Schuko	Schuko	Schuko	Schuko
Power cord length (mm)	1500	1500	1500	1500	1500

SINKS

Code	02625006	02621006	02624006	02624016	02607101	02625300	02621009	02624007
EAN	8422248108652	8422248108645	8422248108669	8422248108638	8422248074681	8422248048743	8422248043175	8422248109000
Model	CB 50-40 R10	CB 45-40 R10	CB 40-40 P R10	CB 40-40 R10	CB-2	CB 50-40	CB 45-40	CB 40-40 / D
DIMENSIONS								
Cutout dimension (length x width) [mm]	500x400	450x400	400x400	400x400	745x415	500x400	450x400	400x400
Dimensions (length x width x depth) [mm]	540x440x200	490x440x200	440x440x250	440x440x200	785x450x200	533x433x200	480x430x180	440x440x180
GENERAL FEATURES								
Type of sink	Undermount	Undermount	Undermount	Undermount	Undermount	Undermount	Undermount	Undermount
Material	Stainless steel 304	Stainless steel 304	Stainless steel 304	Stainless steel 304	Stainless steel 304	Stainless steel 304	Stainless steel 304	Stainless steel 304
Steel thickness [mm]	1,2	1,2	1,2	1,2	0,9	0,8	0,8	0,7
Colour	Steel	Steel	Steel	Steel	Steel	Steel	Steel	Steel
BOWL AND DRAINING RACK DETAILS								
Bowl quantity	1	1	1	1	2	1	1	1
Bowl form	Square with inverted pyramid surface	Square with inverted pyramid surface	Square with inverted pyramid surface	Square with inverted pyramid surface	Square	Square	Square	Square
Draining rack	-	-	-	-	-	-	-	-
Draining rack quantity	-	-	-	-	-	-	-	-
Draining rack form	-	-	-	-	-	-	-	-
Draining rack position	-	-	-	-	-	-	-	-
Tap hole	-	-	-	-	-	-	-	-
ACCESSORIES								
Drainpipe type	Square 3 1/2"	Square 3 1/2"	Square 3 1/2"	Square 3 1/2"	Round 3 1/2"	Round 3 1/2"	Round 3 1/2"	Round 3 1/2"
Drainpipe quantity	1	1	1	1	2	1	1	1
Overflow tube	Yes	Yes	Yes	Yes	Yes	Yes	Yes	Yes

Code	02624302	02624008	02624009	02624010	02606603	02606601	02606602	02606503	02606501
EAN	8422248109017	8422248109024	8422248109031	8422248109048	8422248108904	8422248108911	8422248108928	8422248108935	8422248108942
Model	CBP 40-40 /A	CBS-1 40-40 D R10	CBS-2 40-40 R10	CBS-1 54-40 R10	CDL-1 REV	CDL-1 EI	CDL-1 ED	CDP-1 REV	CDP-1 EI
DIMENSIONS									
Cutout dimension (length x width) [mm]	400x400	840x490	840x490	570x490	770x480	770x480	770x480	840x480	840x480
Dimensions (length x width x depth) [mm]	440x440x200	860x510x200	860x510x200	590x510x200	790x500x180	790x500x180	790x500x180	860x500x180	860x500x180
GENERAL FEATURES									
Type of sink	Undermount	Top mount	Top mount	Top mount	Built-in countertop	Built-in countertop	Built-in countertop	Built-in countertop	Built-in countertop
Material	Stainless steel 304	Stainless steel 304	Stainless steel 304	Stainless steel 304	Stainless steel 304	Stainless steel 304	Stainless steel 304	Stainless steel 304	Stainless steel 304
Steel thickness [mm]	0,7	1,2	1,2	1,2	0,8	0,8	0,8	0,8	0,8
Colour	Steel	Steel	Steel	Steel	Steel	Steel	Steel	Steel	Steel
BOWL AND DRAINING RACK DETAILS									
Bowl quantity	1	1	2	1	1	1	1	1	1
Bowl form	Square	Square	Square	Square	Square	Square	Square	Square	Square
Draining rack	-	Yes	-	-	Yes	Yes	Yes	Yes	Yes
Draining rack quantity	-	1	-	-	1	1	1	1	1
Draining rack form	-	Square	-	-	Square	Square	Square	Square	Square
Draining rack position	-	Right	-	-	Left	Left	right	Left	Left
Tap hole	-	Yes	Yes	Yes	-	Yes	Yes	-	Yes
ACCESSORIES									
Drainpipe type	Round 3 1/2"	Round 3 1/2"	Round 3 1/2"	Round 3 1/2"	Round 3 1/2"	Round 3 1/2"	Round 3 1/2"	Round 3 1/2"	Round 3 1/2"
Drainpipe quantity	1	1	1	1	1	1	1	1	1
Overflow tube	Yes	Yes	Yes	Yes	Yes	Yes	Yes	Yes	Yes

Code	02506400	02506300	02507400	02500301	02500401
EAN	8422248107914	8422248107921	8422248107938	8422248107907	8422248107891
Model	CPB	XPB	CPA	XSE	CSE
DIMENSIONS					
Dimensions (diameter, length) of spout braided hose [", cm]	3/8, 36	3/8, 36	3/8, 36	3/8, 36	3/8, 36
Product dimensions (height x width x depth) [mm]	510x290x90	510x267x92	682x290x90	294x275x90	294x275x90
Base diameter	52	54	52	51,5	51,5
GENERAL FEATURES					
Water tap type	Single-lever	Single-lever	Single-lever	Single-lever	Single-lever
Material	Brass	Acero inoxidable 304	Brass	Acero inoxidable 304	Brass
Material of handle	Cast	Acero inoxidable 304	Cast	Acero inoxidable 304	Cast
Material of spout braided hose	Stainless steel 304	Stainless steel 304	Stainless steel 304	Stainless steel 304	Stainless steel 304
Finish style	Chrome	Inox	Chrome	Inox	Chrome
Installation place	Sink, cooktop	Sink, cooktop	Sink, cooktop	Sink, cooktop	Sink, cooktop
SPOUT AND CONTROL DETAILS					
Spout type	Long	Long	Long	Long	Long
Spout form	Semi-professional	Semi-professional	Semi-professional	L form	L form
Removable spout	Yes	Yes	Yes	Yes	Yes
Rotatory spout	Yes / 360°	Yes / 360°	Yes / 360°	Yes / 360°	Yes / 360°
Airy spout	Yes	Yes	Yes	Yes	Yes
Antiscale areator	Yes	Yes	Yes	Yes	Yes
Shower function	Yes	Yes	Yes	Yes	Yes
Flow limiter 5 litre/minute	Yes	Yes	Yes	Yes	Yes
Lead Free	Yes	Yes	Yes	Yes	Yes
Cold start	Handle	Handle	Handle	Handle	Handle
Control type					
Control position	Ceramic discs	Ceramic discs	Ceramic discs	Ceramic discs	Ceramic discs
ACCESSORIES					
Cartridge type	Ceramic discs	Ceramic discs	Ceramic discs	Ceramic discs	Ceramic discs
Easy Installation	Yes	Yes	Yes	Yes	Yes
Flexible M10x1x3/8" x 360mm Inox certified instalation hose	Yes	Yes	Yes	Yes	Yes

Code	02500601	02500400	02503400	02502400	02501400
EAN	842224835308	8422248107884	8422248107877	8422248107860	8422248107778
Model	BSE	CSA/B	CMA/G	CBA/C	CBB/B
DIMENSIONS					
Dimensions (diameter, length) of spout braided hose [", cm]	3/8, 36	3/8, 36	3/8, 36	3/8, 36	3/8, 36
Product dimensions (height x width x depth) [mm]	294x275x90	321x255x117	380x230x95	290x220x105	260x156x52
Base diameter	51,5	52	50	50	52
GENERAL FEATURES					
Water tap type	Single-lever	Single-lever	Single-lever	Single-lever	Single-lever
Material	Brass	Brass	Brass	Brass	Brass
Material of handle	Cast	Cast	Cast	Cast	Cast
Material of spout braided hose	Stainless steel 304	Stainless steel 304	Stainless steel 304	Stainless steel 304	Stainless steel 304
Finish style	Black	Chrome	Chrome	Chrome	Chrome
Installation place	Sink, cooktop	Sink, cooktop	Sink, cooktop	Sink, cooktop	Sink, cooktop
SPOUT AND CONTROL DETAILS					
Spout type	Long	Long	Long	Long	Short
Spout form	L form	L form	Curved	Curved	Line
Removable spout	Yes	No	No	No	No
Rotatory spout	Yes / 360°	Yes / 360°	Yes / 360°	Yes / 360°	Yes / 360°
Airy spout	Yes	Yes	Yes	Yes	Yes
Antiscale areator	Yes	Yes	Yes	Yes	Yes
Shower function	Yes	No	No	No	No
Flow limiter 5 litre/minute	Yes	Yes	Yes	Yes	Yes
Lead Free	Yes	Yes	Yes	No	No
Cold start	Handle	Handle	Handle	Handle	Handle
Control type					
Control position	Ceramic discs	Ceramic discs	Ceramic discs	Ceramic discs	Ceramic discs
ACCESSORIES					
Cartridge type	Ceramic discs	Ceramic discs	Ceramic discs	Ceramic discs	Ceramic discs
Easy Installation	Yes	Yes	Yes	Yes	Yes
Flexible M10x1x3/8" x 360mm Inox certified instalation hose	Yes	Yes	Yes	Yes	Yes

02606502	02603300	02606400	02606401	02606402	02607102	02604209	02612300	02612400	02612101	02602100
8422248108959	8422248074414	8422248074421	8422248108973	8422248108980	8422248109055	8422248043151	8422248074377	8422248074384	8422248055338	8422248108997
CDP-1 ED	RD-1 REV	CDS-1 REV	CDS-1 EI	CDS-1 ED	C-2 AG / B	R-2 AG	CSS60-2	CSS-2	CS-2	RS-1 / A
840x480	880x450	765x355	765x355	765x355	770x480	820x420	580x480	465x415	442x462	Ø465
860x500x180	900x470x150	788x448x150	788x448x150	788x448x150	790x500x200	850x450x180	609x509x150	490x440x150	465x485x165	485x160
Built-in countertop Stainless steel 304	Built-in countertop Stainless steel 304	Built-in countertop Stainless steel 304	Built-in countertop Stainless steel 304	Built-in countertop Stainless steel 304	Built-in countertop Stainless steel 304	Built-in countertop Stainless steel 304	Built-in countertop Stainless steel 304	Built-in countertop Stainless steel 304	Built-in countertop Stainless steel 304	Built-in countertop Stainless steel 304
0,8	0,8	0,5	0,5	0,5	0,7	0,7	0,7	0,7	0,7	0,7
Steel	Steel	Steel	Steel	Steel	Steel	Steel	Steel	Steel	Steel	Steel
1	1	1	1	1	2	2	1	1	1	1
Square	Round	Square	Square	Square	Square	Round	Square	Square	Square	Round
Yes	Yes	Yes	Yes	Yes	-	-	-	-	-	-
1	1	1	1	1	-	-	-	-	-	-
Square right	Round Reversible	Square	Square	Square	-	-	-	-	-	-
Yes	-	-	Yes	Yes	Yes	Yes	-	-	Yes	Yes
Round 3 1/2"	Round 3 1/2"	Round 3 1/2"	Round 3 1/2"	Round 3 1/2"	Round 3 1/2"	Round 3 1/2"	Round 3 1/2"	Round 3 1/2"	Round 3 1/2"	Round 3 1/2"
1	1	1	1	1	2	2	1	1	1	1
Yes	Yes	Yes	Yes	Yes	Yes	Yes	Yes	Yes	Yes	Yes

CODE	03114001	03112001	03111001	03112004	03111004
EAN CODE	8422248102520	8422248081474	8422248081467	8422248081580	8422248081573
Model	CTRS-100 REV SLIM	CTRS-80 REV SLIM /A	CTRS-50 REV SLIM /A	CTRH-80-REV	CTRH-50-REV
Type (Electric/Gas)	Electric	Electric	Electric	Electric	Electric
Product fiche according to EU Regulation n° 812/2013					
Declared Load Profile	M	M	M	M	M
Energy Efficiency Class	B	B	B	C	C
Energy Efficiency of Water Heating η_{wh}	42	39	41,3	36	36
Annual Electricity Consumption AEC (kWh/year)	1228	1316	1243	1427	1426
Temperature adjusted Thermostat Tout of box	75°C	75°C	75°C	75°C	75°C
Daily Electricity Consumption Qelec (kWh)	8,458	9,745	8,829	6,692	6,689
Mixed water at 40°C (l)	144	108	76	91	68
Maximum Thermostat Temperature Tmax	75°C	75°C	75°C	75°C	75°C
Out of the Box mode Tout of box	75°C	75°C	75°C	75°C	75°C
External Dimensions					
Width (mm)	570	570	470	385	385
Height (mm)	1090	900	860	1030	711
Depth (mm)	300	300	250	385	385
Net weight (Kg)	40,7	32,45	25,86	24,55	18,2
Features					
Capacity (l)	93	74	47	73	46
Number of people		2-4	2-3	2-4	2-3
Installation	VERTICAL/HORIZONTAL	VERTICAL/HORIZONTAL	VERTICAL/HORIZONTAL	VERTICAL/HORIZONTAL	VERTICAL/HORIZONTAL
Water connection size	G1/2	G1/2	G1/2	G1/2	G1/2
Temperature Regulation range (°C)	30-75	30-75	30-75	30-75	30-75
Type of heating elements	Enamel	Enamel	Enamel	Enamel	Enamel
Heating Time to 65°C (+50°C)	2,61h	2,33h	1,46h	3,11h	1,94h
Static losses to 65°C (kWh in 24h)	3,2	2,11	1,41	1,66	1,03
Average thickness of insulation (mm)	0.15-0.5	0.15-0.5	0.15-0.5	0.15-0.5	0.15-0.5
Controls					
Control Type	ELECTRONIC	ELECTRONIC	ELECTRONIC	MECHANICAL	MECHANICAL
Thermostat control location	Front	Front	Front	Front	Front
Connection indicator	YES	YES	YES	YES	YES
Temperature indicator light	YES	YES	YES	YES	YES
Heating indicator light	YES	YES	YES	YES	YES
Safety					
Overheating Protection	YES	YES	YES	YES	YES
Protection temperature °C	101	101	101	95°	95°
Antifreeze protection	YES	YES	YES	NO	NO
Protection against humidity	IPX4	IPX4	IPX4	IPX4	IPX4
Highest Pressure (Mpa)	0,75	0,75	0,75	0,75	0,75
Magnesium Anode dimensions (mm)	ø22*234	ø22*296	ø22*234	ø22*296	ø22*234
Power connection					
Rated power (W)	1200/2000	1200/2000	1200/2000	1500	1500
Voltage range (V)	220-240	220-240	220-240	220-240	220-240
Frequency (Hz)	50/60	50/60	50/60	50/60	50/60
Rated current (A)	8,69	8,69	8,69	6,52	6,52
Power cord length (m)	1,5	1,5	1,5	1,5	1,5

CODE	03113001	03112003	03111003	03110001	03110003	03109000
EAN CODE	8422248081559	8422248081542	8422248081535	8422248081528	8422248096621	8422248096638
Model	CTR-100-M	CTR-80-M	CTR-50-M	CTR-30-M	CTRC-30-M	CTRC-15-M
Type (Electric/Gas)	Electric	Electric	Electric	Electric	Electric	Electric
Product fiche according to EU Regulation n° 812/2013						
Declared Load Profile	M	M	M	S	S	XXS
Energy Efficiency Class	C	C	C	C	C	A
Energy Efficiency of Water Heating η_{wh}	36,2	37,1	36,6	31,6	33	35
Annual Electricity Consumption AEC (kWh/year)	1420	1382	1404	583	558	522
Temperature adjusted Thermostat Tout of box	75°C	75°C	75°C	75°C	75	75
Daily Electricity Consumption Qelec (kWh)	6,653	6,428	6,56	2,82	2,674	2,462
Mixed water at 40°C (l)	103	75	73	44	28	16
Maximum Thermostat Temperature Tmax	75°C	75°C	75°C	75°C	75	75°C
Out of the Box mode Tout of box	75°C	75°C	75°C	75°C	75	75°C
External Dimensions						
Width (mm)	450	450	385	340	440	368
Height (mm)	970	805	770	650	440	368
Depth (mm)	450	450	385	340	420	340
Net weight (Kg)	31,1	25,8	19,9	15	13,5	9,6
Features						
Capacity (l)	100	80	50	30	30	15
Number of people	3-5	2-4	2-3	1-2	1-2	1-2
Installation	VERTICAL	VERTICAL	VERTICAL	VERTICAL	VERTICAL	VERTICAL
Water connection size	G1/2	G1/2	G1/2	G1/2	G1/2	G1/2
Temperature Regulation range (°C)	30-63	30-75	30-75	30-75	30-65	30-75
Type of heating elements	Enamel	Enamel	Enamel	Enamel	Enamel	Enamel
Heating Time to 65°C (+50°C)	3,89h	3,11h	1,94h	1,17h	0,55	1,11
Static losses to 65°C (kWh in 24h)	1,43	1,38	0,88	0,81	2,46	2,67
Average thickness of insulation (mm)	0.15-0.5	0.15-0.5	0.15-0.5	0.15-0.5	0.15-0.5	0.15-0.5
Controls						
Control Type	MECHANICAL	MECHANICAL	MECHANICAL	MECHANICAL	MECHANICAL	MECHANICAL
Thermostat control location	Under Bottom Cover	Under Bottom Cover	Under Bottom Cover	Under Bottom Cover	Front	Front
Connection indicator	NO	NO	NO	NO	NO	NO
Temperature indicator light	YES	YES	YES	YES	NO	NO
Heating indicator light	YES	YES	YES	YES	NO	NO
Safety						
Overheating Protection	YES	YES	YES	YES	YES	YES
Protection temperature °C	69	82	82	82	101	101
Antifreeze protection	NO	NO	NO	NO	NO	NO
Protection against humidity	IPX4	IPX4	IPX4	IPX4	IPX4	IPX4
Highest Pressure (Mpa)	0,75	0,75	0,75	0,75	0,75	0,75
Magnesium Anode dimensions (mm)	ø22*296	ø22*296	ø22*234	ø22*234	ø18*110	ø18*110
Power connection						
Rated power (W)	1500	1500	1500	1500	1500	1500
Voltage range (V)	220-240	220-240	220-240	220-240	220-240	220-240
Frequency (Hz)	50/60	50/60	50/60	50/60	50/60	50/60
Rated current (A)	6,52	6,52	6,52	6,52	6,52	6,52
Power cord length (m)	1,5	1,5	1,5	1,5	1,5	1,5

HOBBS

		LOADINGS			LANGUAGE MANUAL																								
CODE	MODEL	40HC	40'	20'	ES	EN	FR	PT	DE	IT	NL	DA	FI	SV	EL	RU	PL	HU	ZH	NO	AR	UK	RO	LT	KO	HE	CZ	SK	SR
08024202	IDF 9012 PRO BK	945	860	400	ES	EN	FR	PT																					
08081206	IDF 8021 PRO BK	990	900	420	ES	EN	FR	PT																					
08026001	GIGA 750 BK	1194	1058	519	ES	EN	FR	PT	DE							RU	PL						UK						
08026002	GIGA 600 BK	1469	1302	638	ES	EN	FR	PT	DE							RU	PL						UK						
08026003	GIGA 600 WH	1469	1302	638	ES	EN	FR	PT	DE							RU	PL						UK						
08026609	GIGA 600 SD	1469	1302	638	ES	EN	FR	PT	DE							RU	PL						UK						
08000405	AS 750	392	392	196	ES	EN	FR	PT																					
08000406	AS 600	342	285	135	ES	EN	FR	PT	DE																				
08024402	INSB 9012 BK /A	945	860	400	ES	EN	FR	PT																					
08081401	INSB 8021 BK /A	990	900	420	ES	EN	FR	PT																					
08063404	INSB 6032 BK /A	1440	1200	550	ES	EN	FR	PT																					
08053000	INSB 6030 WH	1440	1200	550	ES	EN	FR	PT																					
08063500	INSB 6028 BK	1440	1200	550	ES	EN	FR	PT																					
08063122	INSB 6003E2 BK 220-240V 50-60Hz	1440	1200	550	ES	EN	FR	PT	DE																				
08063123	INSB 6003E2 WH 220-240V 50-60Hz	1440	1200	550	ES	EN	FR	PT	DE																				
08063116	IBS 6303E2 220-240V 50-60Hz	1440	1200	550	ES	EN	FR	PT	DE																				
08063120	IB 6303E2 BK 220-240V 50-60Hz	1440	1200	550	ES	EN	FR	PT	DE																				
08063121	IB 6403E2 BK 220-240V 50-60Hz	1440	1200	550	ES	EN	FR	PT	DE																				
08074007	IB 5003 BK	900	800	380	ES	EN	FR	PT	DE	IT	NL					RU	PL	HU				AR	UK	LT			CZ	SK	SR
08063119	IB 6324E2 BK 220-240V 50-60Hz	1440	1200	550	ES	EN	FR	PT	DE																				
08081210	IB 853 BK/A	1736	1539	755	ES	EN	FR	PT	DE	IT	NL					RU	PL	HU				AR	UK	LT			CZ	SK	SR
08027208	IB 2 PLUS BK /A	792	1400	700	ES	EN	FR	PT	DE	IT	NL					RU	PL	HU				AR	UK	LT			CZ	SK	SR
08003405	ISB 3102 BK /A	2700	2300	1100	ES	EN	FR	PT	DE	IT	NL					RU	PL	HU				AR	UK	LT			CZ	SK	SR
08063413	TDM 6003	1800	1800	900	ES	EN	FR	PT	DE	IT	NL					RU	PL	HU				AR	UK	LT			CZ	SK	SR
08040011	TN 604 /B	1800	1800	900	ES	EN	FR	PT	DE	IT	NL					RU	PL	HU				AR	UK	LT			CZ	SK	SR
08072202	604 HVI /C	960	-	-	ES	EN	FR	PT	DE	IT	NL					RU	PL	HU				AR	UK	LT			CZ	SK	SR
08063212	TT 6003	1800	1800	900	ES	EN	FR	PT	DE	IT	NL					RU	PL	HU				AR	UK	LT			CZ	SK	SR
08063411	TD 6003 BK /A	1800	1800	900	ES	EN	FR	PT	DE	IT	NL					RU	PL	HU				AR	UK	LT			CZ	SK	SR
08077001	TT 5003 /G	1800	1800	900	ES	EN	FR	PT	DE	IT	NL					RU	PL	HU				AR	UK	LT			CZ	SK	SR
08060405	TD 3002 BK /B	3100	3100	1512	ES	EN	FR	PT	DE	IT	NL					RU	PL	HU				AR	UK	LT			CZ	SK	SR
08049007	VI 302 /D	1920	-	-	ES	EN	FR	PT	DE	IT	NL					RU	PL	HU				AR	UK	LT			CZ	SK	SR
08005404	LCI 9041 BK	750	650	312	ES	EN	FR	PT	DE	IT	NL					RU	PL	HU				AR	UK	LT			CZ	SK	SR
08046410	L-7005 CI	1080	936	429	ES	EN	FR	PT	DE	IT	NL					RU	PL	HU				AR	UK	LT			CZ	SK	SR
08041100	LCI 6031 WH	1125	975	481	ES	EN	FR	PT	DE	IT	NL					RU						AR							
08041500	LCI 6031 BK	1125	975	481	ES	EN	FR	PT	DE	IT	NL					RU						AR							
08041503	LCIB 6031 BK	1125	975	481	ES	EN	FR	PT	DE	IT	NL					RU						AR							
08041501	CCI 6031 BK	1125	975	481	ES	EN	FR	PT	DE	IT	NL					RU						AR							
08041412	CI 631 BK /A	1125	975	481	ES	EN	FR	PT	DE	IT	NL					RU						AR							
08068400	CIB 6031 BK	1125	975	481	ES	EN	FR	PT	DE	IT	NL					RU						AR							
08068401	LCI 6021 BK	1125	975	481	ES	EN	FR	PT	DE	IT	NL					RU						AR							
08068403	LCIB 6021 BK	1125	975	481	ES	EN	FR	PT	DE	IT	NL					RU						AR							
08068405	SCI 6021 BK	1125	975	481	ES	EN	FR	PT	DE	IT	NL					RU						AR							
08068501	CCI 6021 BK	1125	975	481	ES	EN	FR	PT	DE	IT	NL					RU						AR							
08068309	CI 6021 BK	1125	975	481	ES	EN	FR	PT	DE	IT	NL					RU						AR							
08068402	CIB 6021 BK	1125	975	481	ES	EN	FR	PT	DE	IT	NL					RU						AR							
08041505	CCI 5003 BK	1125	975	481	ES	EN	FR	PT	DE	IT	NL					RU	PL	HU				AR	UK	LT			CZ	SK	SR
08047410	SCI 3002 BK	1802	1680	840	ES	EN	FR	PT	DE	IT	NL					RU	PL	HU				AR	UK	LT			CZ	SK	SR
08028403	RCI 631 BK	900	780	390	ES	EN	FR	PT	DE	IT	NL					RU						AR							
08005350	LGI 9041 X	750	650	312	ES	EN	FR	PT	DE	IT	NL					RU	PL	HU				AR	UK	LT			CZ	SK	SR
08045305	LGI 7041 X /A	1080	936	429	ES	EN	FR	PT	DE	IT	NL					RU						AR							
08066002	LGD 631 X	1080	936	455	ES	EN	FR	PT	DE	IT	NL					RU						AR							
08066011	GI 6031 X	1125	975	481	ES	EN	FR	PT	DE	IT	NL					RU						AR							
08066600	GI 6004 X	1125	975	481	ES	EN	FR	PT	DE	IT	NL					RU						AR							
08066312	GIB 6004 X	1125	975	481	ES	EN	FR	PT	DE	IT	NL					RU						AR							
08068308	GI 6021 X	1125	975	481	ES	EN	FR	PT	DE	IT	NL					RU						AR							
08068310	GIB 6021 X	1125	975	481	ES	EN	FR	PT	DE	IT	NL					RU						AR							
08039600	GI 3002 X /A	1802	1680	840	ES	EN	FR	PT	DE	IT	NL					RU	PL	HU				AR	UK	LT			CZ	SK	SR

KITCHENWARE

		LOADINGS			LANGUAGE MANUAL																								
CODE	MODEL	40HC	40'	20'	ES	EN	FR	PT	DE	IT	NL	DA	FI	SV	EL	RU	PL	HU	ZH	NO	AR	UK	RO	LT	KO	HE	CZ	SK	SR
03000005	SET NEW YORK	1432	1232	584	ES	EN	FR	PT	DE																				
03000006	SET PROFESSIONAL	2058	-	-	ES	EN	FR	PT	DE																				
03017400	PARRILLA BARBACOA	4160	4160	2128																									

DISHWASHERS

		LOADINGS			LANGUAGE MANUAL																								
CODE	MODEL	40HC	40'	20'	ES	EN	FR	PT	DE	IT	NL	DA	FI	SV	EL	RU	PL	HU	ZH	NO	AR	UK	RO	LT	KO	HE	CZ	SK	SR
07200078	LVI 62014	162	108	54																									
07200080	LVI 48010	248	168	80																									
07200079	LVI 62012	162	108	54																									
07820081	LVI 47010	248	168	80																									

WASHING MACHINE

		LOADINGS			LANGUAGE MANUAL																								
CODE	MODEL	40HC	40'	20'	ES	EN	FR	PT	DE	IT	NL	DA	FI	SV	EL	RU	PL	HU	ZH	NO	AR	UK	RO	LT	KO	HE	CZ	SK	SR
07900002	LI08014/A	114	114	54	ES	EN																							

COOLING

		LOADINGS			LANGUAGE MANUAL																								
CODE	MODEL	40HC	40'	20'	ES	EN	FR	PT	DE	IT	NL	DA	FI	SV	EL	RU	PL	HU	ZH	NO	AR	UK	RO	LT	KO	HE	CZ	SK	SR
07800078	CI-54177 SI /D	105	80	40																									
07800079	CI-54177 NF /C	105	80	40																									
07751006	VI 15107 X	704	600	288	ES	EN	FR	PT	DE																				
07751007	VI 30117 X	397	304	144	ES	EN	FR	PT	DE																				
07751008	VI 54024 X	269	216	108	ES	EN	FR	PT	DE																				
07702004	VI 59082 X /A	171	114	54	ES	EN	FR	PT	DE																				
07701404	VI 59082 BK	170	114	54																									

SINKS

		LOADINGS		
CODE	MODEL	40HC	40'	20'
02625006	CB 50-40 R10	940	800	380
02621006	CB 45-40 R10	1100	930	430
02624006	CB 40-40 P R10	1170	990	470
02624016	CB 40-40 R10	1170	990	470
02607101	CB-2 /A	650	520	240
02625300	CB 50-40	960	800	380
02621009	CB 45-40	1070	930	430
02624007	CB 40-40 /D	1100	930	430
02624302	CBP 40-40 /A	1170	990	470
02624008	CBS-1 40-40 D R10	494	419	194
02624009	CBS-2 40-40 R10	494	419	194
02624010	CBS-1 54-40 R10	696	590	274
02606603	CDL-1 REV	720	620	290
02606601	CDL-1 EI	720	620	290
02606602	CDL-1 ED	720	620	290
02606503	CDP-1 REV	682	604	296
02606501	CDP-1 EI	682	604	296
02606502	CDP-1 ED	682	604	296
02603300	RD-1 REV	730	600	280
02606400	CDS-1 REV	1158	1026	503
02606401	CDS-1 EI	1158	1026	503
02606402	CDS-1 ED	1158	1026	503
02607102	C-2 AG /B	670	570	270
02604209	R-2 AG	650	580	700
02612300	CSS60-1	920	750	350
02612400	CSS-1	1300	1050	480
02612101	CS-1	1120	950	450
02602100	RS-1/A	1060	900	920

TAPS

		LOADINGS		
CODE	MODEL	40HC	40'	20'
02507400	CPA	4224	3876	1938
02506400	CPB	5808	5236	2584
02506300	XPB	7326	6732	3060
02500301	XSE	9000	7800	3600
02500401	CSE	7360	6160	2720
02500601	BSE	7360	6160	2720
02500400	CSA/B	7360	6160	2720
02503400	CMA/G	7360	6160	2720
02502400	CBA/C	7360	6160	2720
02501400	CBB/B	7360	6160	2720



KITCHENWARE



APT FOR
INDUCTION HOB



APT FOR
GAS HOB



APT FOR
ELECTRIC HOB



APT FOR
VITROCERAMIC HOB

WHITE GOODS & WINE COOLERS



EXTRA
SILENT



LED



3RD LAYER
CUTLERY BASKET



NO FROST



PLUG

SINKS & TAPS



UNDERMOUNT



TOP MOUNT



INSTALLATION IN
Xcm UNIT



BOWL DEPTH

ENERGY CLASS





CATA ELECTRODOMÉSTICOS S.L.

Tlf: +34 938 594 100.- Fax +34 938 594 101.

www.cata.es - www.cnagroup.es - cna@cnagroup.es

Headquarters: c/ Anabel Segura, 11, Edif. A, 3a pl. 28108. Alcobendas (Madrid. Spain)

Factory: c/ del Ter, 2, Apdo. 9. 08570. Torelló (Barcelona. Spain)

CNA
group

cata

edesa

NODOR

Apelson