

WELCOME  
TO FIRST CLASS

Sirius S.p.a., established in 1996, operates in the market sector of residential air ventilation and purification, in particular it produces cooker hoods for residential kitchens.

Quality, innovation, professional competence, technology and design are rolled into one with a clear and dynamic commercial policy that has permitted a rapid growth of the company, ensuring market penetration throughout the world.

Sirius has, in a short time, become a world leader in the sector of high quality decorative cooker hoods, encompassing a wide product range and exporting 90% of its production.

The strategic choices accomplished in the technical productivity sectors, dictated by many years of experience, have been of fundamental importance for the growth and success of the company.

A wide range of products, different technological possibilities and innovation, functionality of the components used, such as the motors, and different ventilation components represent a combination between design and functionality.

This gives the clients a wide choice, to meet all of their ventilation needs. Our company's philosophy, innovative in the market of residential kitchen ventilation, aims to maintain and improve the high quality standards of our production in style, technology and design, which are synthesized by the realization of modular and innovative ventilation systems.





# SINCE 1996, WE LIKE TO BE FIRST



- 1997 the FIRST one to use the aluminum motor
- 2005 the FIRST one to market the downdraft hood
- 2007 the FIRST one to market the ceiling hood
- 2014 the FIRST one to create range hoods in ceramic
- 2019 the FIRST one to market a new concept of ceiling hoods
- 2022 the FIRST one to create autonomous and automatic range hoods

## DESIGN & TECHNOLOGY



### MANAGE YOUR RANGE HOOD WITH YOUR SMARTPHONE THROUGH SIRIUS APP

Interact and control your range hood, in a fast and efficient manner, even remotely.

Our new technology replaces and widens the functionalities of traditional controls.

Easy and intuitive to use, it allows adjusting lighting and suction power and, in some specific models, it can even monitor and detect air quality.

Sirius App sets up automatically according to the technical and functional specifications of the purchased model.

Its technology alerts the user if a maintenance action is required (e.g. replacement of filters).

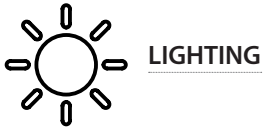


**MANAGE YOUR RANGE  
HOOD THROUGH THE VOCAL  
ASSISTANTS GOOGLE HOME  
OR ALEXA**

Turn your range hood on and select the suction speed, then think only about the pleasure of cooking.

Manage the lighting, choose the color temperature you prefer, from hot to cold light, increase or reduce its intensity.





The latest generation LEDs in our range hoods allow to manage light intensity by increasing or decreasing its power and choose colour temperature from warm to cold light (from 2700°K to 6500°K), thus adapting hood lighting to the light of your domestic environment.

The lighting surface in our lighting system is perfectly homogeneous since there are no overshadows.





## **BRUSHLESS** **motors**

High suction efficiency

Using a brushless motor allows to lower the consumption (kw/h) by 85% when the appliance is used in the low – medium speeds and by 35% in high speeds.

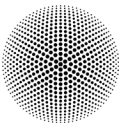
### **Quietness**

This is the quietest motor in the market and its performances remain stable in any given use condition, even with complicated installations.

### **Longer life of the product**



**ENERGY SAVING**



## **HIGH EFFICIENCY** **carbon filter**

**High efficiency carbon filters** allow a higher filtering efficiency compared to standard carbon grain filters.

These filters are made of a mold of foam in polyurethane, having activated carbon spheres in it and allowing high permeability of the air compared to normal carbon grain filters. At the same time, they allow the highest absorption of smells thanks to their top quality activated carbon.

The advantages of using a high efficiency carbon filter, instead of a typical carbon filter, are:

### **Higher filtering efficiency**

Smaller losses during air filtration

### **Long lasting**

To restore / regenerate high efficiency and washable filters it is necessary to wash them in the dishwasher and then put them for 1 hour into the oven at max 90°C.

**EFFICIENCY** is measured by the absorption capacity of the filter related to its weight. If the filter weight is 100g, an efficiency of 98.8 means that it can absorb 98.8g of greases.

**LIFESPAN** we took into account a standard use of 1 hour/day at medium speed level.

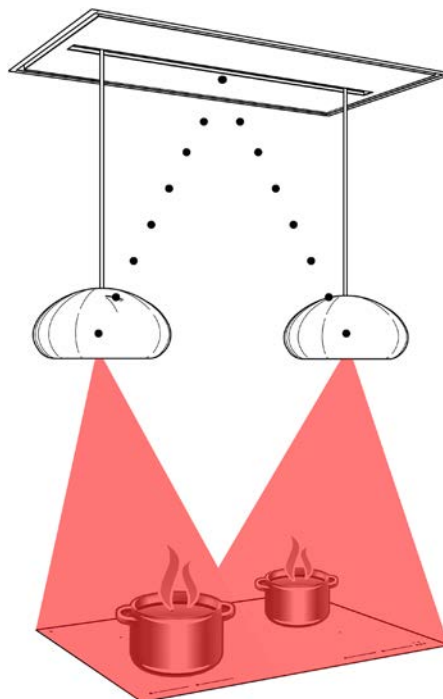


## ARTIFICIAL INTELLIGENCE SYSTEM - AIS

This innovative system, patented by Sirius, is made up of sensors and technologically advanced electronic devices working in synergy.

As you start cooking, the range hood autonomously activates and adjusts the suction power, by detecting constantly both the temperature and air quality while cooking.

This innovative technology allows an autonomous and automatic operation of products and is completely independent from the kind of hob you use (gas, induction, etc.).



## BI-POWER TECHNOLOGY

Sirius bi-power technology allows to get a high energy saving and a higher product efficiency, especially in range hoods in filtering version or range hoods installed in ducting version with ducts having diameters less than 150 mm.

The range hood is equipped with a 800 m<sup>3</sup>/h fan. Through this innovative technology and touch control, you can set the parameters of power capacity (m<sup>3</sup>/h), absorption (W) and noise level (dBA).

This means an improvement in terms of efficiency thanks to an airflow suitable for the application (filtering or ducts having diameters less than 150 mm), an energy saving of about 35% and a noise level reduction of about 12%.



ENERGY  
CONSUMPTION -35 %



NOISE LEVEL  
REDUCTION -12 %



## ANTI-DROP SYSTEM

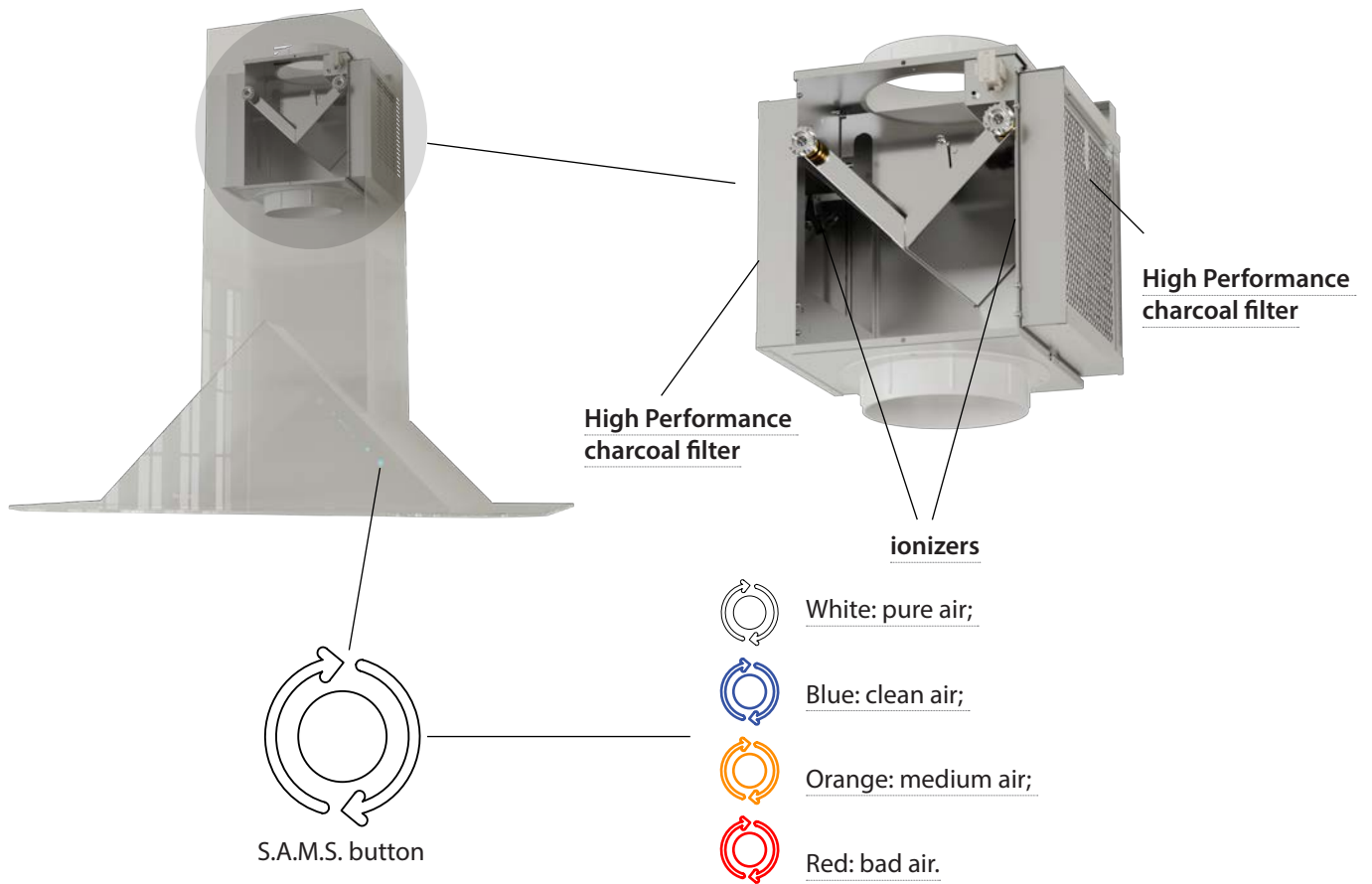


This is an innovative anti-condensation system, based on thermal resistances inside the glass panels or the stainless steel panels. By heating the surface in contact with the vapours coming from the induction hob, this system does not allow condensation or water drops to develop and fall on the hob.



Sirius range hood is equipped with an **air purification system** inside the upper chimney. This system is made up of an air quality sensor, 2 ionizers and a valve activated by a micromotor, allowing to exhaust fumes outside (ducting version) or towards charcoal filters and side ionizers (filtering version).

### Smart Air Management System



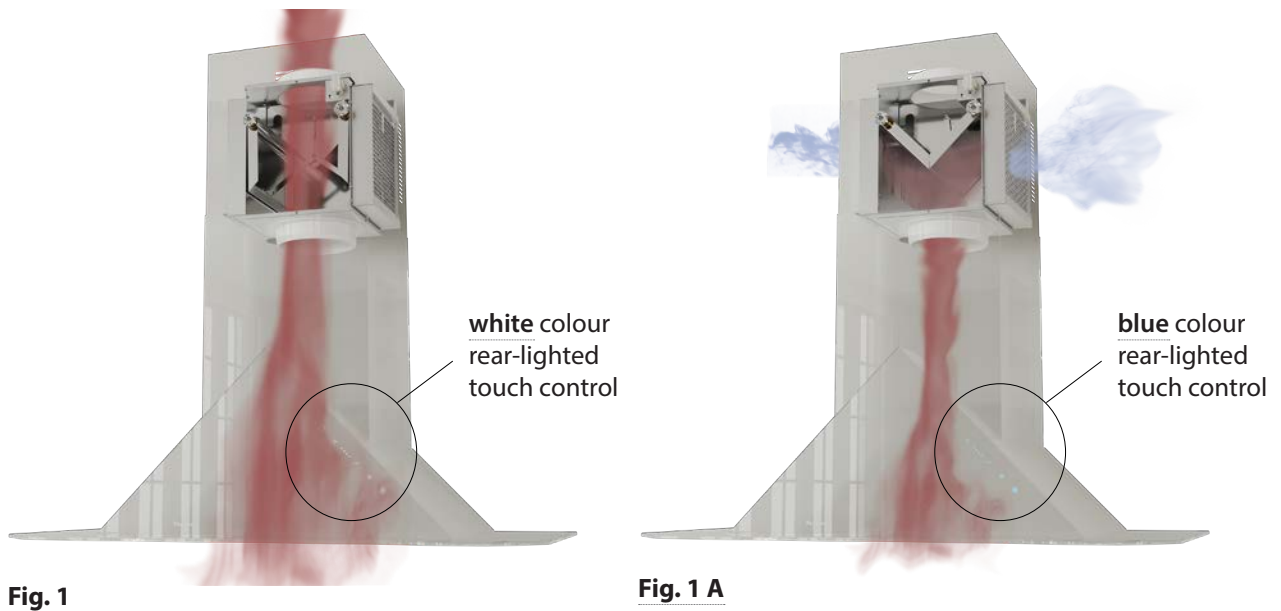
This range hood is equipped with a new Touch control having a S.A.M.S. button, indicating always the air quality through the color variation:

White: clean air; Blue: good air; Orange: medium air; Red: bad air.

By pressing the button "S.A.M.S.", you can change the version of the hood from ducting (open valve and air exhausted outside) to filtering and purifying (closed valve; fumes go out through the side grills of the chimney; the air returns to the kitchen once filtered and purified thanks to high efficiency charcoal filters and ionizers).



The **Smart Air Management System** is usually set in ducting version (Fig.1). The valve is open and fumes go outside through a ducting system. After installation, the product works as a standard range hood, with a white colour rear-lighted touch control.



After or while cooking, if the button (S.A.M.S) highlights a bad air quality, you can activate the Smart Air Management system by pressing this button (Fig.1A). The backlight of the touch control changes from white to blue colour. The valve closes, the ionizers start functioning and the air returns to the kitchen through the chimney side grills.

The process of filtration and air purification takes place through 2 High Performance charcoal filters and 2 ionizers. You can keep on using all the product functions as usual (change in speed, lights, etc). You can activate this new system even when the product is switched off, in case of bad quality air.

By pressing the button "S.A.M.S.," the range hood sets in filtering mode with motor at 1st speed. You can permanently set the Smart Air Management function during installation. You just have to hold down the button "S.A.M.S." for at least 3 seconds in order to set the product in ducting or filtering version.



### **THE PASSION OF CONCEIVING AND FINDING INNOVATIVE DESIGN SOLUTIONS**

The aesthetics of the products and the corporate image are entrusted with the architect Giacomo Fava, who explains Sirius philosophy this way:  
“Our mission is to imagine products that connect with the end user on an emotional and functional level. The creative approach entails a deep analysis of materials, technologies and human behaviors, with the aim to create objects that are simple, beautiful, clear, easy to use and long - lasting: objects with which you can fall in love. At the core of every single project there is a long work, that sees the tight cooperation and synergy between the company and all the entities involved in the production process, to create a good product which is introduced in the market at the right moment”.





# INDEX

## CERAMIC HANDMADE



ICON / P. 25



DUNE / P. 26



DERUTA / P. 29



HIVE / P. 30



LINK / P. 32

## DOWNDRAFT



STONE / P. 37



BALANCE / P. 39



SUNRISE / P. 40



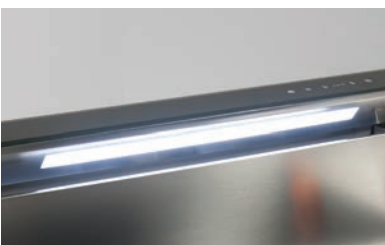
ESSENCE / P. 42



MIDDLE / P. 44



PUSH UP / P. 46



SDD2 LTC / P. 49



SDD2 L / P. 51

INSTALLATION  
SCHEMES  
DOWNDRAFT  
P. 52

**CEILING HOODS**



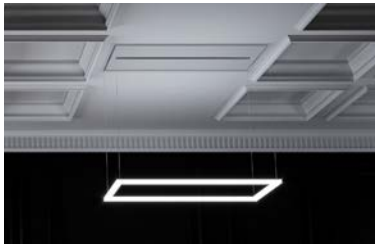
**INSIDE OUT / P. 64**



**SUPERNOVA / P. 66**  
**SUPERNOVA AUTOMATIC P. 69**



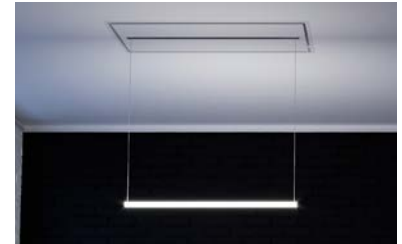
**SUPERNOVA LAMP / P. 71**



**KITE LIGHT / P. 75**



**KITE / P.77**



**LINE / P. 81**



**HALO LIGHT / P. 84**



**HALO / P. 87**



**ORIGAMI / P. 89**



**SCREEN / P. 91**



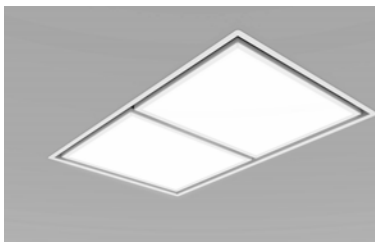
**FRAME / P. 93**



**LESS / P. 95**



**ATMOS / P. 97**



**ZENDRA / P. 99**



**SLT 958 / P. 101**





# INDEX

## DECORATIVE ISLAND



NEMESI / P. 104



SYMPHONY / P. 108



ROLL / P. 110



SILT 30/ P. 111



SILT 24 TC / P. 112



SILT 24 / P. 113



MO 404 / P. 114



MO 405 / P. 115

## WALL HOODS



ARROW / P. 119



TIKAL / P. 121



FLAT / P. 122



RADAR / P. 124



SLTC 119 / P. 126



APPLIQUE / P. 129



SKINNY / **P. 131**



JEEG / **P. 132**



SL TC 92 / **P. 134**



SL 92 / **P. 135**



SL 107 / **P.136**



SL TC 107 / **P.137**



SL 90 TC / **P.138**



SL 91 TC / **P.139**



SL109 / **P. 140**



SL 31 / **P. 141**



SL 89 / **P. 142**



MO 207 / **P. 143**



MO 208 / **P. 144**



# INDEX

## BUILT-IN PRODUCTS



WING / **P. 149**



SL 906 L / **P. 150**



SL 909 / **P. 151**



SLTC 928 / **P. 152**



SM 927 / **P.155**



SL 913 / **P.156**



SL 903 P / **P. 157**



SM 923-L / **P.158**



SM 905 / **P. 159**



SM-SL 900 / **P. 160**



SL 907 / **P. 161**



## VENTED INDUCTION HOBS



SYNTHESIS / **P. 165**



SENSE / **P. 166**



SHADOW / **P. 169**



SDDH1 / **P. 170**

INSTALLATION  
SCHEMES  
VENTED INDUCTION HOBS  
**P. 172**

## REMOTE MOTORS / **P. 176**

SEM1

SEM 2

SEM 5

SEM 7 BRH

SEM 8

SEM 9 BRH

SEM 10

SEM 12 BRH

## ACCESSORIES / **P.178**

## ENERGY DATA LABEL / **P. 179**





CERAMIC HANDMADE





Ceramic is an extraordinary material. Among the natural ones, it's the material that offers most versatility. Various methods of manufacturing allow many different applications. You can find it in the most diverse contexts: in a high school classroom, where students shape clay using a press during art classes or in the most technological and advanced implementations, such as the coverings of the Space Shuttle.

Though originating from the plain mixing of water and clay, it has the most resistant physical features.

Extraordinary objects have been carved out of this material: from Jo Ponti and Raymond Loewy's porcelains to the creations of the most influencing Italian design master, Ettore Sottsass.

In spite of its limitless potential, ceramic has always been considered as a material belonging to the world of arts, rather than industry. Apart from bathrooms, there are only few examples of ceramic applications for the production of industrial goods.

The curiosity of experimenting new languages in a pretty industrial field - as the one of electric appliances is - pushed us forward. It drew us to cross the border between art, handcraft and industry.

Thanks to the cooperation of professional figures coming from different fields such as, industrial designers, craftsmen, engineers and technical designers, we gave life to objects with a technological soul. Though being produced in series, they maintain that authenticity typical of the unique piece.





## ICON SILT 35

**Motor on board:**

600 m3/h

230W

63dBA

**Lighting:**

Dimmable and dynamic round Led 6W  
(2700 to 6500°K)

**Control panel:**

Remote control

**Filter:**

Stainless Steel and anodized aluminum

Washable carbon filter KF31

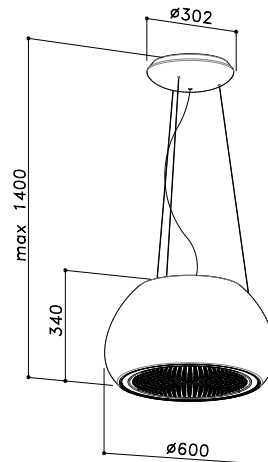
**Material:**

Handmade ceramic

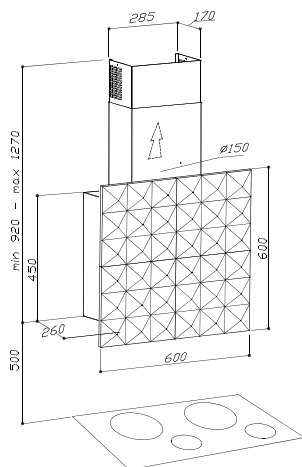
**Finishing:**

White/Black matt

Only filtering version



## DUNE SL116



**Motor on board:**

Top or back vented

**Lighting:**

3,75W Dimmable and dynamic Led bar (2700 to 6500°K)

**Control panel:**

Chromed 4 speeds push-button+light switch+timer

**Filter:**

Anodized aluminum (5+1 layers)

**Material:**

Stainless Steel, handmade ceramic

**Finishing:**

Matt black or matt white painted front panel

product dim. motor model identifier EEC  
SL116 600 on-board P116060PB1364022 A



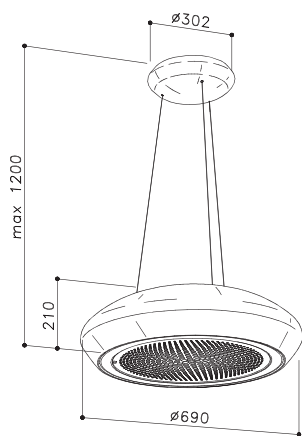




DERUTA LAMP



DERUTA RANGE HOOD



**Motor on board:**

550 m3/h

110W

68dBA

**Lighting:**

Dimmable and dynamic round Led 7,5W  
(2700 to 6500°K)

**Control panel:**

Remote control

**Filter:**

Stainless Steel and anodized aluminum  
Washable carbon filter KF38

**Material:**

Handmade ceramic

**Finishing:**

Gold/Copper/White

Only filtering version

Available in lamp version

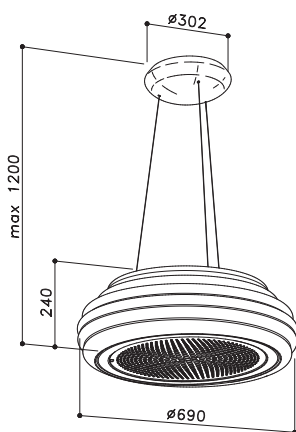
**Lighting:**

round neon 82W

**DERUTA** SILT 26



## HIVE SILT 27



### **Motor on board:**

550 m<sup>3</sup>/h

110 W

68 dBA

### **Lighting:**

Dimmable and dynamic round Led 7,5W  
(2700 to 6500°K)

### **Control panel:**

Remote control

### **Grease filter:**

Stainless Steel and anodized aluminum  
Washable carbon filter KF38

### **Material:**

Handmade ceramic

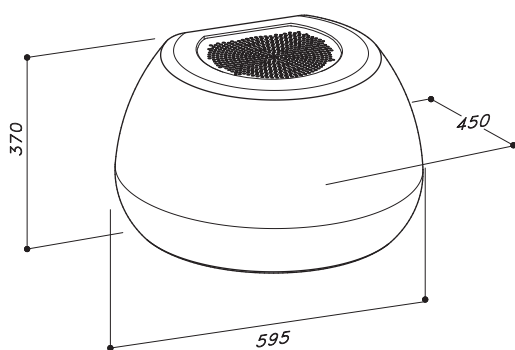
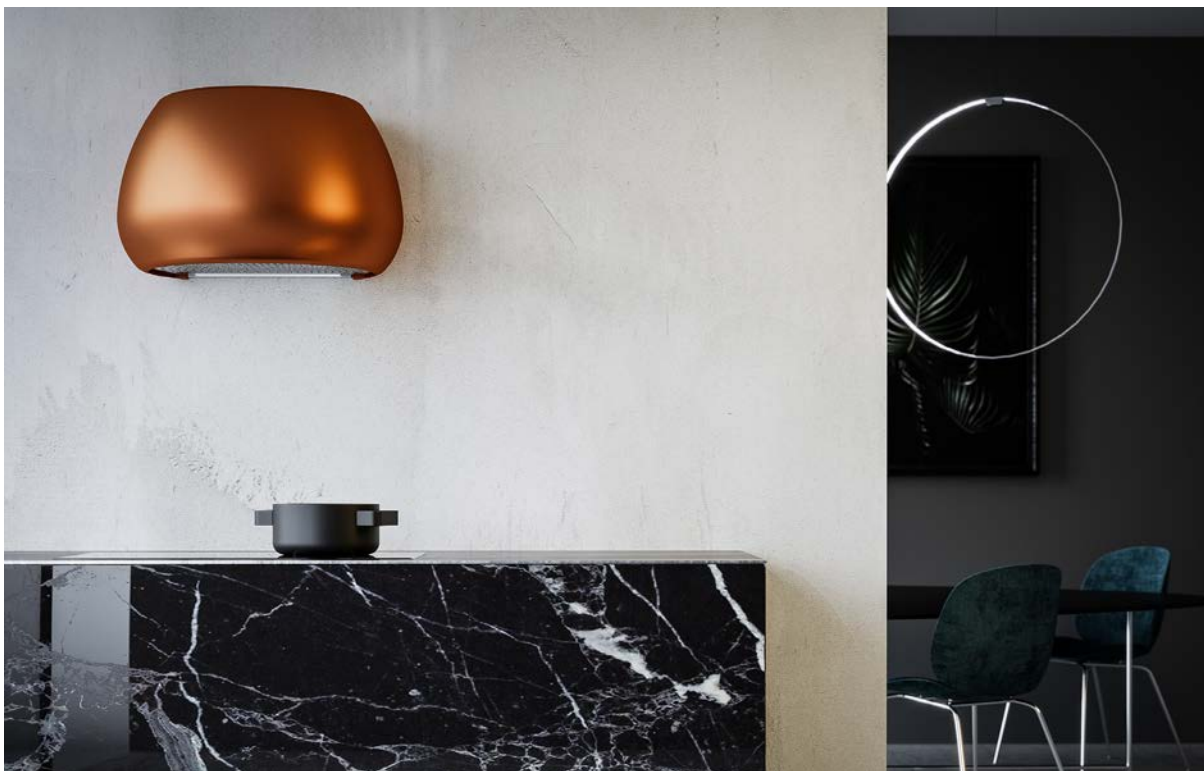
### **Finishing:**

Copper/White





## LINK SLT 106



### **Motor on board:**

600 m3/h

230W

65dBA

### **Lighting:**

3,75W Dimmable and dynamic Led bar (2700 to 6500°K)

### **Control panel:**

Remote control

### **Grease filter:**

Stainless Steel and anodized aluminum

Washable carbon filter KF40

### **Material:**

Handmade ceramic

### **Finishing:**

Gold/Copper/Matt Black/White









# DOWNDRAFT



**Motor:**

available with motor on board or external motor (to be purchased separately)

**Lighting:**

1x5W Led strip (835mm version)  
1x9W Led strip (1135mm version)

**Control:**

Touch control 4 speeds+timer+light

**Filter:**

Anodized aluminum (4+1 layers)

**Material:**

Stainless steel AISI304

**Cut out:**

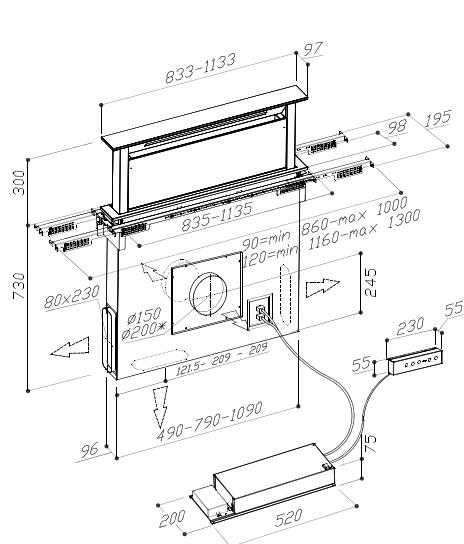
Create a niche in the countertop using the following dimensions

100x837mm (835mm version)  
100x1137mm (1135mm version)

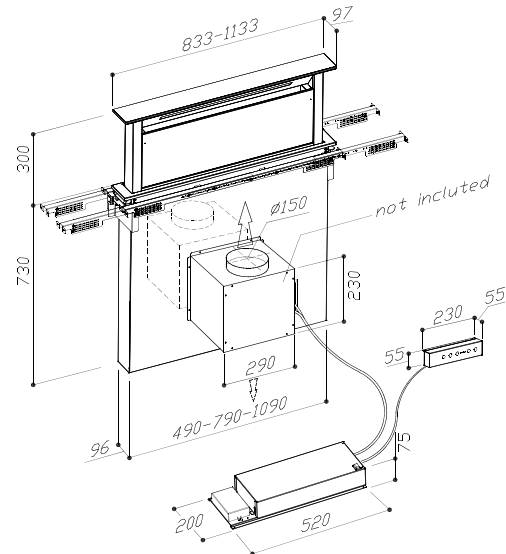
**Stone** allows to customise the cover with the same material of the worktop, thus obtaining a flush top effect

product	dim.	motor	model identifier	EEC
STONE	835	on-board	D002088PB1282415	A
STONE EM	835	SEM1	D002088PB1292415	B
STONE EM	835	SEM2	D002088PB1152415	C
STONE EM	835	SEM8	D002088PB1172415	C
STONE EM	835	SEM10	D002088PB1302415	C
STONE EM	835	SEM12	D002088PB1312415	A
STONE	1135	on-board	D002118PB1282717	A
STONE EM	1135	SEM1	D002118PB1292717	A
STONE EM	1135	SEM2	D002118PB1152717	C
STONE EM	1135	SEM8	D002118PB1172717	B
STONE EM	1135	SEM10	D002118PB1302717	C

**Anti-crushing safety system**



external motor



motor on board



# STONE





**Motor:**

available with motor on board or external motor (to be purchased separately)

**Lighting:**

Led strip 5W

**Control panel:**

Touch control 4 speeds+light switch+timer

**Filter:**

Aluminum anodized (5+1 layers) with integrated oil collector

**Material:**

Polished stainless steel and glass

**Finishing:**

Black

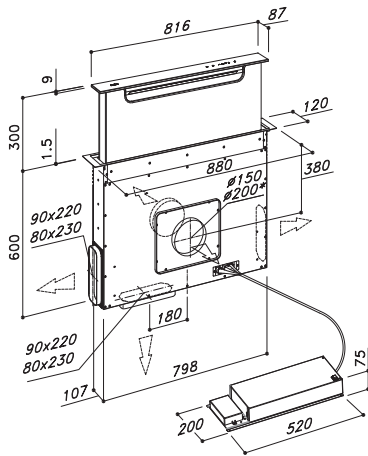
White

**Anti-crushing safety system**

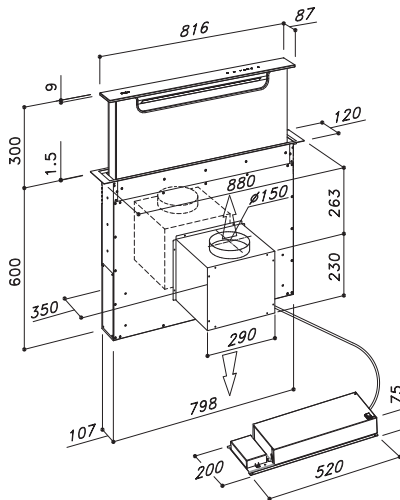
**Cut out:**

Create a niche in the countertop using the following dimensions:

108x826 mm



external motor



motor on board



filter with oil collector

product	dim. motor	model identifier	EEC
S-DD18	880 on-board	D018088TC1282472	A
S-DD18 EM	880 SEM1	D018088TC1292472	A
S-DD18 EM	880 SEM2	D018088TC1152472	C
S-DD18 EM	880 SEM8	D018088TC1172472	B
S-DD18 EM	880 SEM10	D018088TC1302472	B
BRH S-DD18 EM	880 SEM12	D018088TC1312472	A

## BALANCE S DD 18



# SUNRISE S DD 13

**Motor:**

available with motor on board or external motor  
(to be purchased separately)

**Lighting:**

led strip 9,5W

**Control panel:**

Remote control 4 speeds+light switch+timer

**Filter:**

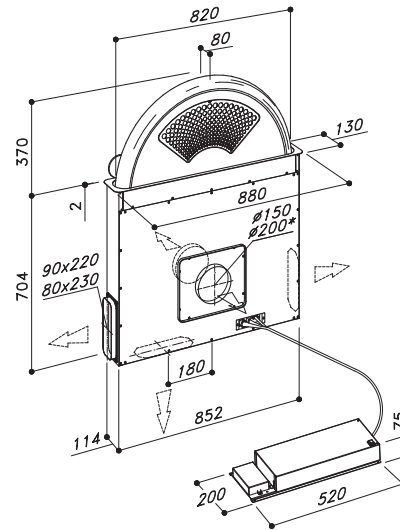
Polished stainless steel and anodized aluminum filter

**Material:**

Stainless Steel/Aluminum/Glass

**Finishing:**

Black



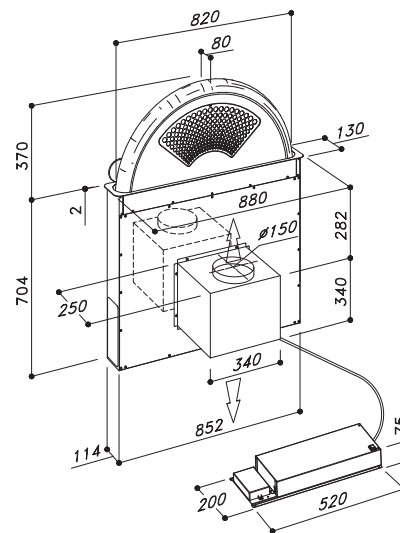
external motor

**Cut out:**

Create a niche in the countertop using the following dimensions:

115x850mm

**Anti-crushing safety system**



motor on board

product	dim. motor	model identifier	EEC
S-DD13	880 on-board	D013088TC1283163	A
S-DD13 EM	880 SEM1	D013088TC1293163	A
S-DD13 EM	880 SEM2	D013088TC1153163	B
S-DD13 EM	880 SEM8	D013088TC1173163	C
S-DD13 EM	880 SEM10	D013088TC1303163	C



## ESSENCE S DD 16



### Motor:

external motor (to be purchased separately)

### Control panel:

Touch control 4 speeds+timer

### Filter:

Anodized aluminium filter with oil collector

### Material:

Painted stainless steel and glass

### Frame Finishes:

Black

Stainless steel

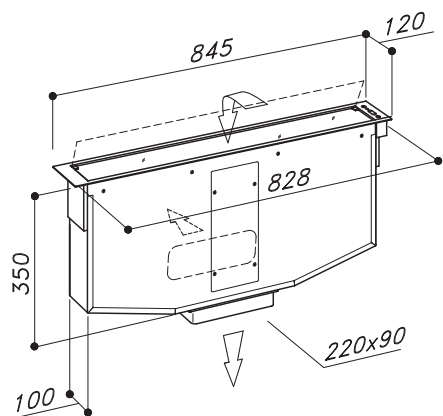
### Cut out:

Create a niche in the countertop using the following dimensions:

102x832 mm

### Anti-crushing safety system

Suction opening by 45° and 90°



product	dim.	motor	model identifier	EEC
S-DD16 EM 845	SEM1		D016085TC129XX61 A	
S-DD16 EM 845	SEM2		D016085TC115XX61 B	
S-DD16 EM 845	SEM10		D016085TC130XX61 B	
BRH S-DD16 EM 845	SEM12		D016085TC131XX61 B	





## MIDDLE S DD 20



Thickness perfect to match domino hobs (4mm for glass, 1mm for inox)

**Motor:**

Motor on board (Brushless)

**Control panel:**

Touch control 4 speeds+timer

**Filter:**

Anodized aluminum

**Material:**

Stainless steel and glass

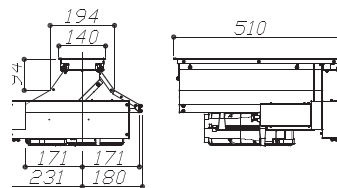
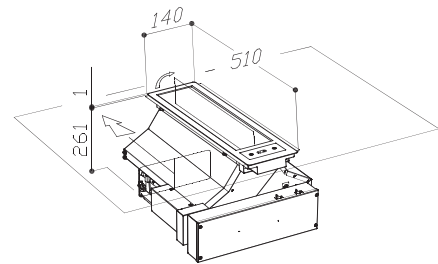
**Finishing:**

Black ceramic glass frame and black ceramic glass panel

Stainless steel frame and stainless steel panel

**Cut out:**

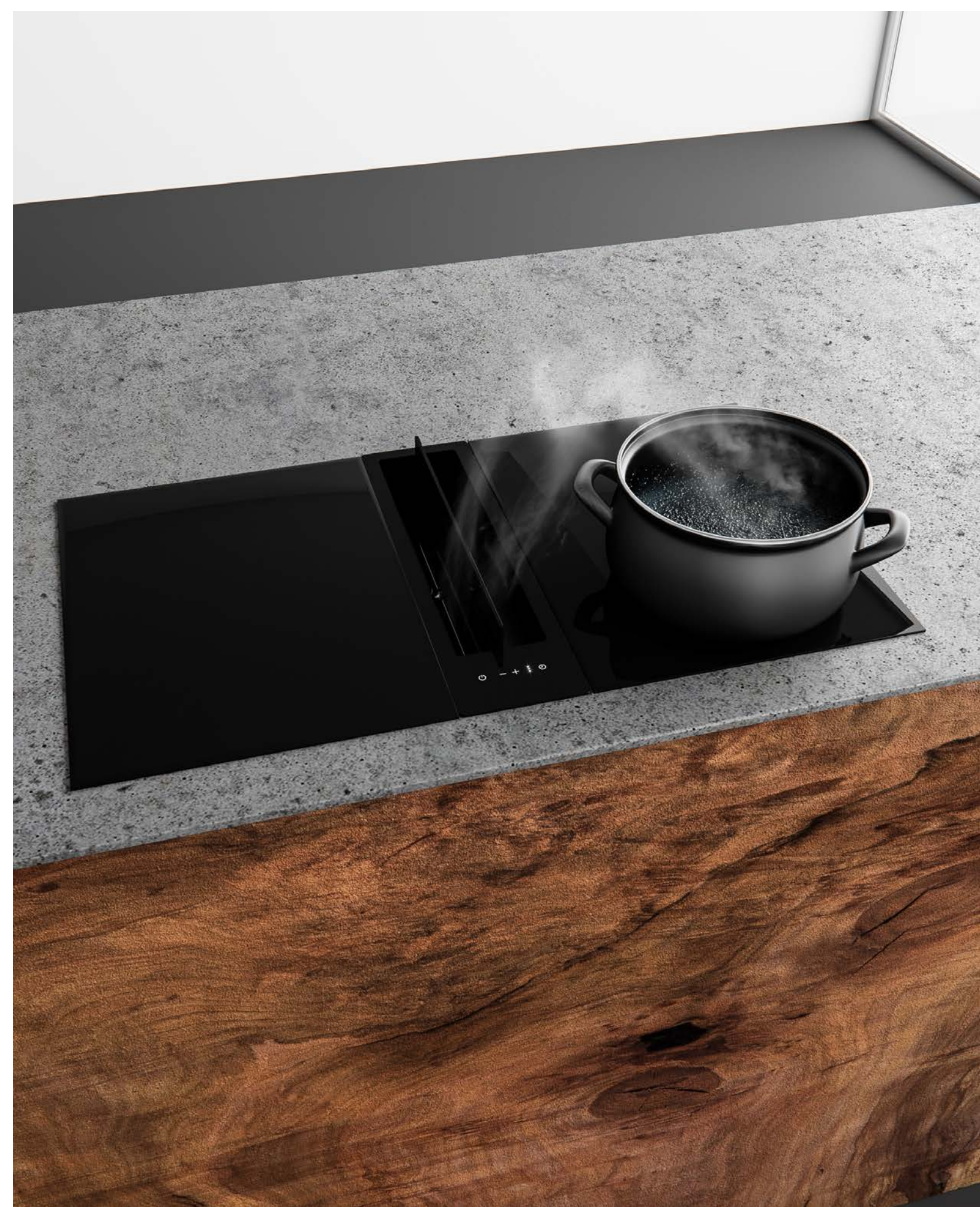
RECTANGULAR OPENING: 490mm x (according to the sizes of the hobs)



**Anti-crushing safety system**

product	motor	model identifier	EEC
S-DD20 INOX BRHM	on board	D020052TC135XX74	A++
S-DD20 GLASS BRHM	on board	D020052TC135XX74	A++





# PUSH UP S DD 11



**Motor:**

available with motor on board or external motor  
(to be purchased separately)

**Lighting:**

2x3,9W Strip Led

**Control:**

4 speeds push-button+light switch+timer

**Filter:**

Polished stainless steel and anodized aluminum

**Material:**

Stainless Steel and glass

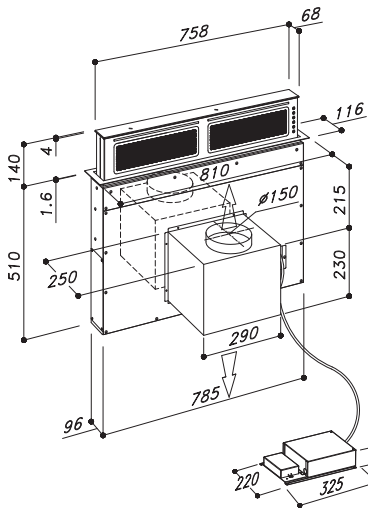
**Finishing:**

Black

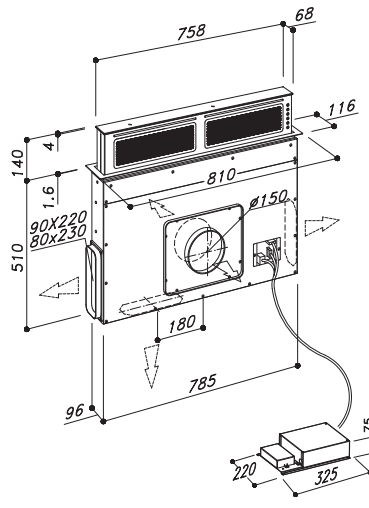
White

**Cut out:**

Create a niche using the following dimensions:  
100x790 mm



motor on board



external motor

product	dim. motor	model identifier	EEC
S-DD11 X	810 on-board	D011088PB1282219	B
S-DD11 EM X	810 SEM1	D011088PB1292219	B
S-DD11 EM X	810 SEM2	D011088PB1152219	C
S-DD11 EM X	810 SEM10	D011088PB1302219	C
BRH S-DD11 EM X	810 SEM12	D011088PB1312219	C









**Motor:**

available with motor on board or external motor (to be purchased separately)

**Lighting:**

1x6,5W Led strip (S-DD2-L 575mm version)

1x5W Led strip (S-DD2-L 875mm version)

1x9W Led strip (S-DD2-L 1175mm version)

**Control panel:**

Touch control 4 speeds+light switch+timer

**Grease filter:**

Anodized aluminum (4+1 layers)

**Material:**

Stainless steel AISI304 and glass

**Cut out:**

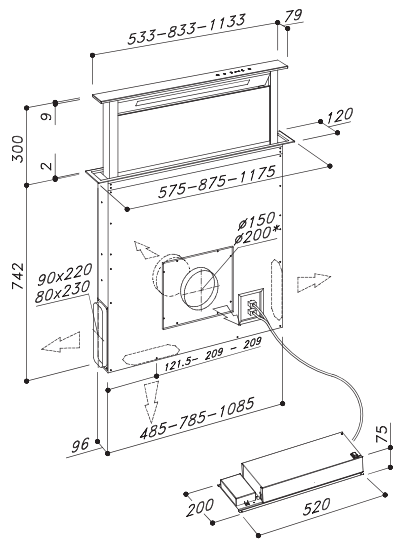
Create a niche in the countertop using the following dimensions

100x542 mm (S-DD2-L 575mm)

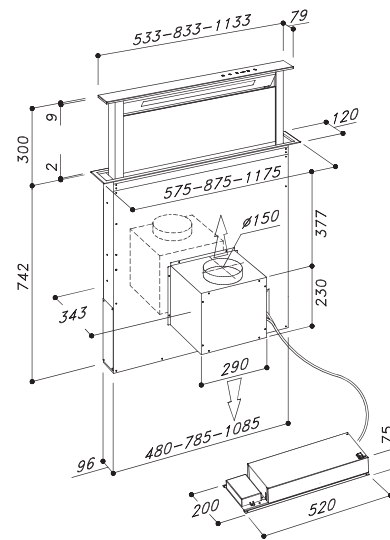
100x842 mm (S-DD2-L 875mm)

100x1142 mm (S-DD2-L 1175mm)

**Anti-crushing safety system**



external motor



motor on board

## S DD 2 L TC



product	dim.	motor	model identifier	EEC
SDD2 - L EM 580 TC (LED)	575	on-board	D002058TC1280116	B
SDD2 - L EM 580 TC (LED)	575	SEM1	D002058TC1290116	B
SDD2 - L EM 580 TC (LED)	575	SEM2	D002058TC1150116	C
SDD2 - L EM 580 TC (LED)	575	SEM8	D002058TC1170116	C
SDD2 - L EM 580 TC (LED)	575	SEM10	D002058TC1300116	C
SDD2 - L 880 (LED) TC	875	on-board	D002088TC1282415	A
SDD2-EM-L 880 (LED) TC	875	SEM1	D002088TC1292415	B
SDD2-EM-L 880 (LED) TC	875	SEM2	D002088TC1152415	C
SDD2-EM-L 880 (LED) TC	875	SEM7 Ø150	D002088TC1162415	A+
SDD2-EM-L 880 (LED) TC	875	SEM7 Ø200	D002088TC1162415	A+
SSDD2-EM-L 880 (LED) TC	875	SEM8	D002088TC1172415	C
SDD2-EM-L 880 (LED) TC	875	SEM10	D002088TC1302415	C
SDD2-EM-L 880 (LED) TC	875	SEM12	D002088TC1312415	A
SDD2-L EM 1200 (LED) TC	1175	on-board	D002118TC1282717	A
SDD2-L EM 1200 (LED) TC	1175	SEM1	D002118TC1292717	A
SDD2-L EM 1200 (LED) TC	1175	SEM2	D002118TC1152717	C
SDD2-L EM 1200 (LED) TC	1175	SEM8	D002118TC1172717	B
SDD2-L EM 1200 (LED) TC	1175	SEM10	D002118TC1302717	C



**Motor:**

available with motor on board or external motor (to be purchased separately)

**Lighting:**

1x6,5W Led strip (S-DD2-L 575mm version)

1x5W Led strip (S-DD2-L 875mm version)

1x9W Led strip (S-DD2-L 1175mm version)

**Control panel:**

Touch control 4 speeds + light switch + timer

**Grease filter:**

Anodized aluminum (4+1 layers)

**Material:**

Stainless steel AISI304

**Anti-crushing safety system**

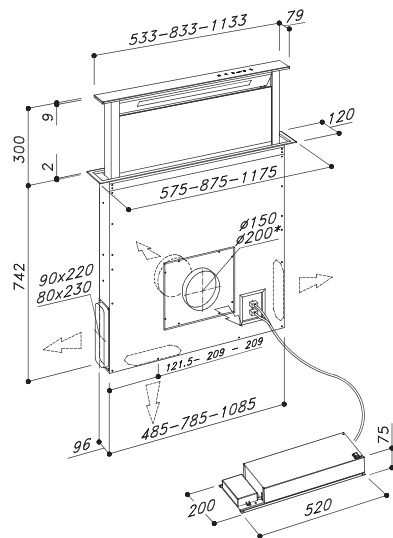
**Cut out:**

Create a niche in the countertop using the following dimensions

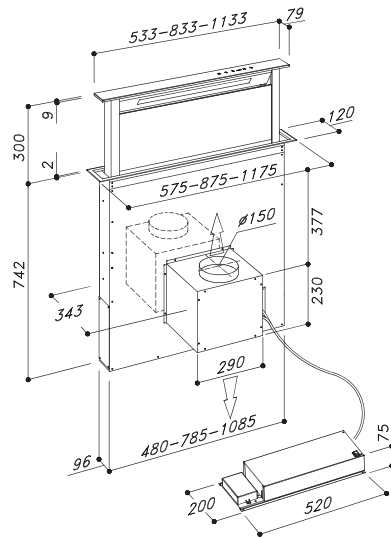
100x542 mm (S-DD2L 575 mm)

100x842 mm (S-DD2L 875 mm)

100x1142 mm (S-DD2L 1175 mm)



external motor



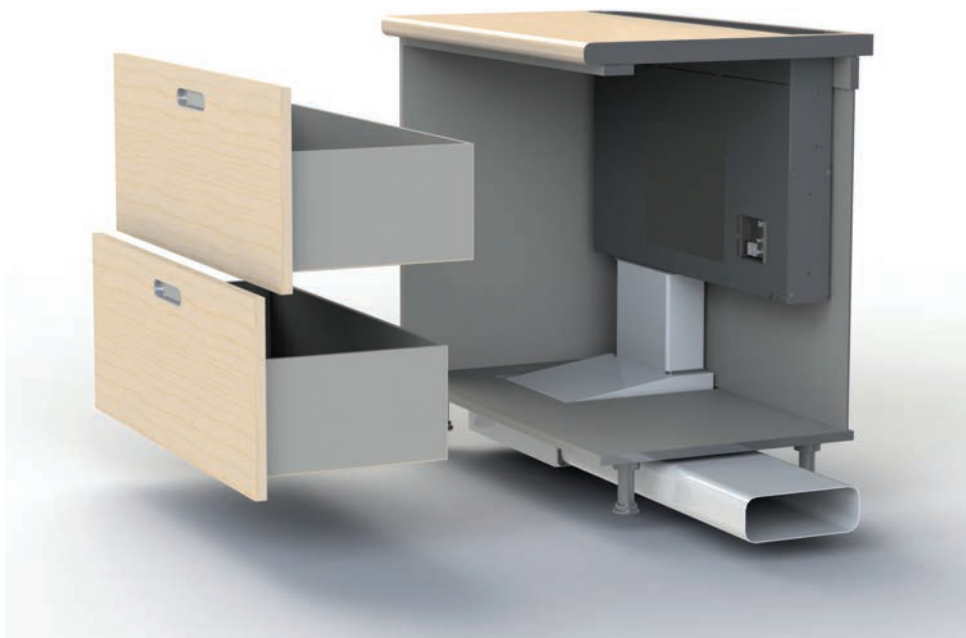
motor on board

## S DD 2 L / INOX



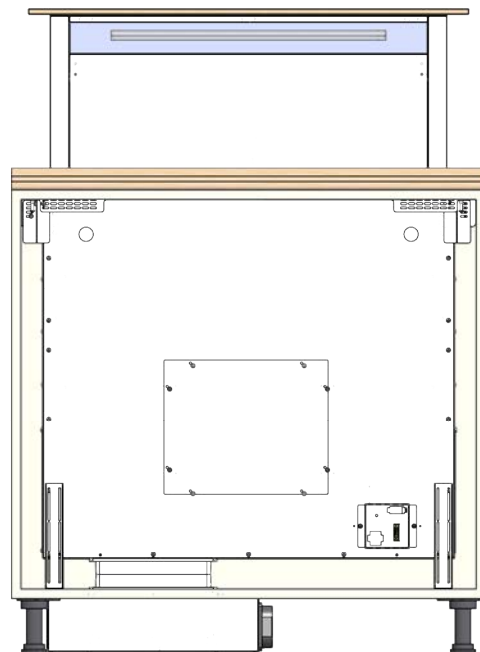
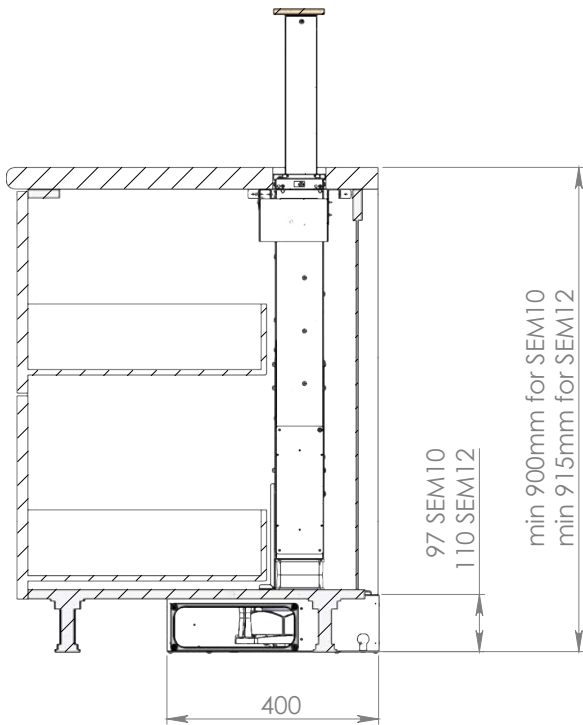
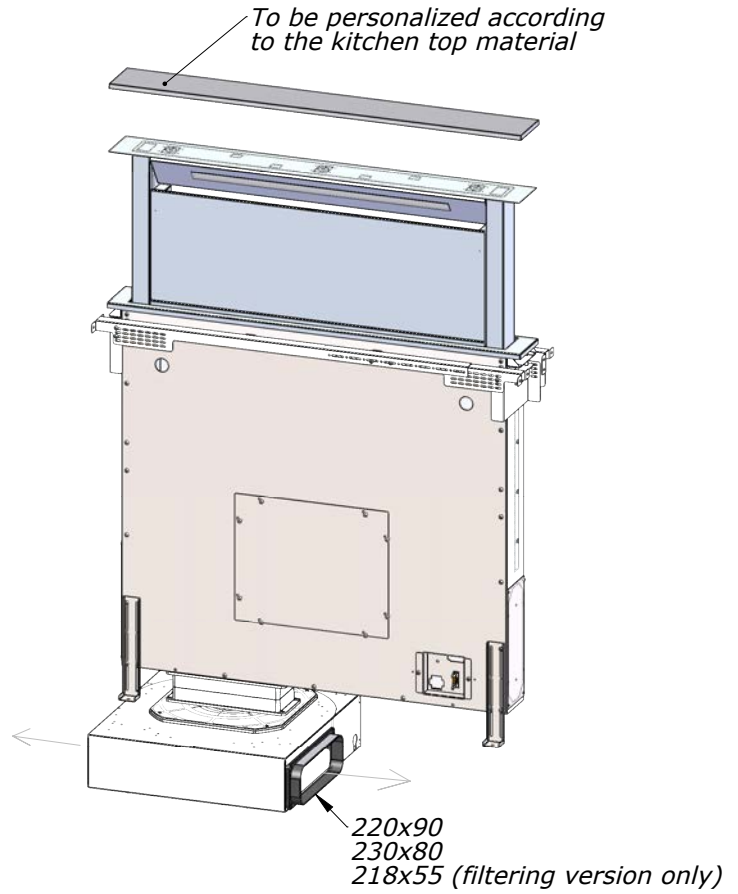
product	dim.	motor	model identifier	EEC
SDD2 - L 580 X (LED)	575	on-board	D002058PB1280116	B
SDD2 - L EM 580 X (LED)	575	SEM1	D002058PB1290116	B
SDD2 - L EM 580 X (LED)	575	SEM2	D002058PB1150116	C
SDD2 - L EM 580 X (LED)	575	SEM8	D002058PB1170116	C
SDD2 - L EM 580 X (LED)	575	SEM10	D002058PB1300116	C
SDD2-L 880 (LED) X	875	on-board	D002088PB1282415	A
SDD2-EM-L 880 (LED) X	875	SEM1	D002088PB1292415	B
SDD2-EM-L 880 (LED) X	875	SEM2	D002088PB1152415	C
SDD2-EM-L 880 (LED) X	875	SEM7 Ø150	D002088PB1162415	A+
SDD2-EM-L 880 (LED) X	875	SEM7 Ø200	D002088PB1162415	A+
SDD2-EM-L 880 (LED) X	875	SEM8	D002088PB1172415	C
SDD2-EM-L 880 (LED) X	875	SEM10	D002088PB1302415	C
SDD2-EM-L 880 (LED) X	875	SEM12	D002088PB1312415	A
SDD2-L 1200 (LED) X	1175	on-board	D002118PB1282717	A
SDD2-L EM 1200 (LED) X	1175	SEM1	D002118PB1292717	A
SDD2-L EM 1200 (LED) X	1175	SEM2	D002118PB1152717	C
SDD2-L EM 1200 (LED) X	1175	SEM8	D002118PB1172717	B
SDD2-L EM 1200 (LED) X	1175	SEM10	D002118PB1302717	C

# INSTALLATION SCHEMES

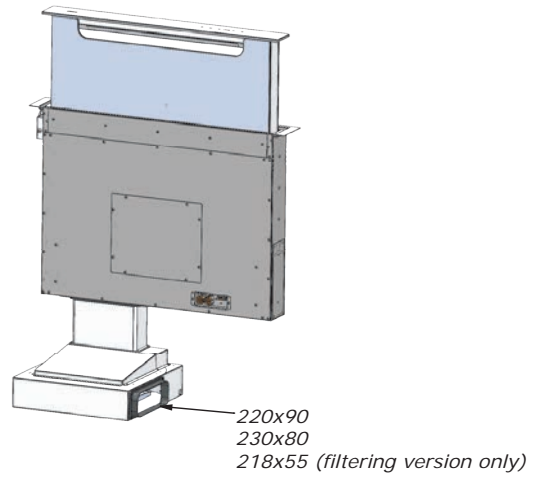
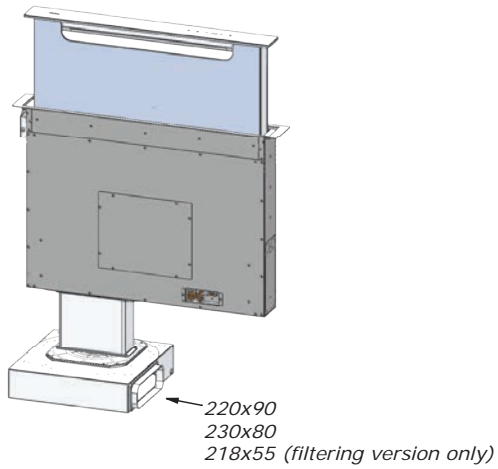
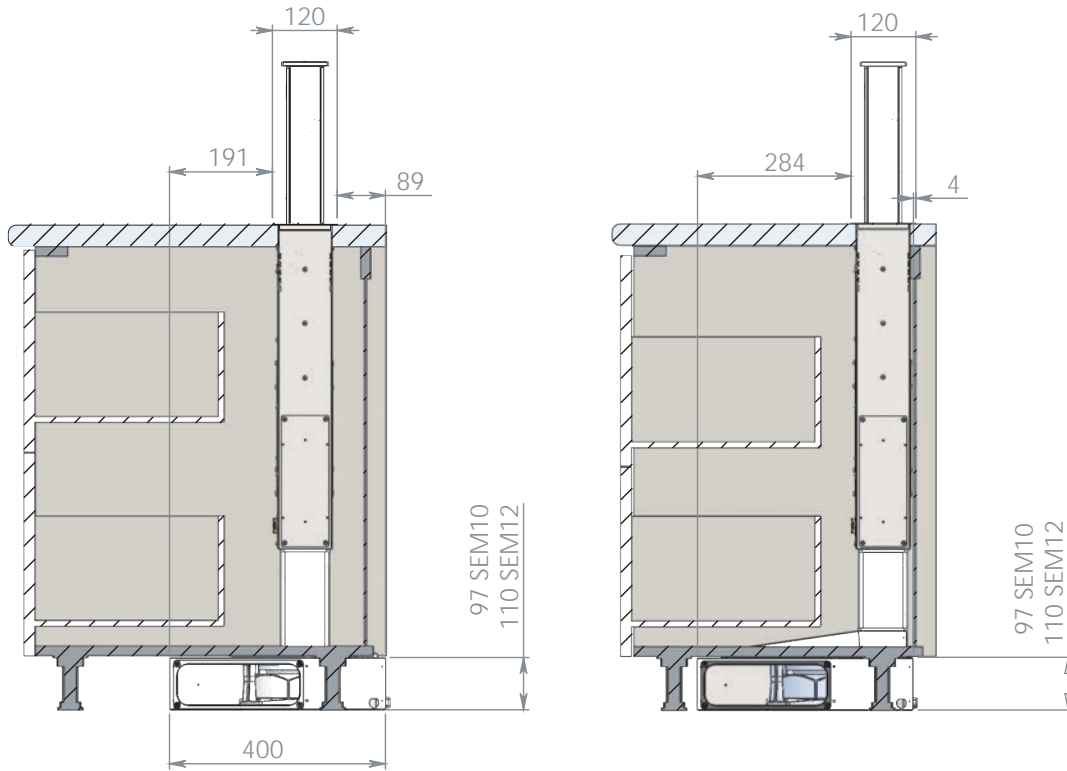




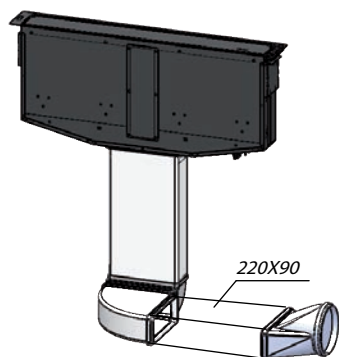
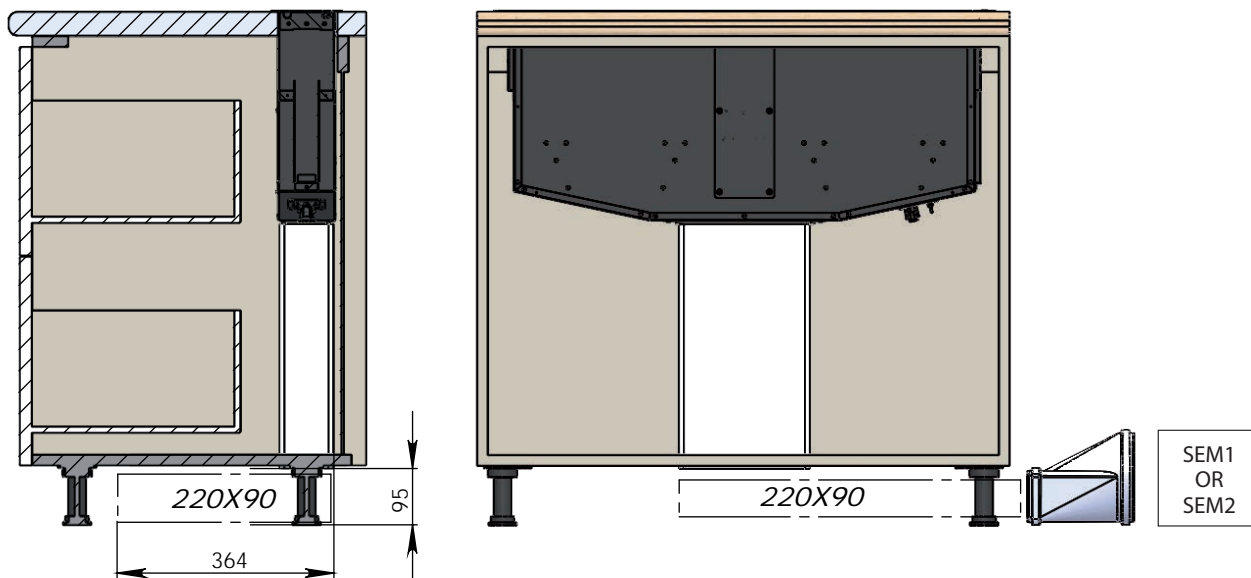
**S-DD2 L STONE WITH SEM10**  
**S-DD2 L STONE WITH SEM12**



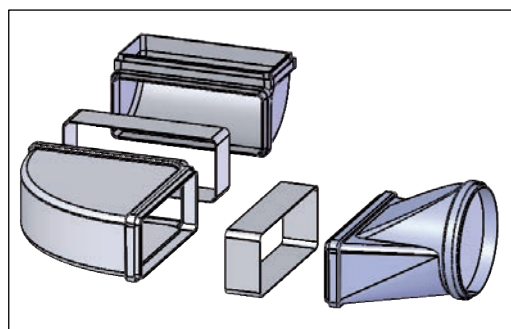
# BALANCE SDD18 WITH SEM 10 - SEM 12



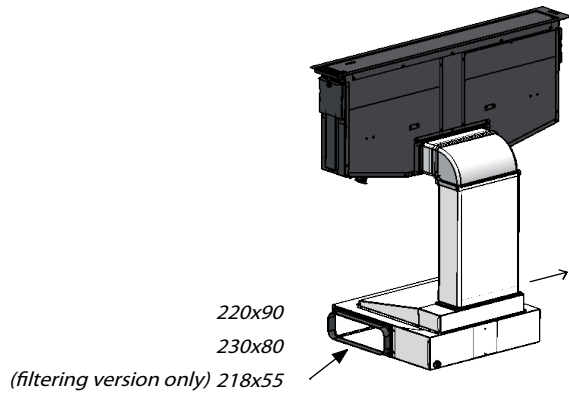
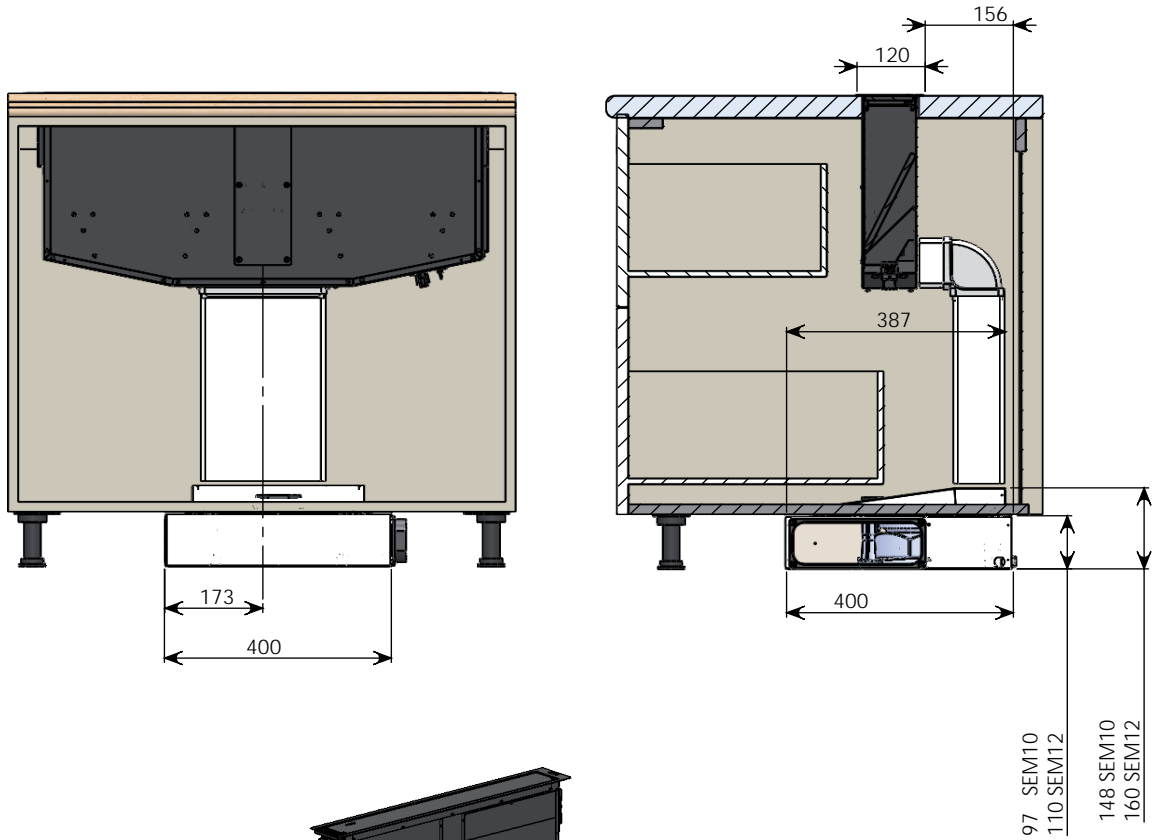
# ESSENCE SDD16 WITH SEM1 OR SEM2 (ALSO BACK OUTLET VERSION) (USING KIT INSTALLATION SDD16 WITH SEM1 OR SEM2)



KIT INSTALLATION SDD16 WITH SEM1 OR SEM2

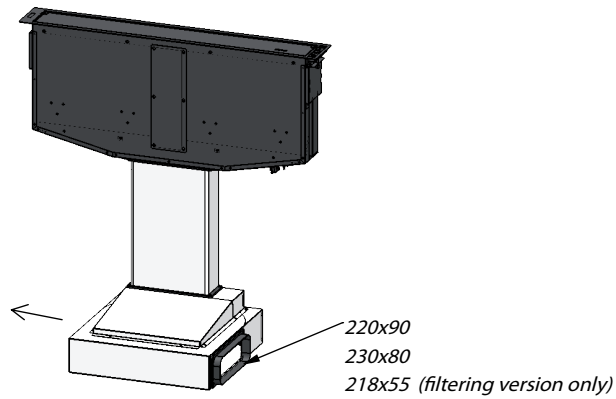
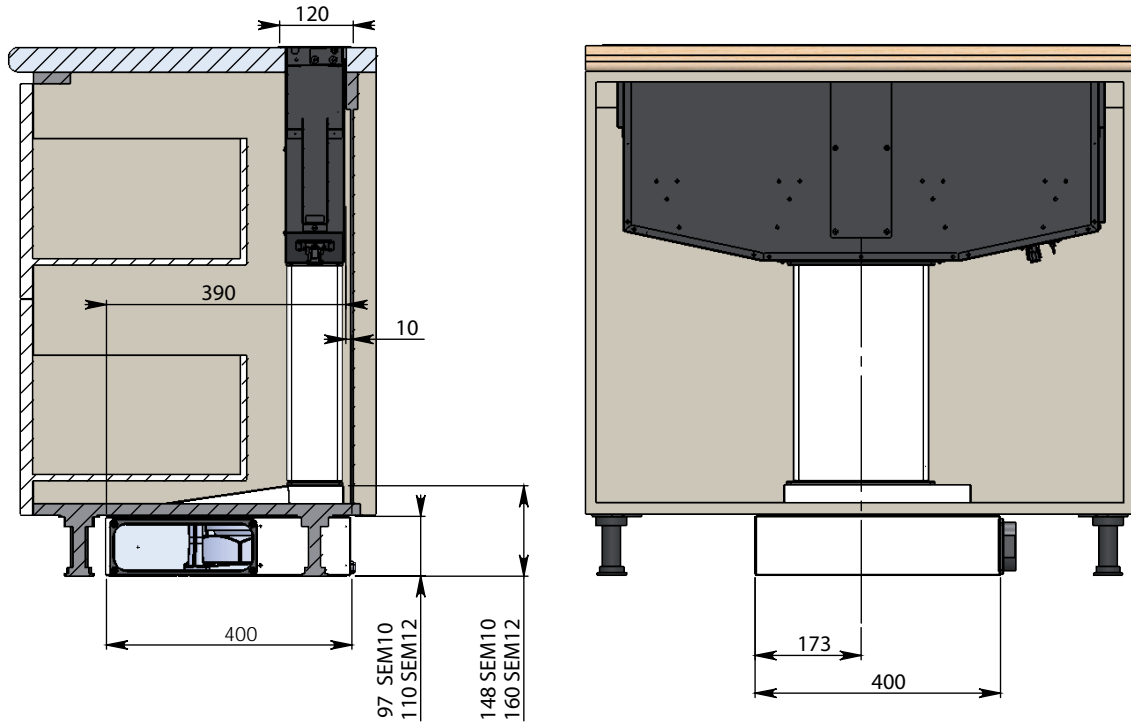


# ESSENCE SDD 16 (BACK OUTLET) WITH SEM10 - SEM12

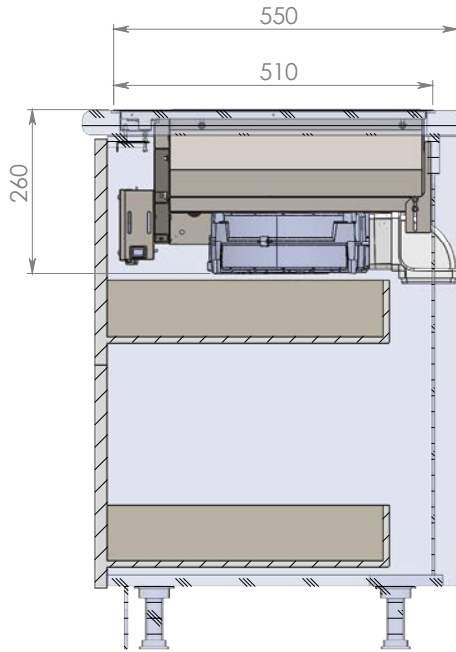




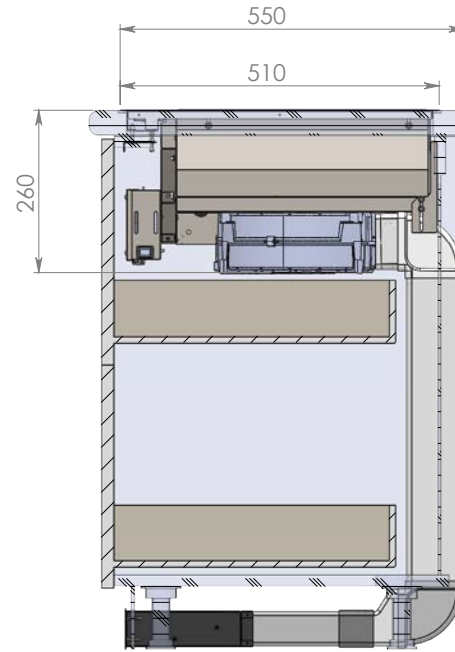
# ESSENCE SDD16 WITH SEM10 - SEM12



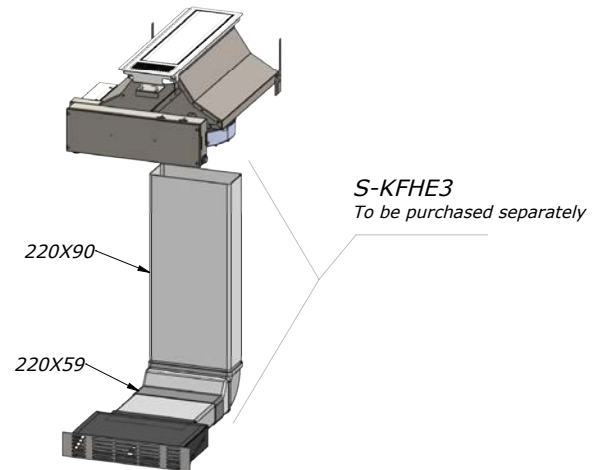
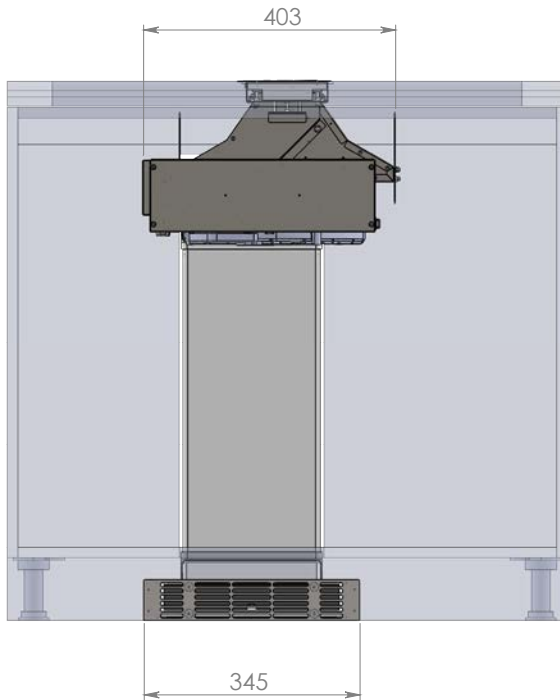
# MIDDLE SDD 20



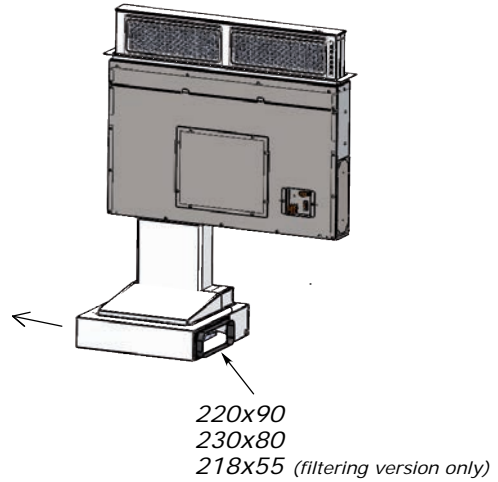
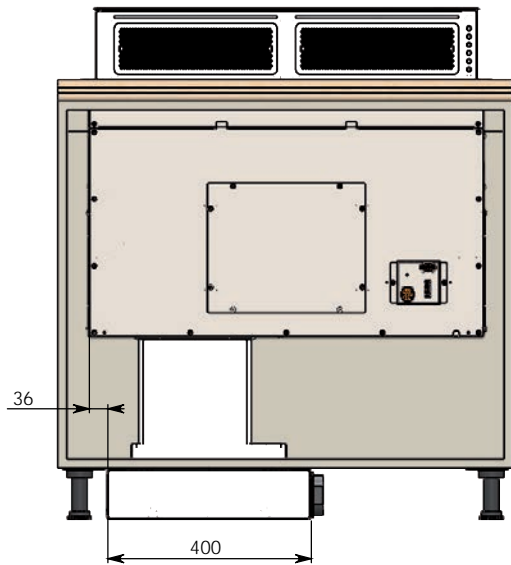
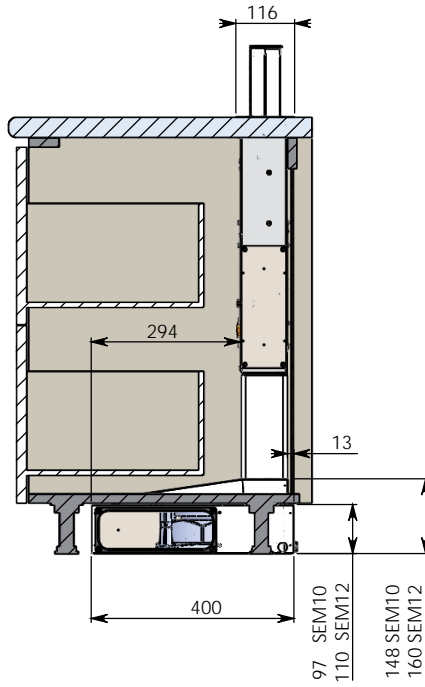
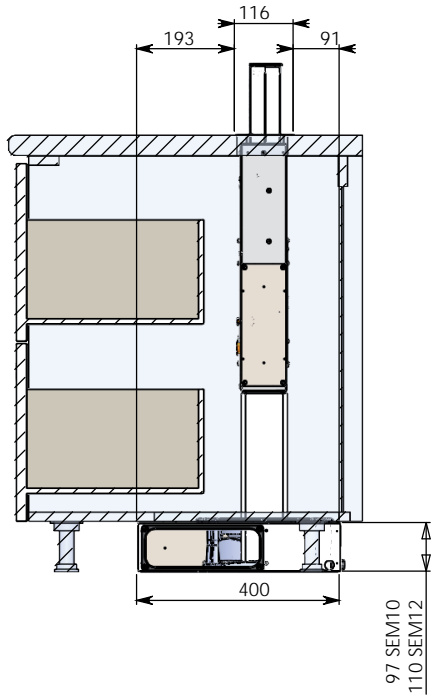
DUCTING VERSION



FILTERING VERSION

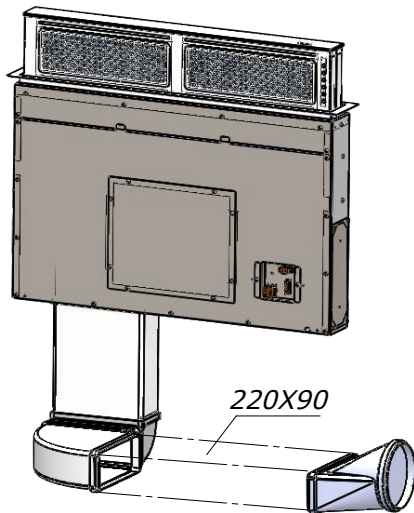
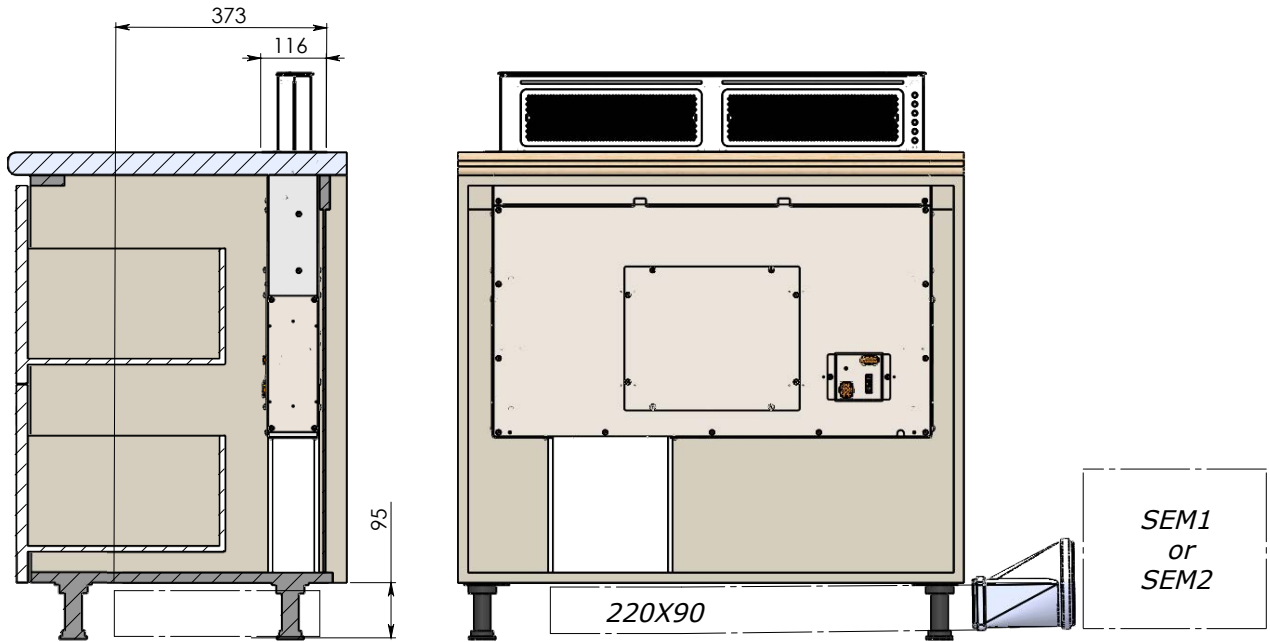


# PUSH UP SDD11 WITH SEM10 - SEM12

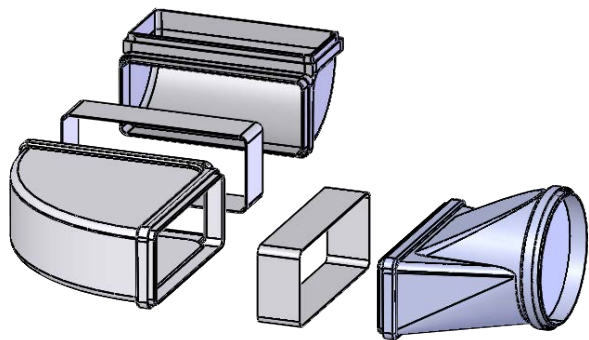


# PUSH UP SDD11 WITH SEM1 - SEM2

(USING KIT INSTALLATION SDD16 WITH SEM1 OR SEM2)

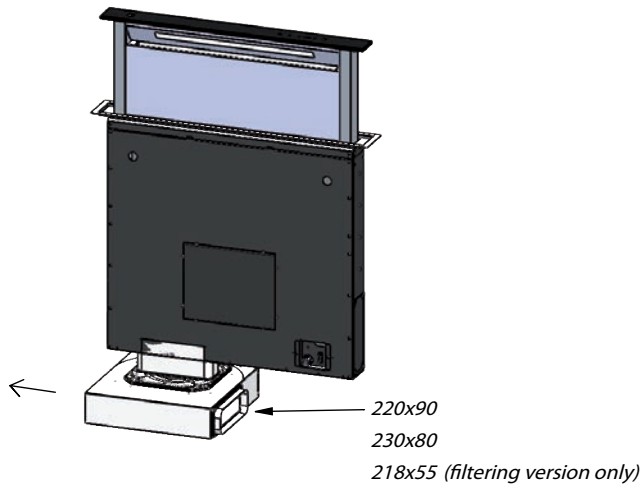
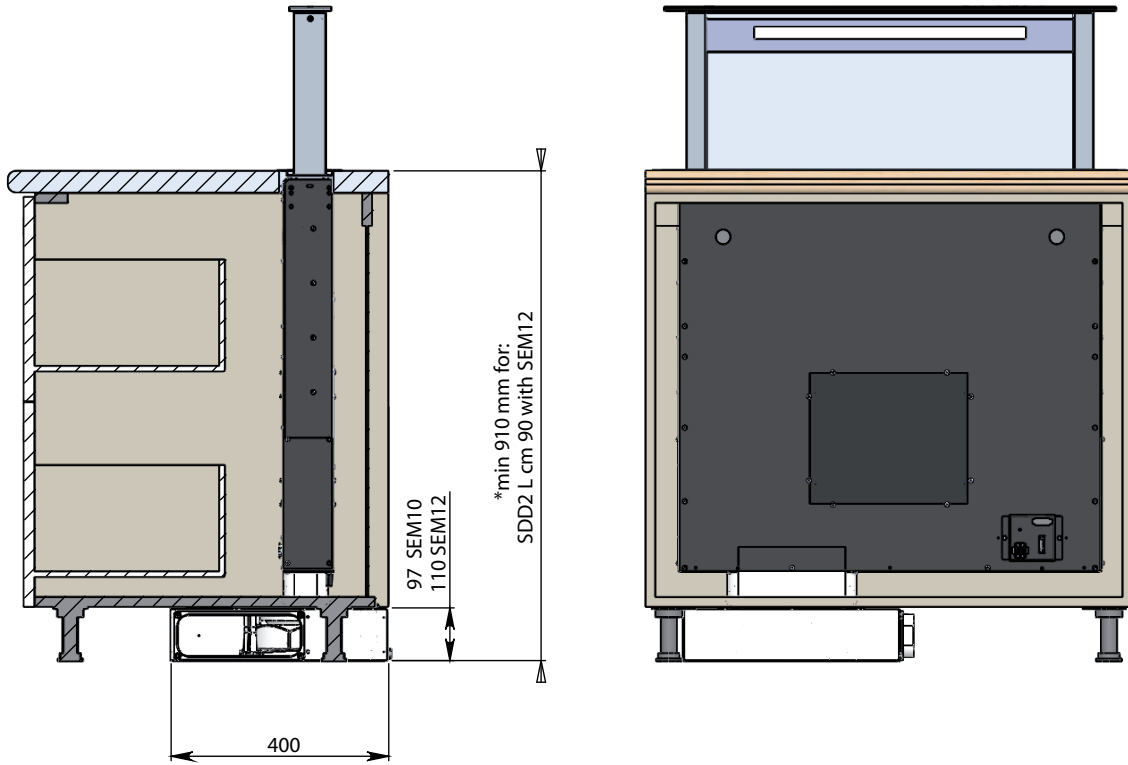


## KIT INSTALLATION SEM1 OR SEM2





S DD2 - SDD2 L F.T. AND SUNRISE SDD13 WITH SEM10  
 SDD2 L F.T. CM 90 WITH SEM12\*





# CEILING HOODS



## INSIDE OUT SLT 980



**Inside Out** is a ceiling hood equipped with advanced technologies and characterised by minimal lines and extreme attention to details. This is the perfect synthesis between aesthetics, efficiency and functionality. This range hood activates by remote control and descends from the ceiling, allowing the extraction of cooking vapours. After use, the hood goes back to hide in the ceiling.

**Motor:**

Motor on board or external motor version (to be purchased separately)

**Lighting:**

Dimmable and dynamic Led 11W (2700 to 6500K)

**Control panel:**

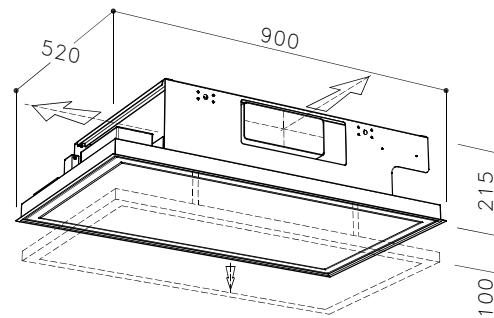
Remote control

**Filter:**

Anodized aluminum (5+1 layers)

**Finishing:**

White matt painted



**Installation:**

For the installation create a false ceiling with a niche of 890mm x 510mm whose minimum height to be reached is 220 mm

product	dim.	motor	model identifier	EEC
SLT 980 E.LA. 4V	520x900	on board	C980093RC1245181	B
SLT 980 E.LA. BRHM	520x900	on board	C980090RC1375181	A+
SLT 980 E.LA. EM	520x900	SEM1	C980093RC1295181	A
SLT 980 E.LA. EM	520x900	SEM2	C980093RC1155181	C



# SUPERNOVA SLT 976

**Motor:**

Motor on board or external motor version (to be purchased separately)

**Lighting:**

2x1,4W Dimmable and dynamic spot leds (2700 to 6500°K)

**Control panel:**

Remote control

App

Voice assistant

**Filter:**

Anodized aluminum (5+1 layers)

**Material:**

Painted Stainless Steel

Handmade ceramic domes

**Finishing:**

Ceiling plate matt white painted

Ceramic domes white or black matt

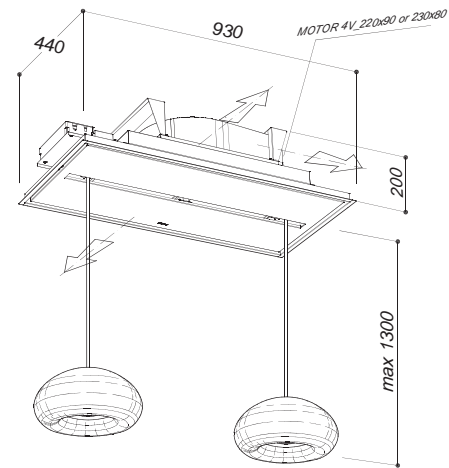
**Installation:**

For the installation create a false ceiling with a niche of 425mm x 915mm whose minimum height to be reached is 200 mm

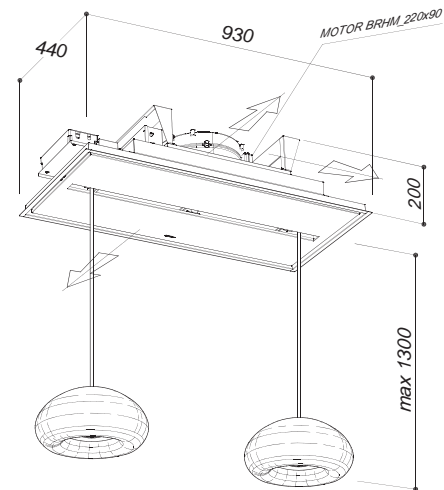
It is possible to add a Supernova Lamp (max 3 units)

See page 70

product	dim.	motor	model identifier	EEC
SLT 976 E.LA. 4V APP	440x930	on board	C976093RA1244681	B
SLT 976 E.LA. BRHM APP	440x930	on board	C976093RA1374681	A++
SLT 976 E.LA. EM APP	440x930	SEM1	C976093RA1294681	A
SLT 976 E.LA. EM APP	440x930	SEM2	C976093RA1154681	B



motor on board/external motor



brushless motor



Google HOME



amazon alexa

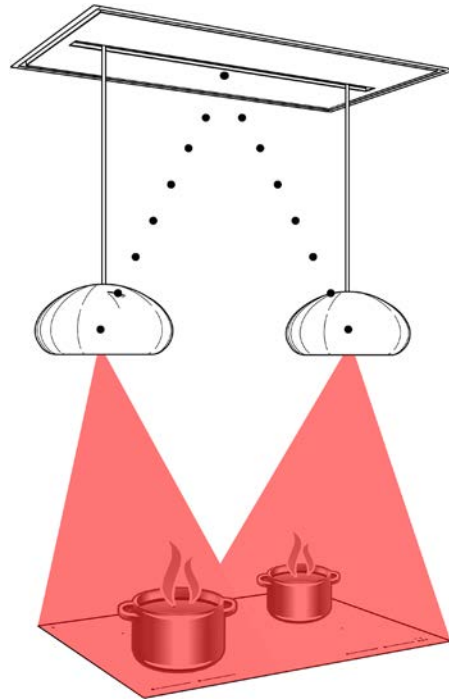








## SUPERNOVA AUTOMATIC



### ARTIFICIAL INTELLIGENCE SYSTEM - AIS

This innovative system, patented by Sirius, is made up of sensors and technologically advanced electronic devices working in synergy.

As you start cooking, the range hood autonomously activates and adjusts the suction power, by detecting constantly both the temperature and air quality while cooking.

This innovative technology allows an autonomous and automatic operation of products and is completely independent from the kind of hob you use (gas, induction, etc.).







## SUPERNOVA LAMP

Entirely hand-made by Deruta ceramic masters, Supernova Lamp is the new Sirius hanging lamp that can perfectly match Supernova range hood.

A new generation led spot properly lightens the worktop below.

### Lighting

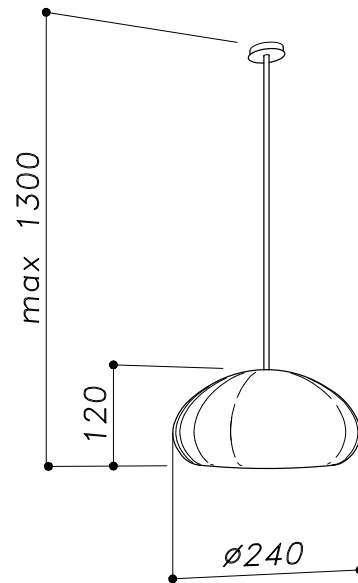
1x1,4W Dimmable and dynamic Led spot (2700K to 6500K)

### Material

Handmade ceramic

### Finishing

Ceramic Dome: matt black or matt white painted







**Motor:**

Motor on board or external motor version  
(to be purchased separately)

**Lighting:**

Dimmable and dynamic full Led 11 W (2700 to 6500K)

**Control panel:**

Remote control  
App  
Voice assistant

**Filter:**

Anodized aluminum (5+1 layers)

**Material:**

Stainless Steel

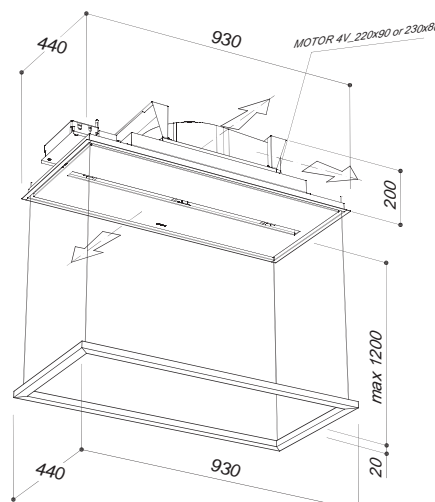
**Finishing:**

Ceiling plate matt white painted

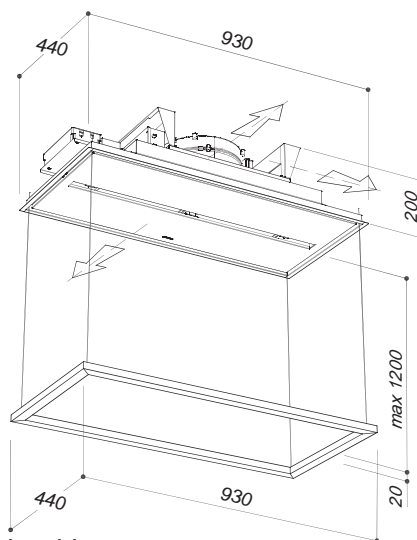
**Installation:**

For the installation create a false ceiling with a niche of 425mm x 915mm whose minimum height to be reached is 200 mm

product	dim.	motor	model identifier	EEC
SLT 978 LIGHT 4V APP	440x930	on board	C978093RA1245281	B
SLT 978 LIGHT BRHM APP	440x930	on board	C978093RA1375281	A++
SLT 978 LIGHT EM APP	440x930	SEM1	C978093RA1295281	A
SLT 978 LIGHT EM APP	440x930	SEM2	C978093RA1155281	C



motor on board/external motor



brushless motor





## KITE LIGHT SLT 978 L







# KITE SLT 978

**Motor:**

Motor on board or external motor version  
(to be purchased separately)

**Lighting:**

Dimmable and dynamic Led 11 W (2700 to 6500K)

**Control panel:**

Remote control

App

Voice assistant

**Filter:**

Anodized aluminum (5+1 layers)

**Material:**

Stainless Steel

**Finishing:**

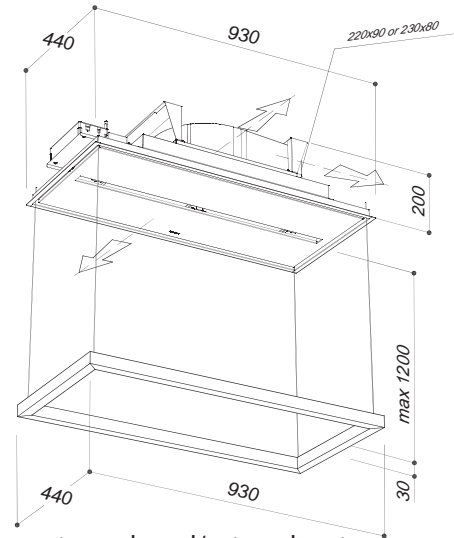
Ceiling plate matt white painted

Led frame matt black or matt white

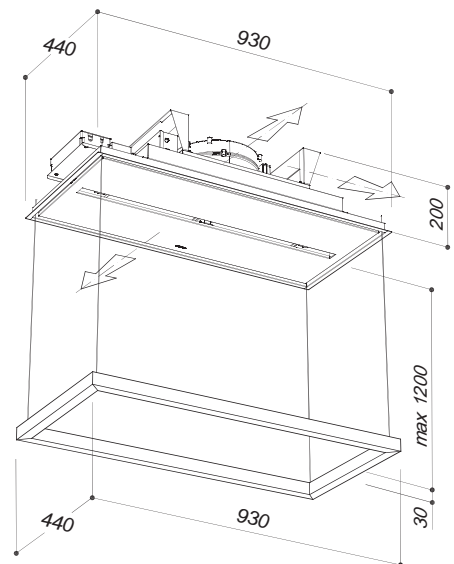
**Installation:**

For the installation create a false ceiling with a niche of 425mm x 915mm whose minimum height to be reached is 200 mm

product	dim.	motor	model identifier	EEC
SLT 978 4V APP	440x930	on board	C978093RA1245281	B
SLT 978 BRHM APP	440x930	on board	C978093RA1375281	A+
SLT 978 EM APP	440x930	SEM1	C978093RA1295281	A
SLT 978 EM APP	440x930	SEM2	C978093RA1155281	C



motor on board/external motor



brushless motor











**Motor:**

Motor on board or external motor version  
(to be purchased separately)

**Lighting:**

Dimmable and dynamic full Led 5 W (2700 to 6500K)

**Control panel:**

Remote control  
App  
Voice assistant

**Filter:**

Anodized aluminum (5+1 layers)

**Material:**

Stainless Steel

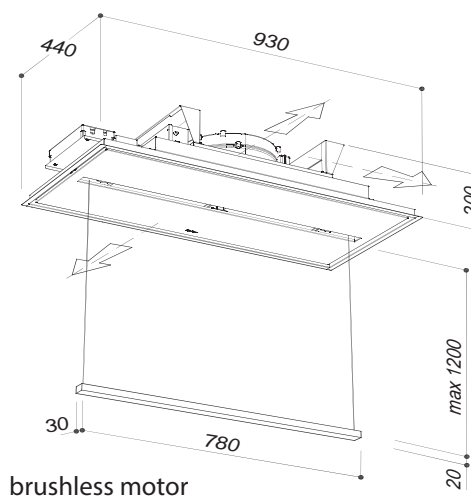
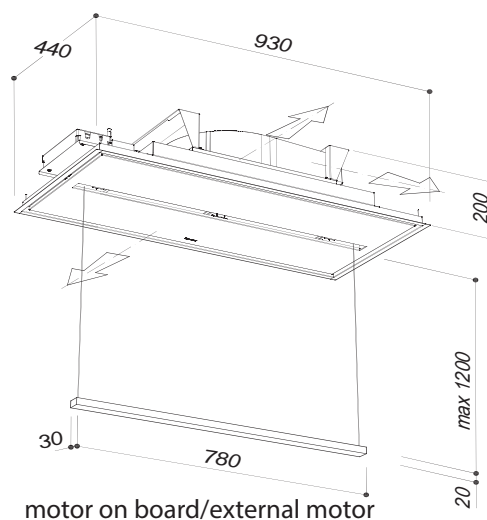
**Finishing:**

Ceiling plate matt white painted

**Installation:**

For the installation create a false ceiling with a niche of 425mm x 915mm whose minimum height to be reached is 200 mm

product	dim.	motor	model identifier	EEC
SLT 977 4V APP	440x930	on board	C977093RA1245481	B
SLT 977 BRHM APP	440x930	on board	C977093RA1375481	A++
SLT 977 EM APP	440x930	SEM1	C977093RA1295481	A
SLT 977 EM APP	440x930	SEM2	C977093RA1155481	B



**LINE** SLT 977









## HALO LIGHT SLT 973 L



**Motor:**

Motor on board or external motor version (to be purchased separately)

**Lighting:**

Dimmable and dynamic round full Led 10W (2700 to 6500K)

**Control panel:**

Remote control

App

Voice assistant

**Filter:**

Anodized aluminum (5+1 layers)

**Material:**

Stainless Steel

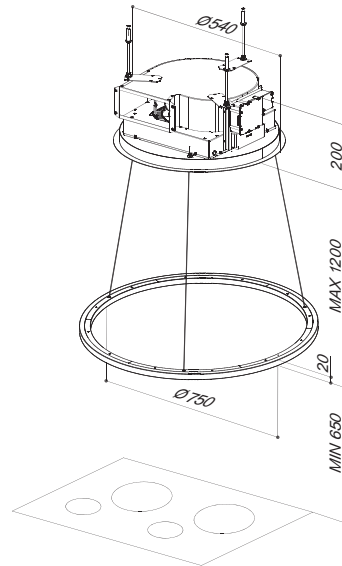
**Finishing:**

Ceiling plate in stainless Steel matt white painted

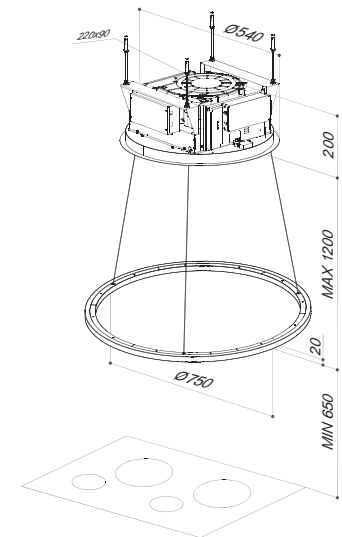
**Installation:**

For the installation create a false ceiling with a round niche of 510mm whose minimum height to be reached is 220 mm

product	motor	model identifier	EEC
SLT 973 4V LIGHT APP	on board	C973075RA1245333	B
SLT 973 BRHM LIGHT APP	on board	C973075RA1375333	A+
SLT 973 EM LIGHT APP	SEM1	C973075RA1295333	A
SLT 973 EM LIGHT APP	SEM2	C973075RA1155333	C

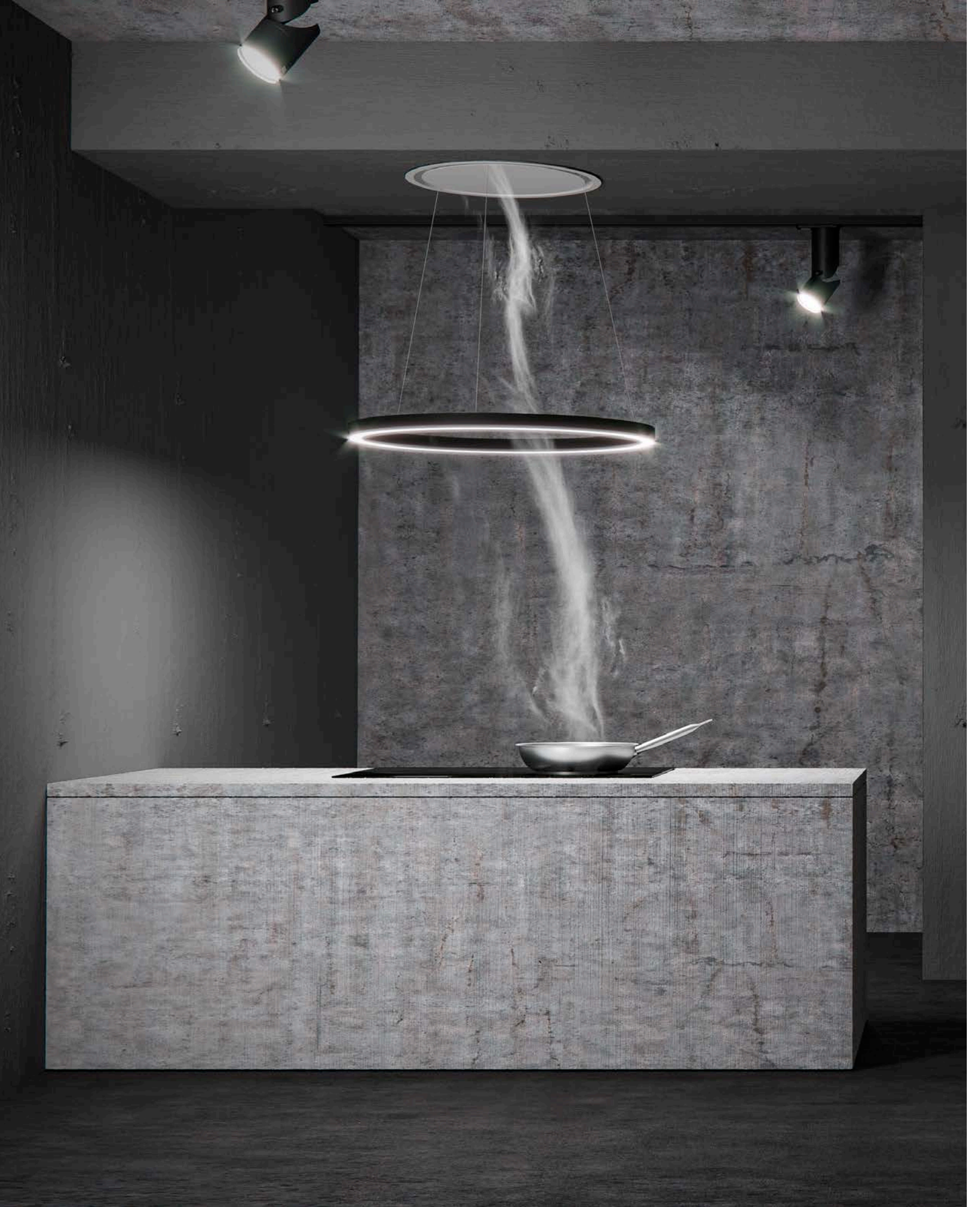


motor on board/external motor



brushless motor





# HALO SLT 973

### Motor:

motor on board or external motor version (to be purchased separately)

### Lighting:

Dimmable and dynamic round Led 10W (2700 to 6500K)

### Control panel:

Remote control

App

Voice assistant

### Filter:

Anodized aluminum (5+1 layers)

### Material:

Stainless Steel

### Finishing:

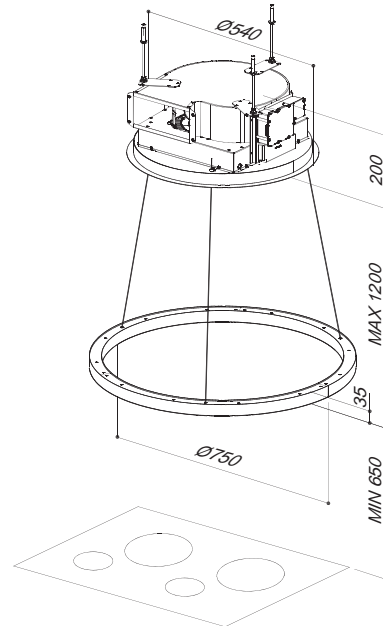
Ceiling plate in stainless Steel matt white painted

Led frame matt black or white

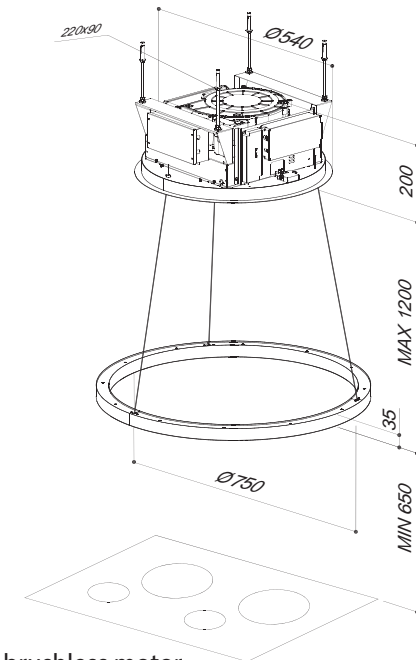
### Installation:

For the installation create a false ceiling with a round niche of 510mm whose minimum height to be reached is 220 mm

product	motor	model identifier	EEC
SLT 973 4V APP	on board	C973075RA1245333	B
SLT 973 BRHM APP	on board	C973075RA1375333	A+
SLT 973 EM APP	SEM1	C973075RA1295333	A
SLT 973 EM APP	SEM2	C973075RA1155333	C



motor on board/external motor



brushless motor





# ORIGAMI SLT 972

**Motor:**

motor on board or external motor version (to be purchased separately)

**Lighting:**

Dimmable and dynamic Led panel 7W (2700 to 6500°K)

**Control panel:**

Remote control  
App  
Voice assistant

**Filter:**

Anodized aluminum (5+1 layers)

**Material:**

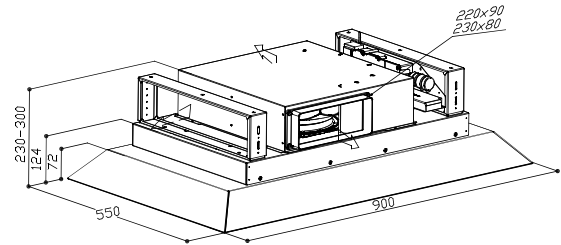
Stainless steel

**Finishing:**

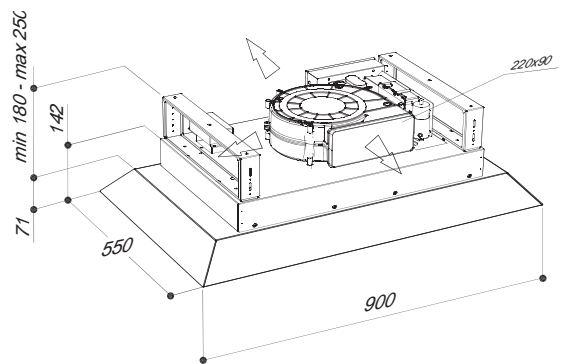
White painted

**Installation:**

For the installation create a false ceiling with a niche of 750mm for 410mm whose minimum height to be reached is 200mm



motor on board/external motor



brushless motor

product	dim.	motor	model identifier	EEC
SLT 972 4V APP	550x900	on board	C972090RA1243773	B
SLT 972 BRHM APP	550x900	on board	C972090RA1373773	A++
SLT 972 EM APP	550x900	SEM1	C972090RA1293773	A
SLT 972 EM APP	550x900	SEM2	C972090RA1153773	B







# SCREEN SLT 974

**Motor:**

motor on board or external motor version (to be purchased separately)

**Lighting:**

Dimmable and dynamic Led panel 7W (2700 to 6500°K)

**Control panel:**

Remote control

App

Voice assistant

**Filter:**

Anodized aluminum (5+1 layers)

**Material:**

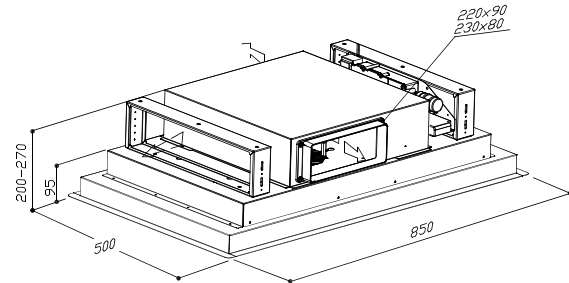
Stainless steel

**Finishing:**

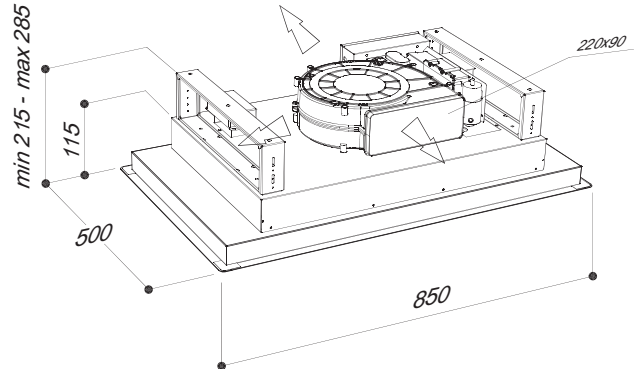
White painted

**Installation:**

For the installation create a false ceiling with a niche of 815mm for 465mm whose minimum height to be reached is 220mm



motor on board/external motor



brushless motor

product	dim.	motor	model identifier	EEC
SLT 974 4V APP	500x850	on board	C974085RC1243773	B
SLT 974 BRHM APP	500x850	on board	C974085RA1373773	A++
SLT 974 EM APP	500x850	SEM1	C974085RA1293773	A
SLT 974 EM APP	500x850	SEM2	C974085RC1153773	B





**Motor:**

motor on board or external motor version (to be purchased separately)

**Lighting:**

3x2,5W Dimmer Led spotlight

**Control panel:**

Remote control

**Filter:**

Anodized aluminum (5+1 layers)

**Material:**

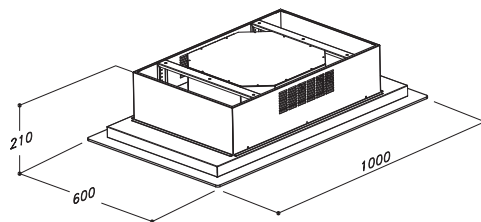
White glass

**Finishing:**

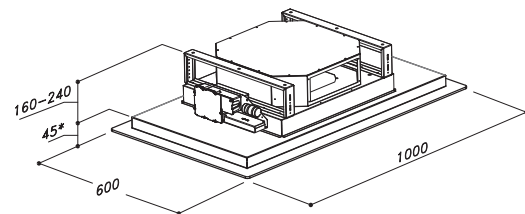
White glass with crystal transparent edge

**Installation:**

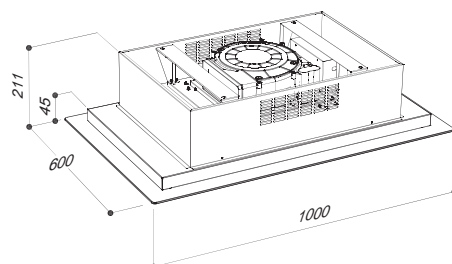
For the installation create a false ceiling with a niche of 850mm x 470mm whose minimum height to be reached is 200 mm (Built-in version)



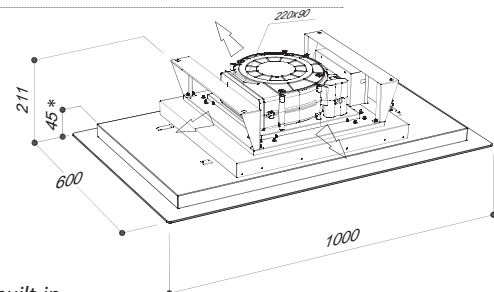
*freestanding (filtering version only)*  
motor on board/external motor



*built-in*  
*\* this part must not be built-in*  
motor on board/external motor



*freestanding (filtering version only)*  
brushless motor



*built-in*  
*\* this part must not be built-in*  
brushless motor

## FRAME SLT 970



product	dim.	motor	model identifier	EEC
SLT 970	600x1000	on board	C970100RC1243637	B
SLT 970 BRH M	600x1000	on board	C970100RC1373637	A++
SLT 970 EM	600x1000	SEM1	C970100RC1293643	B
SLT 970 EM	600x1000	SEM 2	C970100RC1153643	C

**Motor:**

motor on board or external motor version (to be purchased separately)

**Lighting:**

6W Dimmable and dynamic Led bar (2700 to 6500°K) (90cm version)

2X3,75W Dimmable and dynamic Led bar (2700 to 6500°K) (120cm version)

**Control panel:**

Remote control

**Filter:**

Anodized aluminum (5+1 layers)

**Material:**

Stainless steel AISI430 (SLT971 inox version)

White painted stainless steel and glass (SLT971 glass version)

**Finishing:**

Stainless steel (SLT971 inox version)

White painted stainless steel and white glass panel (SLT971 glass version)

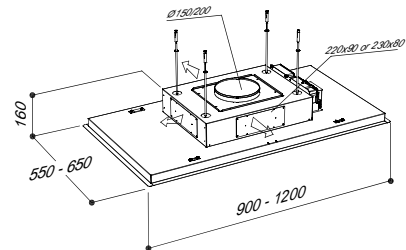
**Installation:**

For the installation create a false ceiling with a niche of:

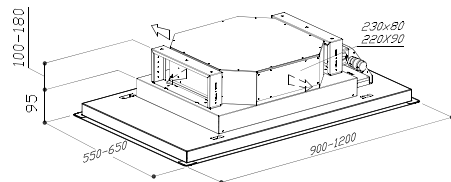
865mmx 515mm whose minimum height to be reached is 210mm (SLT971 cm90 motor on board version) or 170mm (SLT971 cm90 external motor version)

1165mm x 615mm whose minimum height to be reached is 210mm (SLT971 cm120 motor on board version) or 170mm (SLT971 cm120 external motor version)

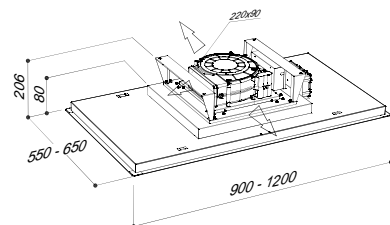
product	dim.	motor	model identifier	EEC
SLT 971	550x900	on board	C971090RC1244143	B
SLT 971 BRHM	550x900	on board	C971090RC1374143	A++
SLT 971 EM	550x900	SEM1	C971090RC1294143	B
SLT 971 EM	550x900	SEM 2	C971090RC1154143	C
SLT 971	650x1200	on board	C971120RC1244037	B
SLT 971 BRHM	650x1200	on board	C971120RC1374037	A++
SLT 971 EM	650x1200	SEM1	C971120RC1294037	B
SLT 971 EM	650x1200	SEM 2	C971120RC1154037	C



external motor



motor on board



brushless motor

**LESS** SLT 971





**Motor:**

motor on board or external motor version (to be purchased separately)

**Lighting:**

2X3,75W Dimmable and dynamic Led bar (2700 to 6500°K) (90cm version)

2X6W Dimmable and dynamic Led bar (2700 to 6500°K) (120cm version)

**Control panel:**

Remote control

**Filter:**

Anodized aluminum (5+1 layers)

Material:

Stainless steel AISI430

**Finishing:**

Stainless steel

White matt painted

Black matt painted

**Installation:**

865mmx465mm whose minimum height to be reached is

210mm (SLT975 cm90 motor on board version)

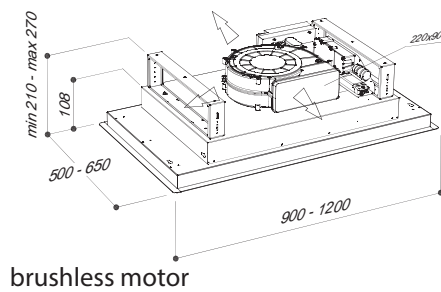
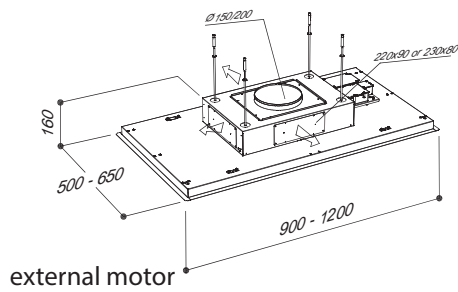
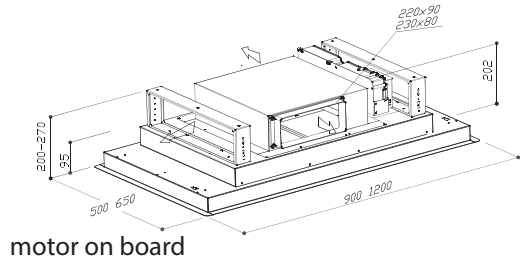
or 170mm (SLT975 cm90 external motor version)

1165mmx615mm whose minimum height to be reached is

210mm (SLT975 cm120 motor on board version)

or 170mm (SLT975 cm120 external motor version)

product	dim.	motor	model identifier
SLT 975 E.LA. 4V	500x900	on board	C975090RC1243573
SLT 975 E.LA. BRHM	500x900	on board	C975090RC1373573
SLT 975 E.LA. EM	500x900	SEM 1	C975090RC1294073
SLT 975 E.LA. EM	500x900	SEM 2	C975090RC1254073
SLT 975 E.LA. 4V	650x1200	on board	C975120RC1244173
SLT 975 E.LA. BRHM	650x1200	on board	C975120RC1374173
SLT 975 E.LA. EM	650x1200	SEM 1	C975120RC1294173
SLT 975 E.LA. EM	650x1200	SEM 2	C975120RC1254173



EEC  
B  
A++  
B  
B  
B  
A++  
B  
B

**ATMOS** SLT 975



**Motor:**

motor on board or external motor version (to be purchased separately)

**Lighting:**

2x5,5W Dimmable and dynamic Led panels (2700 to 6500°K)

**Control panel:**

Remote control  
App Sirius  
Voice assistant

**Filter:**

Anodized aluminum (5+1 layers)

**Material:**

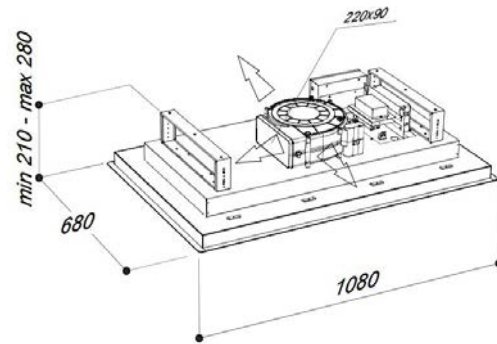
Painted stainless Steel

**Finishing:**

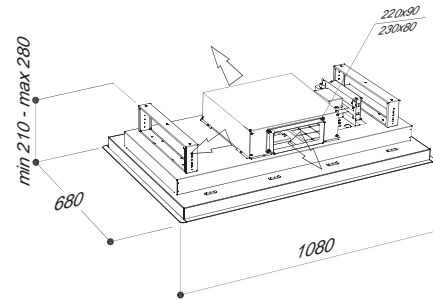
White

**Installation:**

For the installation create a false ceiling with a niche of 1050mm for 645mm whose minimum height to be reached is 210mm



brushless motor



motor on board/external motor

product	dim.	motor	model identifier	EEC
SLT 979 E.LA. 4V APP	680x1080	on board	C979108RA1244860	B
SLT 979 E.LA. BRHM APP	680x1080	on board	C979108RA1374860	A+
SLT 979 E.LA. EM APP	680x1080	SEM 1	C979108RA1294860	A
SLT 979 E.LA. EM APP	680x1080	SEM 2	C979108RA1154860	B



## ZENDRA SLT979





**Motor:**

motor on board or external motor version (to be purchased separately)

**Lighting:**

2X3,75W Dimmable and dynamic Led bar (2700 to 6500°K)

**Control Panel:**

Remote Control

**Filter:**

Anodized aluminum (5+1 layers)

**Material:**

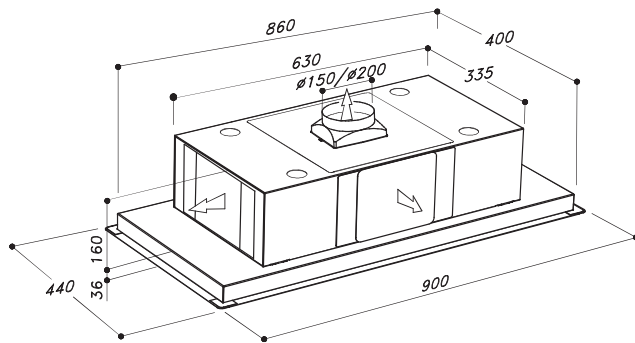
Stainless Steel AISI430

**Finishing:**

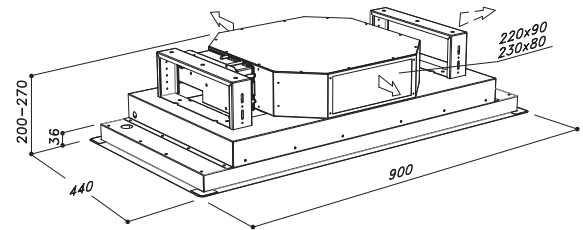
stainless steel  
white painted and white glass

**Installation:**

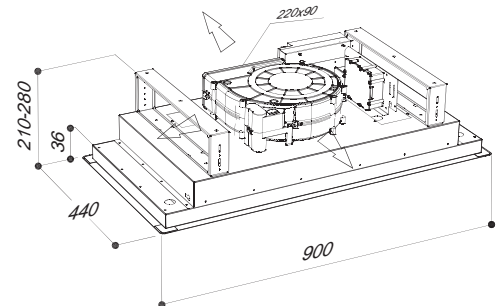
Create a false ceiling with a niche of 865mm x 405mm whose minimum height to be reached is 210mm.



external motor



h200 version



brushless motor

product	dim.	motor	model identifier	EEC
SLT 958 H200	440x900	on board	C958090RC1244073	B
SLT 958 H200 BRHM	440x900	on board	C958090RC1374073	A++
SLT 958 EM	440x900	SEM 1	C958090RC1294037	B
SLT 958 EM	440x900	SEM 2	C958090RC1154037	B

SLT 958





# DECORATIVE ISLAND





## NEMESI SIL 36 TC





**Motor**

on board

**Lighting:**

2x6W Dimmable and dynamic Led bar (2700 to 6500°K)

**Control panel:**

Touch control 4 speeds + light switch + timer + Anti-drop System

**Filter:**

Anodized aluminum (5+1 layers)

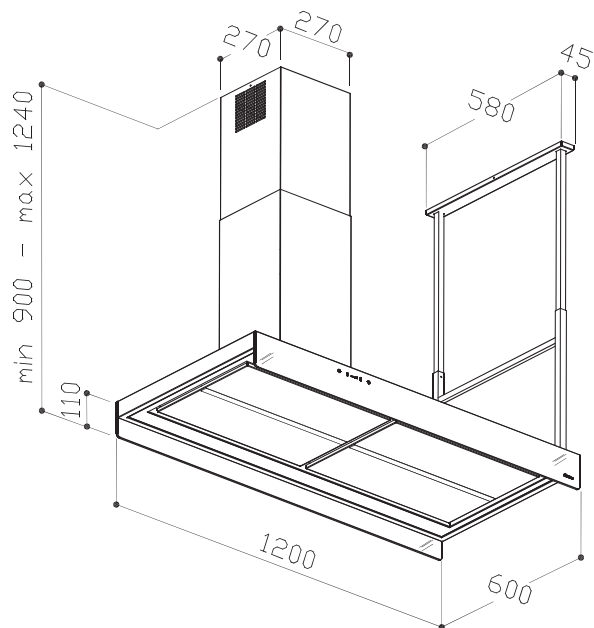
**Finishing:**

Black matte painted

Smoked glass



**ANTI-DROP SYSTEM**



product  
SILTC36

dim.  
1200

motor  
on board

model identifier  
I036120TA1284143

EEC  
A

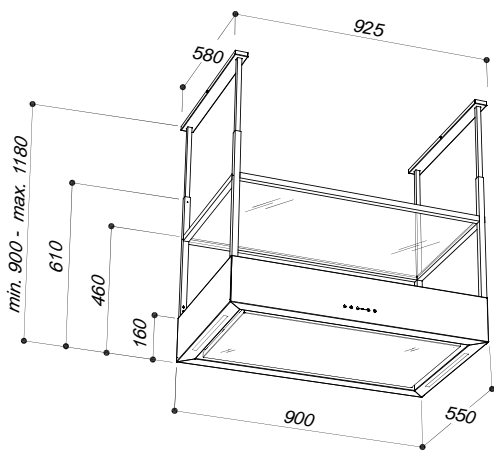




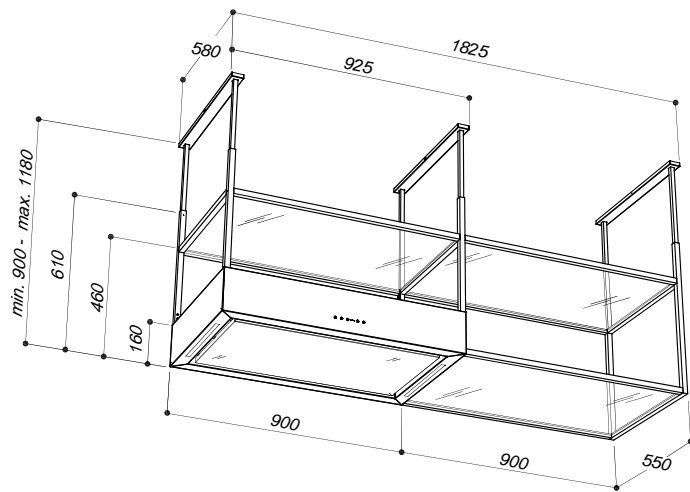


## **SYMPHONY MO 409**





Symphony



Symphony with accessory

**Motor on board:**

EBM 550m3/h

110W

50 dBA

**Lighting:**

2x3,75W Dimmable and dynamic Led bar (2700 to 6500°K)

**Control panel:**

Touch control 4 speeds +light switch +timer+Anti-drop System

**Filter:**

Anodized aluminum (4+1 layers)

High performance carbon filter HP60 (black)

**Finishing:**

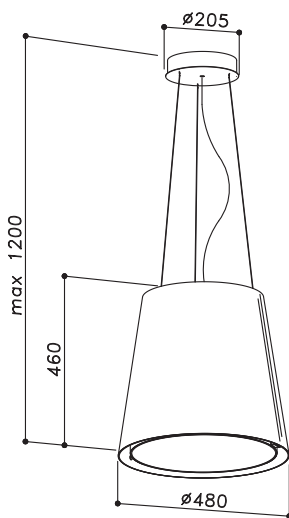
Matt black painted

Smoked glass



**ANTI-DROP SYSTEM**

## ROLL SILT 28



### **Motor on board:**

600m<sup>3</sup>/h

230W

63dBA

### **Lighting:**

Rounded NEON 40W

### **Control panel:**

Remote control

### **Grease filter:**

Anodized aluminum (4+1 layers)

Washable carbon filter KF39

### **Material:**

Painted stainless steel

### **Finishing:**

Gold, Copper, Black, White

Only filtering version

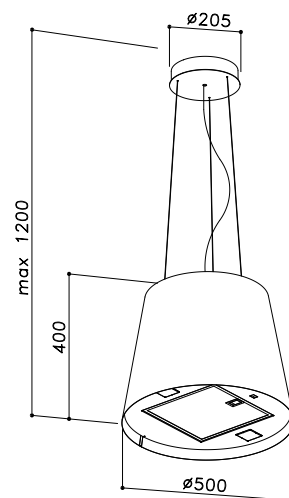
### **Only filtering version**

Available in lamp version

### **Lighting:**

round neon 40W

## SILT 30



### **Motor on board:**

600m<sup>3</sup>/h

168W

62dBA

### **Lighting:**

2x2,1W Led spotlight

### **Control panel:**

Remote control

### **Grease filter:**

Anodized aluminum (4+1 layers)

Washable carbon filter KF39

### **Material:**

Painted stainless steel

### **Finishing:**

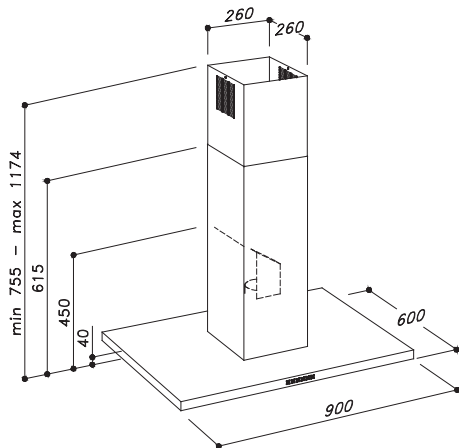
White matt

Black matt

### **Only filtering version**



## SIL 24 TC



product dim. motor model identifier EEC  
SIL 24 TC 900 on-board I024090TC1284437 A

### **Motor on board**

### **Lighting:**

2x3,75W Dimmable and dynamic Led bar (2700 to 6500°K)

### **Control panel:**

Touch Control 4 speeds + light switch + timer

### **Grease filter:**

Baffle filter AISI430

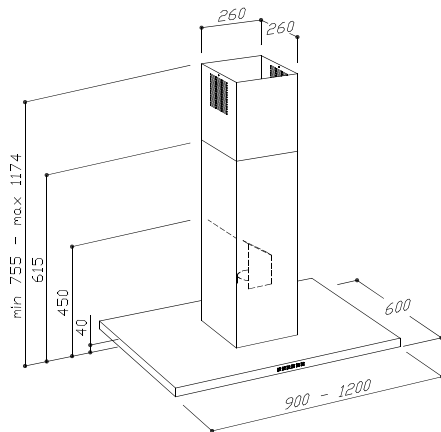
### **Material:**

Stainless steel AISI430 and glass

### **Finishing:**

Black glass

## SIL 24



### **Motor on board**

### **Lighting:**

2x3,75W Dimmable and dynamic Led bar (2700 to 6500°K)

### **Control panel:**

Chromed 4 speeds push-button+light switch+timer

### **Grease filter:**

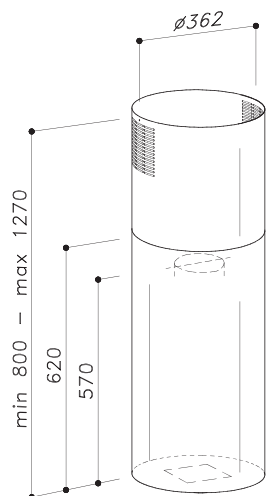
Baffle filter AISI430

### **Material:**

Stainless steel AISI430

product	dim.	motor	model identifier	EEC
SIL 24X	900	on-board	I024090PB1284437	A
SIL 24X	1200	on-board	I024120PB1284437	A

## MO 404



### **Motor on board**

### **Lighting:**

Led spot 4W 5000°K

### **Control Panel:**

Remote Control

### **Grease filter:**

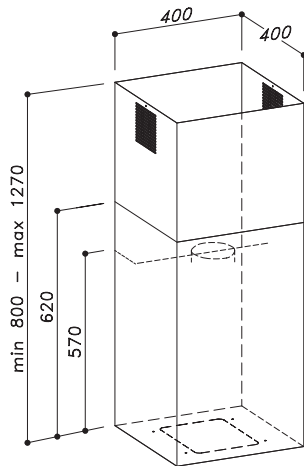
Anodized aluminum (5+1 layers)

### **Material:**

Stainless steel AISI304

product	motor	model identifier	EEC
MO404	on-board	I404036RC1282604	A

# MO 405



**Motor on board**

**Lighting:**

Led spot 4W 5000°K

**Control Panel:**

Remote Control

**Grease filter:**

Anodized aluminum (5+1 layers)

**Material:**

Stainless steel AISI304

product	motor	model identifier	EEC
MO405	on-board	I405040RC1282604	A







# WALL HOODS



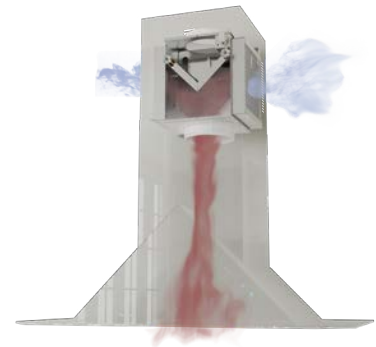




# ARROW SLTC120



Available with S.A.M.S. System  
see page 10



## **Motor:**

on board

## **Lighting:**

1x3,75W Dimmable and dynamic Led bar (2700 to 6500°K)

## **Control panel:**

Touch control 4 speeds + light switch + timer + Air Management System

## **Filter:**

Anodized aluminum (5+1 layers)

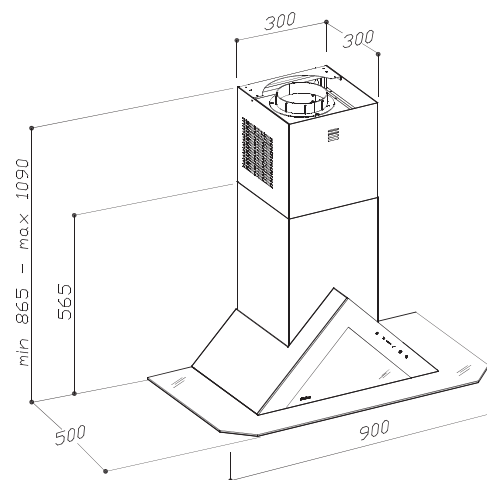
## **Finishing:**

Matt black painted

Smoked glass

## **S.A.M.S. Sirius Air Management System**

## **System**



product	dim.	motor	model identifier	EEC
SL120	900	on board	P120090TV1284404	A+





# TIKAL SLTC 121



**Motor:**

on board

**Lighting:**

1x3,75W Dimmable and dynamic Led bar (2700 to 6500°K)

**Control panel:**

Touch control 4 speeds + light switch + timer + Anti-drop System

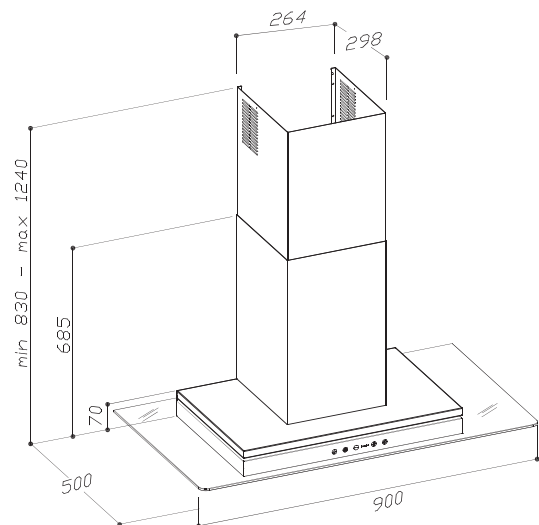
**Filter:**

Anodized aluminum (5+1 layers)

**Finishing:**

Matt black painted

Smoked glass



**ANTI-DROP SYSTEM**

product	dim.	motor	model identifier	EEC
SL121	900	on board	P121090TA1284457	A

## FLAT SLTC 111

### **Motor on board:**

Top or back vented

### **Lighting:**

3,75W Dimmable and dynamic  
Led bar (2700 to 6500°K)

### **Control panel:**

Touch Control 4 speeds + light  
switch + timer

### **Grease filter:**

Anodized aluminum (5+1 layers)

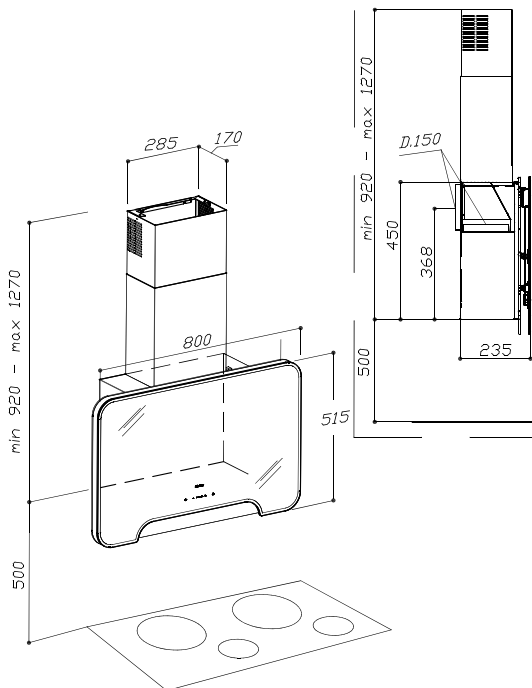
### **Material:**

Stainless Steel AISI430 and glass

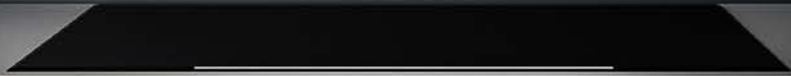
### **Finishing:**

Front panel in White or Black  
glass with crystal transparent  
edge

Back glass White



product dim. motor model identifier EEC  
SLTC111 800 on-board P111080TC1240237 A





## RADAR SLTC 114

### Motor on board:

Top or back vented

### Lighting:

3,75W Dimmable and dynamic Led bar (2700 to 6500°K)

### Control panel:

Touch Control 4 speeds + light switch + timer

### Grease filter:

Anodized aluminum (5+1 layers)

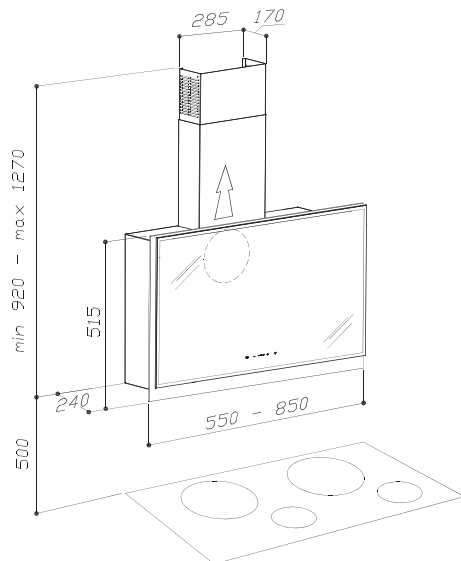
### Material:

Painted stainless Steel AISI430 and glass

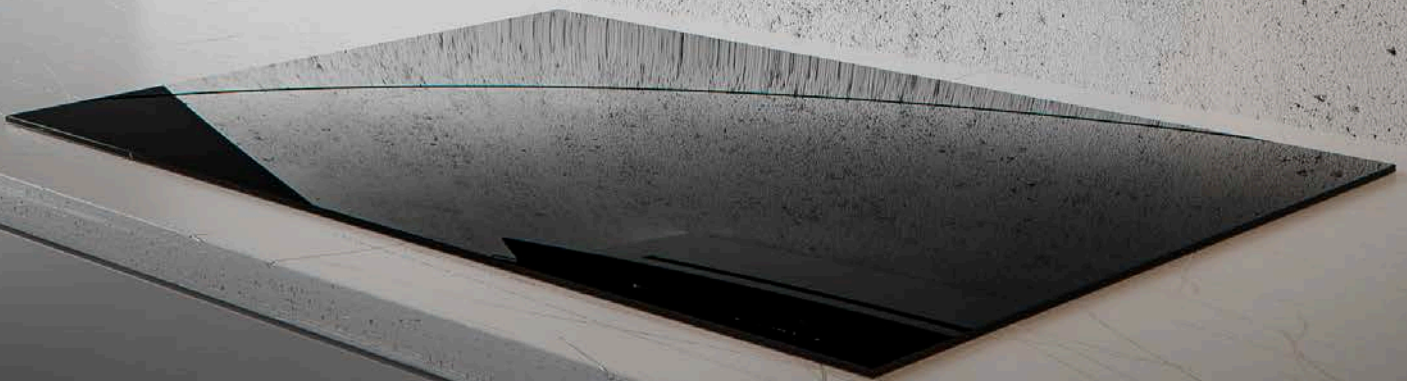
### Finishing:

Front panel in Black glass with crystal transparent edge

Back glass Black



product	dim.	motor	model identifier	EEC
SLTC114	550	on-board	P114055TC1364137	A
SLTC114	850	on-board	P114085TC1364422	A



## SLTC 119

**Motor on board:**

Top or back vented

**Lighting:**

3,75W Dimmable and dynamic Led bar (2700 to 6500°K)

**Control panel:**

Touch Control 4 speeds + light switch + timer

**Filter:**

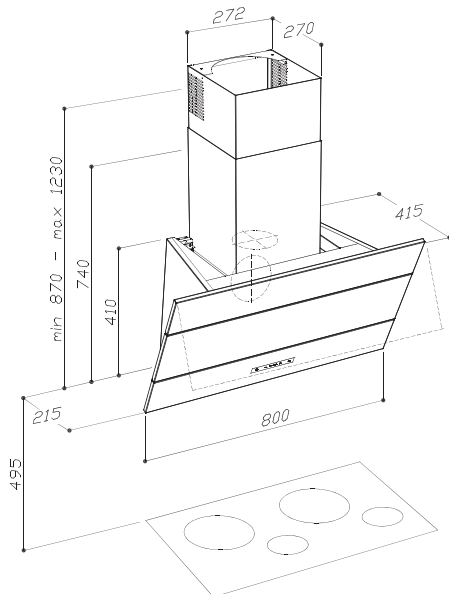
Anodized aluminum (5+1 layers)

**Material:**

Stainless Steel AISI430

**Finishing:**

Inox / Black



product	dim. motor	model identifier	EEC
SLTC119	800 on-board	P119080TC1284022 A	

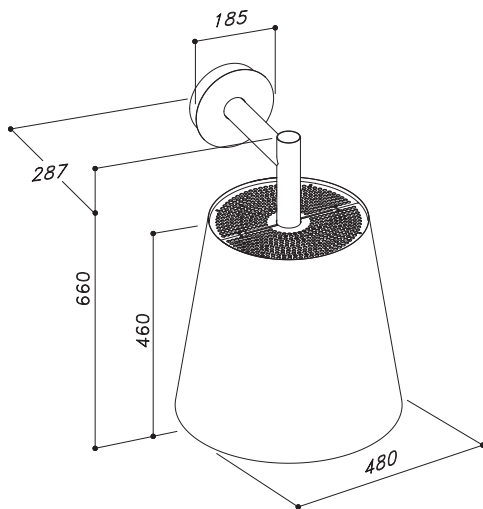








**Chromed bracket**



**Motor on board:**

600m<sup>3</sup>/h

230W

63 dBA

**Lighting:**

1x40W round neon

**Control panel:**

Remote control

**Grease filter:**

Anodized aluminum (4+1 layers)

Washable carbon filter KF39

**Material:**

Painted stainless Steel

**Finishing:**

White/black

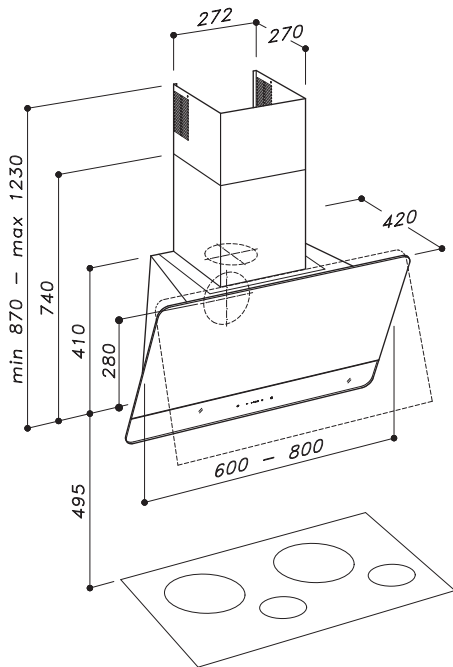
Chromed bracket

**Perimetral suction**

**Only filtering version**

## APPLIQUE SLT 105





**Motor on board:**

Top or back vented

**Lighting:**

3,75W Dimmable and dynamic Led bar  
(2700 to 6500°K)

**Control panel:**

Touch Control 4 speeds + light switch +  
timer

**Filter:**

Anodized aluminum (5+1 layers)

**Material:**

Painted stainless Steel AISI430 and glass

**Finishing:**

Upper glass Gold or Black painted

product	dim. motor	model identifier	EEC
SLTC93	600 on-board	P093060TC1284022 A	
SLTC93	800 on-board	P093080TC1284022 A	

## SKINNY SLTC 93

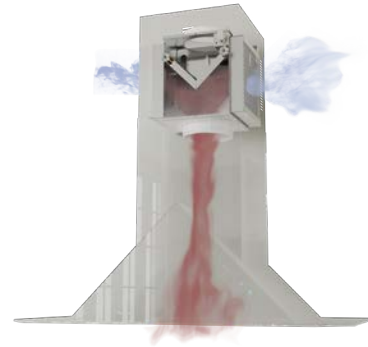




# JEEG SLTC 97 S.A.M.S.



Available with S.A.M.S. System  
see page 10



**Motor on board:**

Top or back vented

**Lighting:**

2 x 3,75W Dimmable and dynamic  
Led bar (2700 to 6500°K)

**Control panel:**

Touch Control 4 speeds + light  
switch + timer

Touch control 4 speeds+light  
switch+timer+Air Management  
System (SLTC97 S.A.M.S.)

**Filter:**

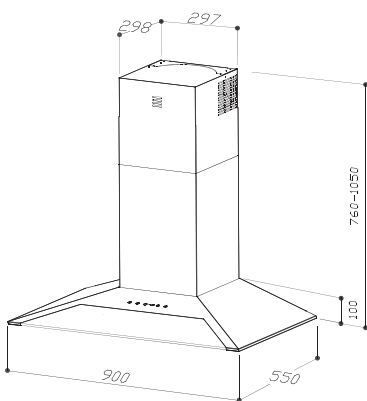
Stainless steel and anodized alumi-  
num (5+1 layers)

**Material:**

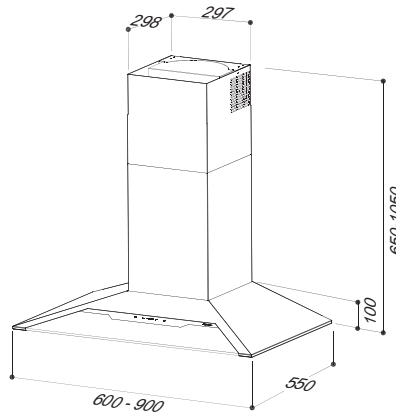
Painted stainless steel and smoked  
glass

**Finishing:**

Black, White



SLTC 97 S.A.M.S



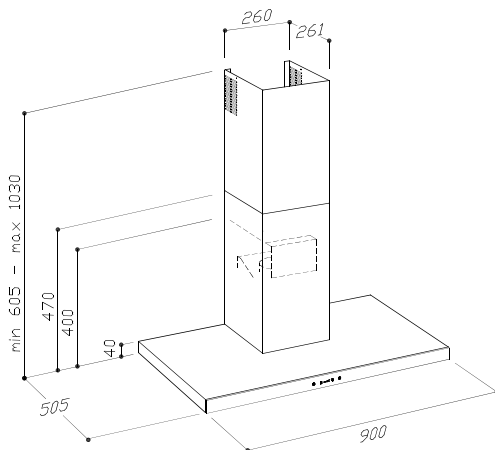
SLTC 97

product	dim.	motor	model identifier	EEC
SLTC97	600	on-board	P097060TC1284075	A
SLTC97	900	on-board	P097090TC1284002	A+

## JEEG SLTC 97



## SLTC 92



product dim. motor model identifier EEC  
SLTC92 900 on-board P092090TC1284037 A

### **Motor on board**

### **Lighting:**

2x3,75W dimmable and dynamic  
Led bar (2700 to 6500°K)

### **Control panel:**

Touch Control 4 speeds + light  
switch + timer

### **Grease filter:**

Baffle filter AISI430

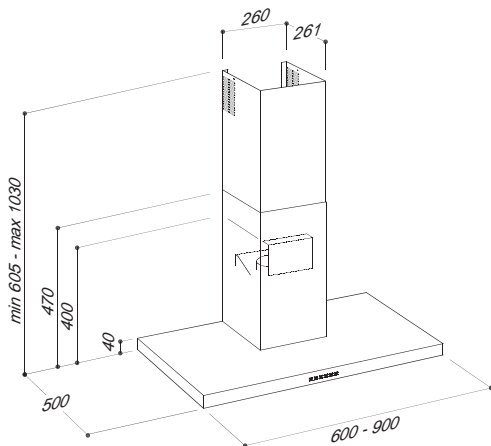
### **Material:**

Stainless steel AISI 430 and glass

### **Finishing:**

Black glass

## SL 92



### **Motor on board**

### **Lighting:**

2x3,75W dimmable and dynamic Led bar (2700 to 6500°K)

### **Control panel:**

Chromed 4 speeds push-button+light switch+timer

### **Grease filter:**

Baffle filter AISI430

### **Material:**

Stainless steel AISI 430

product	dim.	motor	model identifier	EEC
SL92	600	on-board	P092060PB1284037	A
SL92	900	on-board	P092090PB1284037	A



## SL107

### Motor on board

#### Lighting:

2x3,75W dimmable and dynamic Led bar (2700 to 6500°K)

#### Control panel:

Chromed 4 speeds push-button+light switch+timer (SL107 version)

Touch Control 4 speeds + light switch + timer (SLTC107 version)

#### Filter:

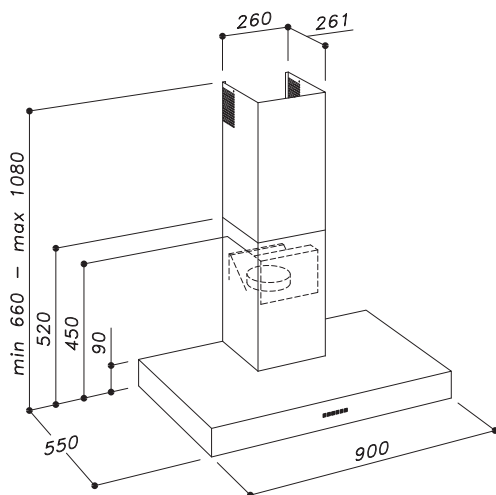
commercial style baffle filters  
SS304

with oil collector

#### Material:

Stainless steel AISI304 (SL107 version)

Stainless steel AISI430 and glass panel (SLTC107 version)



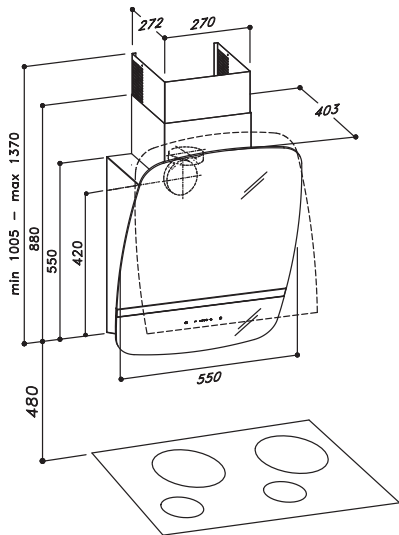
*oil collector*

product	dim.	motor	model identifier	EEC
SL107	900	on-board	P107090PB1280144	A+
SLTC107	900	on-board	P107090TC1284044	A+

## SLTC 107



## SLTC 90



product dim. motor model identifier EEC  
SLTC90 550 on-board P090055SL1020113 A

**Motor on board:**

Top or back vented

**Lighting:**

1x6,5W Led Strip

**Control panel:**

Touch Control 4 speeds + light switch + timer

**Grease filter:**

Anodized aluminum (5+1 layers)

**Material:**

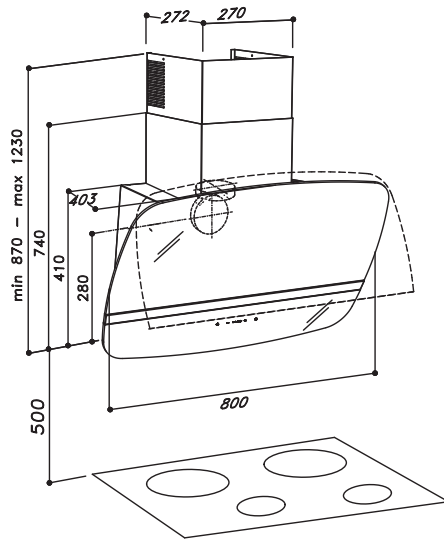
Stainless steel AISI 430 and glass

**Finishing:**

White glass

Black glass

## SLTC 91



### **Motor on board:**

Top or back vented

### **Lighting:**

1x6,5W Led Strip

### **Control panel:**

Touch Control 4 speeds + light switch  
+ timer

### **Grease filter:**

Anodized aluminum (5+1 layers)

### **Material:**

Stainless steel AISI430 and glass

### **Finishing:**

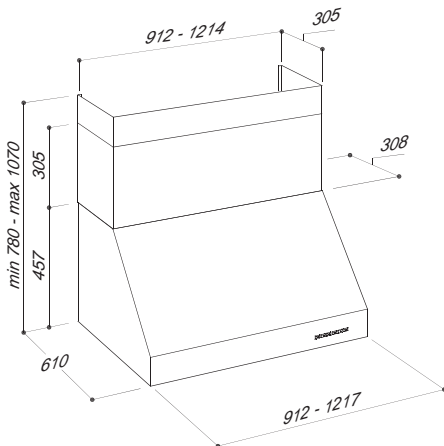
White glass

Black glass

product dim. motor model identifier EEC  
SLTC91 800 on-board P091080SL1020122 A



# SL109



product	dim.	motor	model identifier	EEC
SL109	900	on-board	P109090PB1034044	A
SL109	1200	2 Mot on-board	P109120PB2034045	B

## Motor on board

## Lighting:

2x3,75W Dimmable and dynamic led bar (2700 to 6500°K)

## Control Panel:

Chromed 4 speeds push-button+light switch+timer

## Grease filter:

Commercial style baffle filters AISI304 with oil collector

## Material:

Stainless steel AISI304

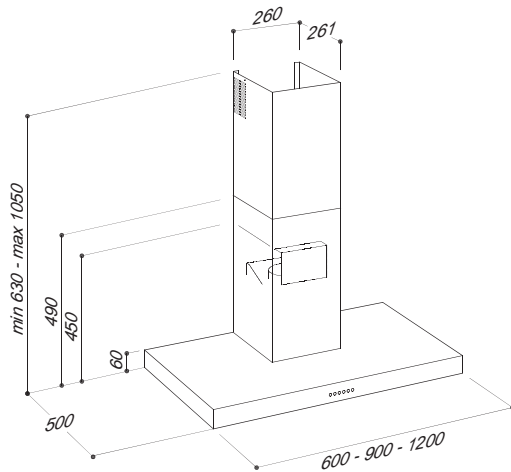
## Finishing:

Stainless steel



Upper and lower chimneys to be purchased separately

## SL 31



### **Motor:**

motor on board

### **Lighting:**

2x2,1W Led spotlight

### **Control panel:**

Chromed 4 speeds push-button+light switch+timer

### **Grease Filter:**

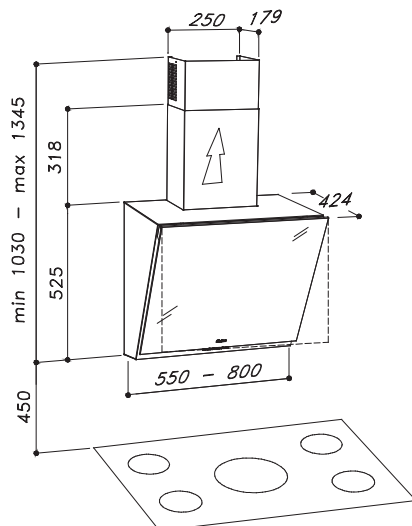
Anodized aluminum (5+1 layers)

### **Material:**

Stainless Steel AISI430

product	dim.	motor	model identifier	EEC
SL 31	600	on-board	P031060PB1284937	A
SL 31	900	on-board	P031090PB1280637	A
SL 31	1200	on-board	P031120PB1280637	A

## SL 89



### **Motor on board**

### **Lighting:**

2x2,1W Led spotlight

### **Control Panel:**

Chromed 4 speeds push-button+light switch+timer

### **Grease filter:**

Anodized aluminum (5+1 layers)

### **Material:**

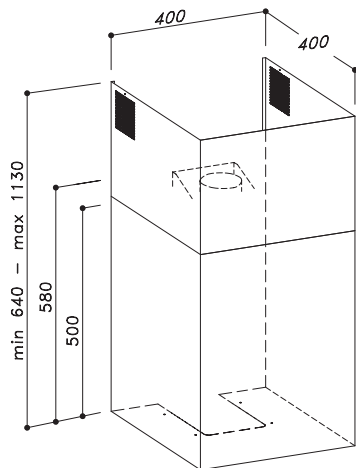
Stainless steel AISI430 and glass

### **Finishing:**

Black glass

product	dim.	motor	model identifier	EEC
SL89	550	on-board	P089055PB1280542	A
SL89	800	on-board	P089080PB1280542	A

# MO 207



**Motor on board**

**Lighting:**

Led spot 4W 5000°K

**Control Panel:**

Remote Control

**Grease filter:**

Anodized aluminum (5+1 layers)

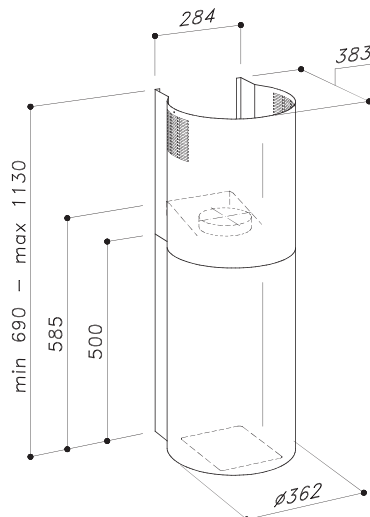
**Material:**

Stainless steel AISI304

product dim. motor model identifier EEC  
MO207 on-board P207040RC1282604 A



# MO 208



**Motor on board**

**Lighting:**

Led spot 4W 5000°K

**Control Panel:**

Remote Control

**Grease filter:**

Anodized aluminum (5+1 layers)

**Material:**

Stainless steel AISI304

product	dim.	motor	model identifier	EEC
MO208		on-board	P208036RC1282604	A











BUILT-IN PRODUCTS



**Motor on board:**

Top or back vented

**Lighting:**

1x6W Dimmable and dynamic Led bar (2700 to 6500°) (SLTC919 85cm version)

1x3,75W Dimmable and dynamic Led bar (2700 to 6500°K) (SLTC919 52cm version)

**Control Panel:**

Touch control 4 speeds+light switch+timer

**Grease filter:**

Anodized aluminum (5+1 layers)

**Material:**

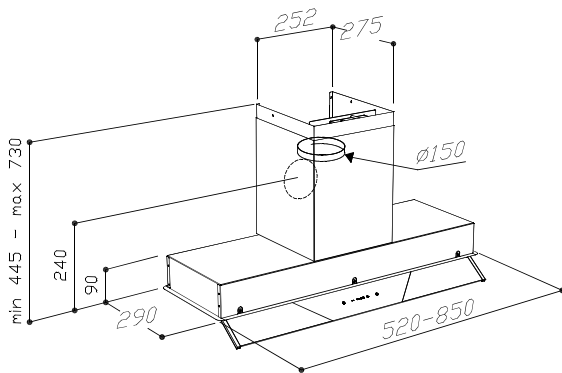
Stainless steel AISI430 and glass

**Installation:**

Cut Out:

Create a niche in the cabinet for 498x265mm (52cm version)

828x265mm (85cm version)



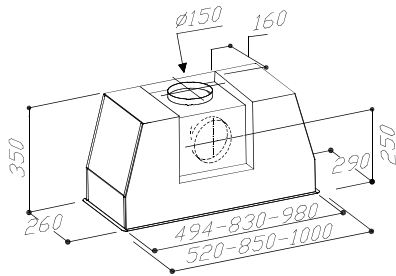
product	dim.	motor	model identifier	EEC
SLTC 919 520	on-board	G919T52TC	1284466	A
SLTC 919 850	on-board	G919T85TC	1284567	A

**WING** SLTC 919





## SL 906-L



oil collector

product	dim.	motor	model identifier	EEC
SL 906-L	520	on-board	G906052PB1284052 A	
SL 906-L	850	on-board	G906085PB1284153 A	
SL 906-L	1000	on-board	G906100PB1282749 A	

### **Motor on board:**

Top or back vented

### **Lighting:**

1x3,75W Dimmable and dynamic Led bar (2700 to 6500°K) (52 cm version)

1x6W Dimmable and dynamic Led bar (2700 to 6500°K) (85 version)

2x3,75W Dimmable and dynamic Led bars (2700 to 6500°K) (100cm version)

### **Control Panel:**

Chromed 4 speeds push-button+light switch+timer

### **Grease filter:**

Commercial style baffle filters AISI304 with oil collector

### **Material:**

Stainless steel AISI430

### **Installation:**

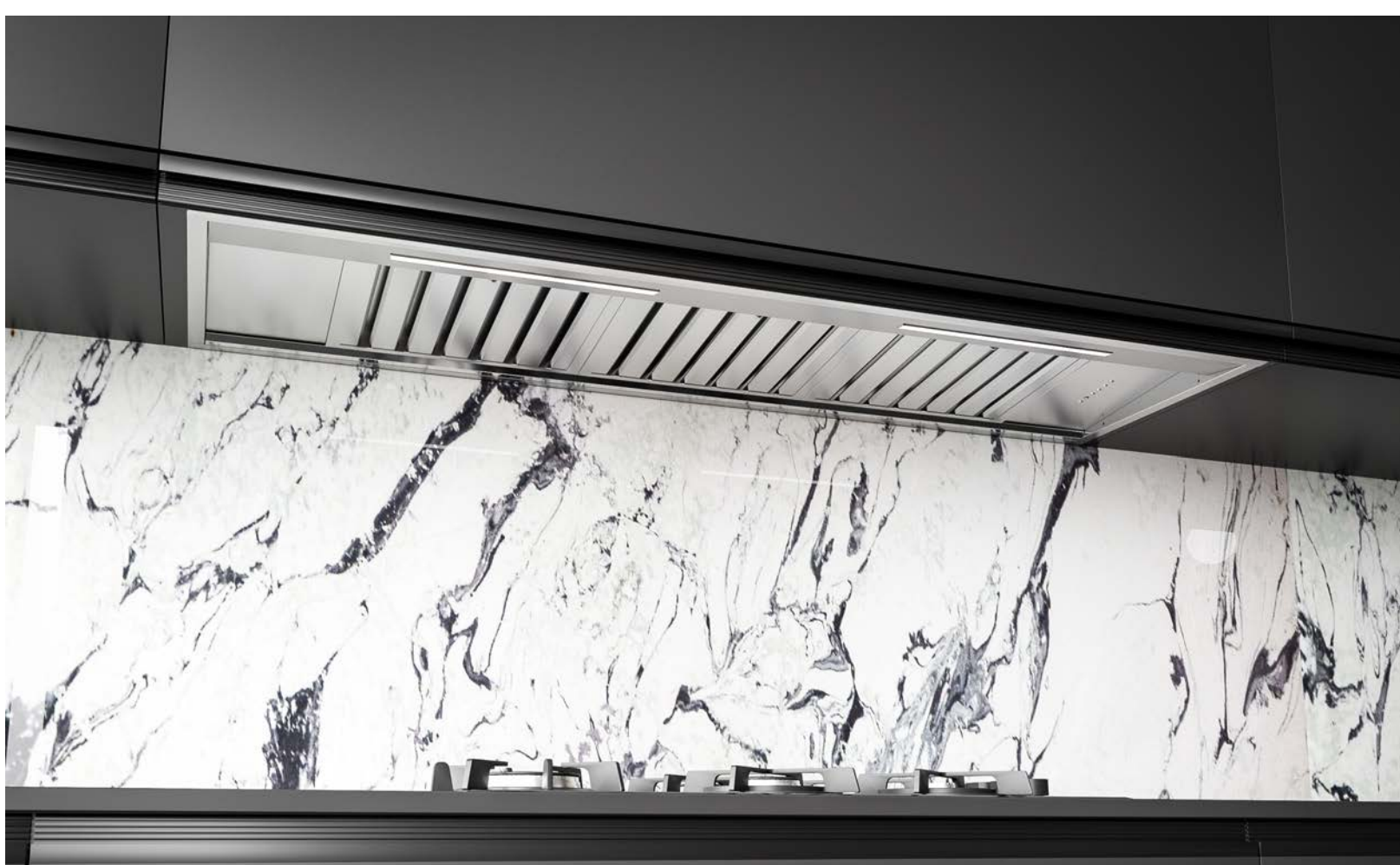
Cut Out:

Create a niche in the cabinet for

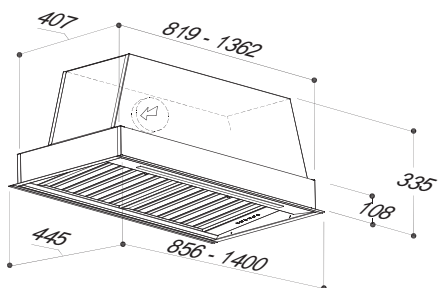
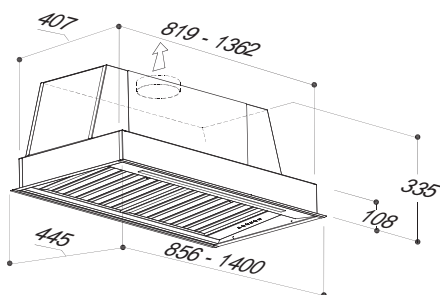
498x265mm (52cm version)

835x265mm (85cm version)

985x265mm (100cm version)



## SL 909



product	dim.	motor	model identifier	EEC
SL 909	856	on-board	G909086PB1284148	A
SL 909	1400	on-board	G909140PB1284048	A+

### **Motor on board:**

Top or back vented

### **Lighting:**

1X6W Dimmable and dynamic Led bar (2700 to 6500°K) (85cm version)

2X3,75W Dimmable and dynamic Led bar (2700 to 6500°K) (140cm version)

### **Control Panel:**

Chromed 4 speeds push-button+light switch+timer

### **Grease filter:**

Commercial style baffle filters AISI304 with oil collector

### **Material:**

Stainless steel AISI430

### **Installation:**

Cut Out:

Create a niche in the cabinet for

825x410mm (SL 909 85cm version)

1365x410mm (SL 909 140cm version)



oil collector



## SLTC 928



### Motor on board:

Top or back vented

### Lighting:

1x3,75W Dimmable and dynamic Led

bar (2700 to 6500°K) (60 cm version)

1x6W Dimmable and dynamic Led

bar (2700 to 6500°K) (90cm version)

2x3,75W Dimmable and dynamic Led

bar (2700 to 6500°K) (120cm version)

### Control Panel:

Touch control 4 speeds+light

switch+timer

### Grease filter:

Anodized aluminium (5+1layers)

### Material:

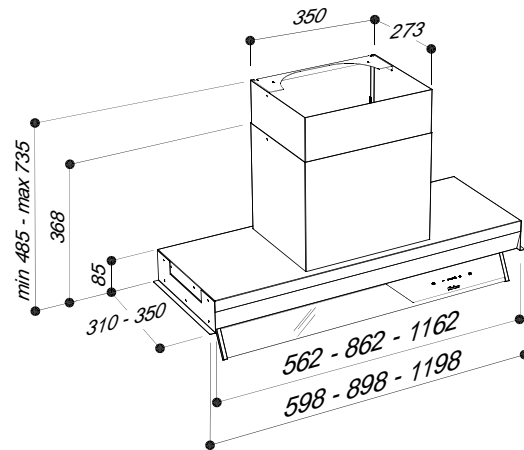
Stainless steel AISI430

### Easy installation:

No need to cut out

Directly installed in the cabinet

through guides



product	dim.	motor	model identifier	EEC
SLTC 928	600	on-board	G928060TC1014066	A
SLTC 928	900	on-board	G928090TC1014084	A
SLTC 928	1200	on-board	G928120TC1014166	A



**Motor:**

on board

**Lighting:**

1x6,5W Led strip (SM927 52cm version)

1x10,5W Led strip (SM927 85cm version)

**Control Panel:**

4 speeds push-button+light switch

**Grease filter:**

Anodized aluminum (5+1layers)

**Material:**

Painted stainless steel and glass panel

**Finishing:**

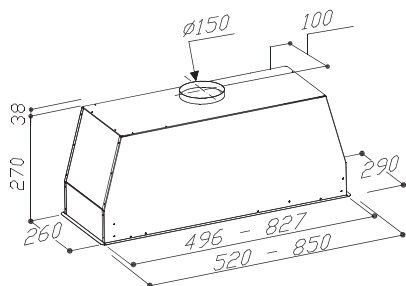
Black / White

**Installation:**

Cut Out:

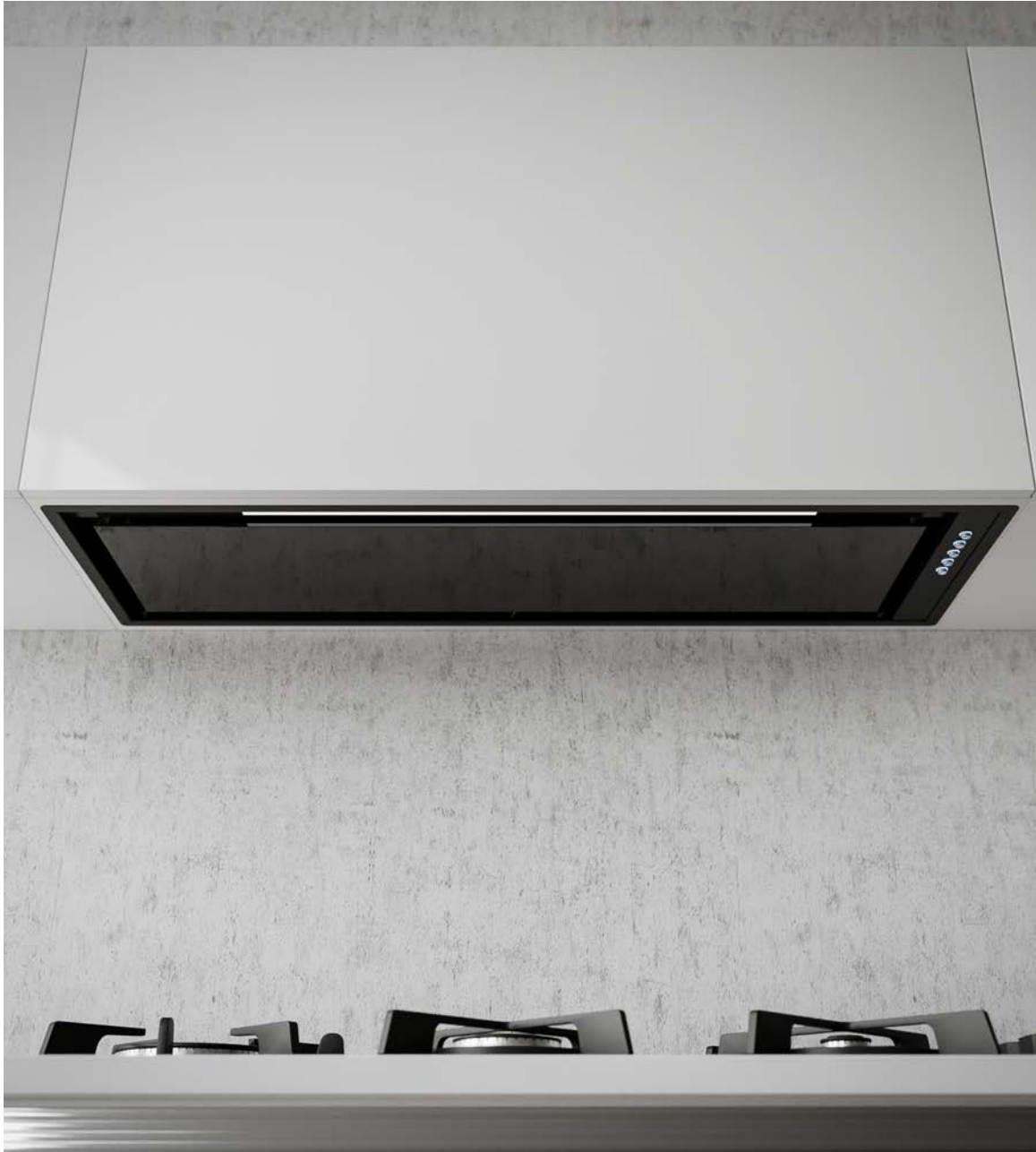
Create a niche in the cabinet for 505x270mm (SM927 52cm version)

835x270mm (SM927 85cm version)



product	dim. motor	model identifier	EEC
SM927	520 on-board	G927052PB1013527	B
SM927	850 on-board	G927085PB1013527	B

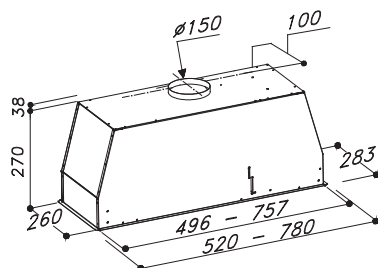
# SM 927



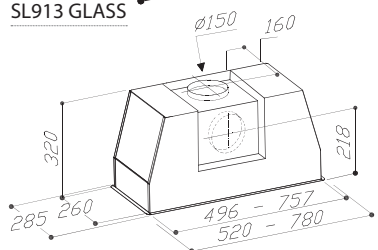




## SL 913



SL913 GLASS



SL913 INOX

product	dim.	motor	model identifier	EEC
SL 913	520	on-board	G913052PB1284427	A
SL 913	780	on-board	G913078PB1284527	A

### **Motor on board**

### **Lighting:**

1x3,75W Dimmable and dynamic Led bar (2700 to 6500°K) (52 cm version)

1x6W Dimmable and dynamic Led bar (2700 to 6500°K) (78 cm version)

### **Control Panel:**

Chromed 4 speeds push-button+light switch+timer

### **Grease filter:**

Anodized aluminum (5+1layers)

### **Material:**

Stainless steel

Glass

### **Finishing:**

White painted and white glass panel (SL913 glass version)

Stainless steel (SL913 inox version)

### **Installation:**

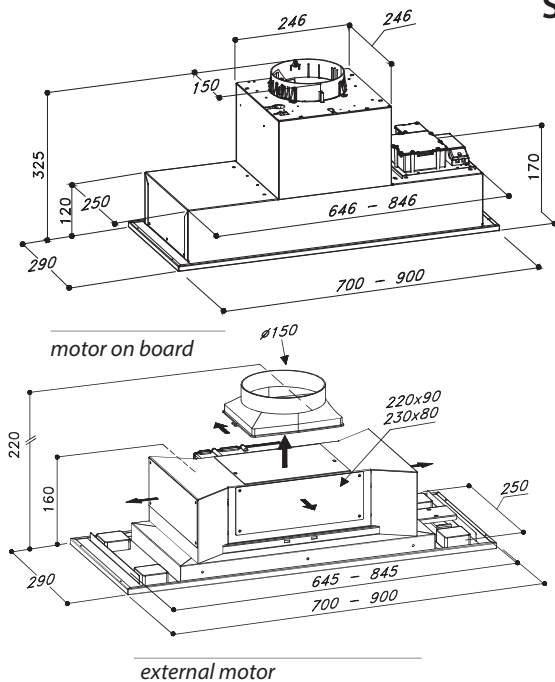
#### **Cut Out:**

Create a niche in the cabinet for 502x265mm (SL913 52cm version)

764x265mm (SL913 78cm version)



## SL 903-P



### **Motor:**

motor on board or external motor version (to be purchased separately)

### **Lighting:**

4x2,1W Led spotlight

### **Control Panel:**

Chromed 4 speeds push-button+light switch+timer

### **Grease filter:**

Anodized aluminum (5+1 layers)

### **Material:**

Stainless steel AISI430

### **Installation:**

Cut Out:

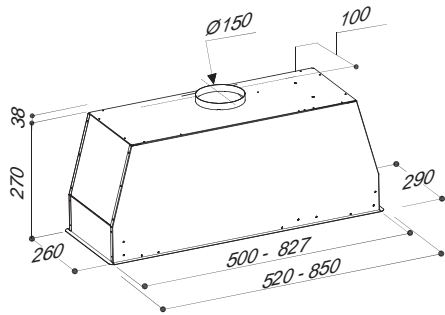
Create a niche in the cabinet for 649x255mm (SL903 70cm version)

849x255mm (SL903 90cm version)

product	dim.motor	model identifier	EEC
SL 903-P	700 on-board	G903070PB1280541	A
SL 903-P-EM	700 SEM1	G903070PB1290541	B
SL 903-P-EM	700 SEM2	G903070PB1150541	C
SL 903-P	900 on-board	G903090PB1280541	A
SL 903-P-EM	900 SEM1	G903090PB1290541	B
SL 903-P-EM	900 SEM2	G903090PB1150541	C



## SM 923-L



product	dim.	motor	model identifier	EEC
SM923-L	520	on-board	G923052PB1013580	A
SM923-L	850	on-board	G923085PB1013382	A

### **Motor:**

on board

### **Lighting:**

Led strip 1x6,5W (SM923 52cm version)

Led strip 1x10,5W (SM923 85cm version)

### **Control Panel:**

4 speeds push-button+light switch+timer

### **Grease filter:**

Anodized aluminum (5+1 layers)

### **Material:**

Stainless steel AISI430

### **Installation:**

#### **Cut Out:**

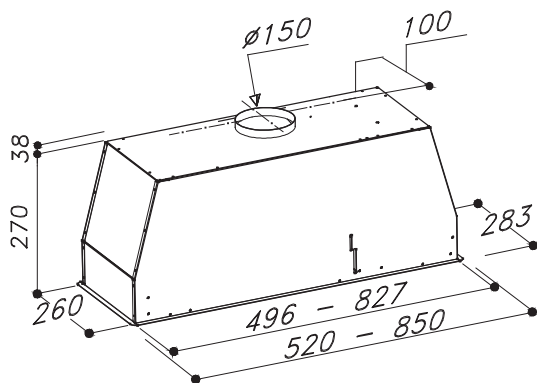
Create a niche in the cabinet for 270x505mm (SM923 52cm version)

270x835mm (SM923 85cm version)





## SM 905



### **Motor on board**

#### **Lighting:**

2x2,1W Led spotlight

#### **Control Panel:**

3 speeds push-button+light switch

#### **Grease filter:**

Anodized aluminum (4+1 layers)

#### **Material:**

Stainless steel AISI430

### **Installation:**

#### **Cut Out:**

Create a niche in the cabinet for

265x502mm (SM905 52cm version)

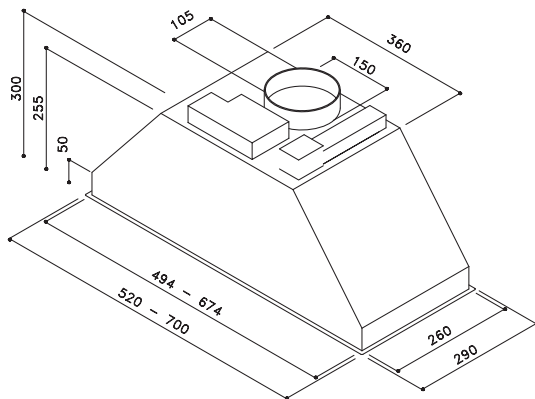
265x834mm (SM905 85cm version)

product	dim.	motor	model identifier	EEC
SM 905	520	on-board	G905052PB1010624	B
SM 905	850	on-board	G905085PB1010624	B





## SL - SM 900



product	dim.	motor	model identifier	EEC
SM 900	520	on-board	G900052PB1010657	B
SM 900	700	on-board	G900070PB1010657	B
SL 900	520	on-board	G900052PB1280657	A
SL 900	700	on-board	G900070PB1280657	A

### **Motor on board**

### **Lighting:**

2x2,1W Led spotlight

### **Control Panel:**

Chromed 4 speeds push-button+light switch+timer (SL version)

4 speed push-button+light switch+timer (SM version)

### **Grease filter:**

Anodized aluminum (5+1 layers)

### **Material:**

Stainless steel AISI430

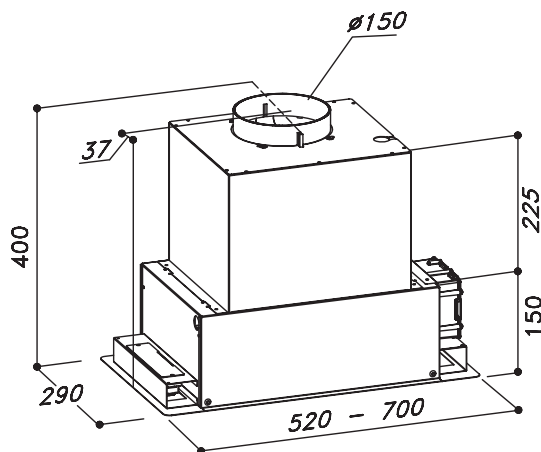
### **Installation:**

#### **Cut Out:**

Create a niche in the cabinet for  
495x272mm (SL900 52cm version)  
675x272mm (SL900 70cm version)



## SL 907



### Motor on board

#### Lighting:

Led panel 1x4W (SL907 52cm version)

Led panel 1x11W (SL907 70cm version)

#### Control Panel:

Chromed 4 speeds push-button+light switch+timer

#### Grease filter:

Anodized aluminum (5+1layers)

#### Material:

Stainless steel AISI430

### Installation:

#### Cut Out:

Create a niche in the cabinet for 270x498mm (SL907 52cm version)

270x675mm (SL907 70cm version)

product	dim.	motor	model identifier	EEC
SL 907	520	on-board	G907052PB1285559	A
SL 907	700	on-board	G907070PB1285646	A









# VENTED INDUCTION HOBS





# SYNTHESIS SDDH6



## Motor on board (Brushless)

### Product Operation

Touch control 4 speeds + timer

### Material

Black ceramic glass

Black painted metallic grill

### Hob Specifications

Induction G5

Automatic heat-up function

Safety Lock

Timer function

Over-heating operation

"Keep Warm" function

Pause and recall function

Bridge function

Touch controls

Booster function on all zones

Cooking output

4 zones 184x220mm 2100W; Power  
3700W

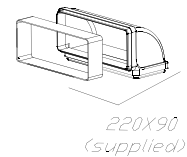
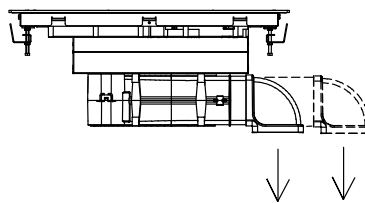
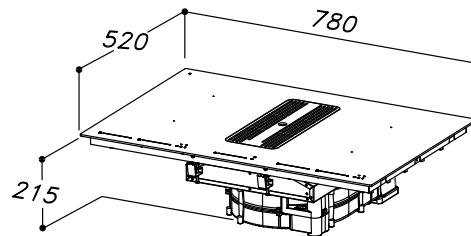
Max power 7,4 kW

Electric rating 220-240V (50/60 Hz)

**Filtering Kit** (see page 172)

### Cut out:

Create a niche in the countertop  
using the following dimensions:  
750x490mm



product  
SDDH6 BRH

motor  
on board

model identifier  
D006078TC135XX79

EEC  
A+

## SENSE



### Lighting

1x1,4W Dimmable and dynamic  
Led spot (2700K to 6500K)

### Material

Ceramic

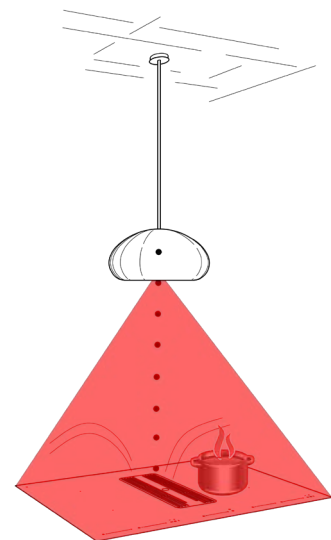
### Finishing

Ceramic Shell: Handmade  
ceramic black or white matt  
painted

Inside the ceramic lamp SENSE,  
the technological system  
patented by Sirius.

This can match the Synthesis  
vented induction hob, assuring  
both a proper lighting and  
the maximum energy comfort.

The sensors and electronically  
advanced devices  
detect air quality and the  
temperature produced  
while cooking, automatically  
activating the suction of  
the vented induction hob.











## SHADOW SDDH5



### **Motor:**

Motor on board (Brushless)

### **Control panel:**

Touch control 4 speeds+timer integrated on the induction hob

### **Filter:**

Anodized aluminum

### **Hob Specifications**

Induction G5

Automatic heat-up function

Safety Lock

Timer function

Over-heating operation

"Keep Warm" function

Pause and recall function

Bridge function

Touch controls

Booster function on all zones

Cooking output

4 zones 184x220mm 2100W; Power 3700W

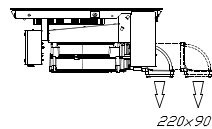
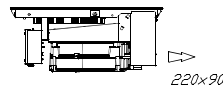
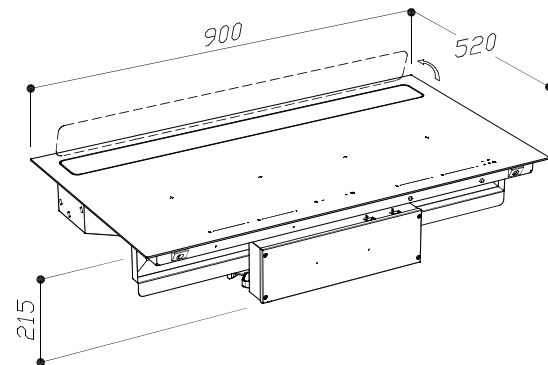
Max power 7,4 kW

Electric rating 220-240V (50/60 Hz)

**Filtering Kit** (see page 173)

### **Cut out:**

Create a niche in the countertop using the following dimensions:  
860x490mm



product  
SDDH5 BRH

motor  
on board

model identifier  
D005090TC135XXXX

EEC  
A+

## SDDH 1



**Motor:**

motor on board or external motor version (to be purchased separately)

**Lighting:**

1x5 W LED strip

**Control panel:**

Touch Control 4 speeds+light switch+timer integrated on the Induction Hob

**Filter:**

anodized aluminum (4+1 layers)

**Material:**

Stainless steel

**Hob Specifications**

Induction G5

Beveled edges black glass

Automatic heat-up function

Safety Lock

Timer function

Over-heating operation

“Keep Warm” function

Pause and recall function

Bridge function

Touch controls

Booster function on all zones

Cooking output

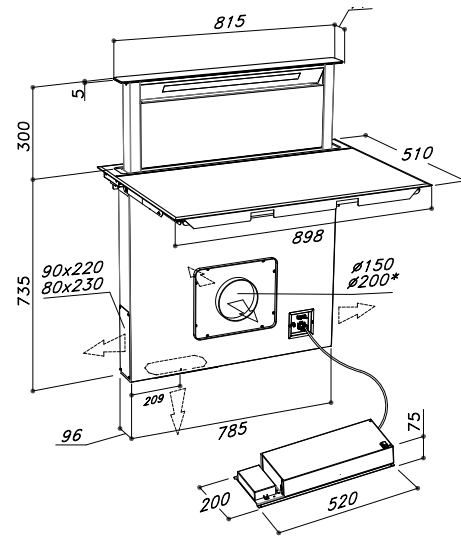
4 zones 184x220mm 2100W; Power 3700W

Max power 7,4 kW

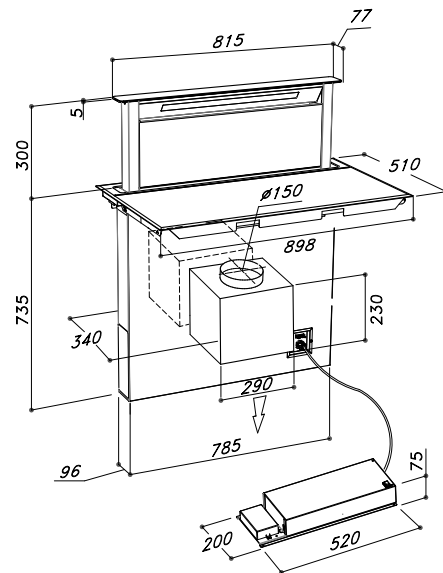
Electric rating 220-240V (50/60 Hz)

**Cut out:**

Create a niche in the countertop using the following dimensions: 860x490mm



External Motor



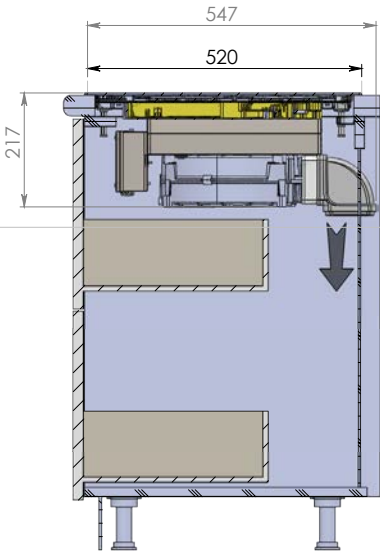
Motor on board

product	dim.	motor	model identifier	EEC
S-DDH1	900x510	on board	D009088TC1292415	A
S-DDH1 EM	900x510	SEM1	D009088TC1142415	B
S-DDH1 EM	900x510	SEM 2	D009088TC1152415	C
S-DDH1 EM	900x510	SEM 8	D009088TC1172415	C
S-DDH1 EM	900x510	SEM 10	D009088PB1302415	C
S-DDH1 EM	900x510	SEM 12	D002088PB1312415	A

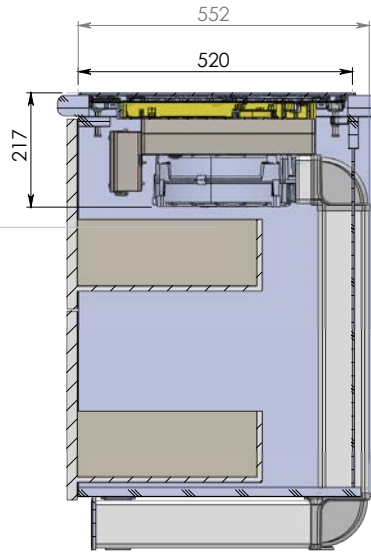


# INSTALLATION SCHEMES

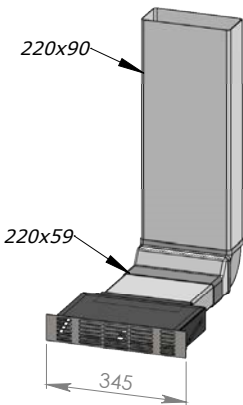
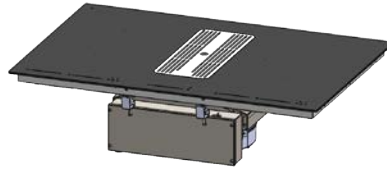
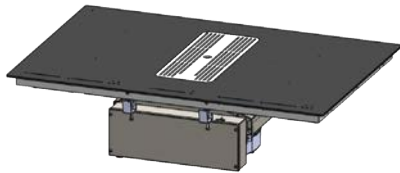
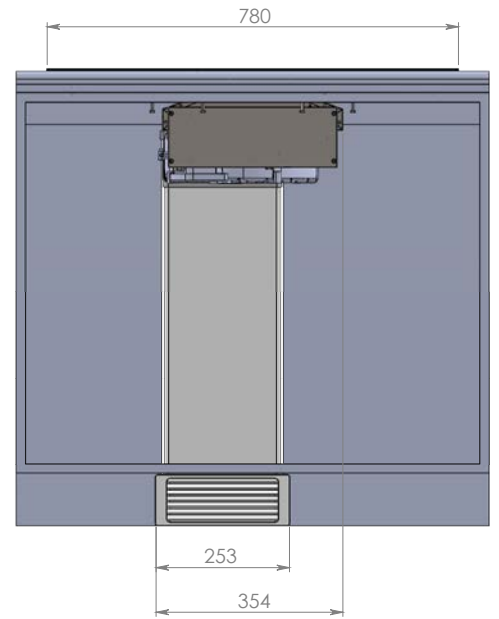
## SYNTHESIS SDDH 6



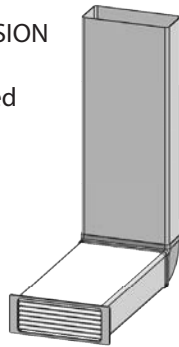
*DUCTING VERSION*



*FILTERING VERSION*



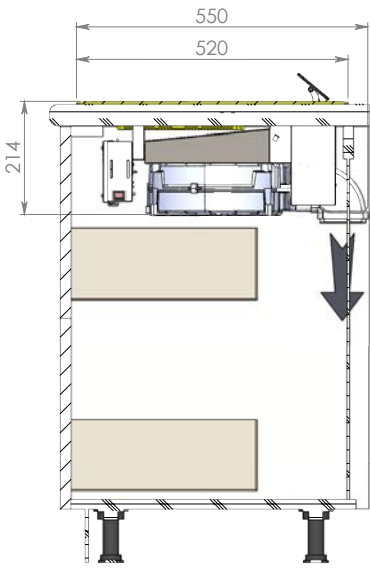
"FILTERING VERSION WITH S-KFHE3"  
(To be purchased separately)



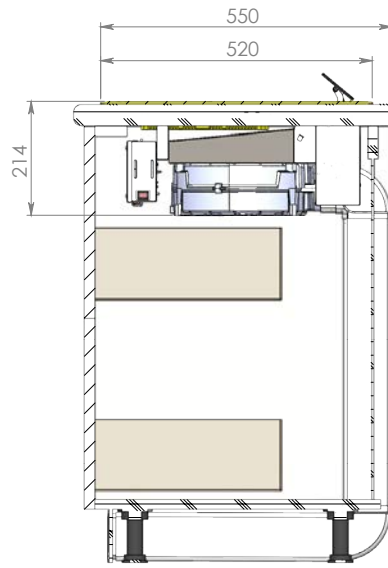
FILTERING KIT SDDH6 BRHM  
(To be purchased separately)



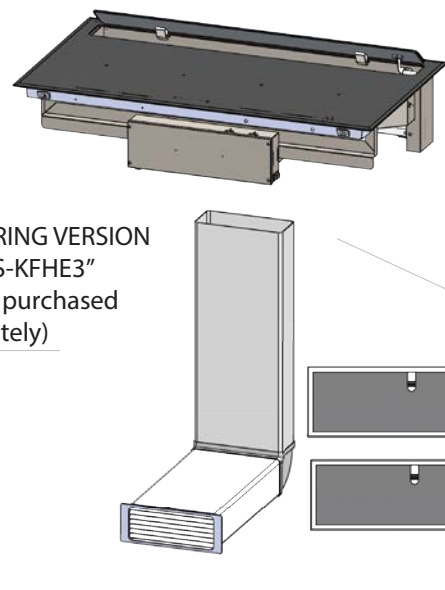
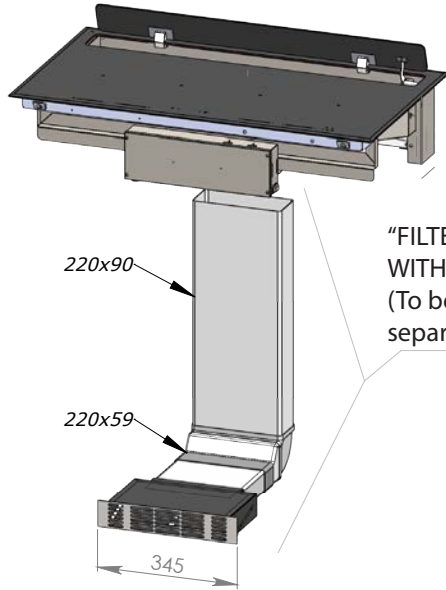
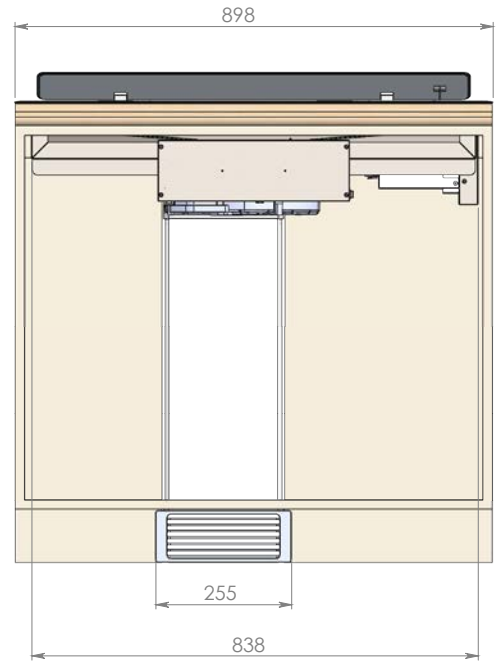
# SHADOW SDDH 5



*DUCTING VERSION*

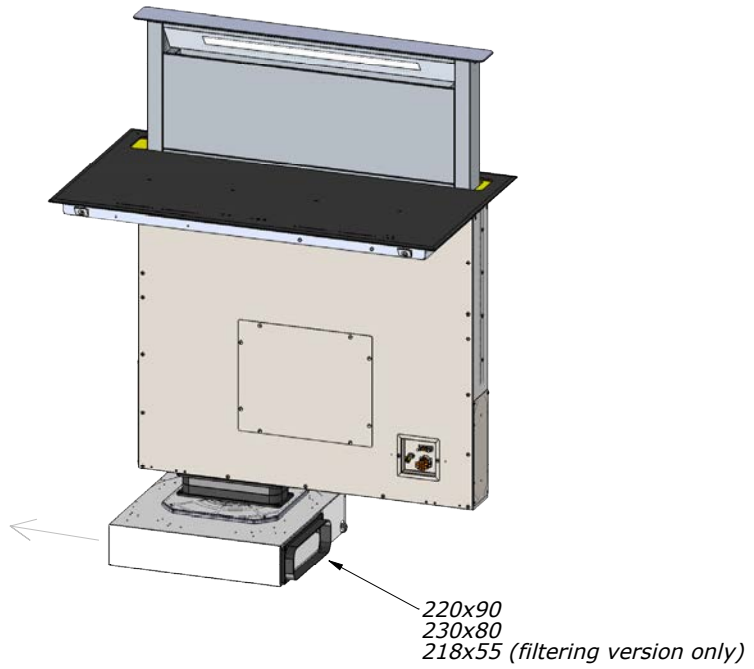
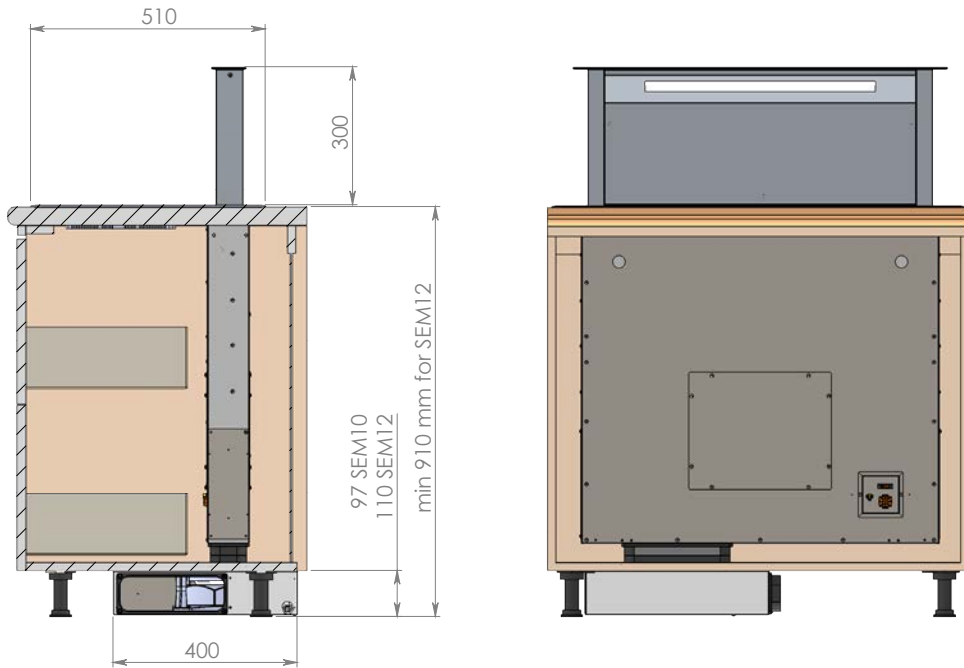


*FILTERING VERSION*



FILTERING KIT  
SDDH5 BRHM  
(To be purchased  
separately)

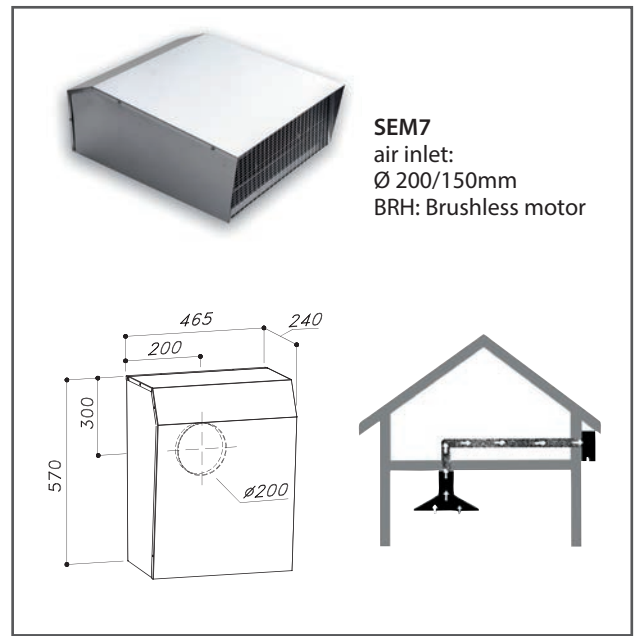
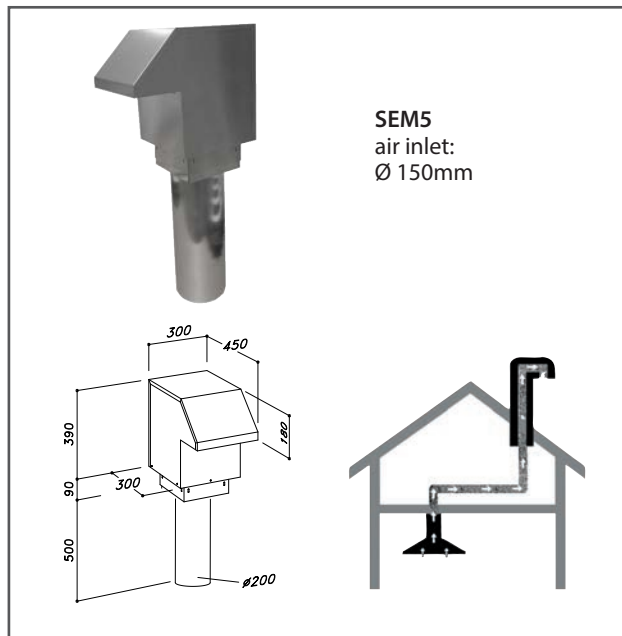
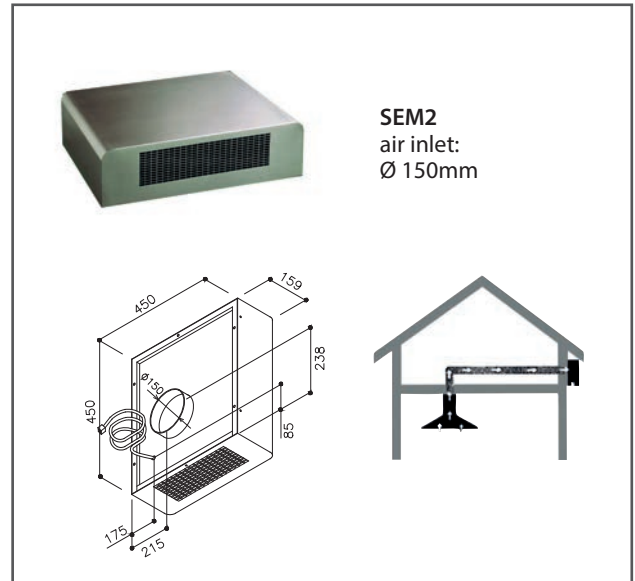
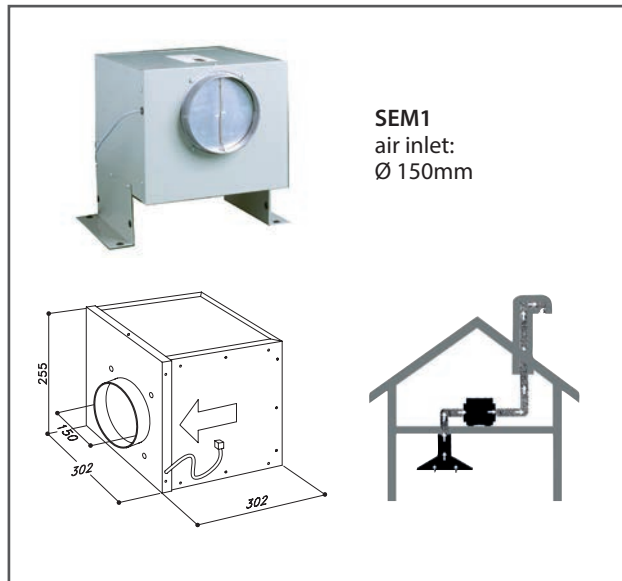
# SDDH 1 + SEM 10 / SEM 12

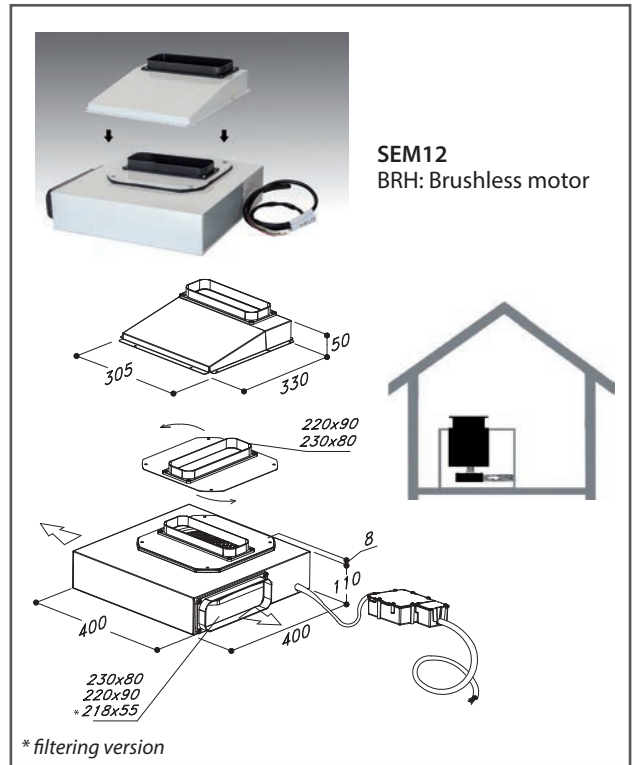
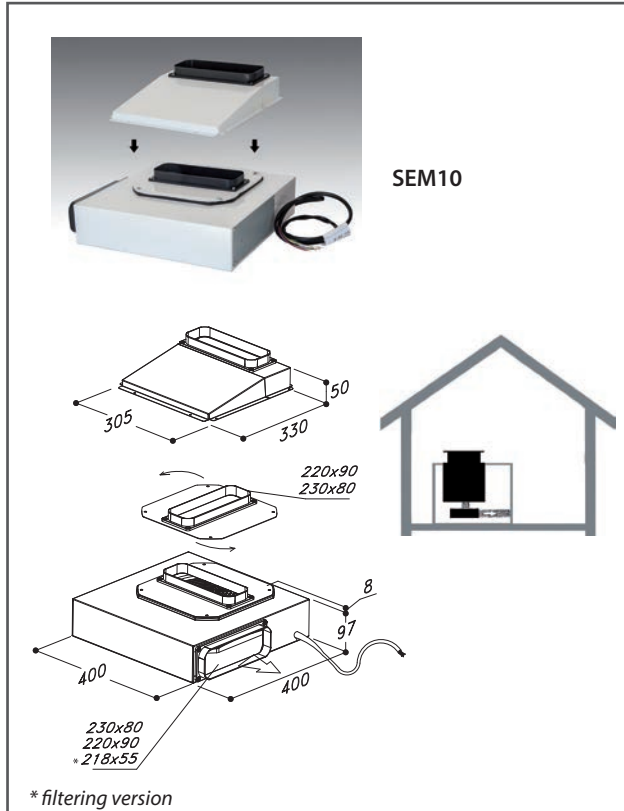
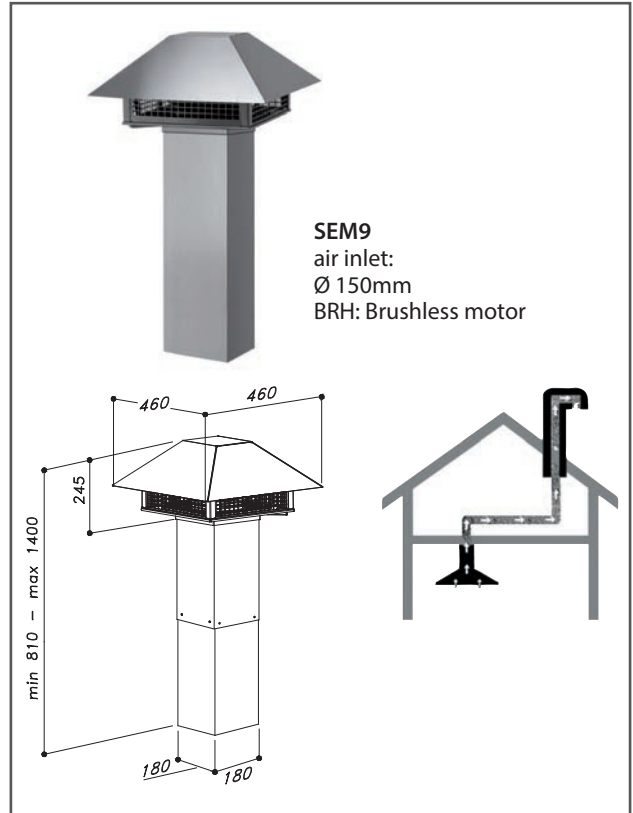
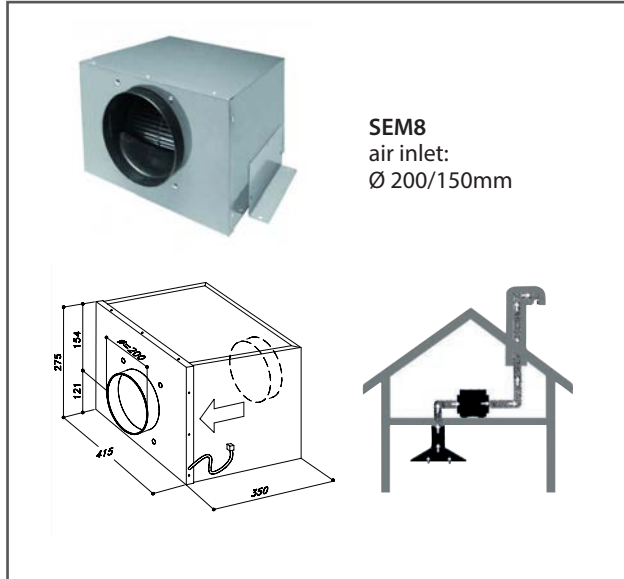


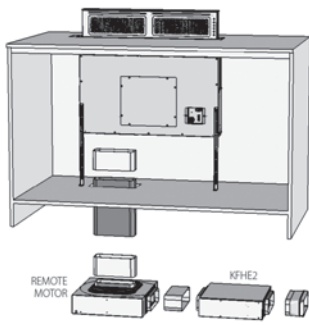




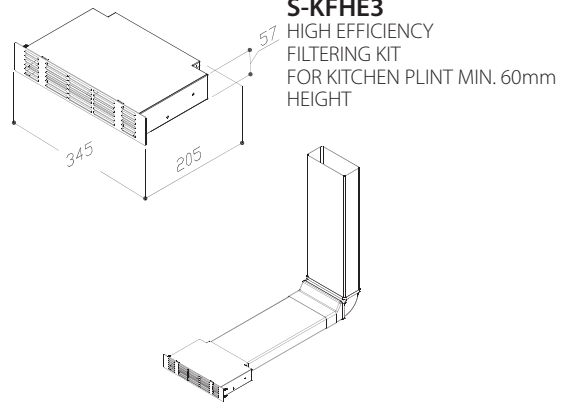
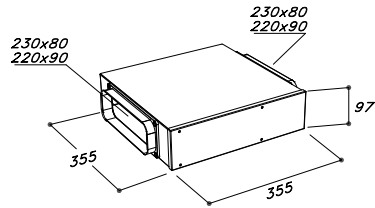
# REMOTE MOTORS



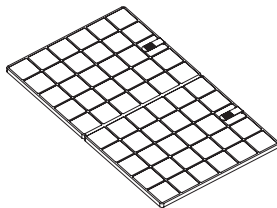




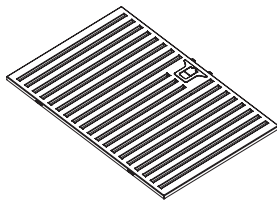
**S-KFHE2**  
HIGH EFFICIENCY  
FILTERING KIT  
FOR KITCHEN PLINT MIN. 100mm HEIGHT



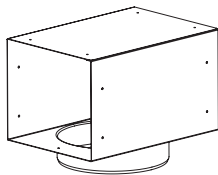
**S-KFHE3**  
HIGH EFFICIENCY  
FILTERING KIT  
FOR KITCHEN PLINT MIN. 60mm  
HEIGHT



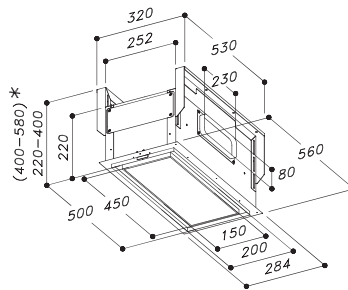
**KF**  
Charcoal filters for  
use with df when  
recirculating



**LBR**  
Stainless steel  
baffle filter-  
optional upgrade



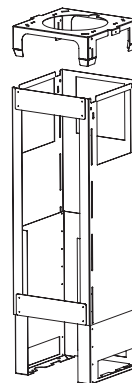
**DF**  
(AIR DEVIATOR FOR  
USE WITH KF WHEN  
RECIRCULATING)



**S-DF2\*\***  
AIR DEVIATOR FOR USE  
WITH CEILING HOODS  
WHEN RECIRCULATING  
BUILT-IN VERSION  
The air deviator needs  
to be installed at a  
minimum distance  
of 1500mm from the  
extractor



**REMOTE  
CONTROL**  
(optional)



**ISLAND  
FIXING  
SYSTEM**  
PATENTED

\* Optional bracket kit  
\*\* Cut out: create a niche of 502mm x 202mm  
whose minimum height to be reached is 220mm.

# ENERGY LABEL DATA

DOWNDRAFT				Energy efficiency Class	Annual Energy Consumption	Fluid Dynamic Efficiency	Light Efficiency Class	Grease Filtering Efficiency Class	Weighted Sound Power Emission at maximum speed	Air Flow at intensive / boost setting	Lighting
Product name	Dimension	Motor	Model Identifier	EEL	AEChood	FDE	LE	GFE	dB(A)	Qmax	W
SDD2 - L EM 580 X (LED)	580	on-board	D002058PB1280116	B	50,6	A	A	E	69	636	1x6,5
SDD2 - L EM 580 X (LED)	580	SEM1	D002058PB1290116	B	49,4	B	A	E	66	595	1x6,5
SDD2 - L EM 580 X (LED)	580	SEM2	D002058PB1150116	C	87,8	C	A	E	68	577	1x6,5
SDD2 - L EM 580 X (LED)	580	SEM8	D002058PB1170116	C	105,8	C	A	E	70	622	1x6,5
SDD2 - L EM 580 X (LED)	580	SEM10	D002058PB1300116	C	57	C	A	E	67	478	1x6,5
SDD2 - L 880 (LED) X	875	on-board	D002088PB1282415	A	44,5	A	A	E	68	757	1x5
SDD2-EM-L 880 (LED) X	875	SEM1	D002088PB1292415	B	54,5	A	A	E	59	682	1x5
SDD2-EM-L 880 (LED) X	875	SEM2	D002088PB1152415	C	82,9	C	A	E	62	731	1x5
SDD2-EM-L 880 (LED) X	875	SEM7 Ø150	D002088PB1162415	A+	109,2	A	A	F	72	1142	1x5
SDD2-EM-L 880 (LED) X	875	SEM7 Ø200	D002088PB1162415	A+	112,9	A	A	F	74	1328	1x5
SDD2-EM-L 880 (LED) X	875	SEM8	D002088PB1172415	C	102,6	B	A	F	64	753	1x5
SDD2-EM-L 880 (LED) X	875	SEM10	D002088PB1302415	C	54,3	C	A	E	61	530	1x5
SDD2-EM-L 880 (LED) X	875	SEM12	D002088PB1312415	A	59	A	A	E	68	668	1x5
SDD2-L 1200 (LED) X	1175	on-board	D002118PB1282717	A	51,9	A	A	E	68	791	1x9
SDD2-L EM 1200 (LED) X	1175	SEM1	D002118PB1292717	A	49,9	A	A	E	55	736	1x9
SDD2-L EM 1200 (LED) X	1175	SEM2	D002118PB1152717	C	90,7	B	A	E	57	738	1x9
SDD2-L EM 1200 (LED) X	1175	SEM8	D002118PB1172717	B	98,5	B	A	F	60	807	1x9
SDD2-L EM 1200 (LED) X	1175	SEM10	D002118PB1302717	C	58,3	C	A	E	59	559	1x9
SDD2 - L EM 580 TC (LED)	580	on-board	D002058TC1280116	B	50,6	A	A	E	69	636	1x6,5
SDD2 - L EM 580 TC (LED)	580	SEM1	D002058TC1290116	B	49,4	B	A	E	66	595	1x6,5
SDD2 - L EM 580 TC (LED)	580	SEM2	D002058TC1150116	C	87,8	C	A	E	68	577	1x6,5
SDD2 - L EM 580 TC (LED)	580	SEM8	D002058TC1170116	C	105,8	C	A	E	70	622	1x6,5
SDD2 - L EM 580 TC (LED)	580	SEM10	D002058TC1300116	C	57	C	A	E	67	478	1x6,5
SDD2 - L 880 (LED) TC	875	on-board	D002088TC1282415	A	44,5	A	A	E	68	757	1x5
SDD2-EM-L 880 (LED) TC	875	SEM1	D002088TC1292415	B	54,5	A	A	E	59	682	1x5
SDD2-EM-L 880 (LED) TC	875	SEM2	D002088TC1152415	C	82,9	C	A	E	62	731	1x5
SDD2-EM-L 880 (LED) TC	875	SEM7 Ø150	D002088TC1162415	A+	109,2	A	A	F	72	1142	1x5
SDD2-EM-L 880 (LED) TC	875	SEM7 Ø200	D002088TC1162415	A+	112,9	A	A	F	74	1328	1x5
SDD2-EM-L 880 (LED) TC	875	SEM8	D002088TC1172415	C	102,6	B	A	F	64	753	1x5
SDD2-EM-L 880 (LED) TC	875	SEM10	D002088TC1302415	C	54,3	C	A	E	61	530	1x5
SDD2-EM-L 880 (LED) TC	875	SEM12	D002088TC1312415	A	59	A	A	E	68	668	1x5
SDD2-L 1200 (LED) TC	1175	on-board	D002118TC1282717	A	51,9	A	A	E	68	791	1x9
SDD2-L EM 1200 (LED) TC	1175	SEM1	D002118TC1292717	A	49,9	A	A	E	55	736	1x9
SDD2-L EM 1200 (LED) TC	1175	SEM2	D002118TC1152717	C	90,7	B	A	E	57	738	1x9
SDD2-L EM 1200 (LED) TC	1175	SEM8	D002118TC1172717	B	98,5	B	A	F	60	807	1x9
SDD2-L EM 1200 (LED) TC	1175	SEM10	D002118TC1302717	C	58,3	C	A	E	59	559	1x9
STONE	835	on-board	D002088PB1282415	A	44,5	A	A	E	68	757	1x5
STONE EM	835	SEM1	D002088PB1292415	B	54,5	A	A	E	59	682	1x5
STONE EM	835	SEM2	D002088PB1152415	C	82,9	C	A	E	62	731	1x5
STONE EM	835	SEM8	D002088PB1172415	C	102,6	B	A	F	64	753	1x5
STONE EM	835	SEM10	D002088PB1302415	C	54,3	C	A	E	61	530	1x5
STONE EM	835	SEM12	D002088PB1312415	A	59	A	A	E	68	668	1x5
STONE	1135	on-board	D002118PB1282717	A	51,9	A	A	E	68	791	1x9
STONE EM	1135	SEM1	D002118PB1292717	A	49,9	A	A	E	55	736	1x9
STONE EM	1135	SEM2	D002118PB1152717	C	90,7	B	A	E	57	738	1x9
STONE EM	1135	SEM8	D002118PB1172717	B	98,5	B	A	F	60	807	1x9
STONE EM	1135	SEM10	D002118PB1302717	C	58,3	C	A	E	59	559	1x9
S-DD11 X	810	on-board	D011088PB1282219	B	59,6	B	F	E	68	681	2x3,9
S-DD11 EM X	810	SEM1	D011088PB1292219	B	55,4	B	F	E	59	633	2x3,9
S-DD11 EM X	810	SEM2	D011088PB1152219	C	80,2	C	F	E	62	639	2x3,9
S-DD11 EM X	810	SEM10	D011088PB1302219	C	57,9	C	F	E	70	478	2x3,9
S-DD11 EM X	810	SEM12	D011088PB1312219	C	79,7	C	F	E	71	576	2x3,9
S-DD13	880	on-board	D013088TC1283163	A	50,8	A	C	C	68	690	1x9,5
S-DD13 EM	880	SEM1	D013088TC1293163	A	48,7	A	C	C	59	660	1x9,5
S-DD13 EM	880	SEM2	D013088TC1153163	B	75,2	B	C	C	62	665	1x9,5
S-DD13 EM	880	SEM8	D013088TC1173163	C	109,4	C	C	C	64	775	1x9,5
S-DD13 EM	880	SEM10	D013088TC1303163	C	65,7	D	C	C	61	525	1x9,5
S-DD16 EM	845	SEM1	D016085TC129XX61	A	47,5	B	n/a	C	66	600	n/a
S-DD16 EM	845	SEM2	D016085TC115XX61	B	73,6	C	n/a	D	68	582	n/a
S-DD16 EM	845	SEM10	D016085TC130XX61	B	52,1	C	n/a	C	70	484	n/a
S-DD16 EM	845	SEM12	D016085TC131XX61	B	73,6	C	n/a	C	71	577	n/a
S-DD18	880	on-board	D018088TC1282472	A	50,7	A	A	E	67	730	1x5
S-DD18 EM	880	SEM1	D018088TC1292472	A	46,8	A	A	E	61	665	1x5
S-DD18 EM	880	SEM2	D018088TC1152472	C	81,6	C	A	E	63	682	1x5
S-DD18 EM	880	SEM8	D018088TC1172472	B	93,9	B	A	F	66	787	1x5
S-DD18 EM	880	SEM10	D018088TC1302472	B	51,7	C	A	E	65	575	1x5
S-DD18 EM	880	SEM12	D018088TC1312472	A	58,7	A	A	E	73	715	1x5
S-DD20 INOX BRHM	520	on-board	D020052TC135XX74	A++	31,5	A	n/a	C	66	680	n/a
S-DD20 GLASS BRHM	520	on-board	D020052TC135XX74	A++	31,5	A	n/a	C	66	680	n/a



CEILING

CEILING				Energy efficiency Class	Annual Energy Consumption	Fluid Dynamic Efficiency	Light Efficiency Class	Grease Filtering Efficiency Class	Weighted Sound Power Emission at maximum speed	Air Flow at intensive / boost setting	Lighting
Product name	Dimension	Motor	Model Identifier	EEl	AEchood	FDE	LE	GFE	dB(A)	Qmax	W
SLT958 h200	440x900	on-board	C958090RC1244073	B	54,9	C	B	F	63	600	2x3,75
SLT958 h200 BRHM	440x900	on-board	C958090RC1374073	A++	26	A	B	B	71	720	2x3,75
SLT958 EM	440x900	SEM1	C958090RC1294037	B	59,1	B	B	F	55	670	2x3,75
SLT958 EM	440x900	SEM2	C958090RC1154037	B	69,4	A	B	F	59	790	2x3,75
SLT970	600x1000	on-board	C970100RC1243637	B	53,7	C	B	F	63	600	3x2,5
SLT970 BRHM	600x1000	on-board	C970100RC1373637	A++	26	A	B	B	71	720	3x2,5
SLT970 EM	600x1000	SEM1	C970100RC1293643	B	54,8	A	B	F	61	665	3x2,5
SLT970 EM	600x1000	SEM2	C970100RC1153643	C	84	C	B	F	65	693	3x2,5
SLT971	550x900	on-board	C971090RC1244143	B	52,6	C	A	F	63	600	1X6
SLT971 BRHM	550x900	on-board	C971090RC1374143	A++	24,9	A	A	B	71	720	1X6
SLT971 EM	550x900	SEM1	C971090RC1294143	B	53,7	A	A	F	61	665	1X6
SLT971 EM	550x900	SEM2	C971090RC1154143	C	82,9	C	A	F	65	693	1X6
SLT971	650x1200	on-board	C971120RC1244037	B	53,7	C	B	F	64	610	2x3,75
SLT971 BRHM	650x1200	on-board	C971120RC1374037	A++	26	A	B	B	71	720	2x3,75
SLT971 EM	650x1200	SEM1	C971120RC1294037	B	54,8	A	B	F	61	675	2x3,75
SLT971 EM	650x1200	SEM2	C971120RC1154037	C	84	C	B	F	65	703	2x3,75
SLT 972 4V APP	550x900	on-board	C972090RA1243773	B	49,3	B	A	F	65	593	1X7
SLT 972 BRHM APP	550x900	on-board	C972090RA1373773	A++	25,6	A	A	B	71	720	1X7
SLT 972 EM APP	550x900	SEM1	C972090RA1293773	A	48,7	A	A	F	61	665	1X7
SLT 972 EM APP	550x900	SEM2	C972090RA1153773	B	75,4	B	A	F	60	643	1X7
SLT 973 4V APP	550x900	on-board	C973075RA1245333	B	53	B	E	F	62	540	1X10,5
SLT 973 BRHM APP	550x900	on-board	C973075RA1375333	A+	30,1	A	E	B	67	700	1X10,5
SLT 973 EM APP	550x900	SEM1	C973075RA1295333	A	51,7	A	E	F	69	652	1X10,5
SLT 973 EM APP	550x900	SEM2	C973075RA1155333	C	92,1	C	E	F	70	630	1X10,5
SLT 973 4V LIGHT APP	550x900	on-board	C973075RA1245333	B	53	B	E	F	62	540	1X10,5
SLT 973 BRHM LIGHT APP	550x900	on-board	C973075RA1375333	A+	30,1	A	E	B	67	700	1X10,5
SLT 973 EM LIGHT APP	550x900	SEM1	C973075RA1295333	A	51,7	A	E	F	69	652	1X10,5
SLT 973 EM LIGHT APP	550x900	SEM2	C973075RA1155333	C	92,1	C	E	F	70	630	1X10,5
SLT 974 4V APP	500x850	on-board	C974085RC1243773	B	49,3	B	A	F	65	593	1X7
SLT 974 BRHM APP	500x850	on-board	C974085RA1373773	A++	25,6	A	A	B	71	720	1X7
SLT 974 EM APP	500x850	SEM1	C974085RA1293773	A	48,7	A	A	F	61	665	1X7
SLT 974 EM APP	500x850	SEM2	C974085RC1153773	B	75,4	B	A	F	60	643	1X7
SLT 975 E.L.A. 4V	500x900	on-board	C975090RC1243573	B	54,9	C	A	F	63	600	2x3,75
SLT 975 E.L.A. BRHM	500x900	on-board	C975090RC1373573	A++	26	A	A	B	71	720	2x3,75
SLT 975 E.L.A. EM	500x900	SEM1	C975090RC1294073	B	59,1	B	A	F	61	665	2x3,75
SLT 975 E.L.A. EM	500x900	SEM2	C975090RC1254073	B	75,7	B	A	F	60	643	2x3,75
SLT 975 E.L.A. 4V	650x1200	on-board	C975120RC1244173	B	58,2	C	A	F	63	610	2x6
SLT 975 E.L.A. BRHM	650x1200	on-board	C975120RC1374173	A++	29,3	A	A	B	71	720	2x6
SLT 975 E.L.A. EM	650x1200	SEM1	C975120RC1294173	B	52,4	A	A	F	61	665	2x6
SLT 975 E.L.A. EM	650x1200	SEM2	C975120RC1254173	B	79	B	A	F	60	643	2x6
SLT 976 E.L.A. 4V APP	440x930	on-board	C976093RA1244681	B	51,9	B	A	E	64	580	2x1,4
SLT 976 E.L.A. BRHM APP	440x930	on-board	C976093RA1374681	A++	29,1	A	A	B	66	735	2x1,4
SLT 976 E.L.A. EM APP	440x930	SEM1	C976093RA1294681	A	47,8	A	A	E	68	685	2x1,4
SLT 976 E.L.A. EM APP	440x930	SEM2	C976093RA1154681	B	79,4	C	A	E	70	700	2x1,4
SLT 977 4V APP	440x930	on-board	C977093RA1245481	B	51,9	B	A	E	64	580	1X3
SLT 977 BRHM APP	440x930	on-board	C977093RA1375481	A++	29,1	A	A	B	66	735	1X3
SLT 977 EM APP	440x930	SEM1	C977093RA1295481	A	47,8	A	A	E	68	685	1X3
SLT 977 EM APP	440x930	SEM2	C977093RA1155481	B	79,4	C	A	E	70	700	1X3
SLT 978 4V APP	440x930	on-board	C978093RA1245281	B	57,3	B	D	E	64	580	1x10,5
SLT 978 BRHM APP	440x930	on-board	C978093RA1375281	A+	34,6	A	D	B	66	735	1x10,5
SLT 978 EM APP	440x930	SEM1	C978093RA1295281	A	53,3	A	D	E	68	685	1x10,5
SLT 978 EM APP	440x930	SEM2	C978093RA1155281	C	84,8	C	D	E	70	700	1x10,5
SLT 978 LIGHT 4V APP	440x930	on-board	C978093RA1245281	B	57,3	B	D	E	64	580	1x10,5
SLT 978 LIGHT BRHM APP	440x930	on-board	C978093RA1375281	A+	34,6	A	D	B	66	735	1x10,5
SLT 978 LIGHT EM APP	440x930	SEM1	C978093RA1295281	A	53,3	A	D	E	68	685	1x10,5
SLT 978 LIGHT EM APP	440x930	SEM2	C978093RA1155281	C	84,8	C	D	E	70	700	1x10,5
SLT 979 E.L.A. 4V APP	680x1080	on-board	C979108RA1244860	B	52,6	B	B	E	63	600	2X5
SLT 979 E.L.A. BRHM APP	680x1080	on-board	C979108RA1374860	A+	35,5	A	B	B	71	735	2X5
SLT 979 E.L.A. EM APP	680x1080	SEM1	C979108RA1294860	A	56,2	A	B	E	65	695	2X5
SLT 979 E.L.A. EM APP	680x1080	SEM2	C979108RA1154860	B	79,6	B	B	E	71	754	2X5
SLT 980 E.L.A. 4V	520x900	on-board	C980093RC1245181	B	57,3	B	D	E	64	580	1x10,5
SLT 980 E.L.A. BRHM	520x900	on-board	C980090RC1375181	A+	34,8	A	D	B	66	745	1x10,5
SLT 980 E.L.A. EM	520x900	SEM1	C980093RC1295181	A	53,3	A	D	E	68	685	1x10,5
SLT 980 E.L.A. EM	520x900	SEM2	C980093RC1155181	C	84,8	C	D	E	70	700	1x10,5

DECORATIVE ISLANDS				Energy efficiency Class	Annual Energy Consumption	Fluid Dynamic Efficiency	Light Efficiency Class	Grease Filtering Efficiency Class	Weighted Sound Power Emission at maximum speed	Air Flow at intensive / boost setting	Lighting
Product name	Dimension	Motor	Model Identifier	EEl	AEchood	FDE	LE	GFE	dB(A)	Qmax	W
SIL24 X	900	on-board	I024090PB1284437	A	45,3	A	B	A	70	730	2x3,75
SIL24 X	1200	on-board	I024120PB1284437	A	45,3	A	B	A	70	730	2x3,75
SIL24 TC	900	on-board	I024090TC1284437	A	45,3	A	B	A	70	730	2x3,75
SILTC36	1200	on-board	I036120TA1284143	A	48,2	A	B	A	71	700	2x6
MO404		on-board	I404036RC1282604	A	44,3	A	A	D	71	730	1x4
MO405		on-board	I405040RC1282604	A	44,3	A	A	D	71	730	1x4

WALL HOODS				Energy efficiency Class	Annual Energy Consumption	Fluid Dynamic Efficiency	Light Efficiency Class	Grease Filtering Efficiency Class	Weighted Sound Power Emission at maximum speed	Air Flow at intensive / boost setting	Lighting
Product name	Dimension (mm)	Motor	Model Identifier	EEl	AEchood	FDE	LE	GFE	dB(A)	Qmax	W
SL 31	600	on-board	P031060PB1284937	A	42,3	A	A	A	72	719	2x2,1
SL 31	900	on-board	P031090PB1284937	A	44,6	A	A	A	72	720	2x2,1
SL 31	1200	on-board	P031120PB1284937	A	44,6	A	A	A	72	720	2x2,1
SL 89	550	on-board	P089055PB1280542	A	44,4	A	A	E	69	748	2x2,1
SL 89	800	on-board	P089080PB1280542	A	45,4	A	A	E	69	750	2x2,1
SLTC 90	550	on-board	P090055SL1020113	A	46,0	A	B	C	69	748	1x6,5
SLTC 91	800	on-board	P091080SL1020122	A	47,1	A	B	D	69	750	1x6,5
SLTC 92	900	on-board	P092090TC1284037	A	45,3	A	B	A	72	730	2x3,75
SL 92	600	on-board	P092060PB1284037	A	45,3	A	B	A	72	730	2x3,75
SL 92	900	on-board	P092090PB1284037	A	45,3	A	B	A	72	730	2x3,75
SLTC 93	600	on-board	P093060TC1284022	A	44,1	A	A	C	65	748	1x3,75
SLTC 93	800	on-board	P093080TC1284022	A	45,1	A	A	C	69	750	1x3,75
SLTC 97	600	on-board	P097060TC1284075	A	44,8	A	A	A	69	720	1x3,75
SLTC 97	900	on-board	P097090TC1284002	A+	41,9	A	B	A	72	773	2x3,75
SL 107	900	on-board	P107090PB1280144	A+	39,5	A	B	A	67	782	2x3,75
SLTC 107	900	on-board	P107090TC1284044	A+	39,5	A	B	A	67	782	2x3,75
SL 109	900	on-board	P109090PB1034044	A	52,2	A	A	A	63	750	2x3,75
SL 109	1200	2 Mot on-board	P109120PB2034045	B	119,8	B	A	A	75	1453	2x3,75
SLTC 111	800	on-board	P111080TC1364422	A	48,0	A	A	C	64	610	1x3,75
SLTC 114	550	on-board	P114055TC1364422	A	48,0	A	A	C	64	610	1x3,75
SLTC 114	850	on-board	P114085TC1364422	A	48,0	A	A	C	64	610	1x3,75
SLTC 116	600	on-board	P116060PB1364422	A	48,0	A	A	C	64	610	1x3,75
SLTC 119	800	on-board	P119080TC1284022	A	45,1	A	A	C	69	750	1x3,75
SLTC 120	900	on-board	P120090TV1284404	A+	38,8	A	A	C	68	765	1x3,75
SLTC 121	900	on-board	P121090TA1284457	A	40,1	A	A	C	68	675	1x3,75
MO207		on-board	P207040RC1282604	A	44,3	A	A	D	71	730	1x4
MO208		on-board	P208036RC1282604	A	44,3	A	A	D	71	730	1x4

BUILT-IN PRODUCTS				Energy efficiency Class	Annual Energy Consumption	Fluid Dynamic Efficiency	Light Efficiency Class	Grease Filtering Efficiency Class	Weighted Sound Power Emission at maximum speed	Air Flow at intensive / boost setting	Lighting
Product name	Dimension	Motor	Model identifier	EEL	AEEhood	FDE	LE	GFE	dB(A)	Qmax	W
SM 900	520	on-board	G900052PB1010657	B	58,1	B	A	B	70	604	2x2,1
SM 900	700	on-board	G900070PB1010657	B	54,9	B	A	B	70	654	2x2,1
SL 900	520	on-board	G900052PB1280657	A	46,6	A	A	B	70	762	2x2,1
SL 900	700	on-board	G900070PB1280657	A	46,9	A	A	B	70	773	2x2,1
SL 903-P	700	on-board	G903070PB1280541	A	55,2	A	A	B	69	700	4x2,1
SL 903-P-EM	700	SEM1	G903070PB1290541	B	58,1	B	A	B	65	630	4x2,1
SL 903-P-EM	700	SEM2	G903070PB1150541	C	80,2	C	A	B	66	630	4x2,1
SL 903-P	900	on-board	G903090PB1280541	A	50,9	A	A	B	69	705	4x2,1
SL 903-P-EM	900	SEM1	G903090PB1290541	B	58,5	B	A	B	65	624	4x2,1
SL 903-P-EM	900	SEM2	G903090PB1150541	C	81,1	C	A	B	66	632	4x2,1
SM 905	520	on-board	G905052PB1010624	B	58,1	B	A	B	70	604	2x2,1
SM 905	850	on-board	G905085PB1010624	B	54,9	B	A	B	70	654	2x2,1
SL 906	520	on-board	G906052PB1284052	A	44,5	A	A	A	71	680	1X3,75
SL 906	850	on-board	G906085PB1284153	A	45,7	A	A	A	71	743	1x6
SL906	1000	on-board	G906100PB1282749	A	46,8	A	A	A	71	743	2X3,75
SL 907	520	on-board	G907052PB1285559	A	46,5	A	B	B	69	682	1x4
SL 907	700	on-board	G907070PB1285646	A	54,0	A	B	B	69	715	1x11
SL 909	856	on-board	G909086PB1284148	A	44,6	A	A	A	71	757	1X6
SL 909	1400	on-board	G909140PB1284048	A+	43,0	A	A	A	71	768	2X3,75
SL 913	520	on-board	G913052PB1284427	A	56,8	A	A	B	69	668	1X3,75
SL 913	780	on-board	G913078PB1284527	A	48,9	A	A	B	69	721	1x6
SLTC 919	520	on-board	G919T52TC1284466	A	45,8	A	A	A	71	715	1X3,75
SLTC 919	850	on-board	G919T85TC1284567	A	48,5	A	B	A	71	730	1x6
SM 923 -L	520	on-board	G923052PB1013580	A	49,4	A	A	B	70	610	1x6,5
SM 923 -L	850	on-board	G923085PB1013382	A	52,8	A	A	B	70	640	1x10,5
SM 927	520	on-board	G927052PB1013527	B	50,5	B	A	B	70	590	1X6,5
SM 927	850	on-board	G927085PB1013378	B	53,9	B	B	B	70	619	1X10,5
SLTC 928	600	on-board	G928060TC1014066	A	44,0	A	A	B	70	580	1x3,75
SLTC 928	900	on-board	G928090TC1014084	A	40,4	A	A	B	70	660	1X6
SLTC 928	1200	on-board	G928120TC1014166	A	42,0	A	A	B	70	660	2X3,75

VENTED INDUCTION HOBS				Energy efficiency Class	Annual Energy Consumption	Fluid Dynamic Efficiency	Light Efficiency Class	Grease Filtering Efficiency Class	Weighted Sound Power Emission at maximum speed	Air Flow at intensive / boost setting	Lighting
Product name	Dimension	Motor	Model Identifier	EEl	AEchood	FDE	LE	GFE	dB(A)	Qmax	W
S-DDH1	900x510	on-board	D009088TC1282415	A	44,5	A	A	E	68	757	1X5
S-DDH1	900x510	SEM1	D009088TC1292415	B	54,5	A	A	E	59	682	1X5
S-DDH1	900x510	SEM2	D009088TC1152415	C	82,9	C	A	E	62	731	1X5
S-DDH1	900x510	SEM8	D009088TC1172415	C	102,6	B	A	F	64	753	1X5
S-DDH1	900x510	SEM10	D009088TC1302415	C	54,3	C	A	E	61	530	1X5
S-DDH1	900x510	SEM12	D009088TC1312415	A	59	A	A	E	68	668	1X5
S-DDH5 BRHM	900x520	on-board	D005090TC135XXXX	A+	43,3	A	n/a	C	63	645	n/a
S-DDH6 BRHM	780x520	on-board	D006078TC135XX79	A+	43,3	A	n/a	C	63	645	n/a



art direction  
**Giacomo Fava**

The printing process do not always permit  
a faithful reproduction of tones  
and materials of originals.

Sirius S.p.A. reserves the right to change,  
at any time and without prior warning,  
the technical specifications of any product  
illustrated in this catalogue.

This catalogue is of exclusive propriety  
of Sirius spa. All rights are reserved.  
Any form of total or partial reproduction  
of catalogue is strictly forbidden.

Security and respect of the general requirements  
of Directives are the basis for the realization  
of our products. It is a question of quality  
and security, well spread in our company.  
Together with the protection of environment,  
and the health of our employees. Working  
with us with passion, being respectful and  
taking care of our company is like living at home.

**SIRIUS S.p.a.**  
Zona Ind.le Berbentina 6/A  
60041 Sassoferrato (An)  
Tel. +39 0732.97171  
Fax. +39 0732.95493  
  
[www.siriuscappe.com](http://www.siriuscappe.com)



JUNE 2022