

Technical Data - Pressure loss

Ventilation Ductwork

TUBPLA® AIRTIGHT



Ventilation ductwork technology



Index

VENTILATION DUCTWORK DESCRIPTION

TUBPLA® DUCTS

- 01 RECTANGULAR DUCT
- 02 ANTIBACTERIAL & ANTIESTÁTIC RECTANGULAR DUCT
- 03 CIRCULAR DUCT
- 04 FOLDABLE DUCT
- 05 ACOUSTIC ATTENUATOR

TUBPLA® AIRTIGHT COMPONENTS

- 06 RECTANGULAR JOINT
- 07 MIXED CIRCULAR TO RECTANGULAR ADAPTOR
- 08 MIXED CIRCULAR TO RECTANGULAR BEND
- 09 VERTICAL RECTANGULAR 90° BEND
- 10 HORIZONTAL RECTANGULAR 90° BEND
- 11 HORIZONTAL RECTANGULAR 45° BEND
- 12 CIRCULAR JOINT
- 13 CIRCULAR 90° BEND
- 14 CIRCULAR 45° BEND
- 15 RECTANGULAR FLEXIBLE BEND
- 16 CIRCULAR FLEXIBLE BEND
- 17 RECTANGULAR ADAPTOR
- 18 MIXED "T" JOINT
- 19 CIRCULAR "T" JOINT
- 20 RECTANGULAR "T" JOINT

REFERENCES

0501 / T-P 1002 / SU2002

AVAILABLE IN SEPTEMBER 2015

0605 / T-P 1005 / SU2005

PL-0501 / PL-1002

CA55115ES / CA55225ES

0510ES / T-P 1020ES / SU2020ES

0520ES / T-P 1040ES / SU2040ES

0525ES / T-P 1050ES / SU2050ES

0530ES / T-P 1060ES / SU2060ES

0535ES / T-P 1070ES / SU2070ES

0570ES / T-P 1075ES / SU2071ES

0615ES / T-P 1030ES

0670ES / T-P 1500ES

0676ES / T-P 1545ES

CCF-500ES / CCF-1000ES / CCF-900ES

CRF-100ES / CRF-125ES

RP2211ES

T-1ES / T-2ES

TR-100ES / TR-125ES

TT-2ES / TT-3ES / TT-4ES

Technical Sheet

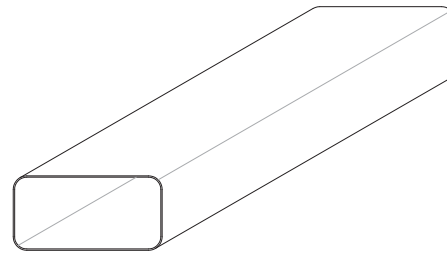
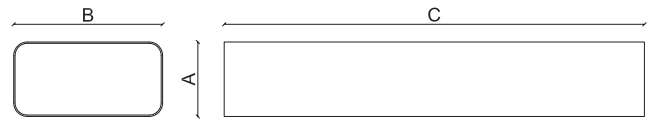
Thermoplastic Ducts

Technical data 0501 / T-P 1002 / SU2002

Rectangular duct of inner smooth surface produced by thermoplastic raw material

CHARACTERISTICS:

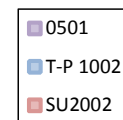
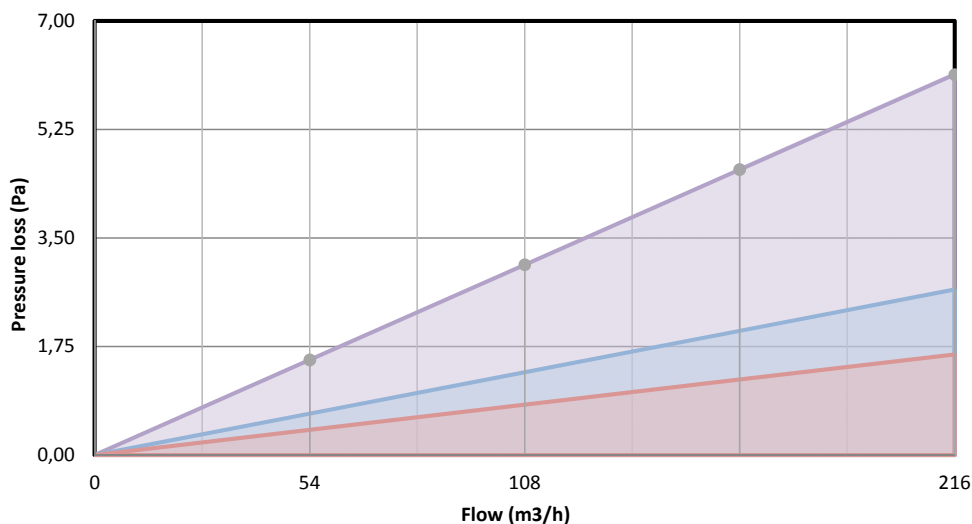
- Fireproof: Self-extinguishing B-S3, d0 according to EN 13501-1:2002
- Maximum temperature: +80°C
- Thermal conductivity 0.0544-0.0662W / (m.k)
- Long-life: more than 20 years of seal's lifetime
- Resistant to UV and to other chemical substances



TECHNICAL SPECIFICATIONS									
Reference	Description	Inside dimensions (mm)			Raw material	Pressure loss (Pa)			
		A	B	C		54 m³/h	108m³/h	216m³/h	
0501	RECTANGULAR DUCT 55x110	55	110	1000/1500/3000	TPC-rigid	1,5	3,1	6,1	
T-P 1002	RECTANGULAR DUCT 55x220	55	220	1000/1500/3000	TPC-rigid	0,7	1,3	2,7	
SU2002	RECTANGULAR DUCT 90x180	90	180	1000/1500/3000	TPC-rigid	0,4	0,8	1,6	

PRODUCT TECHNICAL GRAPHIC

- about pressure loss (Pa) and Flow (m³/h)
- air speed of 4 m/s



Technical Sheet

Thermoplastic Ducts

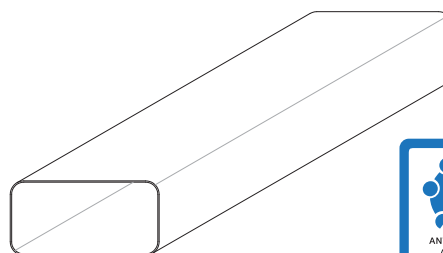
Technical data **Ref. available in September 2015**

Rectangular duct of inner smooth surface produced by thermoplastic raw material **antibacterial and antiestatic.**



CHARACTERISTICS:

- Fireproof: Self-extinguishing B-S3, d0 according to EN 13501-1:2002
- Maximum temperature: +80°C
- Thermal conductivity 0.0544-0.0662W / (m.k)
- Long-life: more than 20 years of seal's lifetime
- Resistant to UV and to other chemical substances

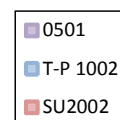
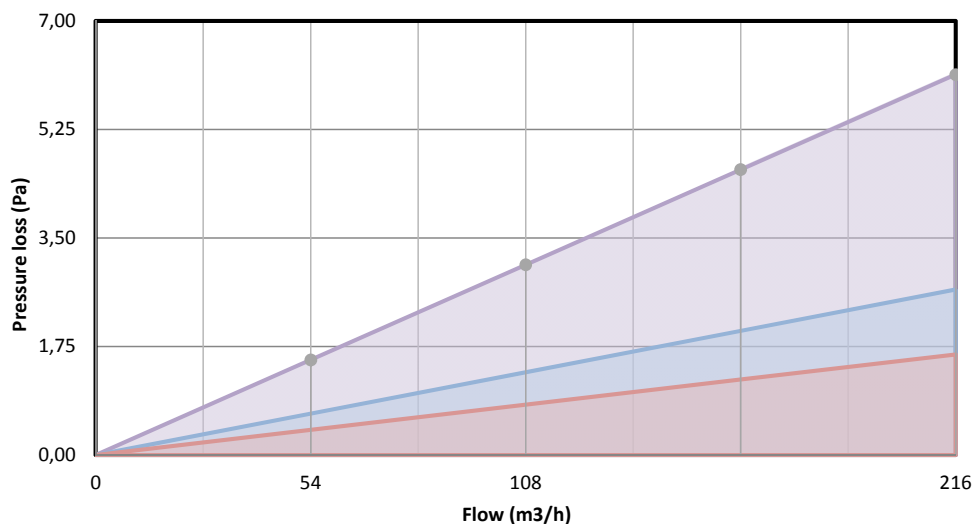


TECHNICAL SPECIFICATIONS

Reference	Description	inside dimensions (mm)			Raw material	Pressure loss (Pa)		
		A	B	C		54 m³/h	108m³/h	216m³/h
N/D	RECTANGULAR DUCT 55x110	55	110	1000/1500/3000	ABS	1,5	3,1	6,1
N/D	RECTANGULAR DUCT 55x220	55	220	1000/1500/3000	ABS	0,7	1,3	2,7
N/D	RECTANGULAR DUCT 90x180	90	180	1000/1500/3000	ABS	0,4	0,8	1,6

PRODUCT TECHNICAL GRAPHIC

- about pressure loss (Pa) and Flow (m³/h)
- air speed of 4 m/s



Technical Sheet

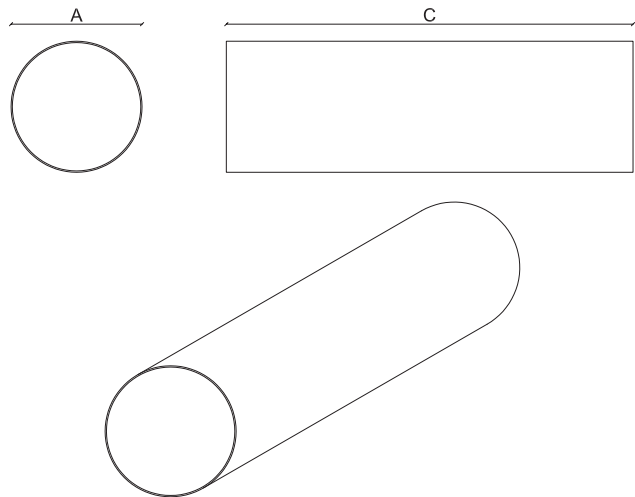
Thermoplastic Ducts

Technical data 0605 / T-P 1005 / SU2005

Circular duct of inner smooth surface produced by thermoplastic raw material.

CHARACTERISTICS:

- Fireproof: Self-extinguishing B-S3, d0 according to EN 13501-1:2002
- Maximum temperature: +80°C
- Thermal conductivity 0.0544-0.0662W / (m.k)
- Long-life: more than 20 years of seal's lifetime
- Resistant to UV and to other chemical substances

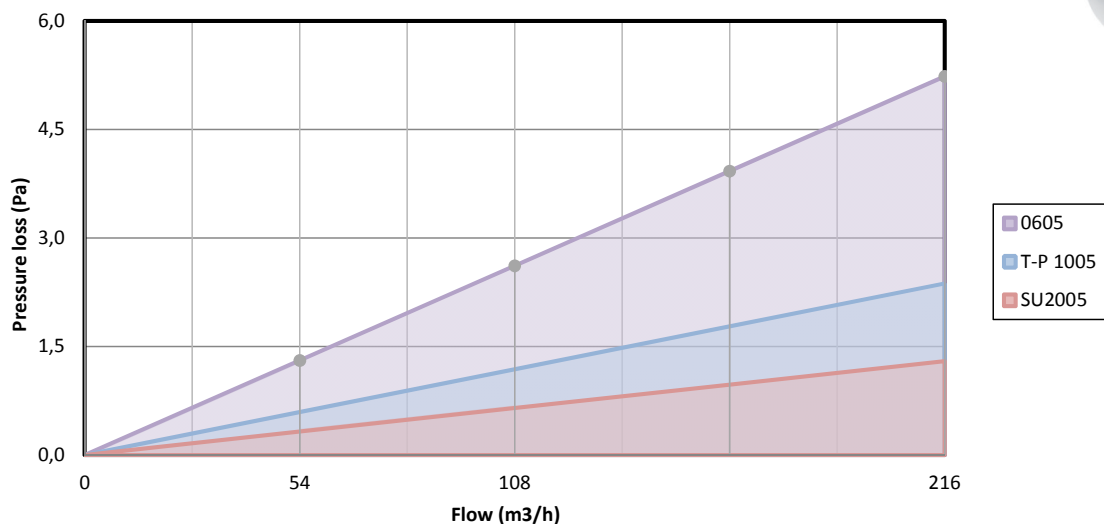
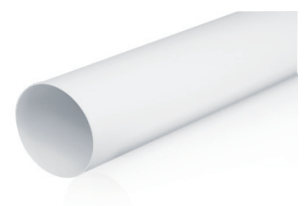


TECHNICAL SPECIFICATIONS

Reference	Description	Inside dimensions (mm)			Raw material	Pressure loss (Pa)		
		A	B	C		54 m³/h	108m³/h	216m³/h
0605	CIRCULAR DUCT Ø 100	Ø 100	0	1000/1500/3000	TPC-rigid	1,3	2,6	5,2
T-P 1005	CIRCULAR DUCT Ø 125	Ø 125	0	1000/1500/3000	TPC-rigid	0,6	1,2	2,4
SU2005	CIRCULAR DUCT Ø 150	Ø 150	0	1000/1500/3000	TPC-rigid	0,3	0,6	1,3

PRODUCT TECHNICAL GRAPHIC

- about pressure loss (Pa) and Flow (m³/h)
- air speed of 4 m/s



Technical Sheet

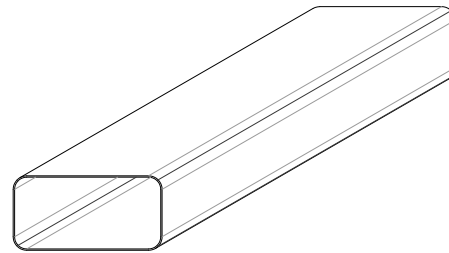
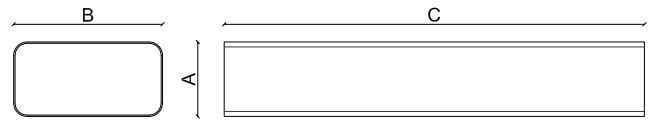
Thermoplastic Ducts

Technical data PL-0501 / PL-1002

Foldable rectangular duct **TUBPLA® PLUS** of inner smooth surface produced by thermoplastic raw material

ADVANTAGES:

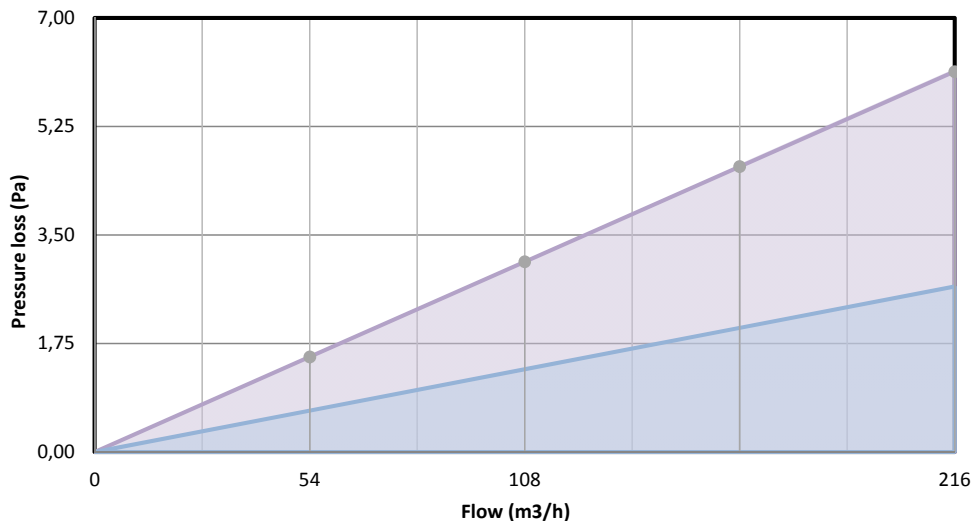
- Saving
 - Transport: 60%
 - Storage: 90%
 - Handling: 50%
- Space optimization by increasing range
- Easy to install due to flexibility of the duct



TECHNICAL SPECIFICATIONS								
Reference	Description	Inside dimensions (mm)			Raw material	Pressure loss (Pa)		
		A	B	C		54 m³/h	108m³/h	216m³/h
PL-0501	FOLDABLE RECTANGULAR DUCT 55X110	55	110	1000/1500/3000	TPC- rigid	1,5	3,1	6,1
PL-1002	FOLDABLE RECTANGULAR DUCT 55X220	55	220	1000/1500/3000	TPC- rigid	0,7	1,3	2,7

PRODUCT TECHNICAL GRAPHIC

- about pressure loss (Pa) and Flow (m³/h)
- air speed of 4 m/s



■ PL-0501
■ PL-1002

Technical Sheet

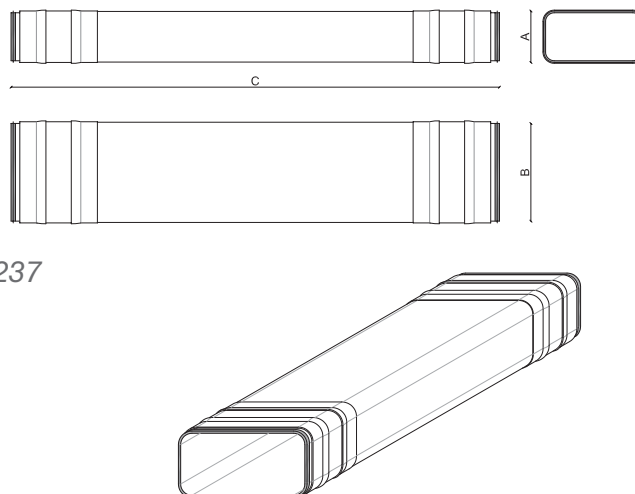
Thermoplastic Ducts

Technical data CA55115ES / CA55225ES

Acoustic attenuator rectangular duct, of inner smooth surface
TUBPLA® AIRTIGHT

CHARACTERISTICS:

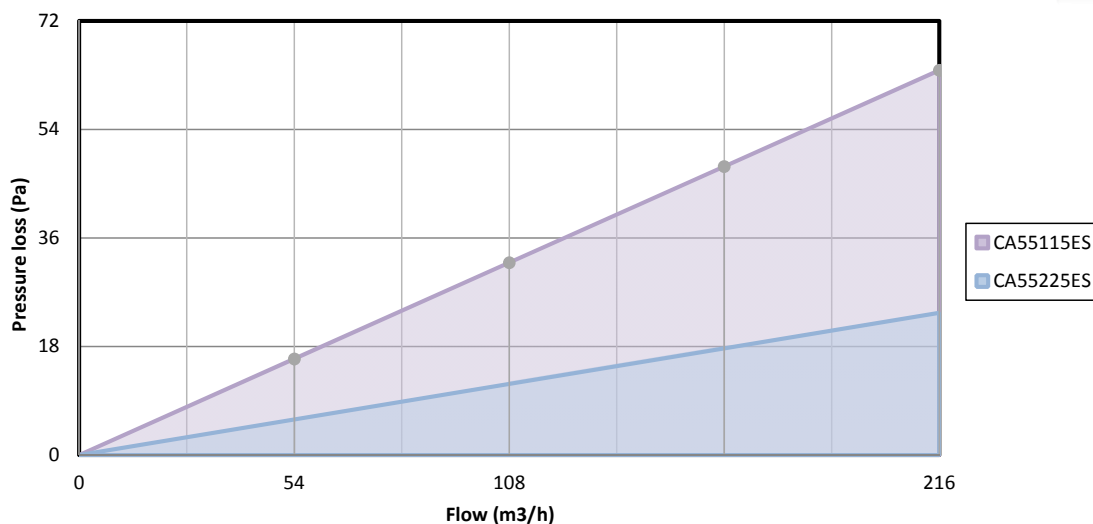
- Mechanical connections
- Modular fitting male-female
- Fixing system trough "AIRTIGHT"
- Extremely air-tight Class D according to EN 12237
- Contributes to fulfilment of EN 15251:2007



TECHNICAL SPECIFICATIONS								
Reference	Description	Inside dimensions (mm)			Raw material	Pressure loss (Pa)		
		A	B	C		54 m³/h	108m³/h	216m³/h
CA55115ES	ACUSTIC ATENUATOR DUCT 55X110	55	110	560	TPC-rigid	16,0	31,9	63,8
CA55225ES	ACUSTIC ATENUATOR DUCT 55X220	55	220	560	TPC-rigid	5,9	11,8	23,6

PRODUCT TECHNICAL GRAPHIC

- about pressure loss (Pa) and Flow (m³/h)
- air speed of 4 m/s



Technical Sheet

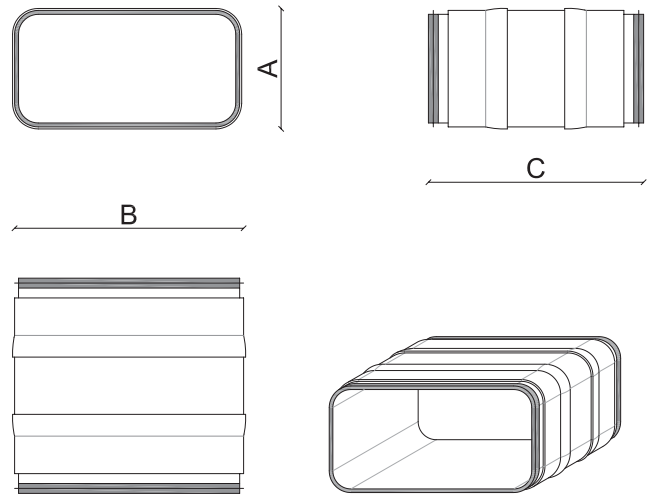
Termoplastic Components

Technical data 0510ES / T-P 1020ES / SU2020ES

Rectangular joint
TUBPLA® AIRTIGHT

CHARACTERISTICS:

- Mechanical connections
- Modular fitting male-female
- Fixing system trough "AIRTIGHT"
- Extremely air-tight Class D according to EN 12237

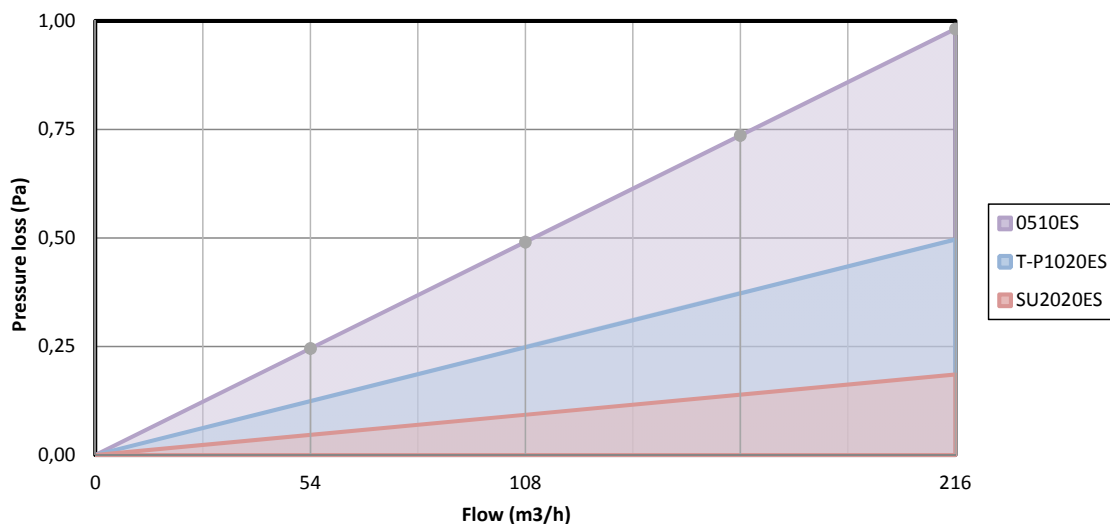


TECHNICAL SPECIFICATIONS

Reference	Description	Inside dimensions (mm)			Raw material	Pressure loss (Pa)		
		A	B	C		54 m³/h	108m³/h	216m³/h
0510ES	RECTANGULAR JOINT 55X110	55	110	109	PS	0,2	0,5	1,0
T-P1020ES	RECTANGULAR JOINT 55X220	55	220	120	PS	0,1	0,2	0,5
SU2020ES	RECTANGULAR JOINT 90X180	90	180	112	PP	0,0	0,1	0,2

PRODUCT TECHNICAL GRAPHIC

- about pressure loss (Pa) and Flow (m³/h)
- air speed of 4 m/s



Technical Sheet

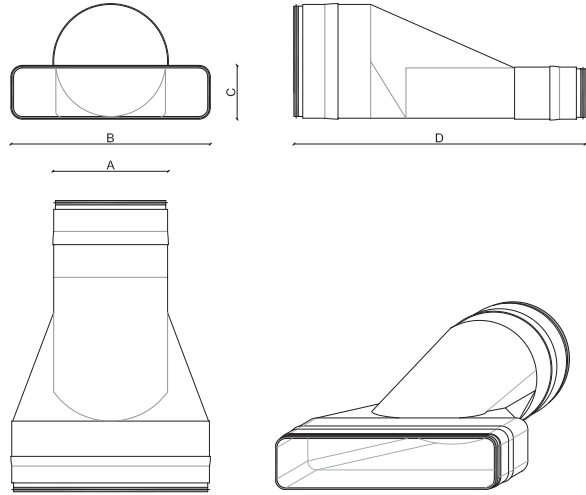
Thermoplastic Components

Technical data 0520ES / T-P 1040ES / SU2040ES

Mixed circular to rectangular adaptor
TUBPLA® AIRTIGHT

CHARACTERISTICS:

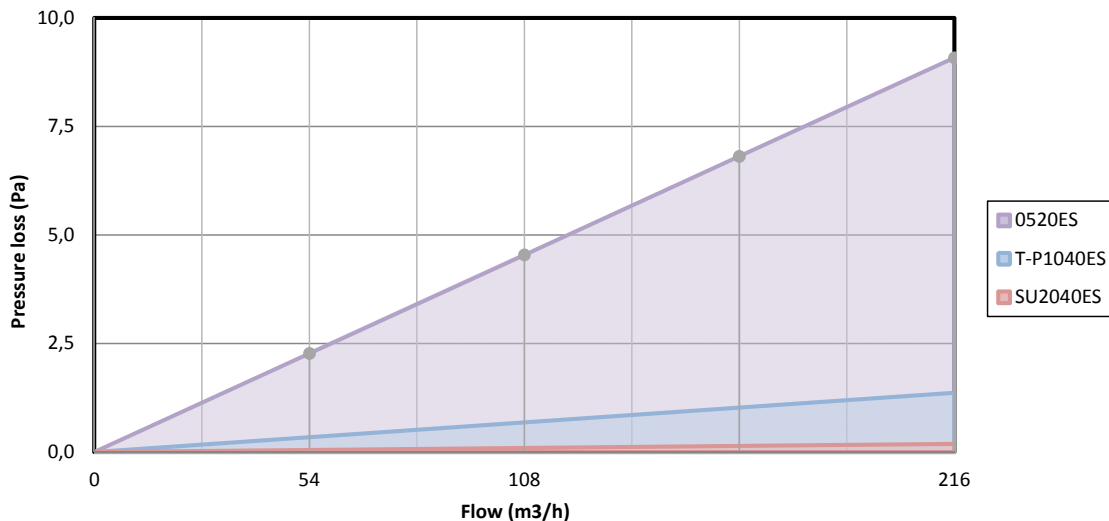
- Mechanical connections
- Modular fitting male-female
- Fixing system trough "AIRTIGHT"
- Extremely air-tight Class D according to EN 12237



TECHNICAL SPECIFICATIONS									
Reference	Description	Inside dimensions (mm)				Raw material	Pressure loss (Pa)		
		A	B	C	D		54 m³/h	108m³/h	216m³/h
0520ES	MIXED ADAPTOR 110x55 - Ø100	100	110	55	210	PS	2,3	4,5	9,1
T-P1040ES	MIXED ADAPTOR 220x55 - Ø125	125	220	55	328	PS	0,3	0,7	1,4
SU2040ES	MIXED ADAPTOR 180x90 - Ø150	150	180	90	210	PS	0,0	0,1	0,2

PRODUCT TECHNICAL GRAPHIC

- about pressure loss (Pa) and Flow (m³/h)
- air speed of 4 m/s



Technical Sheet

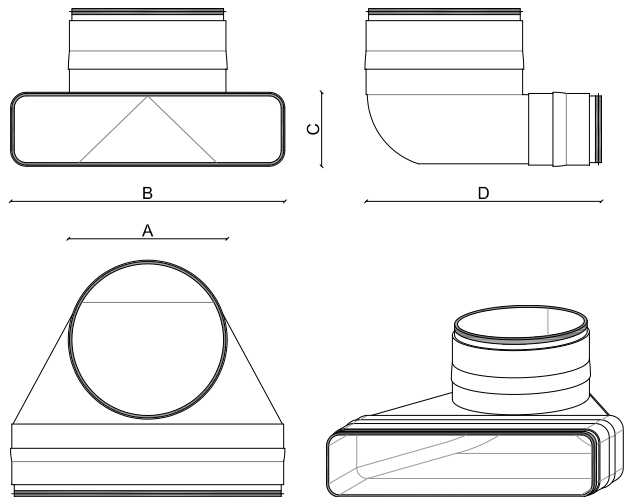
Thermoplastic Components

Technical data 0525ES / T-P 1050ES / SU2050ES

Mixed circular to rectangular 90° bend
TUBPLA® AIRTIGHT

CHARACTERISTICS:

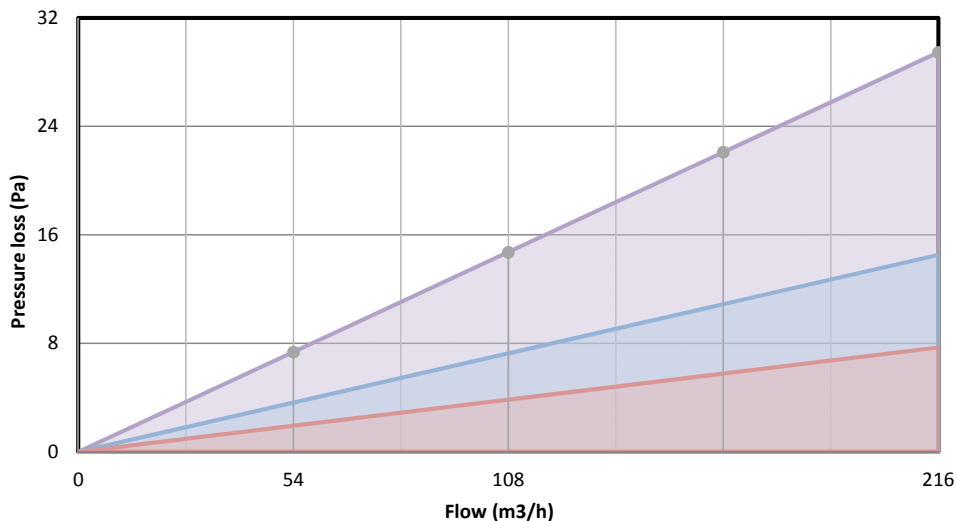
- Mechanical connections
- Modular fitting male-female
- Fixing system trough "AIRTIGHT"
- Extremely air-tight Class D according to EN 12237



TECHNICAL SPECIFICATIONS									
Reference	Description	Inside dimensions (mm)				Raw material	Pressure loss (Pa)		
		A	B	C	D		54 m³/h	108m³/h	216m³/h
0525ES	MIXED BEND 90° 110x55 - Ø100	100	110	55	165	PP	7,4	14,7	29,5
T-P1050ES	MIXED BEND 90° 220x55 - Ø125	125	220	55	195	PS	3,6	7,3	14,5
SU2050ES	MIXED BEND 90°180x90 - Ø150	150	180	90	212	PP	1,9	3,8	7,7

PRODUCT TECHNICAL GRAPHIC

- about pressure loss (Pa) and Flow (m³/h)
- air speed of 4 m/s



Technical Sheet

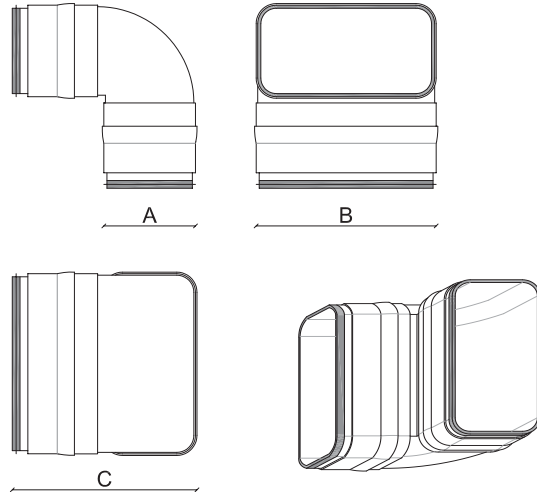
Thermoplastic Components

Technical data 0530ES / T-P 1060ES / SU2060ES

Vertical rectangular 90° bend
TUBPLA® AIRTIGHT

CHARACTERISTICS:

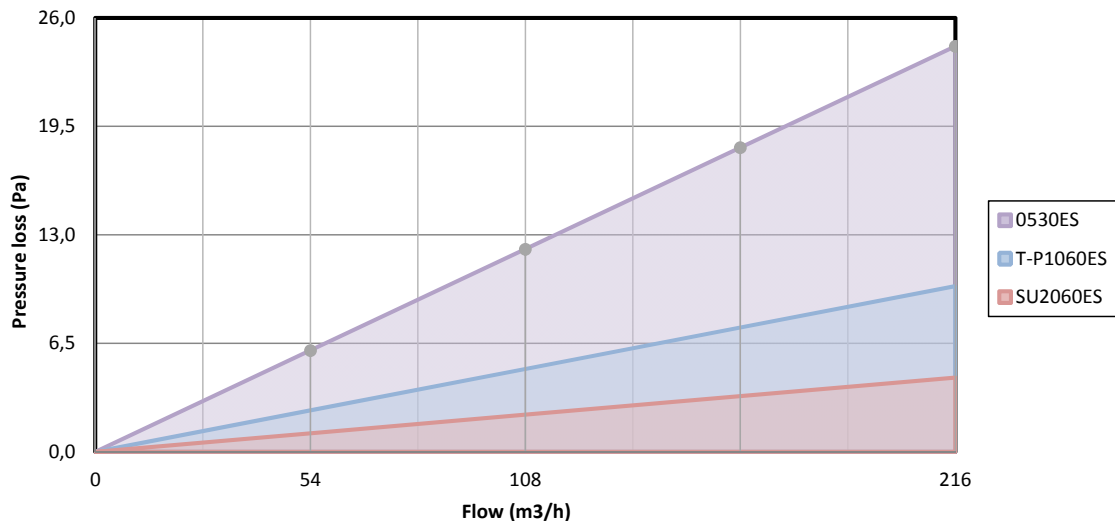
- Mechanical connections
- Modular fitting male-female
- Fixing system trough "AIRTIGHT"
- Extremely air-tight Class D according to EN 12237



TECHNICAL SPECIFICATIONS								
Reference	Description	Inside dimensions (mm)			Raw material	Pressure loss (Pa)		
		A	B	C		54 m³/h	108m³/h	216m³/h
0530ES	VERTICAL RECTANGULAR 90° BEND	55	110	120	PP	6,1	12,2	24,3
T-P1060ES	VERTICAL RECTANGULAR 90° BEND	55	220	165	PS	2,5	5,0	9,9
SU2060ES	VERTICAL RECTANGULAR 90° BEND	90	180	160	PP	1,1	2,2	4,4

PRODUCT TECHNICAL GRAPHIC

- about pressure loss (Pa) and Flow (m³/h)
- air speed of 4 m/s



Technical Sheet

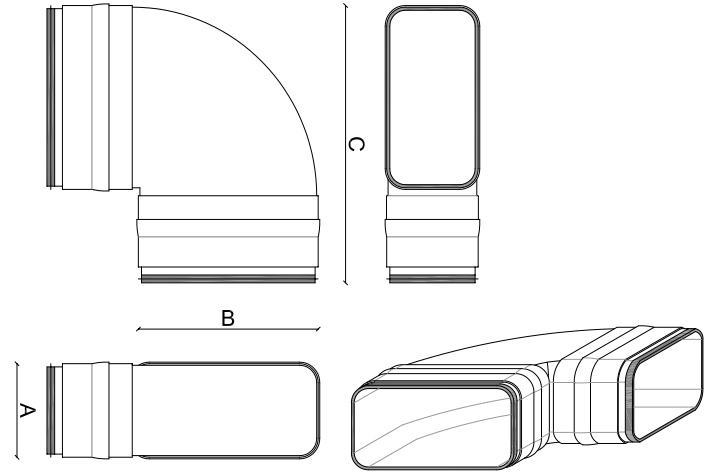
Thermoplastic Components

Technical data 0535ES / T-P 1070ES / SU2070ES

Horizontal rectangular 90° bend
TUBPLA® AIRTIGHT

CHARACTERISTICS:

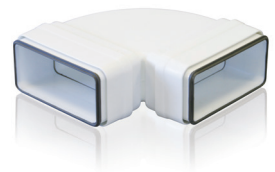
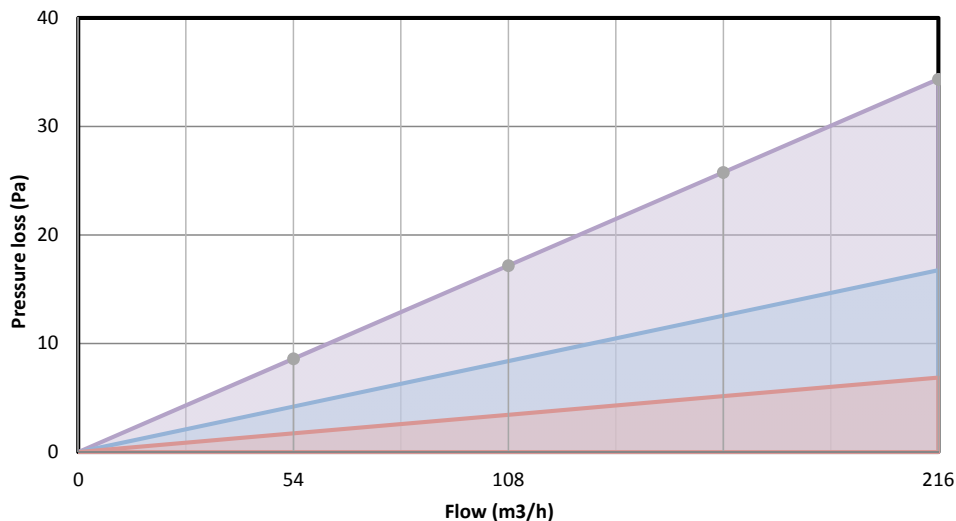
- Mechanical connections
- Modular fitting male-female
- Fixing system trough "AIRTIGHT"
- Extremely air-tight Class D according to EN 12237



TECHNICAL SPECIFICATIONS								
Reference	Description	Inside dimensions (mm)			Raw material	Pressure loss (Pa)		
		A	B	C		54 m³/h	108m³/h	216m³/h
0535ES	HORIZONTAL RECTANGULAR 90° BEND	55	110	170	PP	8,6	17,2	34,4
T-P1070ES	HORIZONTAL RECTANGULAR 90° BEND	55	220	310	PS	4,2	8,4	16,8
SU2070ES	HORIZONTAL RECTANGULAR 90° BEND	90	180	225	PP	1,7	3,4	6,9

PRODUCT TECHNICAL GRAPHIC

- about pressure loss (Pa) and Flow (m³/h)
- air speed of 4 m/s



Technical Sheet

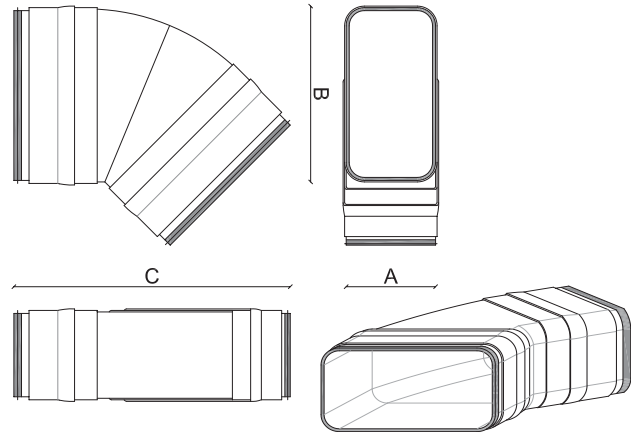
Thermoplastic Components

Technical data 0570ES / T-P 1075ES / SU2071ES

Horizontal rectangular 45° bend
TUBPLA® AIRTIGHT

CHARACTERISTICS:

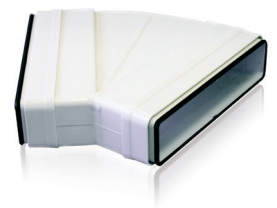
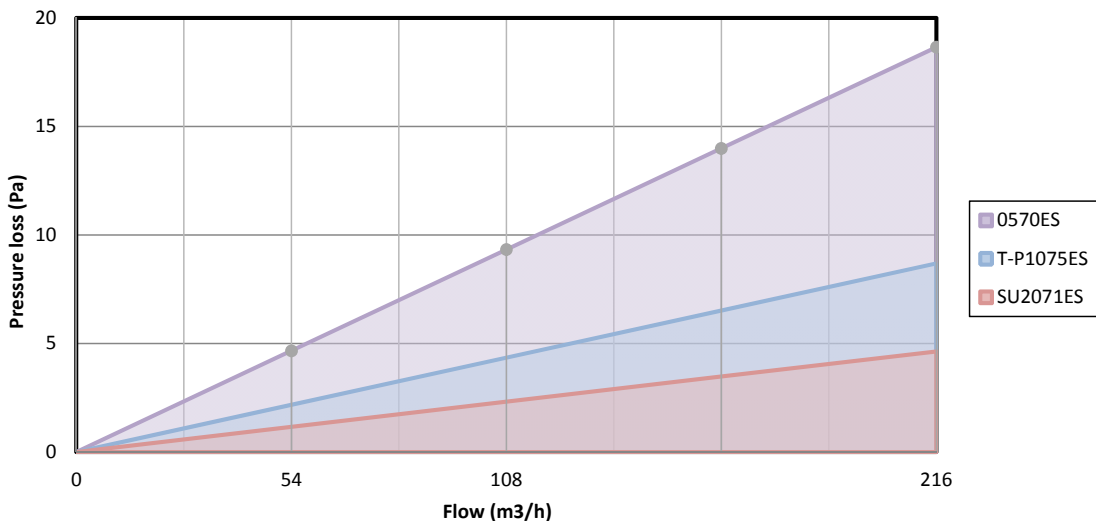
- Mechanical connections
- Modular fitting male-female
- Fixing system trough "AIRTIGHT"
- Extremely air-tight Class D according to EN 12237



TECHNICAL SPECIFICATIONS								
Reference	Description	Inside dimensions (mm)			Raw material	Pressure loss (Pa)		
		A	B	C		54 m³/h	108m³/h	216m³/h
0570ES	HORIZONTAL RECTANGULAR 45° BEND	55	110	188	PP	4,7	9,3	18,7
T-P1075ES	HORIZONTAL RECTANGULAR 45° BEND	55	220	295	PS	2,2	4,3	8,7
SU2071ES	HORIZONTAL RECTANGULAR 45° BEND	90	180	218	PP	1,2	2,3	4,6

PRODUCT TECHNICAL GRAPHIC

- about pressure loss (Pa) and Flow (m³/h)
- air speed of 4 m/s



Technical Sheet

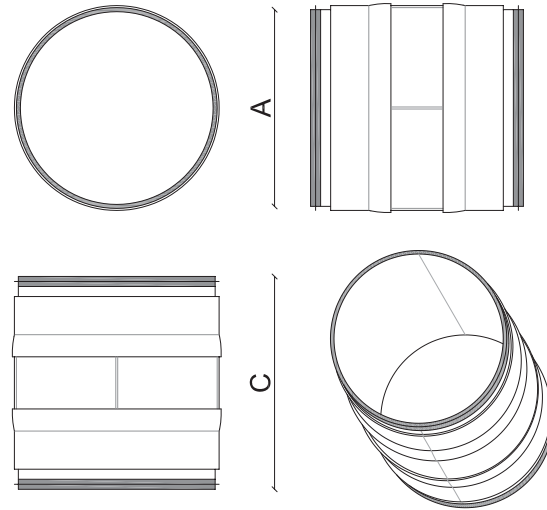
Thermoplastic Components

Technical data 0615ES/ T-P 1030ES

Circular joint
TUBPLA® AIRTIGHT

CHARACTERISTICS:

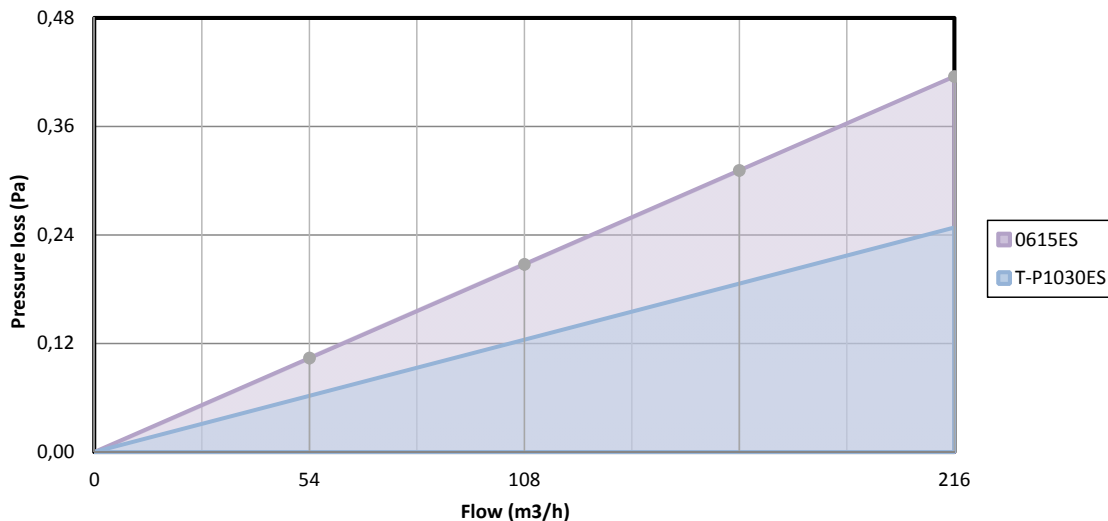
- Mechanical connections
- Modular fitting male-female
- Fixing system trough "AIRTIGHT"
- Extremely air-tight Class D according to EN 12237



TECHNICAL SPECIFICATIONS								
Reference	Description	Inside dimensions (mm)			Raw material	Pressure loss (Pa)		
		A	B	C		54 m³/h	108m³/h	216m³/h
0615ES	CIRCULAR JOINT Ø100	Ø100	0	106	PP	0,1	0,2	0,4
T-P1030ES	CIRCULAR JOINT Ø125	Ø125	0	135	PS	0,1	0,1	0,2

PRODUCT TECHNICAL GRAPHIC

- about pressure loss (Pa) and Flow (m³/h)
- air speed of 4 m/s



Technical Sheet

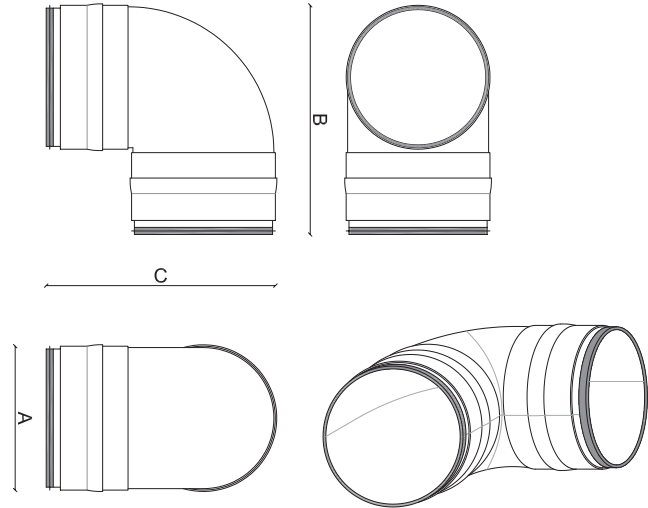
Thermoplastic Components

Technical data 0670ES/ T-P 1500ES

Circular 90° bend
TUBPLA® AIRTIGHT

CHARACTERISTICS:

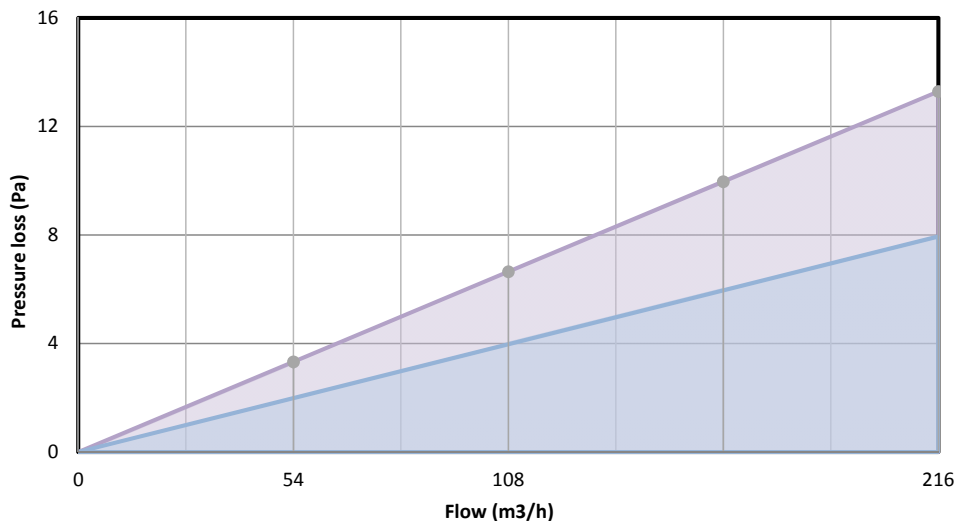
- Mechanical connections
- Modular fitting male-female
- Fixing system trough "AIRTIGHT"
- Extremely air-tight Class D according to EN 12237



TECHNICAL SPECIFICATIONS								
Reference	Description	inside dimensions (mm)			Raw material	Pressure loss (Pa)		
		A	B	C		54 m³/h	108m³/h	216m³/h
0670ES	CIRCULAR 90° BEND	Ø100	162	162	PS	3,3	6,6	13,3
T-P1500ES	CIRCULAR 90° BEND	Ø125	205	205	PS	2,0	4,0	7,9

PRODUCT TECHNICAL GRAPHIC

- about pressure loss (Pa) and Flow (m³/h)
- air speed of 4 m/s



0670ES
T-P1500ES

Technical Sheet

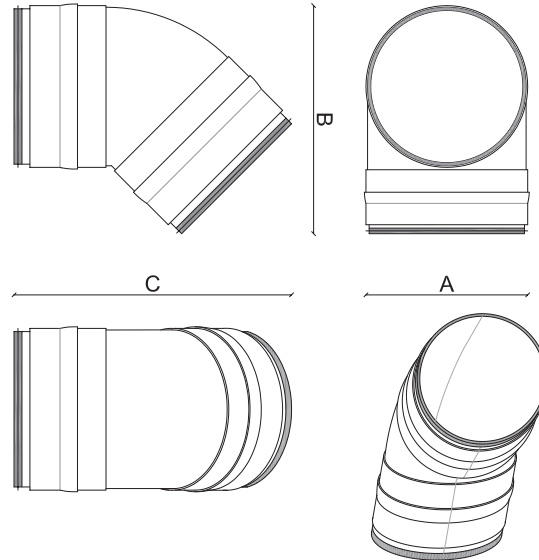
Thermoplastic Components

Technical data 0676ES/ T-P 1545ES

Circular 45° bend
TUBPLA® AIRTIGHT

CHARACTERISTICS:

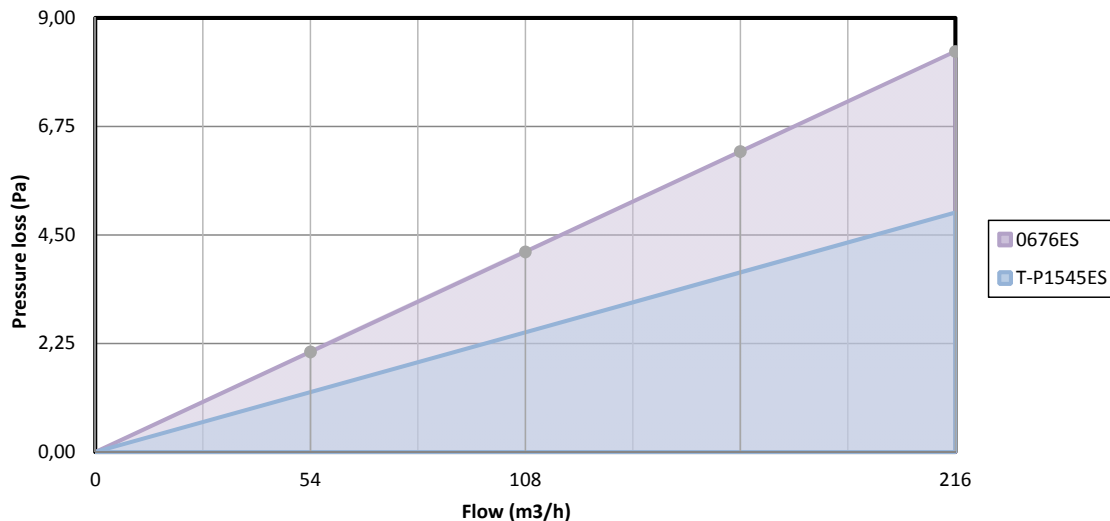
- Mechanical connections
- Modular fitting male-female
- Fixing system trough "AIRTIGHT"
- Extremely air-tight Class D according to EN 12237



TECHNICAL SPECIFICATIONS								
Reference	Description	inside dimensions (mm)			Raw material	Pressure loss (Pa)		
		A	B	C		54 m³/h	108m³/h	216m³/h
0676ES	CIRCULAR 45° BEND	Ø100	130	175	PP	2,1	4,2	8,3
T-P1545ES	CIRCULAR 45° BEND	Ø125	275	275	PS	1,2	2,5	5,0

PRODUCT TECHNICAL GRAPHIC

- about pressure loss (Pa) and Flow (m³/h)
- air speed of 4 m/s



Technical Sheet

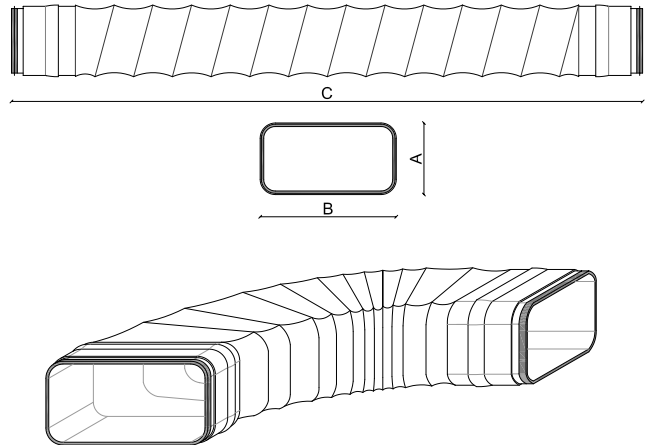
Thermoplastic Components

Technical data CCF-500ES / CCF-1000ES / CCF-900ES

Rectangular flexible bend
TUBPLA® AIRTIGHT

CHARACTERISTICS:

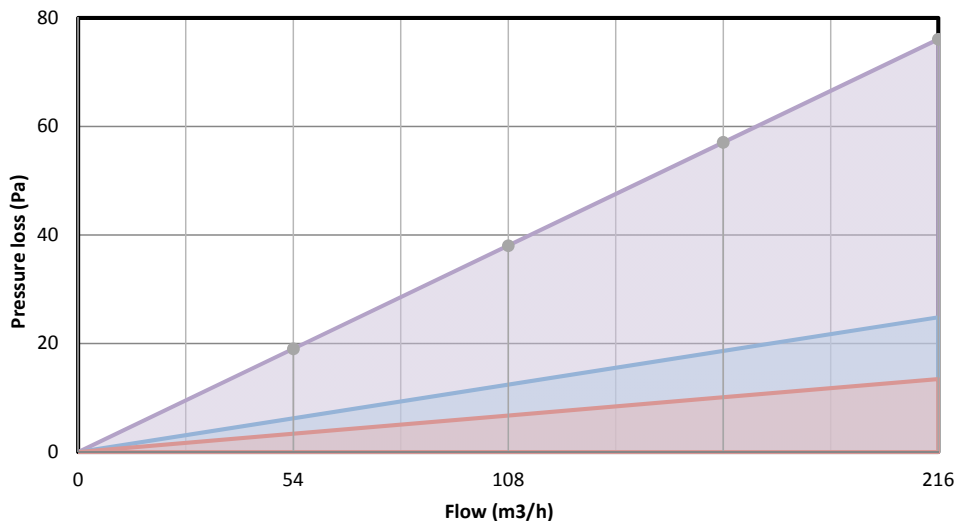
- Mechanical connections
- Modular fitting male-female
- Fixing system trough "AIRTIGHT"
- Extremely air-tight Class D according to EN 12237
- Going around obstacles and variable angle 0-90°



TECHNICAL SPECIFICATIONS								
Reference	Description	inside dimensions (mm)			Raw material	Pressure loss (Pa)		
		A	B	C		54 m³/h	108m³/h	216m³/h
CCF-500ES	RECTANGULAR FLEXIBLE BEND 55X110	55	110	540	PS	19,0	38,0	76,1
CCF-1000ES	RECTANGULAR FLEXIBLE BEND 55X220	55	220	540	PS	6,2	12,4	24,8
CCF-900ES	RECTANGULAR FLEXIBLE BEND 90X180	90	180	540	PS	3,4	6,7	13,4

PRODUCT TECHNICAL GRAPHIC

- about pressure loss (Pa) and Flow (m³/h)
- air speed of 4 m/s



Technical Sheet

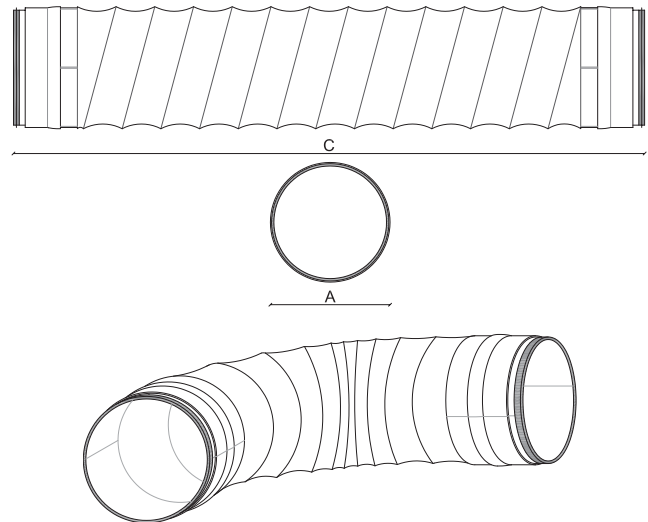
Thermoplastic Components

Technical data CRF-100ES / CRF-125ES

Circular flexible bend
TUBPLA® AIRTIGHT

CHARACTERISTICS:

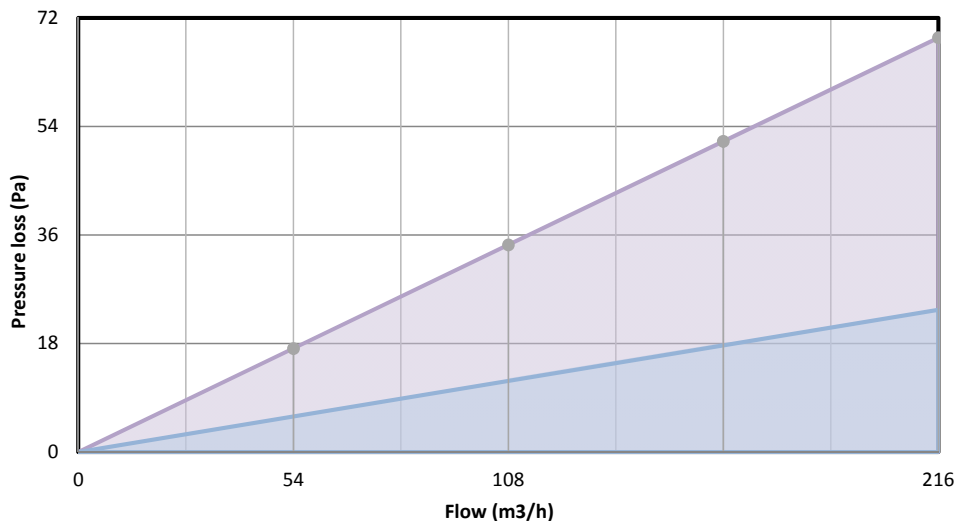
- Mechanical connections
- Modular fitting male-female
- Fixing system trough "AIRTIGHT"
- Extremely air-tight Class D according to EN 12237
- Going around obstacles and variable angle 0-90°



TECHNICAL SPECIFICATIONS								
Reference	Description	inside dimensions (mm)			Raw material	Pressure loss (Pa)		
		A	B	C		54 m³/h	108m³/h	216m³/h
CRF-100ES	CIRCULAR FLEXIBLE BEND Ø100	Ø100	0	540	PS	17,2	34,4	68,7
CRF-125ES	CIRCULAR FLEXIBLE BEND Ø125	Ø125	0	540	PS	5,9	11,8	23,6

PRODUCT TECHNICAL GRAPHIC

- about pressure loss (Pa) and Flow (m³/h)
- air speed of 4 m/s



Technical Sheet

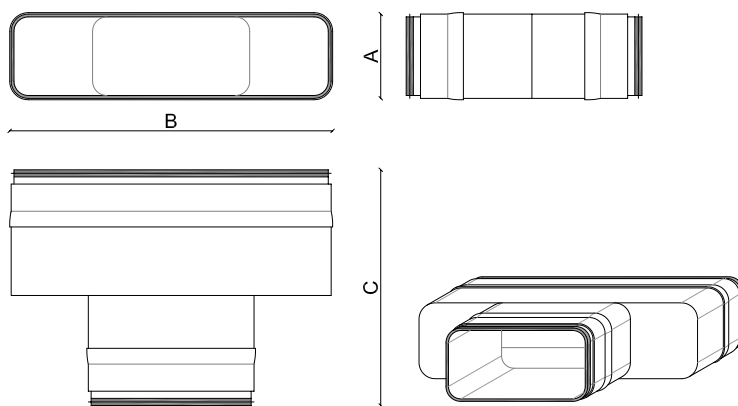
Thermoplastic Components

Technical data RP2211ES

Rectangular adaptor 22x55 - 110x55
TUBPLA® AIRTIGHT

CHARACTERISTICS:

- Mechanical connections
- Modular fitting male-female
- Fixing system trough "AIRTIGHT"
- Extremely air-tight Class D according to EN 12237

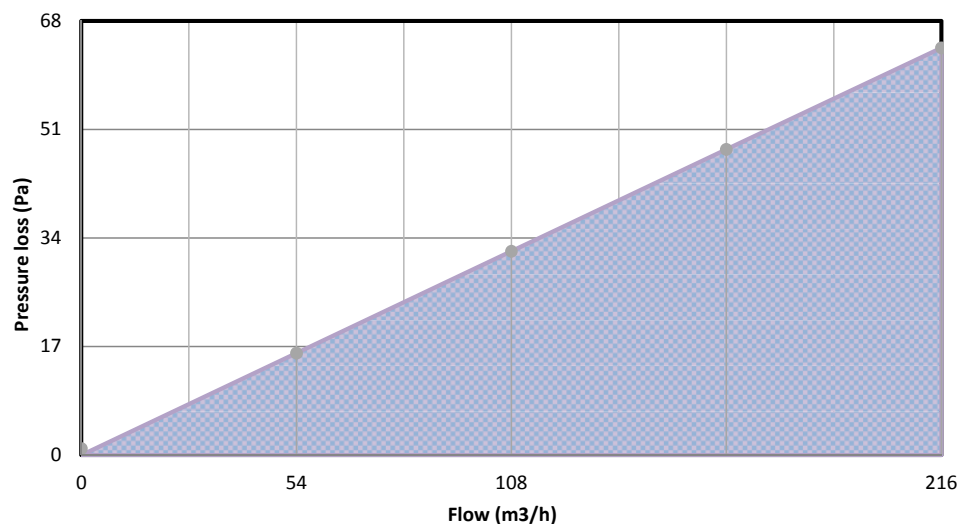


TECHNICAL SPECIFICATIONS

Reference	Description	inside dimensions (mm)			Raw material	Pressure loss (Pa)		
		A	B	C		54 m³/h	108m³/h	216m³/h
RP2211ES	RECTANGULAR ADAPTOR 220x55 - 110x55	55	220	165	PS	16,0	31,9	63,8

PRODUCT TECHNICAL GRAPHIC

- about pressure loss (Pa) and Flow (m³/h)
- air speed of 4 m/s



Technical Sheet

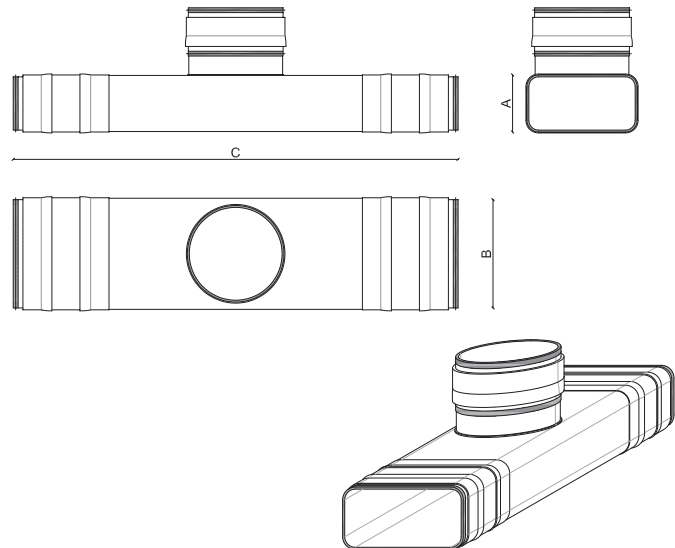
Thermoplastic Components

Technical data T-1ES / T-2ES

Mixed "T" joint
TUBPLA® AIRTIGHT

CHARACTERISTICS:

- Mechanical connections
- Modular fitting male-female
- Fixing system trough "AIRTIGHT"
- Extremely air-tight Class D according to EN 12237

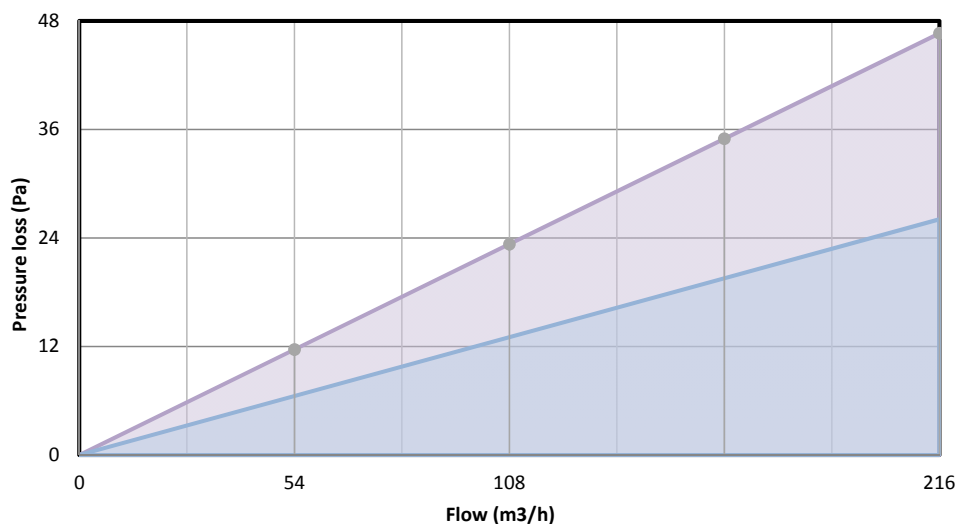


TECHNICAL SPECIFICATIONS

Reference	Description	inside dimensions (mm)			Raw material	Pressure loss (Pa)		
		A	B	C		54 m³/h	108m³/h	216m³/h
T-1ES	MIXED "T" JOINT 110x55x300 - Ø100	55	110	460	TPC-rigid	11,7	23,3	46,6
T-2ES	MIXED "T" JOINT 220x55x300 - Ø125	55	220	490	TPC-rigid	6,5	13,0	26,1

PRODUCT TECHNICAL GRAPHIC

- about pressure loss (Pa) and Flow (m³/h)
- air speed of 4 m/s



Technical Sheet

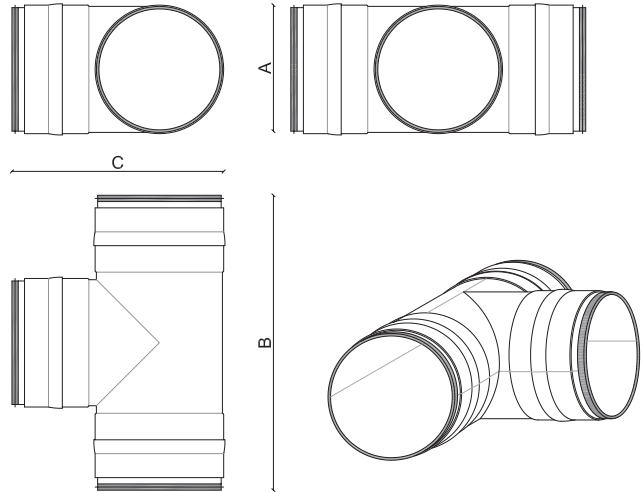
Thermoplastic Components

Technical data TR-100ES / TR-125ES

Circular "T" joint
TUBPLA® AIRTIGHT

CHARACTERISTICS:

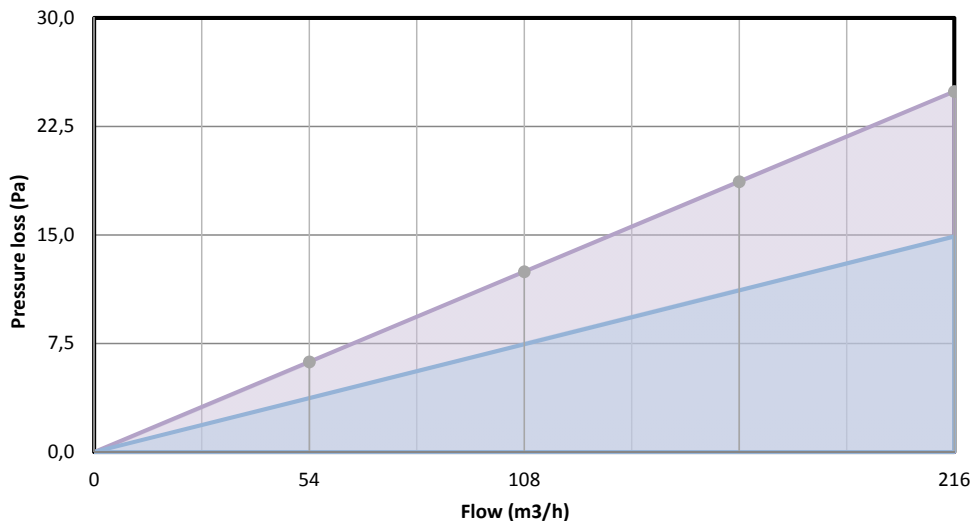
- Mechanical connections
- Modular fitting male-female
- Fixing system trough "AIRTIGHT"
- Extremely air-tight Class D according to EN 12237



TECHNICAL SPECIFICATIONS								
Reference	Description	inside dimensions (mm)			Raw material	Pressure loss (Pa)		
		A	B	C		54 m³/h	108m³/h	216m³/h
TR-100ES	CIRCULAR "T" JOINT - Ø100	Ø100	230	175	PS	6,2	12,5	24,9
TR-125ES	CIRCULAR "T" JOINT - Ø125	Ø125	281	215	PS	3,7	7,4	14,9

PRODUCT TECHNICAL GRAPHIC

- about pressure loss (Pa) and Flow (m³/h)
- air speed of 4 m/s



■ TR-100ES
■ TR-125ES

Technical Sheet

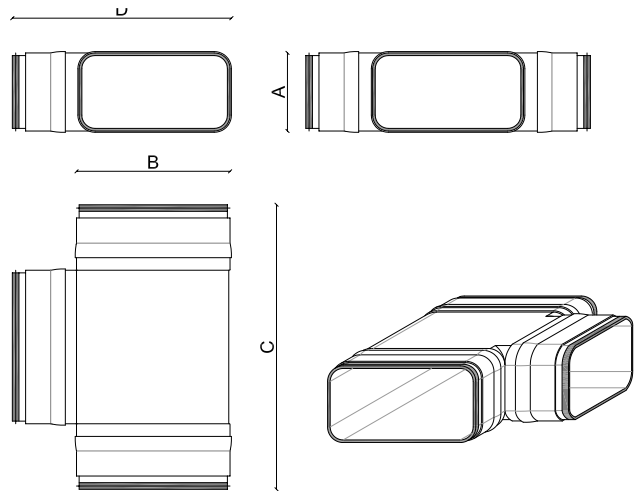
Thermoplastic Components

Technical data TT-2ES / TT-3ES / TT4ES

Rectangular "T" joint
TUBPLA® AIRTIGHT

CHARACTERISTICS:

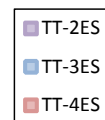
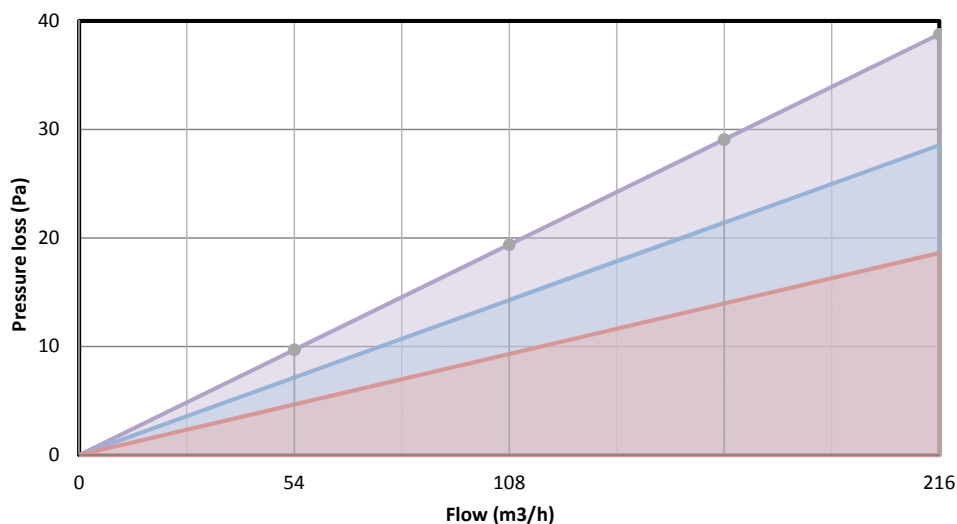
- Mechanical connections
- Modular fitting male-female
- Fixing system trough "AIRTIGHT"
- Extremely air-tight Class D according to EN 12237



TECHNICAL SPECIFICATIONS									
Reference	Description	inside dimensions (mm)				Raw material	Pressure loss (Pa)		
		A	B	C	D		54 m³/h	108m³/h	216m³/h
TT- 2ES	RECTANGULAR "T" JOINT 55x110	55	110	215	165	PS	9,7	19,4	38,8
TT- 3ES	RECTANGULAR "T" JOINT 55x220	55	220	440	338	TPC-rigid	7,1	14,3	28,6
TT- 4ES	RECTANGULAR "T" JOINT 90x180	90	180	370	300	PS	4,7	9,3	18,6

PRODUCT TECHNICAL GRAPHIC

- about pressure loss (Pa) and Flow (m³/h)
- air speed of 4 m/s




DNV BUSINESS ASSURANCE
CERTIFICADO DEL SISTEMA DE GESTIÓN
 (MANAGEMENT SYSTEM CERTIFICATE)
 Certificado nº 142845-2013-AQ-IBE-ENAC
Se certifica que el sistema de gestión de la compañía
(This is to certify that the management system of the company)
INDUSTRIAS GONAL HISPANIA S.L.
 Pol. Ind. Congost C/ Camí Vell de Vic, nº 12, 08520, Les Franqueses del Vallès - Barcelona
es conforme a la norma
(complies with the standard)
ISO 9001:2008
Este certificado es válido para el siguiente campo de aplicación
(This certificate is valid for the following scope)
DISEÑO Y FABRICACIÓN DE HILERAS, CALIBRADORES Y EXTRUSIONADOS DE PERFILES Y TUBOS DE RESINAS TERMOPLÁSTICAS. COMERCIALIZACIÓN DE PERFILES, TUBOS Y COMPLEMENTOS PARA LA INDUSTRIA, HOGAR Y CONSTRUCCIÓN.
DESIGN AND MANUFACTURE OF ROLLS, GAUGES AND EXTRUSIONS OF PROFILES AND THERMOPLASTIC RESIN ROSES, SALES OF PROFILES, HOSES AND ACCESSORIES FOR THE INDUSTRY, HOUSEHOLD AND CONSTRUCTION.

<p><i>Fecha certificación inicial:</i> <i>(Initial Certification Date)</i> 26.08.2003</p> <p><i>Este certificado es válido hasta:</i> <i>(This certificate is valid until)</i> 30.09.2016</p> <p><i>La auditoría ha sido realizada bajo la supervisión de:</i> <i>(The audit has been performed under the supervision of)</i></p> <p>Montserrat Manjón <i>Auditor jefe</i></p>	<p><i>Lugar y fecha:</i> <i>(Place and date)</i> Barcelona, 30.09.2013</p> <p><i>Unidad acreditada:</i> <i>(Accredited Unit)</i> DNV BUSINESS ASSURANCE ESPAÑA, S.L.</p> <p>Albert Canadell <i>Country Manager</i></p>
---	---


 El cumplimiento de las condiciones establecidas en el Contrato puede dar lugar a la cancelación del certificado.
 (The fulfilment of conditions set out in the Certificate Agreement may cause the certificate to be null and void.)
 Acreditado por DNV BUSINESS ASSURANCE ESPAÑA, S.L. C/ Carretera, s/n. Pol. Ind. Congost, 08170, Les Franqueses del Vallès, Barcelona, Spain. TEL: +34 93 478 47 00
www.dnv.com


 Hostalets de Balenyà a 23 Octubre 2008

ATESTACIÓN

Asunto: Reglamentación REACH 1907/2006

"REACH es el Reglamento relativo al Registro, la evaluación, la autorización y la restricción de las sustancias y preparados químicos (Registration, Evaluation, Authorisation and Restriction of Chemicals)"

"Entre el 1 de Junio y el 1 de Diciembre de 2008, unas treinta mil sustancias químicas utilizadas en la actualidad (solidos, metales, solventes, tensionantes o color, entre otras cosas) deberán preregistrarse en la agencia Europea de Sustancias y Preparados Químicos (ECHA)"


En lo referente a este tema deseamos informarles, que los productos suministrados por Industrias Gonal Hispania S.L, transformadores de compuestos termoplásticos, NO están sujetos a la Normativa REACH (Artículo 2(9))

Por ello, la aplicación de este Reglamento no debe significar ninguna modificación en el suministro de nuestros productos.

Para cualquier consulta que desean realizar, pueden contactar con nuestro Departamento Técnico a la siguiente dirección de mail: fguirao@gonal.es

Atentamente:

<p>Francisco Guirao Departamento Técnico</p>  <p>INDUSTRIAS GONAL HISPANIA S.L. Pol. Ind. Congost C/ Camí Vell de Vic, nº 12 Tel: 902 88 232 Int. 34 93 882 14 00 Fax: 902 88 93 02 Int. 34 93 882 11 91 08520 LES FRANQUESAS DEL VALLÈS Barcelona-España</p>	<p>Toni Nicolás Salas Gerente</p>  <p>INDUSTRIAS GONAL HISPANIA S.L. Pol. Ind. Congost C/ Camí Vell de Vic, nº 12 Tel: 902 88 232 Int. 34 93 882 14 00 Fax: 902 88 93 02 Int. 34 93 882 11 91 08520 LES FRANQUESAS DEL VALLÈS Barcelona-España</p>
--	--

2010

FES
 Ronda Mas d'en Bosch s/n
 17500 Ripoll
 T: 0034972715130
 F: 0034972715124
 www.fes.cat

**TEST DE ESTANQUEIDAD PARA
 JUNTAS DE CONDUCTOS DE CONDUCCIÓN
 DE AIRE TUBPLA®**

Data d'entrega: 12-01-2010
 Ronda Mas d'en Bosch s/n 17500 Ripoll www.fes.cat

INDUSTRIAS GONAL HISPANIA, SL

Pol. Ind. Congost
 C/ Camí Vell de Vic, núm.12
 08520 Les Franqueses del Vallès
 Barcelona- España

Tel: 902 889 232
 Tel Int.: +34 938 616 530
 Fax.: 902 889 302
 Fax Int.: +34 938 402 047

gonal@gonal.es
www.gonal.es