

VULCAN



CENTRIFUGAL FAN FOR FIREPLACES AND BARBECUES, 200°C

MANUFACTURING FEATURES:

- Bird protection guard included.
- Manufactured with standard voltages: 230V/50Hz.
- Structure in galvanised steel.

APPLICATIONS:

Specially designed for smoke extraction up to 200°C in fireplaces and barbecues.

Accessories



INT



REG



REG
VMC



REGD-1

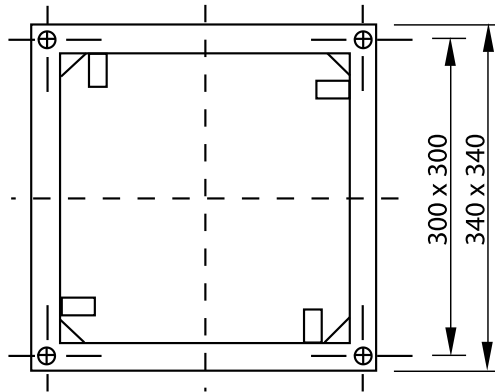
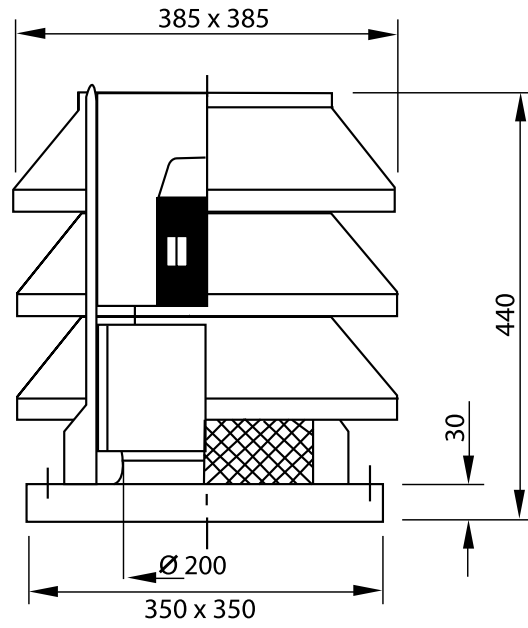
Technical data

Single-phase motor

Code	Model	R.P.M.	Rated I. (A) 230V	Rated power kW	Max. Airflow m3/h	Sound db (A)*	Weight	Connect. diagram
300667600	VULCAN/ST	1400	0,42	0,09	1.000	50	18	1

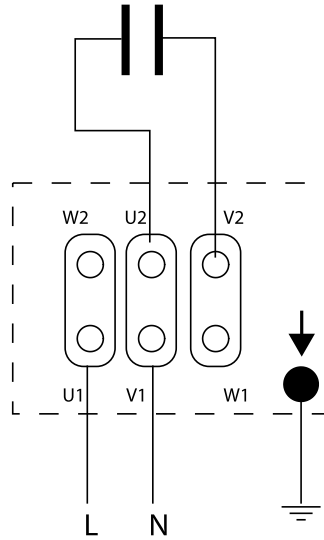
Notes:
 * Total sound pressure level at the point of maximum flow measured in dB(A) in the suction measured in free field at a distance of 6m from the source

Dimensions



Wiring diagram

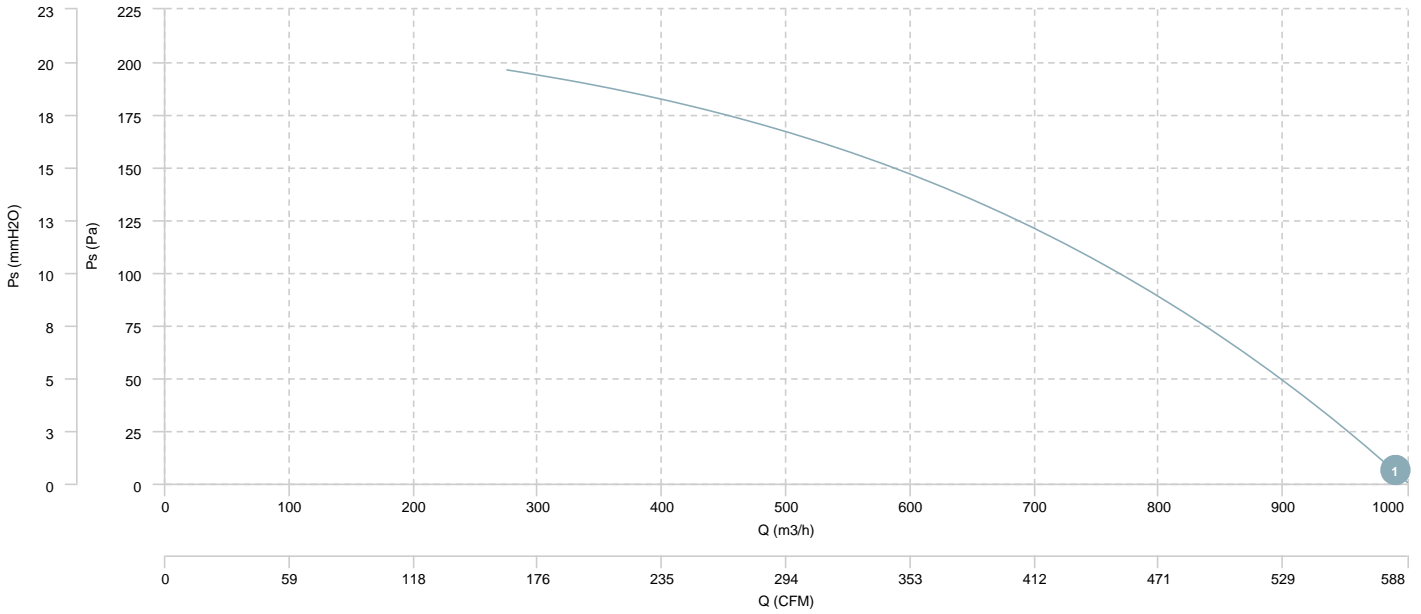
DIAGRAM N° 1



CHARACTERISCTIC CURVE

1 VULCAN/ST

AIR FLOW - PRESSURE



Sound data

		Sound power Lw dB (A)								
Model		63 Hz	125 Hz	250 Hz	500 Hz	1000 Hz	2000 Hz	4000 Hz	8000 Hz	Total
VULCAN/ST	Inlet	62	67	70	72	70	71	62	52	76