

## SB FILTER



### CENTRIFUGAL LOW PROFILE BOX WITH FILTERS. EXTERNAL ROTOR MOTOR

#### CONSTRUCTIVE FEATURES:

- Box manufactured in galvanized sheet with thermo-acoustic insulation, Bs1d0 fire class
- rectangular connection flanges
- Two-stage filtration G4 and F7
- Asynchronous external rotor, which includes thermal protector and ball bearings permanently greased. IP-44 protection and insulation class B according to DIN 40.050 h1. Standard voltage 230V 50Hz.

#### APPLICATIONS:

Designed for inline installation, they are suitable for:

- Air renewal in bathrooms and small premises.
- Perfect for installing in false ceilings or open.
- Maximum working temperature: 50°C.

(\* ) The data shown correspond to measurements made without the filters installed.

## Accessories



**FILTRO  
SB  
FILTER**



**INT**



**REG**



**REG  
VMC**



**REGD-1**

## Technical data

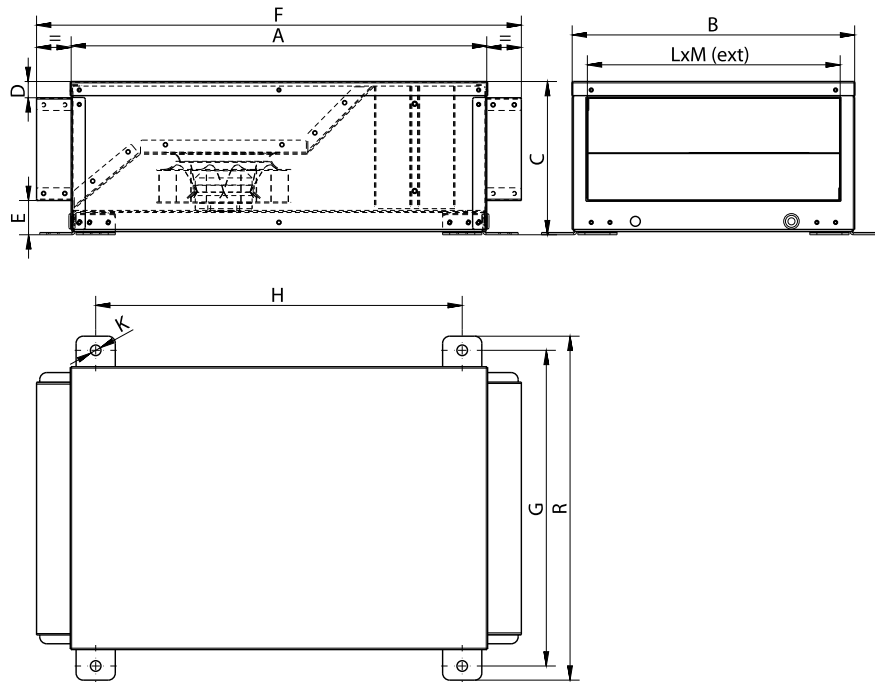
### Single-phase motor

Code	Model	R.P.M.	Rated I. (A) 230V	Rated power kW	Max. Airflow m3/h	Sound db (A)*	Weight	Connect. diagram
240160243F	SB FILTER 160	2290	0,27	0,06	410	39	13,50	1
240200243F	SB FILTER 200	2480	0,42	0,10	780	43	17	1
240250243F	SB FILTER 250	2530	0,82	0,19	1.140	48	21	1
240280243F	SB FILTER 280	2480	1,05	0,24	1.560	52	27	1
240310243F	SB FILTER 315	1380	0,6	0,14	1.550	36	32	1
240350243F	SB FILTER 355	1400	0,75	0,17	2.170	36	40	1
240400243F	SB FILTER 400	1350	1,2	0,26	2.490	39	60	1

**Notes:**

\* Total sound pressure level at the point of maximum flow measured in dB(A) in the suction measured in free field at a distance of 6m from the source

## Dimensions

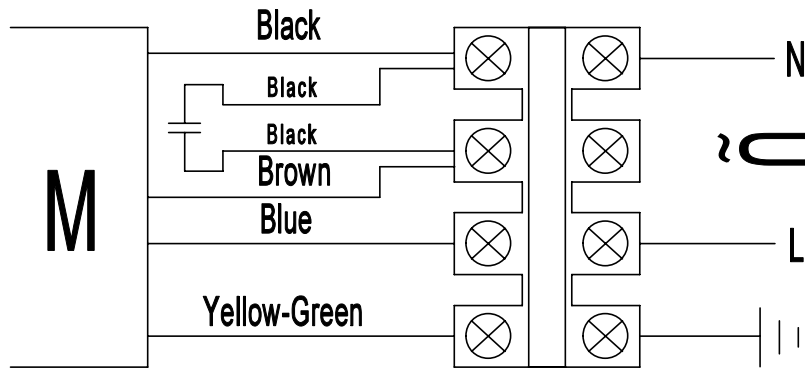


Model	A	B	C	D	E	F(aprox)	G	H	L (ext)
SB FILTER 160	588,5	400	217	23	48,5	686,5	447	519	358
SB FILTER 200	657	453	255,5	23	48,5	765	500	587,5	412
SB FILTER 250	738,5	497	305,5	23	48,5	856,5	554	639	456
SB FILTER 280	808,5	552	340,5	23	48,5	926,5	609	709	511
SB FILTER 315	886	618	375,5	23	48,5	1004	675	786,5	577
SB FILTER 355	977	692	445,5	23	48,5	1135	749	877,5	651
SB FILTER 400	1083	777	475,5	23	48,5	1241	834	983,5	736

Model	M (ext)	R	ØK
SB FILTER 160	145,5	487	15
SB FILTER 200	184	540	15
SB FILTER 250	234	604	15
SB FILTER 280	269	659	15
SB FILTER 315	304	725	15
SB FILTER 355	374	799	15
SB FILTER 400	404	884	15

## Wiring diagram

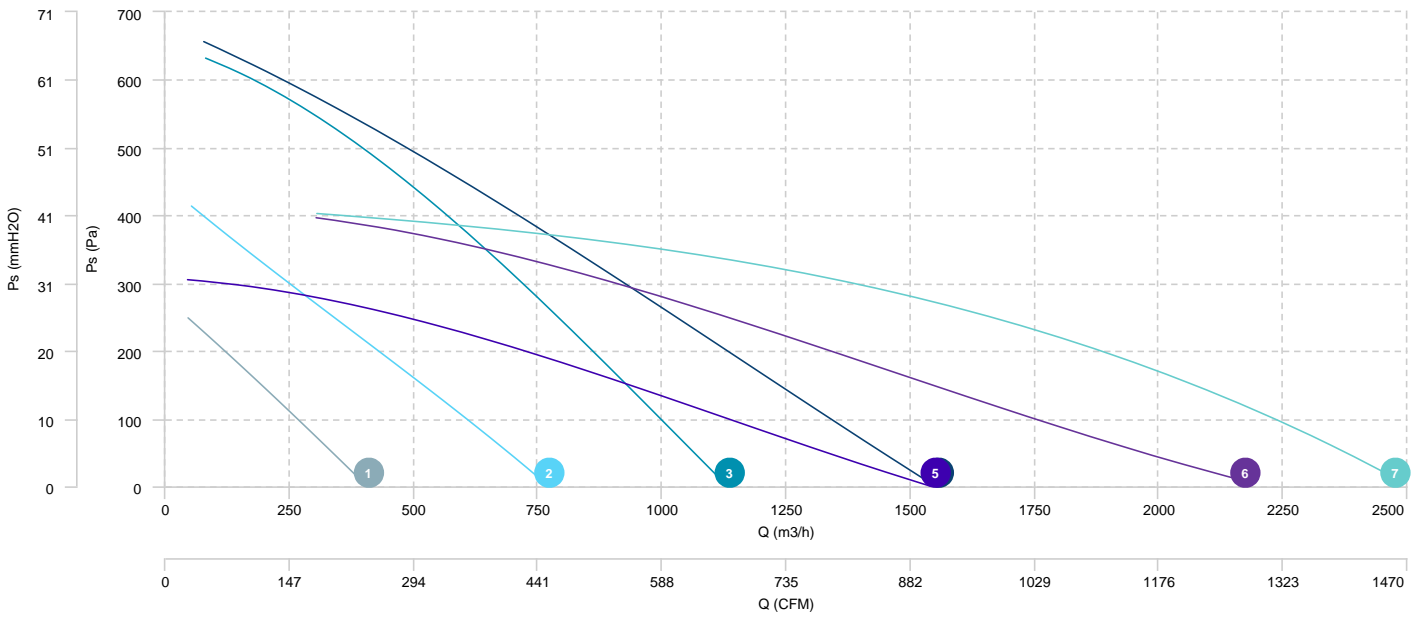
DIAGRAM N° 1



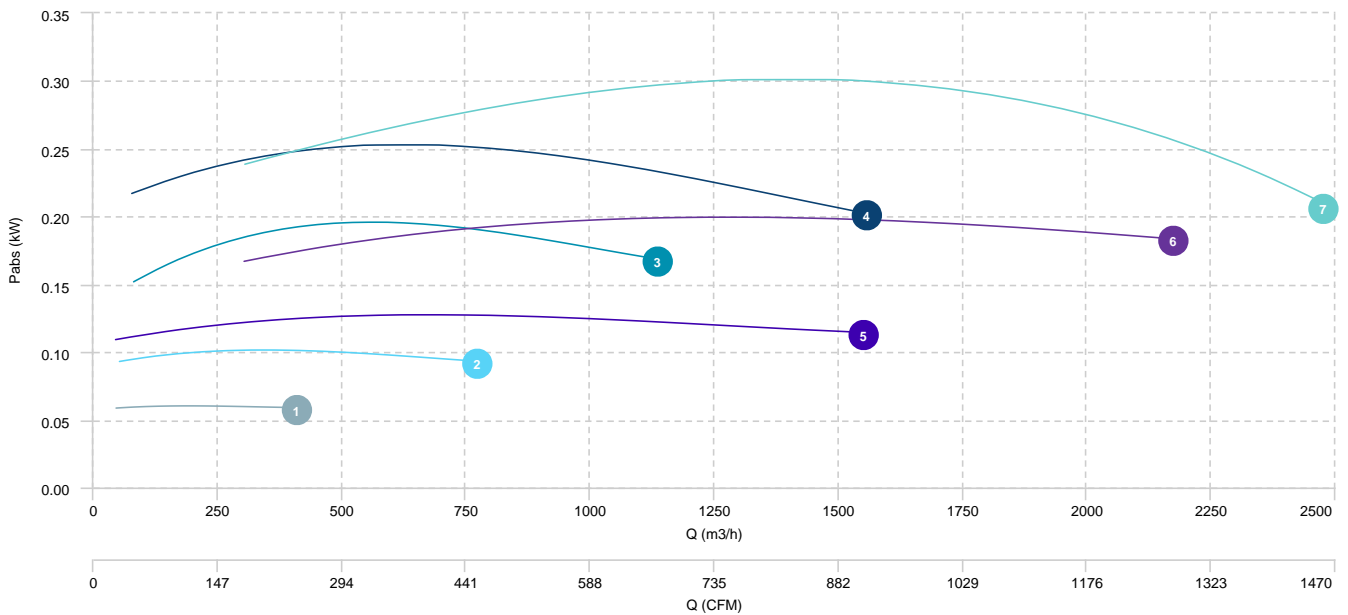
# CHARACTERISTIC CURVE

1	SB FILTER 160	2	SB FILTER 200	3	SB FILTER 250	4	SB FILTER 280
5	SB FILTER 315	6	SB FILTER 355	7	SB FILTER 400		

## AIR FLOW - PRESSURE



## AIR FLOW - ABSORBED POWER



## Sound data

Sound power Lw dB (A)										
Model		63 Hz	125 Hz	250 Hz	500 Hz	1000 Hz	2000 Hz	4000 Hz	8000 Hz	Total
SB FILTER 160	Inlet	62	60	53	48	47	44	41	36	65
SB FILTER 200	Inlet	66	64	57	52	51	48	45	40	69
SB FILTER 250	Inlet	71	69	62	57	56	53	50	45	74
SB FILTER 280	Inlet	75	73	66	61	60	57	54	49	78
SB FILTER 315	Inlet	59	57	50	45	44	41	38	33	62
SB FILTER 355	Inlet	59	57	50	45	44	41	38	33	62
SB FILTER 400	Inlet	62	60	53	48	47	44	41	36	65

**erp data**
**ERP**

Fan type	Unit for non-residential ventilation (LOT 6)
Typology	Unidirectional
Others	Filter
Type of driver	None

**Maximum efficiency point data**

Model	Motor power (kW)	Eff.Heat recovery (%)	Max. efficiency (%)	Pabs (kW)	Air Flow (m3/h)	Ps (Pa)	Speed (m/s)	SFP (W/m3/s)
SB FILTER 250	0,19	-	32,62	0,20	595,03	382,40	1.55	1.183,80
SB FILTER 280	0,24	-	32,17	0,25	809,71	354,14	1.84	1.111,47
SB FILTER 315	0,14	-	31,71	0,13	792,44	183,96	1.25	577,26
SB FILTER 355	0,17	-	39,33	0,20	1.085,39	260,36	1.24	658,39
SB FILTER 400	0,26	-	40,64	0,30	1.556,44	270,42	1.45	693,31