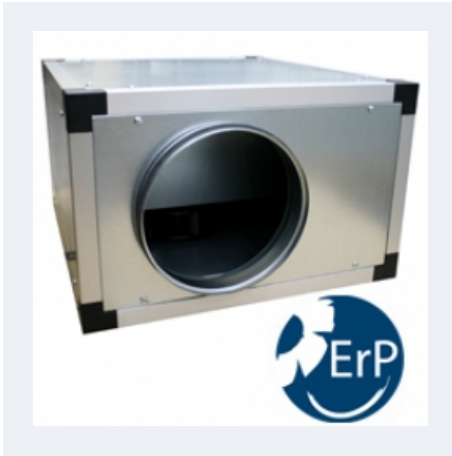


SBC EEC PLUS



SOUNDPROOF CENTRIFUGAL LOW PROFILE BOX WITH CIRCULAR FLANGES . MOTOR EC.

- Structure in aluminum profile 30mm. Galvanized sandwich panels with internal insulation rockwool class A1 (non-combustible) of 90kg / m3 density
- Polyamide reinforced impeller for models 200 and 250 and aluminum plate for the rest.
- Circular connection flanges
- Motor-efficient technology EC (electronically commutated). IP-44 protection and insulation class B. Standard voltage 230V 50Hz

APPLICATIONS:

Designed for inline installation, they are suitable for:

- Air renewal in bathrooms and small premises.
- Perfect for installing in false ceilings or open.
- Maximum continuous working temperature: 45°C.

Accessories



INT



REGC

Technical data

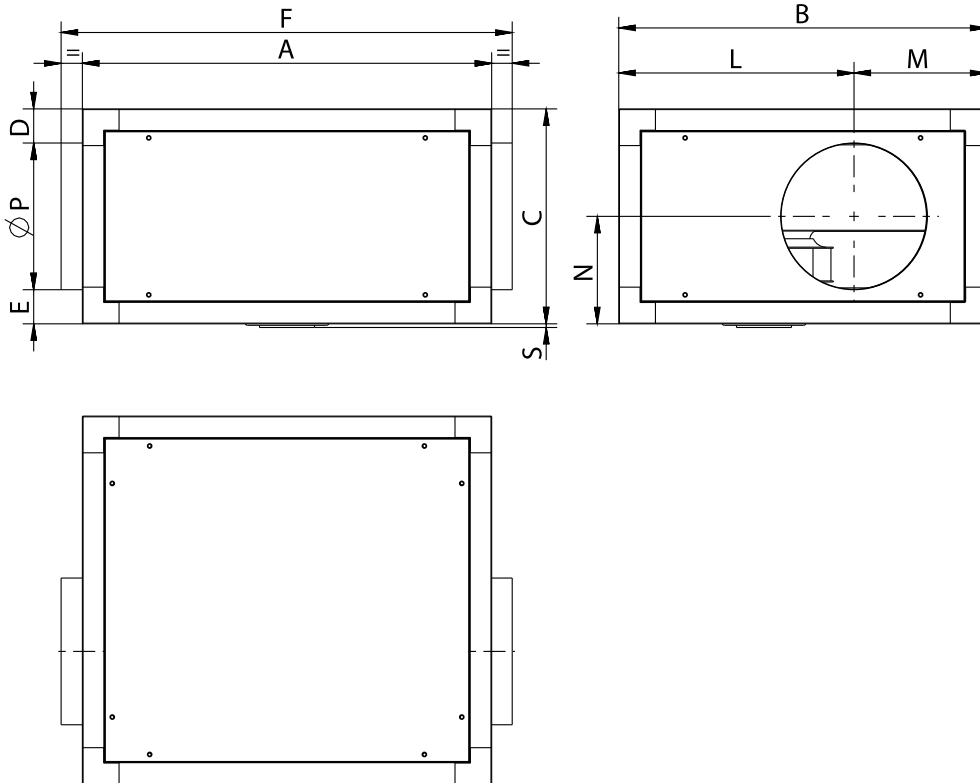
Single-phase motor

Code	Model	R.P.M.	Rated I. (A) 230V	Rated power kW	Max. Airflow m3/h	Sound db (A)**	Weight	Connect. diagram
240200443C	SBC PLUS 200 EEC	3470	0,7	0,09	620	42	25	1
240250443C	SBC PLUS 250 EEC	3310	1	0,15	920	42	31	1
240310443C	SBC PLUS 315 EEC	1925	1,3	0,17	1.650	32	48	1
240350443C	SBC PLUS 355 EEC	2400	1,4	0,32	2.030	41	60	1

Notes:

** Total sound pressure level at the point of maximum flow measured in dB(A) in the suction measured in free field at a distance of 6m from the source

Dimensions





Model	A	B	C	D	E	F	L	M	N
SBC PLUS 200 EEC	558	502	293	46.5	46.5	615	321	182	146.5
SBC PLUS 250 EEC	625	546	344	47	47	692	338	208	172
SBC PLUS 315 EEC	772	667	414	49.5	49.5	839	427.5	239.5	207
SBC PLUS 355 EEC	860	741	460	52.5	52.5	967	481	260	230

Model	S	ØP
SBC PLUS 200 EEC	5	200
SBC PLUS 250 EEC	5	250
SBC PLUS 315 EEC	5	315
SBC PLUS 355 EEC	21	355

Wiring diagram

DIAGRAM Nº 1

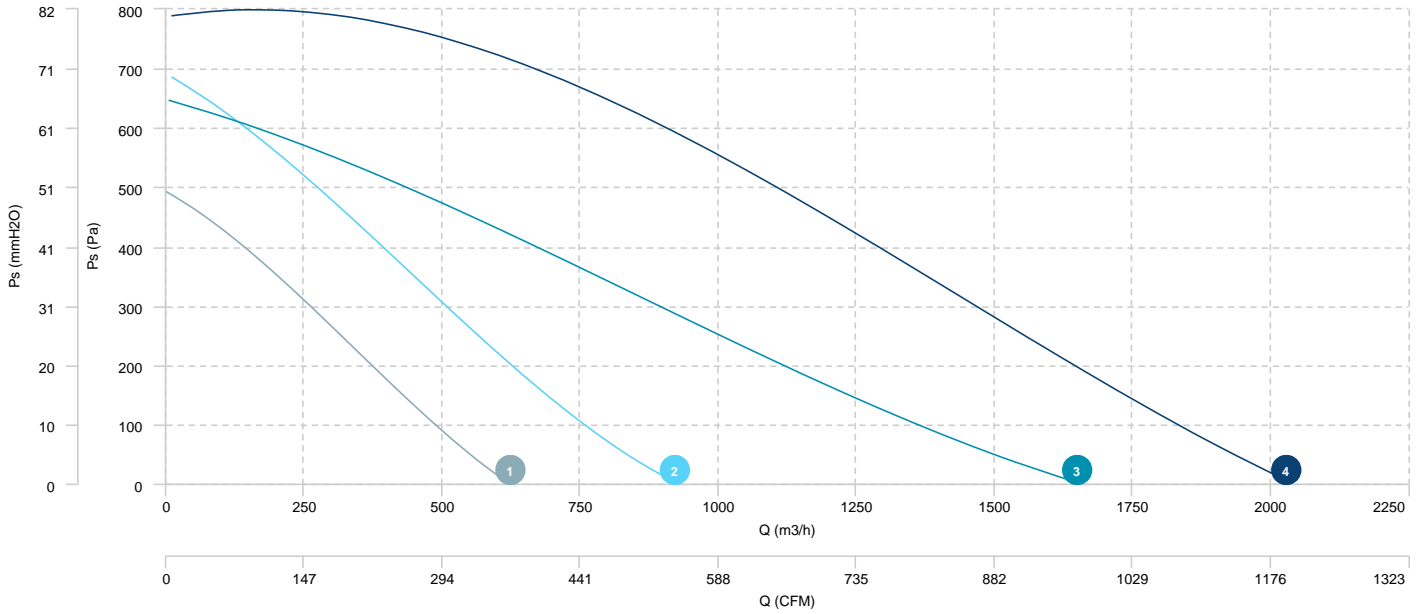
Signal Señal	Colour Color	Specification Especificación
L	Brown Marrón	AC 220V/50Hz
N	Blue Azul	AC 220V/50Hz
Pe	Yellow-Green Amarillo-Verde	

Signal Señal	Colour Color	Specification Especificación
Vcc	Red Rojo	DC 10V
Vsp	Yellow Amarillo	0-10 DC/PWM
GND	Blue Azul	
FG	White Blanco	1 Pulse/R

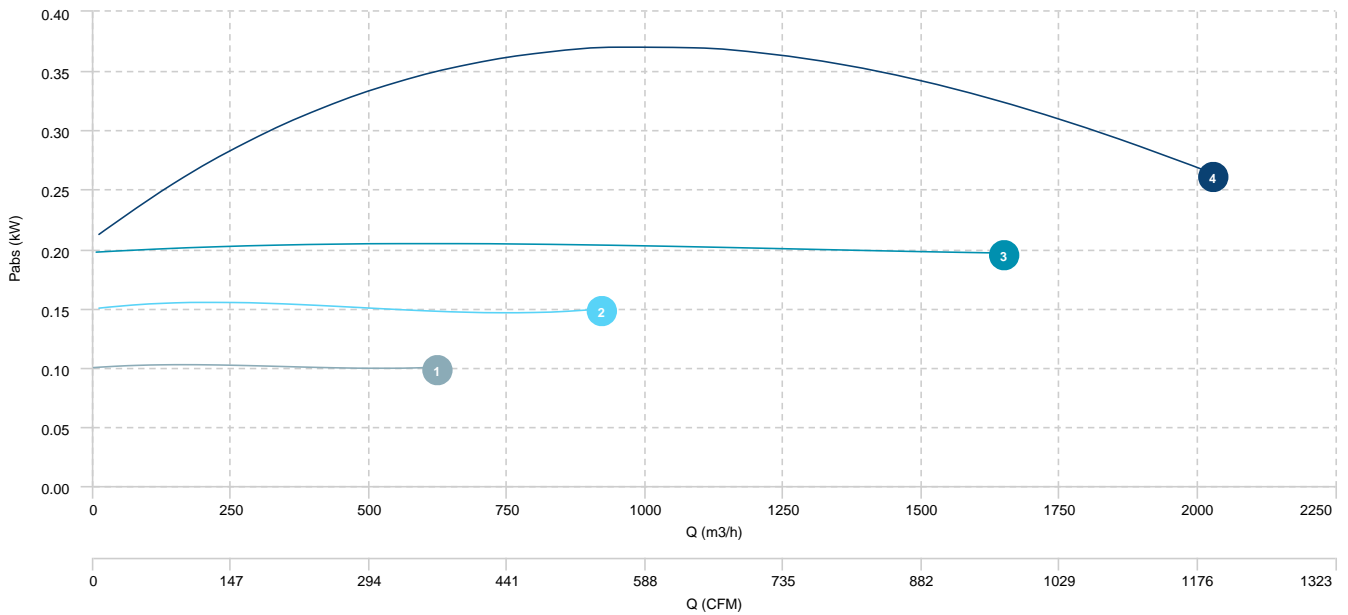
CHARACTERISTIC CURVE

- 1 SBC PLUS 200 EEC
- 2 SBC PLUS 250 EEC
- 3 SBC PLUS 315 EEC
- 4 SBC PLUS 355 EEC

AIR FLOW - PRESSURE



AIR FLOW - ABSORBED POWER



Sound data

Sound power Lw dB (A)										
Model		63 Hz	125 Hz	250 Hz	500 Hz	1000 Hz	2000 Hz	4000 Hz	8000 Hz	Total
SBC PLUS 200 EEC	Inlet	65	63	56	51	50	47	44	39	68
SBC PLUS 250 EEC	Inlet	65	63	56	51	50	47	44	39	68
SBC PLUS 315 EEC	Inlet	55	53	46	41	40	37	34	29	58
SBC PLUS 355 EEC	Inlet	64	62	55	50	49	46	43	38	67