

NIMUS ATEX (2G)



CENTRIFUGAL FAN WITH BACKWARD IMPELLER, DIRECT DRIVEN WITH FEET MOTOR (B3) ATEX.

MANUFACTURING FEATURES

- Medium pressure centrifugal fan with direct coupling.
 - Reinforced housing made of carbon laminated steel, protected against corrosion by powder coating polyester resin RAL 5010. Finish C3.
 - Casing fully latched and adjustable.
 - Self-cleaning turbine and reinforced impeller with high-performance backward (reaction) blades made of carbon laminated steel dynamically balanced to minimize noise and vibrations. Black painted RAL 9005
 - Squirrel cage standardized asynchronous IEC motor with IP-55 protection and class F electrical insulation. Standard voltages 230/400V 50Hz for three-phase motors up to 4kW and 400/690V 50Hz for higher powers.
 - Motor with feet (B3) supported on motor support foot.
 - Models of size 500 and above are supplied with a front support foot, for the other models the front support foot is optional.
 - Available in the following orientations (to be indicated in case of order): LG0, LG45, LG90, LG135, LG180; LG225, LG270, LG315, RD0, RD45, RD90, RD135, RD180; RD225, RD270, RD315.
 - Maximum working temperature in continuous: air transported: 130°C, Environment: 60°C.
- Available in the following versions (to be indicated in case of order):
- ATEX II2G Ex_d
 - ATEX II2G Ex_e
 - ATEX II3GD Ex_na (see NIMUS ATEX (3G))

APPLICATIONS

Suitable for moving clean or dusty air. Designed to be installed in conduit for suction or impulsion.

- Paint booths
- Collection of dust
- Food industry dryers
- Food processing
- Incineration
- Odor control in industry
- Indoor / outdoor pollution control
- Big buildings
- Malls
- Factories / Industrial buildings
- Warehouses
- Extraction of smoke
- Boilers and ovens
- Manufacture and treatment of chemical products.
- Tunnels, underground stations.

ON DEMAND

- Fans for 60Hz and special voltages.
- 2 speed motor.

- C4 or C5 coating painting
- Hot dip galvanized
- Inox 304 (normal or electropolished finish)
- Inox 316 (normal or electropolished finish)
- Cooling wheel
- Anticaloric paint
- Fully welded housing (waterproof)
- Inspection door to facilitate maintenance and cleaning
- Drain plug.
- Airtight axle
- Other brands of motors.

Technical data

Three-phase motor / 2 poles

Code	Model	R.P.M.	Rated I. (A) 400V	Rated power kW	Max. Airflow m3/h	Sound db (A)**	Weight	Connect. diagram
NS311280X_	NIMUS 311 T2 1,1kW ATEX (2G)	2800	2,6	1,10	4.710	58	34,97	1
NS312280X_	NIMUS 312 T2 1,1kW ATEX (2G)	2800	2,6	1,10	4.960	59	35,20	1
NS351290X_	NIMUS 351 T2 2,2kW ATEX (2G)	2840	5,4	2,20	6.750	62	44,12	1
NS352290X_	NIMUS 352 T2 2,2kW ATEX (2G)	2840	5,4	2,20	7.100	63	44,53	1
NS4012100X_	NIMUS 401 T2 3kW ATEX (2G)	2880	7,3	3	9.650	66	61,47	1
NS4022112X_	NIMUS 402 T2 4kW ATEX (2G)	2880	9,2	4	10.160	67	61,90	1
NS4512132X_	NIMUS 451 T2 7,5kW ATEX (2G)	2910	14,1	7,50	13.740	69	86,03	1
NS4522132X_	NIMUS 452 T2 7,5kW ATEX (2G)	2910	14,1	7,50	14.460	70	87,90	1
NS5012160X_	NIMUS 501 T2 11kW ATEX (2G)	2940	21,4	11	18.850	73	110,05	1
NS5022160X_	NIMUS 502 T2 11kW ATEX (2G)	2940	21,4	11	19.840	73	110,01	1

Three-phase motor / 4 poles

Code	Model	R.P.M.	Rated I. (A) 400V	Rated power kW	Max. Airflow m3/h	Sound db (A)**	Weight	Connect. diagram
NS311471X_	NIMUS 311 T4 0,37kW ATEX (2G)	1400	1,2	0,37	2.360	43	34,50	1
NS312471X_	NIMUS 312 T4 0,37kW ATEX (2G)	1400	1,2	0,37	2.480	44	35,82	1
NS351471X_	NIMUS 351 T4 0,37kW ATEX (2G)	1400	1,2	0,37	3.370	47	43,16	1
NS352471X_	NIMUS 352 T4 0,37kW ATEX (2G)	1400	1,2	0,37	3.550	48	43,66	1
NS401480X_	NIMUS 401 T4 0,55kW ATEX (2G)	1400	1,75	0,55	4.830	51	55,47	1
NS402480X_	NIMUS 402 T4 0,55kW ATEX (2G)	1400	1,75	0,55	5.080	51	55,92	1
NS451480X_	NIMUS 451 T4 0,75kW ATEX (2G)	1410	2,1	0,75	6.870	54	69,17	1
NS452490X_	NIMUS 452 T4 1,1kW ATEX (2G)	1450	3,3	1,10	7.230	55	70,34	1
NS501490X_	NIMUS 501 T4 1,5kW ATEX (2G)	1440	3,8	1,50	9.420	57	87,37	1
NS502490X_	NIMUS 502 T4 1,5kW ATEX (2G)	1440	3,8	1,50	9.920	58	88,14	1
NS5614100X_	NIMUS 561 T4 2,2kW ATEX (2G)	1435	5,8	2,20	13.240	61	121,40	1
NS5624100X_	NIMUS 562 T4 3kW ATEX (2G)	1420	6,8	3	13.940	62	122,31	1
NS6314112X_	NIMUS 631 T4 4kW ATEX (2G)	1440	9,1	4	18.850	65	150,22	1
NS6324132X_	NIMUS 632 T4 5,5kW ATEX (2G)	1460	11,5	5,50	19.850	65	163,06	1
NS7114132X_	NIMUS 711 T4 7,5kW ATEX (2G)	1455	15,6	7,50	26.980	68	202,22	1
NS7124132X_	NIMUS 712 T4 9,2kW ATEX (2G)	1465	17,40	9,20	28.410	69	216,35	1
NS8014160X_	NIMUS 801 T4 15kW ATEX (2G)	1465	29,8	15	38.600	72	266,35	1
NS8024160X_	NIMUS 802 T4 15kW ATEX (2G)	1465	29,8	15	40.640	73	268,35	1
NS9014200X_	NIMUS 901 T4 30kW ATEX (2G)	1475	56,3	30	54.960	75	369,35	1
NS9024200X_	NIMUS 902 T4 30kW ATEX (2G)	1475	56,3	30	57.860	76	370,85	1

Code	Model	R.P.M.	Rated I. (A) 400V	Rated power kW	Max. Airflow m3/h	Sound db (A)**	Weight	Connect. diagram
NS10014225X_	NIMUS 1001 T4 45kW ATEX (2G)	1475	80,7	45	75.390	79	438,91	1
NS10024225X_	NIMUS 1002 T4 45kW ATEX (2G)	1475	80,7	45	79.370	79	441	1

Three-phase motor / 6 poles

Code	Model	R.P.M.	Rated I. (A) 400V	Rated power kW	Max. Airflow m3/h	Sound db (A)**	Weight	Connect. diagram
NS501680X_	NIMUS 501 T6 0,37kW ATEX (2G)	900	1,4	0,37	6.280	49	86,82	1
NS502680X_	NIMUS 502 T6 0,55kW ATEX (2G)	900	2	0,55	6.610	49	87,58	1
NS561690X_	NIMUS 561 T6 0,75kW ATEX (2G)	925	2,2	0,75	8.830	52	114,84	1
NS562690X_	NIMUS 562 T6 0,75kW ATEX (2G)	925	2,2	0,75	9.290	53	115,85	1
NS6316100X_	NIMUS 631 T6 1,5kW ATEX (2G)	940	4	1,50	12.570	56	149,63	1
NS6326100X_	NIMUS 632 T6 1,5kW ATEX (2G)	940	4	1,50	13.230	57	150,83	1
NS7116112X_	NIMUS 711 T6 2,2kW ATEX (2G)	965	5,2	2,20	17.990	59	189,97	1
NS7126132X_	NIMUS 712 T6 3kW ATEX (2G)	960	7,8	3	18.940	60	203,46	1
NS8016132X_	NIMUS 801 T6 4kW ATEX (2G)	960	9,46	4	25.730	63	252,46	1
NS8026132X_	NIMUS 802 T6 5,5kW ATEX (2G)	960	12,8	5,50	27.090	64	254,46	1
NS9016160X_	NIMUS 901 T6 7,5kW ATEX (2G)	965	15,2	7,50	36.640	67	323,75	1
NS9026160X_	NIMUS 902 T6 11kW ATEX (2G)	975	-	12	38.570	67	326,35	1
NS10016180X_	NIMUS 1001 T6 15kW ATEX (2G)	970	27,7	15	50.260	70	399,93	1
NS10026180X_	NIMUS 1002 T6 15kW ATEX (2G)	970	27,7	15	52.910	71	402,93	1

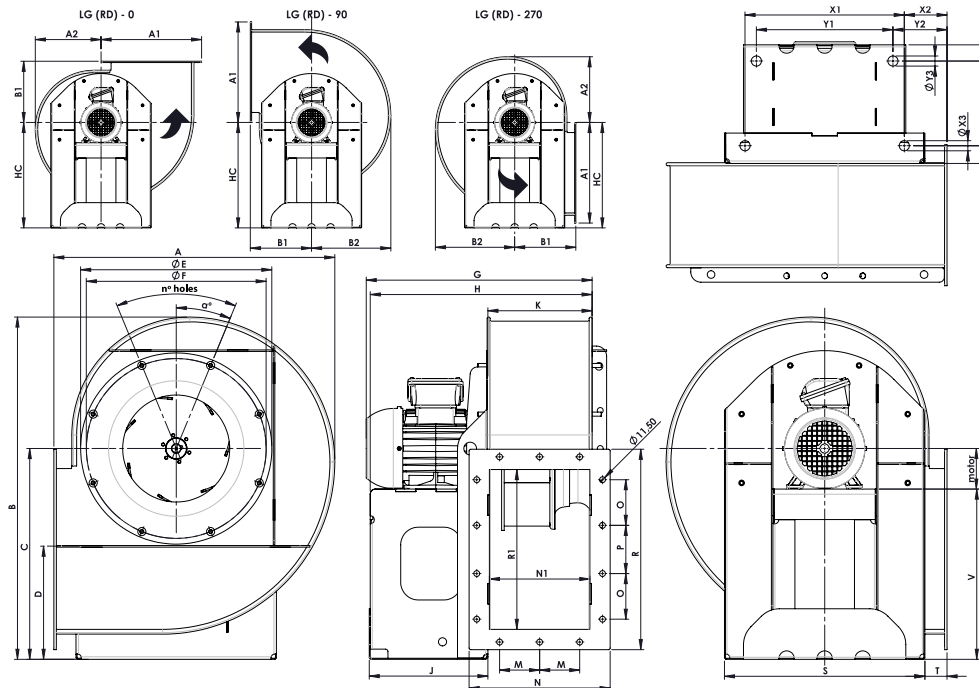
Three-phase motor / 8 poles

Code	Model	R.P.M.	Rated I. (A) 400V	Rated power kW	Max. Airflow m3/h	Sound db (A)**	Weight	Connect. diagram
NS8018132X_	NIMUS 801 T8 2,2kW ATEX (2G)	700	5,44	2,20	19.300	56	252,46	1
NS8028132X_	NIMUS 802 T8 2,2kW ATEX (2G)	700	5,44	2,20	20.320	57	254,46	1
NS9018132X_	NIMUS 901 T8 3kW ATEX (2G)	700	7,23	3	27.480	60	315,26	1
NS9028160X_	NIMUS 902 T8 4kW ATEX (2G)	725	9,43	4	28.930	60	326,35	1
NS10018160X_	NIMUS 1001 T8 5,5kW ATEX (2G)	725	12,7	5,50	37.700	63	386,95	1
NS10028160X_	NIMUS 1002 T8 5,5kW ATEX (2G)	725	12,7	5,50	39.680	64	390,35	1

Notes:

** Total sound pressure level at the point of maximum flow measured in dB(A) in the suction measured in free field at a distance of 6m from the source

Dimensions



Model	A	A1	A2	B	B1	B2	C	D	E
NIMUS 311 T2 1,1kW ATEX (2G)	554	396.5	259.2	675	241.3	312.6	415.5	216.5	377
NIMUS 311 T4 0,37kW ATEX (2G)	554	396.5	259.2	675	241.3	312.6	415.5	216.5	377
NIMUS 312 T2 1,1kW ATEX (2G)	554	396.5	259.2	675	241.3	312.6	415.5	216.5	377
NIMUS 312 T4 0,37kW ATEX (2G)	554	396.5	259.2	675	241.3	312.6	415.5	216.5	377
NIMUS 351 T2 2,2kW ATEX (2G)	617	441.8	290.9	751.5	266.2	351.1	460.5	236	419
NIMUS 351 T4 0,37kW ATEX (2G)	617	441.8	290.9	751.5	266.2	351.1	460.5	236	419
NIMUS 352 T2 2,2kW ATEX (2G)	617	441.8	290.9	751.5	266.2	351.1	460.5	236	419
NIMUS 352 T4 0,37kW ATEX (2G)	617	441.8	290.9	751.5	266.2	351.1	460.5	236	419
NIMUS 401 T2 3kW ATEX (2G)	689	493	326.7	837	294.3	394.6	510.5	257.5	464
NIMUS 401 T4 0,55kW ATEX (2G)	689	493	326.7	837	294.3	394.6	510.5	257.5	464
NIMUS 402 T2 4kW ATEX (2G)	689	493	326.7	837	294.3	394.6	510.5	257.5	464
NIMUS 402 T4 0,55kW ATEX (2G)	689	493	326.7	837	294.3	394.6	510.5	257.5	464
NIMUS 451 T2 7,5kW ATEX (2G)	768	549.3	366.2	937	325.4	442.5	570.5	286	523
NIMUS 451 T4 0,75kW ATEX (2G)	768	549.3	366.2	937	325.4	442.5	570.5	286	523
NIMUS 452 T2 7,5kW ATEX (2G)	768	549.3	366.2	937	325.4	442.5	570.5	286	523
NIMUS 452 T4 1,1kW ATEX (2G)	768	549.3	366.2	937	325.4	442.5	570.5	286	523

Model	F	G (±)	H	HC	J	K	M	Mot.	N
NIMUS 311 T2 1,1kW ATEX (2G)	354.5	445.4	437.5	415.5	234	205.5	79	80	278
NIMUS 311 T4 0,37kW ATEX (2G)	354.5	434.4	422.5	415.5	219	205.5	79	71	278

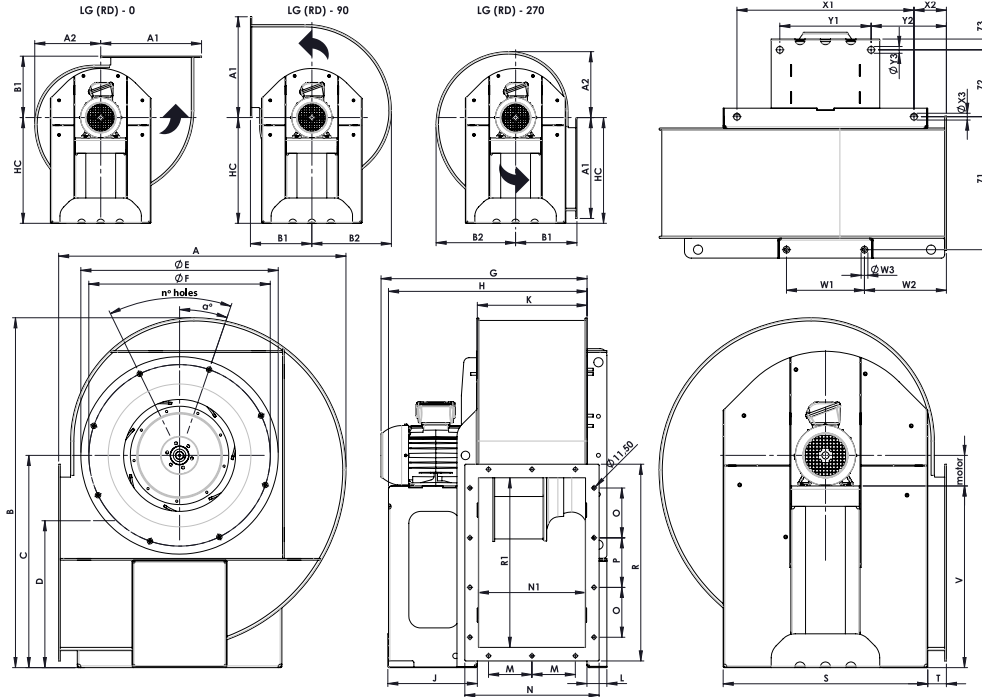
Model	F	G (±)	H	HC	J	K	M	Mot.	N
NIMUS 312 T2 1,1kW ATEX (2G)	354.5	445.4	437.5	415.5	234	205.5	79	80	278
NIMUS 312 T4 0,37kW ATEX (2G)	354.5	434.4	422.5	415.5	219	205.5	79	71	278
NIMUS 351 T2 2,2kW ATEX (2G)	394.5	516	493.5	460.5	264	231.5	92	90	304
NIMUS 351 T4 0,37kW ATEX (2G)	394.5	455	448.5	460.5	219	231.5	92	71	304
NIMUS 352 T2 2,2kW ATEX (2G)	394.5	516	493.5	460.5	264	231.5	92	90	304
NIMUS 352 T4 0,37kW ATEX (2G)	394.5	455	448.5	460.5	219	231.5	92	71	304
NIMUS 401 T2 3kW ATEX (2G)	438	590	582	510.5	324.5	259.5	106	100	332
NIMUS 401 T4 0,55kW ATEX (2G)	438	501	491.5	510.5	234	259.5	106	80	332
NIMUS 402 T2 4kW ATEX (2G)	438	606	586.5	510.5	329	259.5	106	112	332
NIMUS 402 T4 0,55kW ATEX (2G)	438	501	491.5	510.5	234	259.5	106	80	332
NIMUS 451 T2 7,5kW ATEX (2G)	485	717.5	683	570.5	393.5	291.5	112	132	364
NIMUS 451 T4 0,75kW ATEX (2G)	485	528.5	523.5	570.5	234	291.5	112	80	364
NIMUS 452 T2 7,5kW ATEX (2G)	485	717.5	683	570.5	393.5	291.5	112	132	364
NIMUS 452 T4 1,1kW ATEX (2G)	485	577.5	553.5	570.5	264	291.5	112	90	364

Model	N1	O	P	R	R1	S	T	V	X1
NIMUS 311 T2 1,1kW ATEX (2G)	198	90	95	395	315	395	43.5	335.5	314
NIMUS 311 T4 0,37kW ATEX (2G)	198	90	95	395	315	395	43.5	344.5	314
NIMUS 312 T2 1,1kW ATEX (2G)	198	90	95	395	315	395	43.5	335.5	314
NIMUS 312 T4 0,37kW ATEX (2G)	198	90	95	395	315	395	43.5	344.5	314
NIMUS 351 T2 2,2kW ATEX (2G)	224	105	105	435	355	438	47	370.5	357
NIMUS 351 T4 0,37kW ATEX (2G)	224	105	105	435	355	438	47	399.5	357
NIMUS 352 T2 2,2kW ATEX (2G)	224	105	105	435	355	438	47	370.5	357
NIMUS 352 T4 0,37kW ATEX (2G)	224	105	105	435	355	438	47	399.5	357
NIMUS 401 T2 3kW ATEX (2G)	252	120	120	480	400	487	50.5	410.5	406
NIMUS 401 T4 0,55kW ATEX (2G)	252	120	120	480	400	487	50.5	430.5	406
NIMUS 402 T2 4kW ATEX (2G)	252	120	120	480	400	487	50.5	398.5	406
NIMUS 402 T4 0,55kW ATEX (2G)	252	120	120	480	400	487	50.5	430.5	406
NIMUS 451 T2 7,5kW ATEX (2G)	284	130	130	530	450	545	53	396.5	464
NIMUS 451 T4 0,75kW ATEX (2G)	284	130	130	530	450	545	53	490.5	464
NIMUS 452 T2 7,5kW ATEX (2G)	284	130	130	530	450	545	53	396.5	464
NIMUS 452 T4 1,1kW ATEX (2G)	284	130	130	530	450	545	53	481	464

Model	X2	X3	Y1	Y2	Y3	Z1	Z2	Z3	a°
NIMUS 311 T2 1,1kW ATEX (2G)	84.3	20	269.2	106.7	20	35	167	32	22,5°
NIMUS 311 T4 0,37kW ATEX (2G)	84.3	20	269.2	106.7	20	35	152	32	22,5°
NIMUS 312 T2 1,1kW ATEX (2G)	84.3	20	269.2	106.7	20	35	167	32	22,5°
NIMUS 312 T4 0,37kW ATEX (2G)	84.3	20	269.2	106.7	20	35	152	32	22,5°
NIMUS 351 T2 2,2kW ATEX (2G)	87.7	20	269.2	131.6	20	35	197	32	22,5°
NIMUS 351 T4 0,37kW ATEX (2G)	87.7	20	269.2	131.6	20	35	152	32	22,5°

Model	X2	X3	Y1	Y2	Y3	Z1	Z2	Z3	a°
NIMUS 352 T2 2,2kW ATEX (2G)	87.7	20	269.2	131.6	20	35	197	32	22,5°
NIMUS 352 T4 0,37kW ATEX (2G)	87.7	20	269.2	131.6	20	35	152	32	22,5°
NIMUS 401 T2 3kW ATEX (2G)	91.3	20	339.8	124.4	20	35	257	32	22,5°
NIMUS 401 T4 0,55kW ATEX (2G)	91.3	20	269.2	159.7	20	35	167	32	22,5°
NIMUS 402 T2 4kW ATEX (2G)	91.3	20	339.8	124.4	20	35	262	32	22,5°
NIMUS 402 T4 0,55kW ATEX (2G)	91.3	20	269.2	159.7	20	35	167	32	22,5°
NIMUS 451 T2 7,5kW ATEX (2G)	93.4	20	369.8	140.5	20	35	327	32	22,5°
NIMUS 451 T4 0,75kW ATEX (2G)	93.4	20	269.2	191	20	35	167	32	22,5°
NIMUS 452 T2 7,5kW ATEX (2G)	93.4	20	369.8	140.5	20	35	327	32	22,5°
NIMUS 452 T4 1,1kW ATEX (2G)	93.4	20	269.2	191	20	35	197	32	22,5°

Model	n°holes
NIMUS 311 T2 1,1kW ATEX (2G)	8x45°
NIMUS 311 T4 0,37kW ATEX (2G)	8x45°
NIMUS 312 T2 1,1kW ATEX (2G)	8x45°
NIMUS 312 T4 0,37kW ATEX (2G)	8x45°
NIMUS 351 T2 2,2kW ATEX (2G)	8x45°
NIMUS 351 T4 0,37kW ATEX (2G)	8x45°
NIMUS 352 T2 2,2kW ATEX (2G)	8x45°
NIMUS 352 T4 0,37kW ATEX (2G)	8x45°
NIMUS 401 T2 3kW ATEX (2G)	8x45°
NIMUS 401 T4 0,55kW ATEX (2G)	8x45°
NIMUS 402 T2 4kW ATEX (2G)	8x45°
NIMUS 402 T4 0,55kW ATEX (2G)	8x45°
NIMUS 451 T2 7,5kW ATEX (2G)	8x45°
NIMUS 451 T4 0,75kW ATEX (2G)	8x45°
NIMUS 452 T2 7,5kW ATEX (2G)	8x45°
NIMUS 452 T4 1,1kW ATEX (2G)	8x45°



Model	A	A1	A2	B	B1	B2	C	D	E
NIMUS 501 T2 11kW ATEX (2G)	847.3	606	406	1031.52	356.6	490.7	625.62	309.6	582
NIMUS 501 T4 1,5kW ATEX (2G)	847.3	606	406	1031.52	356.6	490.7	625.62	309.6	582
NIMUS 501 T6 0,37kW ATEX (2G)	847.3	606	406	1031.52	356.6	490.7	625.62	309.6	582
NIMUS 502 T2 11kW ATEX (2G)	847.3	606	406	1031.52	356.6	490.7	625.62	309.6	582
NIMUS 502 T4 1,5kW ATEX (2G)	847.3	606	406	1031.52	356.6	490.7	625.62	309.6	582
NIMUS 502 T6 0,55kW ATEX (2G)	847.3	606	406	1031.52	356.6	490.7	625.62	309.6	582
NIMUS 561 T4 2,2kW ATEX (2G)	942.5	674	453.5	1148.6	394	548.5	695.1	341.1	650
NIMUS 561 T6 0,75kW ATEX (2G)	942.5	674	453.5	1148.6	394	548.5	695.1	341.1	650
NIMUS 562 T4 3kW ATEX (2G)	942.5	674	453.5	1148.6	394	548.5	695.1	341.1	650
NIMUS 562 T6 0,75kW ATEX (2G)	942.5	674	453.5	1148.6	394	548.5	695.1	341.1	650
NIMUS 631 T4 4kW ATEX (2G)	1053.5	753.3	509	1284	437.6	615.9	775	376.8	710
NIMUS 631 T6 1,5kW ATEX (2G)	1053.5	753.3	509	1284	437.6	615.9	775	376.8	710
NIMUS 632 T4 5,5kW ATEX (2G)	1053.5	753.3	509	1284	437.6	615.9	775	376.8	710
NIMUS 632 T6 1,5kW ATEX (2G)	1053.5	753.3	509	1284	437.6	615.9	775	376.8	710
NIMUS 711 T4 7,5kW ATEX (2G)	1180.3	843.7	572.4	1437.5	487.5	692.8	865	416.4	826
NIMUS 711 T6 2,2kW ATEX (2G)	1180.3	843.7	572.4	1437.5	487.5	692.8	865	416.4	826
NIMUS 712 T4 9,2kW ATEX (2G)	1180.3	843.7	572.4	1437.5	487.5	692.8	865	416.4	826
NIMUS 712 T6 3kW ATEX (2G)	1180.3	843.7	572.4	1437.5	487.5	692.8	865	416.4	826
NIMUS 801 T4 15kW ATEX (2G)	1323.1	945.7	643.8	1609	543.6	779.5	965	459.4	930
NIMUS 801 T6 4kW ATEX (2G)	1323.1	945.7	643.8	1609	543.6	779.5	965	459.4	930
NIMUS 801 T8 2,2kW ATEX (2G)	1323.1	945.7	643.8	1609	543.6	779.5	965	459.4	930
NIMUS 802 T4 15kW ATEX (2G)	1323.1	945.7	643.8	1609	543.6	779.5	965	459.4	930

Model	A	A1	A2	B	B1	B2	C	D	E
NIMUS 802 T6 5,5kW ATEX (2G)	1323.1	945.7	643.8	1609	543.6	779.5	965	459.4	930
NIMUS 802 T8 2,2kW ATEX (2G)	1323.1	945.7	643.8	1609	543.6	779.5	965	459.4	930
NIMUS 901 T4 30kW ATEX (2G)	1481.7	1059	723	1813	606	875.5	1090	521.2	1065
NIMUS 901 T6 7,5kW ATEX (2G)	1481.7	1059	723	1813	606	875.5	1090	521.2	1065
NIMUS 901 T8 3kW ATEX (2G)	1481.7	1059	723	1813	606	875.5	1090	521.2	1065
NIMUS 902 T4 30kW ATEX (2G)	1481.7	1059	723	1813	606	875.5	1090	521.2	1065
NIMUS 902 T6 11kW ATEX (2G)	1481.7	1059	723	1813	606	875.5	1090	521.2	1065
NIMUS 902 T8 4kW ATEX (2G)	1481.7	1059	723	1813	606	875.5	1090	521.2	1065
NIMUS 1001 T4 45kW ATEX (2G)	1640	1172	802	2002	668.2	971.8	1200	168	1172
NIMUS 1001 T6 15kW ATEX (2G)	1640	1172	802	2002	668.2	971.8	1200	168	1172
NIMUS 1001 T8 5,5kW ATEX (2G)	1640	1172	802	2002	668.2	971.8	1200	168	1172
NIMUS 1002 T4 45kW ATEX (2G)	1640	1172	802	2002	668.2	971.8	1200	168	1172
NIMUS 1002 T6 15kW ATEX (2G)	1640	1172	802	2002	668.2	971.8	1200	168	1172
NIMUS 1002 T8 5,5kW ATEX (2G)	1640	1172	802	2002	668.2	971.8	1200	168	1172

Model	F	G (±)	H	HC	J	K	L	M	Mot.
NIMUS 501 T2 11kW ATEX (2G)	535	816.8	815.5	625.5	494	323.5	59	128	160
NIMUS 501 T4 1,5kW ATEX (2G)	535	615.5	585.5	625.5	264	323.5	59	128	90
NIMUS 501 T6 0,37kW ATEX (2G)	535	566.5	555.5	625.5	234	323.5	59	128	80
NIMUS 502 T2 11kW ATEX (2G)	535	816.8	815.5	625.5	494	323.5	59	128	160
NIMUS 502 T4 1,5kW ATEX (2G)	535	615.5	585.5	625.5	264	323.5	59	128	90
NIMUS 502 T6 0,55kW ATEX (2G)	535	566.5	555.5	625.5	234	323.5	59	128	80
NIMUS 561 T4 2,2kW ATEX (2G)	608	693.5	684.9	695.1	326.5	361.5	59	147	100
NIMUS 561 T6 0,75kW ATEX (2G)	608	644.4	624.5	695.1	266	361.5	59	147	90
NIMUS 562 T4 3kW ATEX (2G)	608	693.5	684.9	695.1	326.5	361.5	59	147	100
NIMUS 562 T6 0,75kW ATEX (2G)	608	654.4	624.5	695.1	266	361.5	59	147	90
NIMUS 631 T4 4kW ATEX (2G)	675	754.8	733.5	775.1	331	405.5	59	169	112
NIMUS 631 T6 1,5kW ATEX (2G)	675	736.8	729	775.1	326.5	405.5	59	169	100
NIMUS 632 T4 5,5kW ATEX (2G)	675	835.2	798	775.1	395	405.5	59	169	132
NIMUS 632 T6 1,5kW ATEX (2G)	675	736.8	729	775.1	326.5	405.5	59	169	100
NIMUS 711 T4 7,5kW ATEX (2G)	755	876	849	865.1	395	456.5	59	184.5	132
NIMUS 711 T6 2,2kW ATEX (2G)	755	796.5	784.5	865.1	331	456.5	59	184.5	112
NIMUS 712 T4 9,2kW ATEX (2G)	755	999	949.5	865.1	496	456.5	59	184.5	160
NIMUS 712 T6 3kW ATEX (2G)	755	876	849	865.1	395	456.5	59	184.5	132
NIMUS 801 T4 15kW ATEX (2G)	845	1057.6	1005.5	965.1	496	512.5	59	202.5	160
NIMUS 801 T6 4kW ATEX (2G)	845	937.5	905	965.1	395	512.5	59	202.5	132
NIMUS 801 T8 2,2kW ATEX (2G)	845	937.5	905	965.1	395	512.5	59	202.5	132
NIMUS 802 T4 15kW ATEX (2G)	845	1057.6	1005.5	965.1	496	512.5	59	202.5	160
NIMUS 802 T6 5,5kW ATEX (2G)	845	937.5	905	965.1	395	512.5	59	202.5	132
NIMUS 802 T8 2,2kW ATEX (2G)	845	937.5	905	965.1	395	512.5	59	202.5	132

Model	F	G (±)	H	HC	J	K	L	M	Mot.
NIMUS 901 T4 30kW ATEX (2G)	987	1244.2	1158.5	1090	587	574.5	69	223.5	200
NIMUS 901 T6 7,5kW ATEX (2G)	987	1120.6	1067.5	1090	496	574.5	69	223.5	160
NIMUS 901 T8 3kW ATEX (2G)	987	997.5	967	1090	395	574.5	69	223.5	132
NIMUS 902 T4 30kW ATEX (2G)	987	1276.2	1158.5	1090	587	574.5	69	223.5	200
NIMUS 902 T6 11kW ATEX (2G)	987	1120.6	1067.5	1090	496	574.5	69	223.5	160
NIMUS 902 T8 4kW ATEX (2G)	987	1120.6	1067.5	1090	496	574.5	69	223.5	160
NIMUS 1001 T4 45kW ATEX (2G)	1093	1426	1248.5	1200	611	640.5	69	256.5	225
NIMUS 1001 T6 15kW ATEX (2G)	1093	1271.5	1169	1200	531.5	640.5	69	256.5	180
NIMUS 1001 T8 5,5kW ATEX (2G)	1093	1177.5	1133.5	1200	496	640.5	69	256.5	160
NIMUS 1002 T4 45kW ATEX (2G)	1093	1426	1248.5	1200	611	640.5	69	256.5	225
NIMUS 1002 T6 15kW ATEX (2G)	1093	1271.5	1169	1200	531.5	640.5	69	256.5	180
NIMUS 1002 T8 5,5kW ATEX (2G)	1093	1195.5	1133.5	1200	496	640.5	69	256.5	160

Model	N	N1	O	P	R	R1	S	T	V
NIMUS 501 T2 11kW ATEX (2G)	396	316	147	146	580	500	603.2	55	465.6
NIMUS 501 T4 1,5kW ATEX (2G)	396	316	147	146	580	500	603.2	55	535.6
NIMUS 501 T6 0,37kW ATEX (2G)	396	316	147	146	580	500	603.2	55	545.6
NIMUS 502 T2 11kW ATEX (2G)	396	316	147	146	580	500	603.2	55	465.6
NIMUS 502 T4 1,5kW ATEX (2G)	396	316	147	146	580	500	603.2	55	535.6
NIMUS 502 T6 0,55kW ATEX (2G)	396	316	147	146	580	500	603.2	55	545.6
NIMUS 561 T4 2,2kW ATEX (2G)	434	354	165	170	640	560	673.4	57.3	595.1
NIMUS 561 T6 0,75kW ATEX (2G)	434	354	165	170	640	560	673.4	57.3	605.1
NIMUS 562 T4 3kW ATEX (2G)	434	354	165	170	640	560	673.4	57.3	595.1
NIMUS 562 T6 0,75kW ATEX (2G)	434	354	165	170	640	560	673.4	57.3	605.1
NIMUS 631 T4 4kW ATEX (2G)	478	398	190	190	710	630	754.4	60.4	663.1
NIMUS 631 T6 1,5kW ATEX (2G)	478	398	190	190	710	630	754.4	60.4	675.1
NIMUS 632 T4 5,5kW ATEX (2G)	478	398	190	190	710	630	754.4	60.4	643.1
NIMUS 632 T6 1,5kW ATEX (2G)	478	398	190	190	710	630	754.4	60.4	675.1
NIMUS 711 T4 7,5kW ATEX (2G)	529	449	210	210	790	710	847.4	63.8	733.1
NIMUS 711 T6 2,2kW ATEX (2G)	529	449	210	210	790	710	847.4	63.8	753.1
NIMUS 712 T4 9,2kW ATEX (2G)	529	449	210	210	790	710	847.4	63.8	705.1
NIMUS 712 T6 3kW ATEX (2G)	529	449	210	210	790	710	847.4	63.8	733.1
NIMUS 801 T4 15kW ATEX (2G)	585	505	233	234	880	800	951.4	67.90	805.1
NIMUS 801 T6 4kW ATEX (2G)	585	505	233	234	880	800	951.4	67.90	833.1
NIMUS 801 T8 2,2kW ATEX (2G)	585	505	233	234	880	800	951.4	67.90	833.1
NIMUS 802 T4 15kW ATEX (2G)	585	505	233	234	880	800	951.4	67.90	805.1
NIMUS 802 T6 5,5kW ATEX (2G)	585	505	233	234	880	800	951.4	67.90	833.1
NIMUS 802 T8 2,2kW ATEX (2G)	585	505	233	234	880	800	951.4	67.90	833.1
NIMUS 901 T4 30kW ATEX (2G)	647	567	260	260	980	900	1081.4	65.2	890.1
NIMUS 901 T6 7,5kW ATEX (2G)	647	567	260	260	980	900	1081.4	65.2	930.1

Model	N	N1	O	P	R	R1	S	T	V
NIMUS 901 T8 3kW ATEX (2G)	647	567	260	260	980	900	1081.4	65.2	958.1
NIMUS 902 T4 30kW ATEX (2G)	647	567	260	260	980	900	1081.4	65.2	890.1
NIMUS 902 T6 11kW ATEX (2G)	647	567	260	260	980	900	1081.4	65.2	930.1
NIMUS 902 T8 4kW ATEX (2G)	647	567	260	260	980	900	1081.4	65.2	930.1
NIMUS 1001 T4 45kW ATEX (2G)	713	633	293	294	1080	1000	1201.4	67.5	975.1
NIMUS 1001 T6 15kW ATEX (2G)	713	633	293	294	1080	1000	1201.4	67.5	1020.1
NIMUS 1001 T8 5,5kW ATEX (2G)	713	633	293	294	1080	1000	1201.4	67.5	1040.1
NIMUS 1002 T4 45kW ATEX (2G)	713	633	293	294	1080	1000	1201.4	67.5	975.1
NIMUS 1002 T6 15kW ATEX (2G)	713	633	293	294	1080	1000	1201.4	67.5	1020.1
NIMUS 1002 T8 5,5kW ATEX (2G)	713	633	293	294	1080	1000	1201.4	67.5	1040.1

Model	W1	W2	W3	X1	X2	X3	Y1	Y2	Y3
NIMUS 501 T2 11kW ATEX (2G)	230	241.6	20	522	95.6	20	431.2	141	20
NIMUS 501 T4 1,5kW ATEX (2G)	230	241.6	20	522	95.6	20	269.2	222	20
NIMUS 501 T6 0,37kW ATEX (2G)	230	241.6	20	522	95.6	20	269.2	222	20
NIMUS 502 T2 11kW ATEX (2G)	230	241.6	20	522	95.6	20	431.2	141	20
NIMUS 502 T4 1,5kW ATEX (2G)	230	241.6	20	522	95.6	20	269.2	222	20
NIMUS 502 T6 0,55kW ATEX (2G)	230	241.6	20	522	95.6	20	269.2	222	20
NIMUS 561 T4 2,2kW ATEX (2G)	250	269	20	592	98	20	339.8	224.1	20
NIMUS 561 T6 0,75kW ATEX (2G)	250	269	20	592	98	20	269.2	259.4	20
NIMUS 562 T4 3kW ATEX (2G)	250	269	20	592	98	20	339.8	224.1	20
NIMUS 562 T6 0,75kW ATEX (2G)	250	269	20	592	98	20	269.2	259.4	20
NIMUS 631 T4 4kW ATEX (2G)	330	272.6	20	676	101.1	20	339.8	267.7	20
NIMUS 631 T6 1,5kW ATEX (2G)	330	272.6	20	676	101.1	20	339.8	267.7	20
NIMUS 632 T4 5,5kW ATEX (2G)	330	272.6	20	676	101.1	20	369.8	252.7	20
NIMUS 632 T6 1,5kW ATEX (2G)	330	272.6	20	676	101.1	20	339.8	267.7	20
NIMUS 711 T4 7,5kW ATEX (2G)	350	312.5	20	766	104.5	20	369.8	302.6	20
NIMUS 711 T6 2,2kW ATEX (2G)	350	312.5	20	766	104.5	20	339.8	302.6	20
NIMUS 712 T4 9,2kW ATEX (2G)	350	312.5	20	766	104.5	20	431.2	302.6	20
NIMUS 712 T6 3kW ATEX (2G)	350	312.5	20	766	104.5	20	369.8	302.6	20
NIMUS 801 T4 15kW ATEX (2G)	450	318.6	20	870	108.6	20	431.2	328	20
NIMUS 801 T6 4kW ATEX (2G)	450	318.6	20	870	108.6	20	369.8	358.7	20
NIMUS 801 T8 2,2kW ATEX (2G)	450	318.6	20	870	108.6	20	369.8	358.7	20
NIMUS 802 T4 15kW ATEX (2G)	450	318.6	20	870	108.6	20	431.2	328	20
NIMUS 802 T6 5,5kW ATEX (2G)	450	318.6	20	870	108.6	20	369.8	358.7	20
NIMUS 802 T8 2,2kW ATEX (2G)	450	318.6	20	870	108.6	20	369.8	358.7	20
NIMUS 901 T4 30kW ATEX (2G)	510	351	20	1000	106	20	521.2	320.3	20
NIMUS 901 T6 7,5kW ATEX (2G)	510	351	20	1000	106	20	431.2	390.3	20
NIMUS 901 T8 3kW ATEX (2G)	510	351	20	1000	106	20	369.8	421	20
NIMUS 902 T4 30kW ATEX (2G)	510	351	20	1000	106	20	521.2	320.3	20

Model	W1	W2	W3	X1	X2	X3	Y1	Y2	Y3
NIMUS 902 T6 11kW ATEX (2G)	510	351	20	1000	106	20	431.2	390.3	20
NIMUS 902 T8 4kW ATEX (2G)	510	351	20	1000	106	20	431.2	390.3	20
NIMUS 1001 T4 45kW ATEX (2G)	600	368.2	20	1120	108.2	20	571.2	382.6	20
NIMUS 1001 T6 15kW ATEX (2G)	600	368.2	20	1120	108.2	20	461.2	437.6	20
NIMUS 1001 T8 5,5kW ATEX (2G)	600	368.2	20	1120	108.2	20	431.2	452.6	20
NIMUS 1002 T4 45kW ATEX (2G)	600	368.2	20	1120	108.2	20	571.2	382.6	20
NIMUS 1002 T6 15kW ATEX (2G)	600	368.2	20	1120	108.2	20	461.2	437.6	20
NIMUS 1002 T8 5,5kW ATEX (2G)	600	368.2	20	1120	108.2	20	431.2	452.6	20

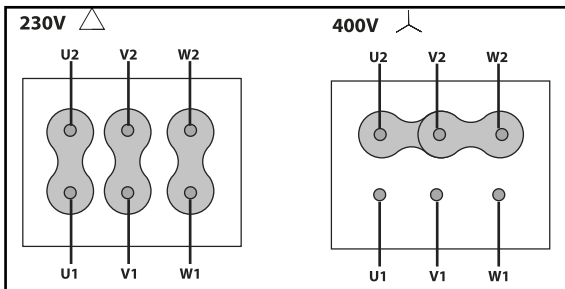
Model	Z1	Z2	Z3	a°	n°holes
NIMUS 501 T2 11kW ATEX (2G)	392	427	32	19°	8x45°
NIMUS 501 T4 1,5kW ATEX (2G)	392	197	32	19°	8x45°
NIMUS 501 T6 0,37kW ATEX (2G)	392	167	32	19°	8x45°
NIMUS 502 T2 11kW ATEX (2G)	392	427	32	19°	8x45°
NIMUS 502 T4 1,5kW ATEX (2G)	392	197	32	19°	8x45°
NIMUS 502 T6 0,55kW ATEX (2G)	392	167	32	19°	8x45°
NIMUS 561 T4 2,2kW ATEX (2G)	430.7	257	33.5	15°	12x30°
NIMUS 561 T6 0,75kW ATEX (2G)	430.7	197	33.5	15°	12x30°
NIMUS 562 T4 3kW ATEX (2G)	430.7	257	33.5	15°	12x30°
NIMUS 562 T6 0,75kW ATEX (2G)	430.7	197	33.5	15°	12x30°
NIMUS 631 T4 4kW ATEX (2G)	474.7	262	33.5	0°	12x30°
NIMUS 631 T6 1,5kW ATEX (2G)	474.7	257	33.5	0°	12x30°
NIMUS 632 T4 5,5kW ATEX (2G)	474.7	327	32.5	0°	12x30°
NIMUS 632 T6 1,5kW ATEX (2G)	474.7	257	33.5	0°	12x30°
NIMUS 711 T4 7,5kW ATEX (2G)	525.7	327	32.5	5°	16x22,5°
NIMUS 711 T6 2,2kW ATEX (2G)	525.7	262	33.5	5°	16x22,5°
NIMUS 712 T4 9,2kW ATEX (2G)	525.7	427	33.5	5°	16x22,5°
NIMUS 712 T6 3kW ATEX (2G)	525.7	327	32.5	5°	16x22,5°
NIMUS 801 T4 15kW ATEX (2G)	581.7	427	33.5	11,25°	16x22,5°
NIMUS 801 T6 4kW ATEX (2G)	581.7	327	32.5	11,25°	16x22,5°
NIMUS 801 T8 2,2kW ATEX (2G)	581.7	327	32.5	11,25°	16x22,5°
NIMUS 802 T4 15kW ATEX (2G)	581.7	427	33.5	11,25°	16x22,5°
NIMUS 802 T6 5,5kW ATEX (2G)	581.7	327	32.5	11,25°	16x22,5°
NIMUS 802 T8 2,2kW ATEX (2G)	581.7	327	32.5	11,25°	16x22,5°
NIMUS 901 T4 30kW ATEX (2G)	653.7	518	33.5	16°	16x22,5°
NIMUS 901 T6 7,5kW ATEX (2G)	653.7	427	33.5	16°	16x22,5°
NIMUS 901 T8 3kW ATEX (2G)	653.7	327	32.5	16°	16x22,5°
NIMUS 902 T4 30kW ATEX (2G)	653.7	518	33.5	16°	16x22,5°
NIMUS 902 T6 11kW ATEX (2G)	653.7	427	33.5	16°	16x22,5°
NIMUS 902 T8 4kW ATEX (2G)	653.7	427	33.5	16°	16x22,5°

Model	Z1	Z2	Z3	a°	n°holes
NIMUS 1001 T4 45kW ATEX (2G)	719.7	542	33.5	11,25°	16x22,5°
NIMUS 1001 T6 15kW ATEX (2G)	719.7	462	33.5	11,25°	16x22,5°
NIMUS 1001 T8 5,5kW ATEX (2G)	719.7	427	33.5	11,25°	16x22,5°
NIMUS 1002 T4 45kW ATEX (2G)	719.7	542	33.5	11,25°	16x22,5°
NIMUS 1002 T6 15kW ATEX (2G)	719.7	462	33.5	11,25°	16x22,5°
NIMUS 1002 T8 5,5kW ATEX (2G)	719.7	427	33.5	11,25°	16x22,5°

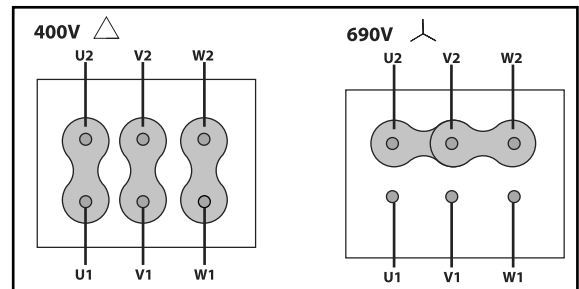
Wiring diagram

DIAGRAM N° 1

230/400V



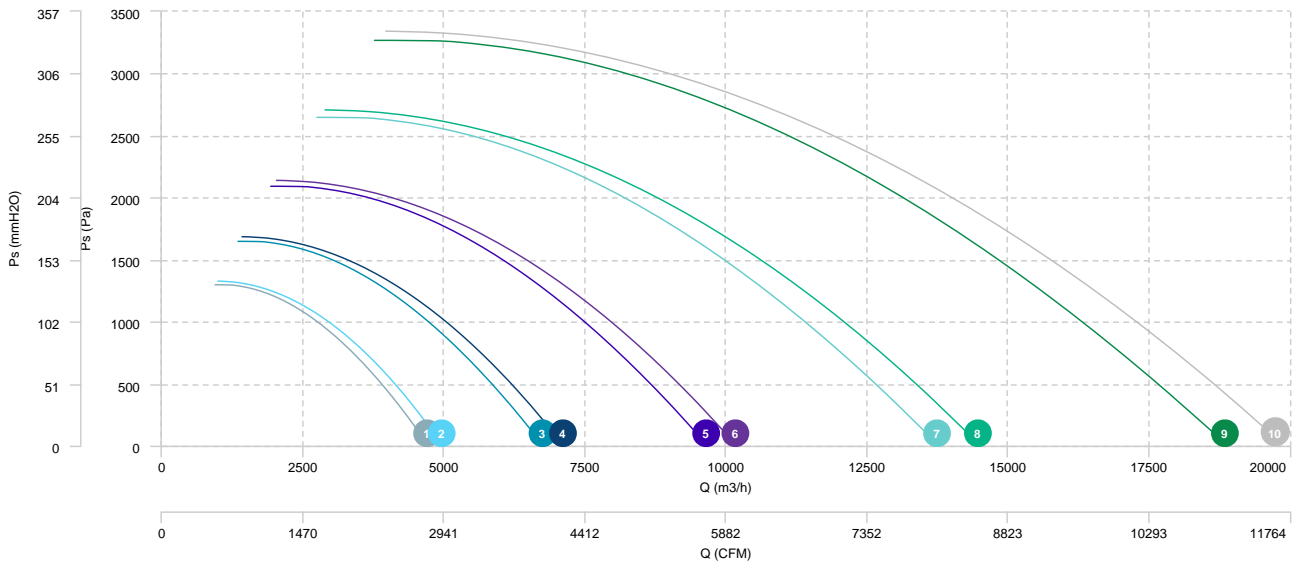
400/690V



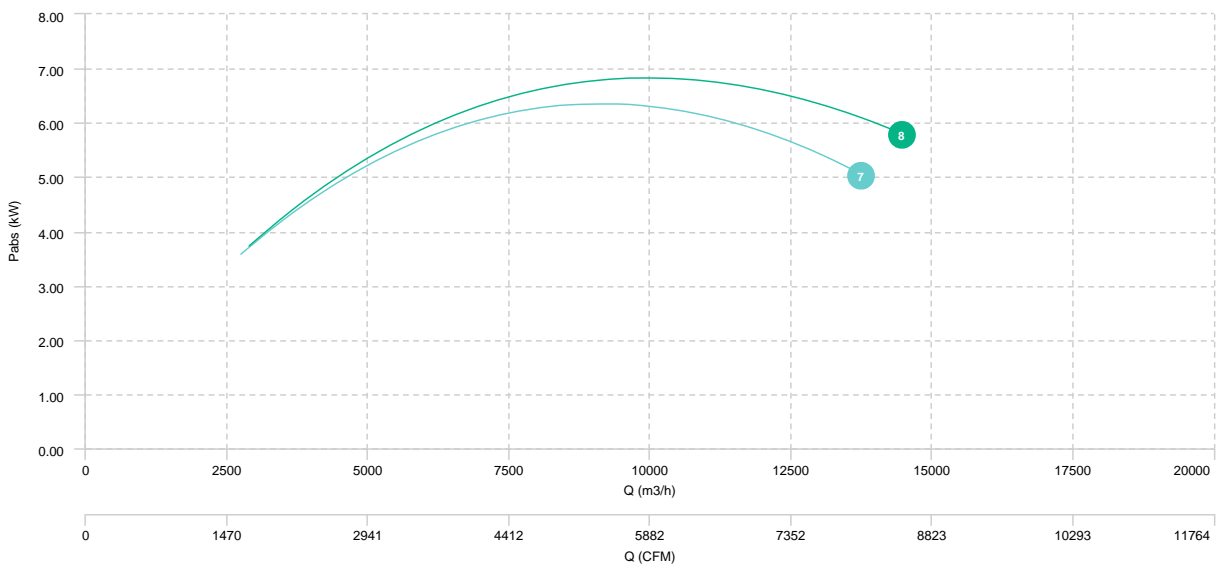
CHARACTERISTIC CURVE

1	NIMUS 311 T2 1,1kW ATEX (2G)	2	NIMUS 312 T2 1,1kW ATEX (2G)	3	NIMUS 351 T2 2,2kW ATEX (2G)	4	NIMUS 352 T2 2,2kW ATEX (2G)
5	NIMUS 401 T2 3kW ATEX (2G)	6	NIMUS 402 T2 4kW ATEX (2G)	7	NIMUS 451 T2 7,5kW ATEX (2G)	8	NIMUS 452 T2 7,5kW ATEX (2G)
9	NIMUS 501 T2 11kW ATEX (2G)	10	NIMUS 502 T2 11kW ATEX (2G)				

AIR FLOW - PRESSURE

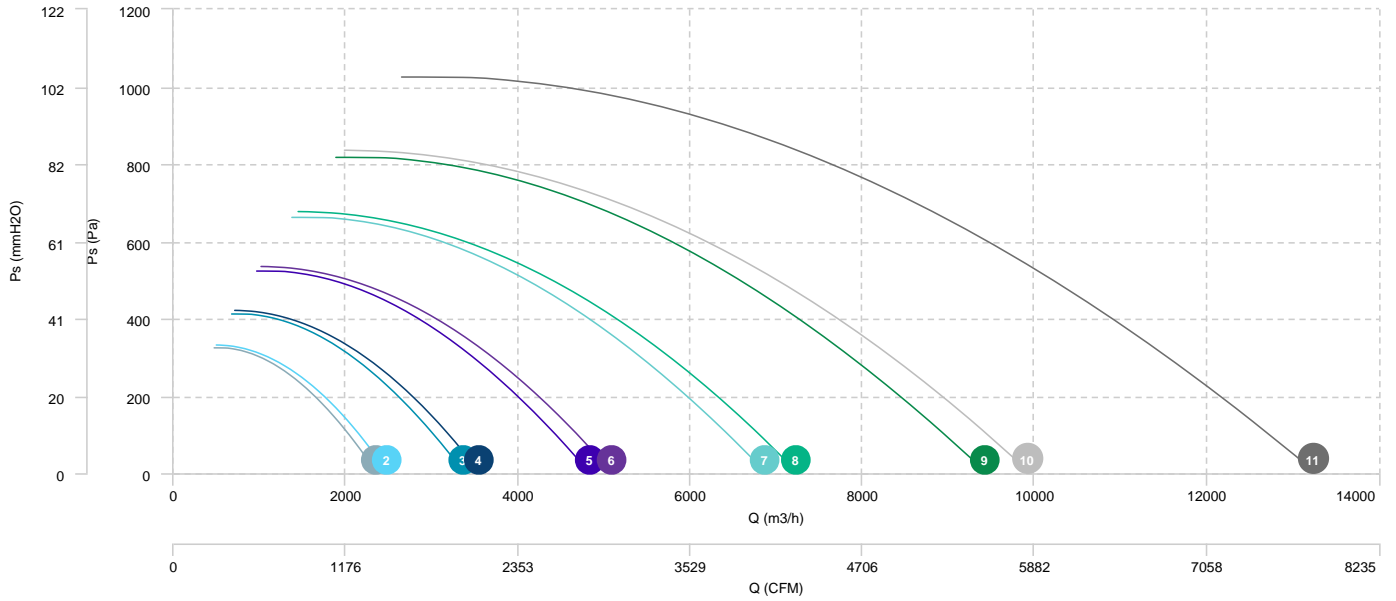


AIR FLOW - ABSORBED POWER



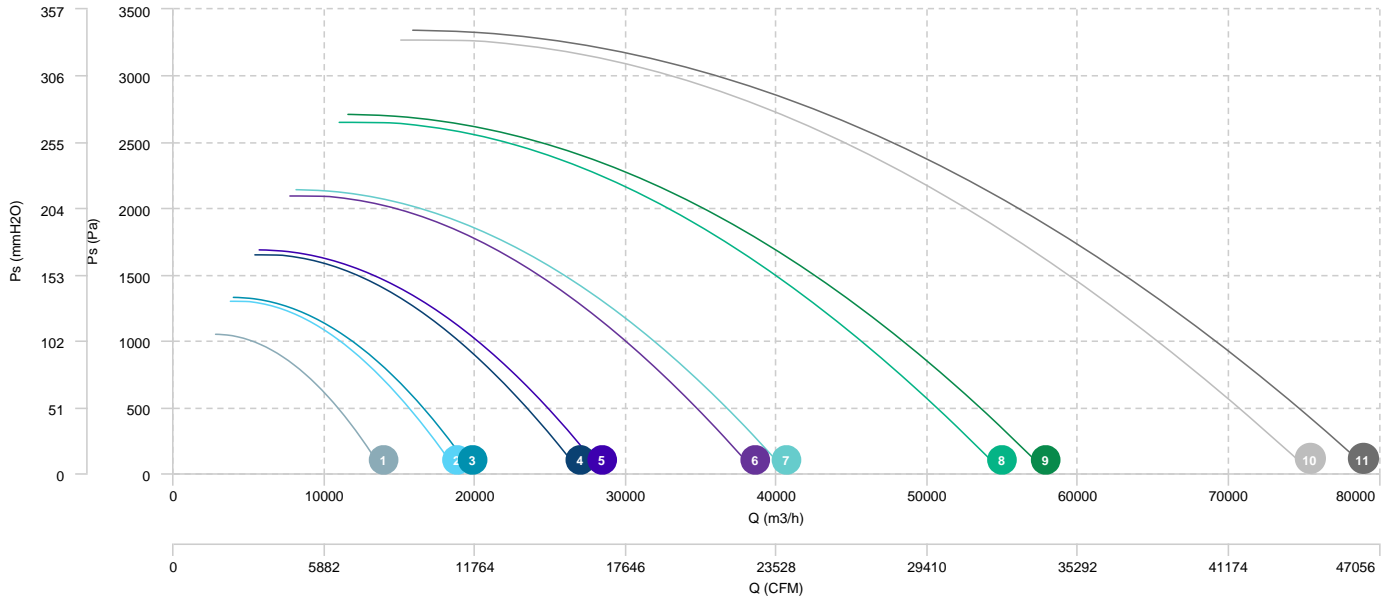
1	NIMUS 311 T4 0,37kW ATEX (2G)	2	NIMUS 312 T4 0,37kW ATEX (2G)	3	NIMUS 351 T4 0,37kW ATEX (2G)	4	NIMUS 352 T4 0,37kW ATEX (2G)
5	NIMUS 401 T4 0,55kW ATEX (2G)	6	NIMUS 402 T4 0,55kW ATEX (2G)	7	NIMUS 451 T4 0,75kW ATEX (2G)	8	NIMUS 452 T4 1,1kW ATEX (2G)
9	NIMUS 501 T4 1,5kW ATEX (2G)	10	NIMUS 502 T4 1,5kW ATEX (2G)	11	NIMUS 561 T4 2,2kW ATEX (2G)		

AIR FLOW - PRESSURE

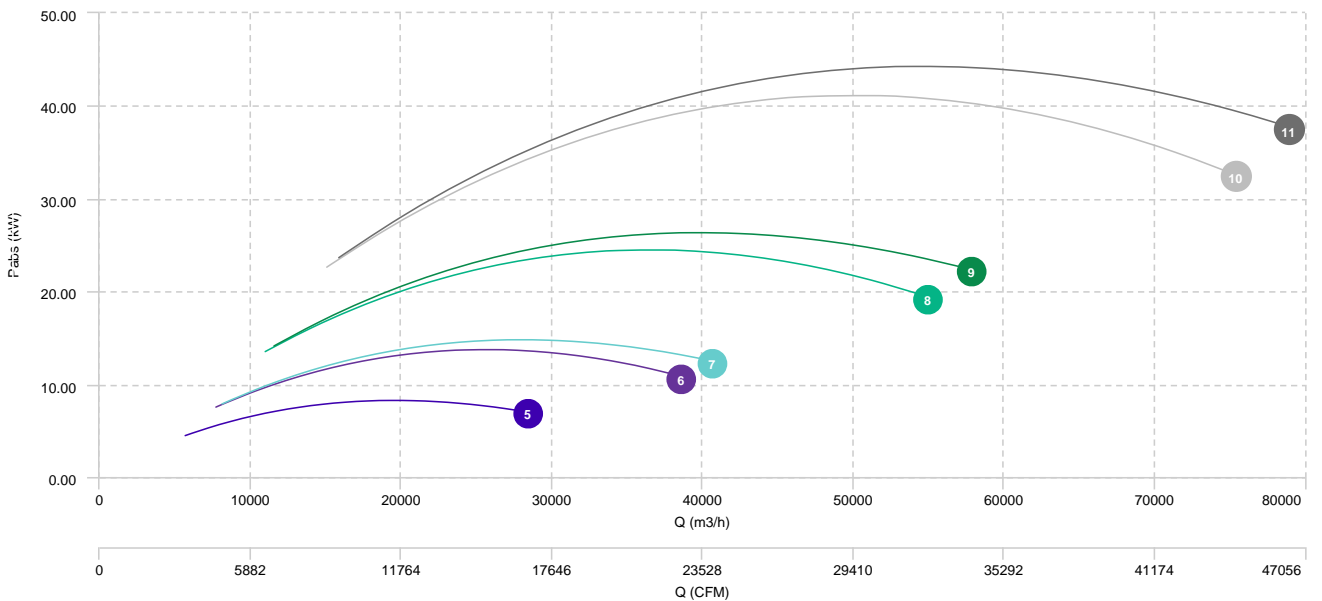


1	NIMUS 562 T4 3kW ATEX (2G)	2	NIMUS 631 T4 4kW ATEX (2G)	3	NIMUS 632 T4 5,5kW ATEX (2G)	4	NIMUS 711 T4 7,5kW ATEX (2G)
5	NIMUS 712 T4 9,2kW ATEX (2G)	6	NIMUS 801 T4 15kW ATEX (2G)	7	NIMUS 802 T4 15kW ATEX (2G)	8	NIMUS 901 T4 30kW ATEX (2G)
9	NIMUS 902 T4 30kW ATEX (2G)	10	NIMUS 1001 T4 45kW ATEX (2G)	11	NIMUS 1002 T4 45kW ATEX (2G)		

AIR FLOW - PRESSURE

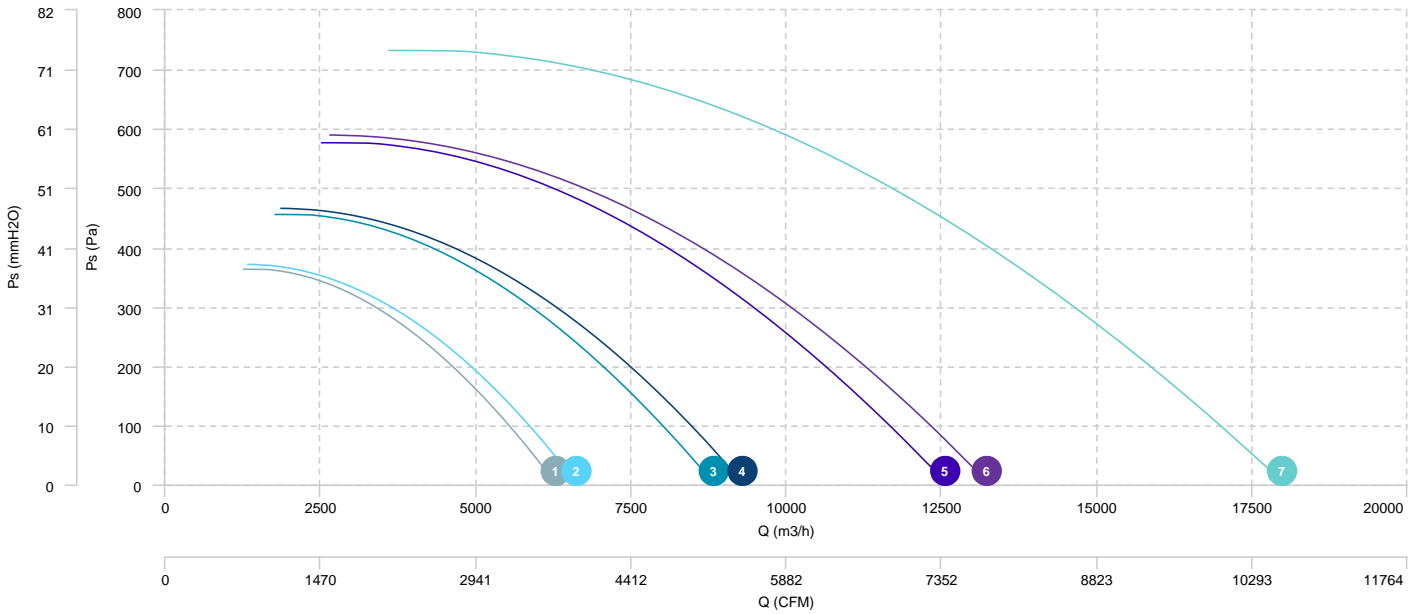


AIR FLOW - ABSORBED POWER



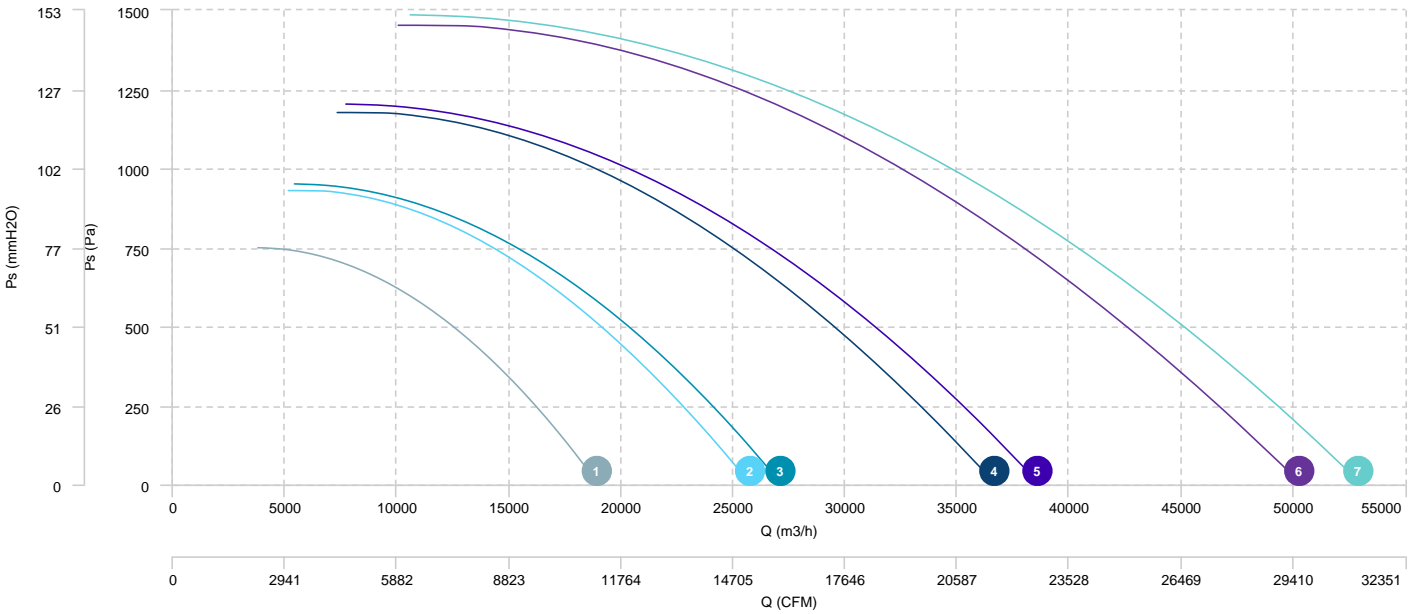
1	NIMUS 501 T6 0,37kW ATEX (2G)	2	NIMUS 502 T6 0,55kW ATEX (2G)	3	NIMUS 561 T6 0,75kW ATEX (2G)	4	NIMUS 562 T6 0,75kW ATEX (2G)
5	NIMUS 631 T6 1,5kW ATEX (2G)	6	NIMUS 632 T6 1,5kW ATEX (2G)	7	NIMUS 711 T6 2,2kW ATEX (2G)		

AIR FLOW - PRESSURE

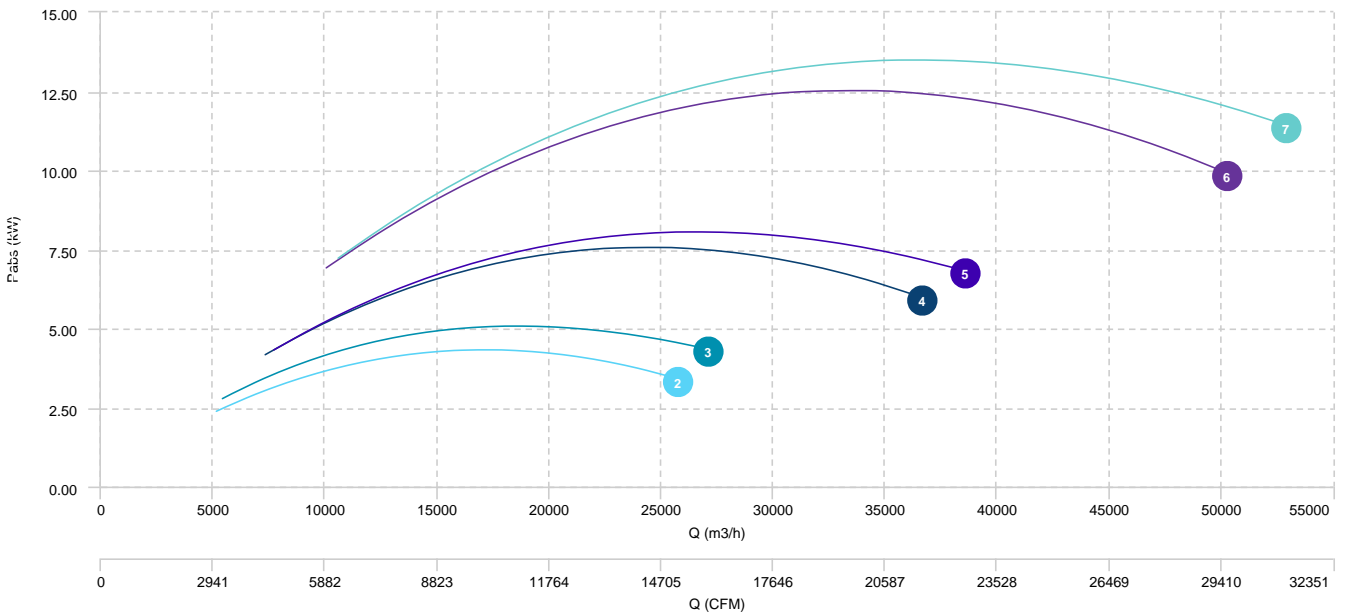


1	NIMUS 712 T6 3kW ATEX (2G)	2	NIMUS 801 T6 4kW ATEX (2G)	3	NIMUS 802 T6 5,5kW ATEX (2G)	4	NIMUS 901 T6 7,5kW ATEX (2G)
5	NIMUS 902 T6 11kW ATEX (2G)	6	NIMUS 1001 T6 15kW ATEX (2G)	7	NIMUS 1002 T6 15kW ATEX (2G)		

AIR FLOW - PRESSURE

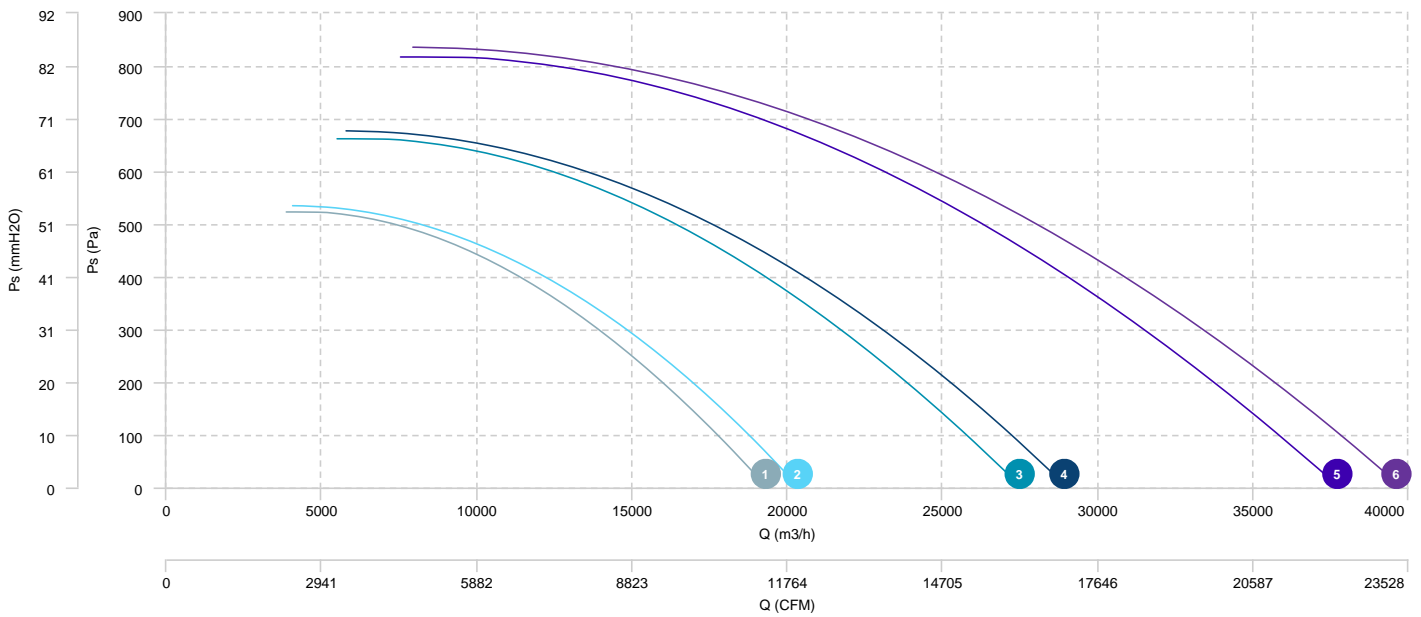


AIR FLOW - ABSORBED POWER



1	NIMUS 801 T8 2,2kW ATEX (2G)	2	NIMUS 802 T8 2,2kW ATEX (2G)	3	NIMUS 901 T8 3kW ATEX (2G)	4	NIMUS 902 T8 4kW ATEX (2G)
5	NIMUS 1001 T8 5,5kW ATEX (2G)	6	NIMUS 1002 T8 5,5kW ATEX (2G)				

AIR FLOW - PRESSURE



Sound data

Sound / 2 poles

Sound power Lw dB (A)										
Model		63 Hz	125 Hz	250 Hz	500 Hz	1000 Hz	2000 Hz	4000 Hz	8000 Hz	Total
NIMUS 311 T2 1,1kW ATEX (2G)	Inlet	80	78	75	73	71	68	65	62	84
NIMUS 312 T2 1,1kW ATEX (2G)	Inlet	81	79	76	74	72	69	66	63	85
NIMUS 351 T2 2,2kW ATEX (2G)	Inlet	84	82	79	77	75	72	69	66	88
NIMUS 352 T2 2,2kW ATEX (2G)	Inlet	85	83	80	78	76	73	70	67	89
NIMUS 401 T2 3kW ATEX (2G)	Inlet	88	86	83	81	79	76	73	70	92
NIMUS 402 T2 4kW ATEX (2G)	Inlet	89	87	84	82	80	77	74	71	93
NIMUS 451 T2 7,5kW ATEX (2G)	Inlet	91	89	86	84	82	79	76	73	95
NIMUS 452 T2 7,5kW ATEX (2G)	Inlet	92	90	87	85	83	80	77	74	96
NIMUS 501 T2 11kW ATEX (2G)	Inlet	95	93	90	88	86	83	80	77	99
NIMUS 502 T2 11kW ATEX (2G)	Inlet	95	93	90	88	86	83	80	77	99

Sound / 4 poles

Sound power Lw dB (A)										
Model		63 Hz	125 Hz	250 Hz	500 Hz	1000 Hz	2000 Hz	4000 Hz	8000 Hz	Total
NIMUS 311 T4 0,37kW ATEX (2G)	Inlet	65	63	60	58	56	53	50	47	69
NIMUS 312 T4 0,37kW ATEX (2G)	Inlet	66	64	61	59	57	54	51	48	70
NIMUS 351 T4 0,37kW ATEX (2G)	Inlet	69	67	64	62	60	57	54	51	73
NIMUS 352 T4 0,37kW ATEX (2G)	Inlet	70	68	65	63	61	58	55	52	74
NIMUS 401 T4 0,55kW ATEX (2G)	Inlet	73	71	68	66	64	61	58	55	77
NIMUS 402 T4 0,55kW ATEX (2G)	Inlet	73	71	68	66	64	61	58	55	77
NIMUS 451 T4 0,75kW ATEX (2G)	Inlet	76	74	71	69	67	64	61	58	80
NIMUS 452 T4 1,1kW ATEX (2G)	Inlet	77	75	72	70	68	65	62	59	81
NIMUS 501 T4 1,5kW ATEX (2G)	Inlet	79	77	74	72	70	67	64	61	83
NIMUS 502 T4 1,5kW ATEX (2G)	Inlet	80	78	75	73	71	68	65	62	84
NIMUS 561 T4 2,2kW ATEX (2G)	Inlet	83	81	78	76	74	71	68	65	87
NIMUS 562 T4 3kW ATEX (2G)	Inlet	84	82	79	77	75	72	69	66	88
NIMUS 631 T4 4kW ATEX (2G)	Inlet	87	85	82	80	78	75	72	69	91
NIMUS 632 T4 5,5kW ATEX (2G)	Inlet	87	85	82	80	78	75	72	69	91
NIMUS 711 T4 7,5kW ATEX (2G)	Inlet	90	88	85	83	81	78	75	72	94
NIMUS 712 T4 9,2kW ATEX (2G)	Inlet	91	89	86	84	82	79	76	73	95
NIMUS 801 T4 15kW ATEX (2G)	Inlet	94	92	89	87	85	82	79	76	98
NIMUS 802 T4 15kW ATEX (2G)	Inlet	95	93	90	88	86	83	80	77	99
NIMUS 901 T4 30kW ATEX (2G)	Inlet	97	95	92	90	88	85	82	79	101
NIMUS 902 T4 30kW ATEX (2G)	Inlet	98	96	93	91	89	86	83	80	102
NIMUS 1001 T4 45kW ATEX (2G)	Inlet	101	99	96	94	92	89	86	83	105

Sound power Lw dB (A)										
Model		63 Hz	125 Hz	250 Hz	500 Hz	1000 Hz	2000 Hz	4000 Hz	8000 Hz	Total
NIMUS 1002 T4 45kW ATEX (2G)	Inlet	101	99	96	94	92	89	86	83	105

Sound / 6 poles

Sound power Lw dB (A)										
Model		63 Hz	125 Hz	250 Hz	500 Hz	1000 Hz	2000 Hz	4000 Hz	8000 Hz	Total
NIMUS 501 T6 0,37kW ATEX (2G)	Inlet	71	69	66	64	62	59	56	53	75
NIMUS 502 T6 0,55kW ATEX (2G)	Inlet	71	69	66	64	62	59	56	53	75
NIMUS 561 T6 0,75kW ATEX (2G)	Inlet	74	72	69	67	65	62	59	56	78
NIMUS 562 T6 0,75kW ATEX (2G)	Inlet	75	73	70	68	66	63	60	57	79
NIMUS 631 T6 1,5kW ATEX (2G)	Inlet	78	76	73	71	69	66	63	60	82
NIMUS 632 T6 1,5kW ATEX (2G)	Inlet	79	77	74	72	70	67	64	61	83
NIMUS 711 T6 2,2kW ATEX (2G)	Inlet	81	79	76	74	72	69	66	63	85
NIMUS 712 T6 3kW ATEX (2G)	Inlet	82	80	77	75	73	70	67	64	86
NIMUS 801 T6 4kW ATEX (2G)	Inlet	85	83	80	78	76	73	70	67	89
NIMUS 802 T6 5,5kW ATEX (2G)	Inlet	86	84	81	79	77	74	71	68	90
NIMUS 901 T6 7,5kW ATEX (2G)	Inlet	89	87	84	82	80	77	74	71	93
NIMUS 902 T6 11kW ATEX (2G)	Inlet	89	87	84	82	80	77	74	71	93
NIMUS 1001 T6 15kW ATEX (2G)	Inlet	92	90	87	85	83	80	77	74	96
NIMUS 1002 T6 15kW ATEX (2G)	Inlet	93	91	88	86	84	81	78	75	97

Sound / 8 poles

Sound power Lw dB (A)										
Model		63 Hz	125 Hz	250 Hz	500 Hz	1000 Hz	2000 Hz	4000 Hz	8000 Hz	Total
NIMUS 801 T8 2,2kW ATEX (2G)	Inlet	78	76	73	71	69	66	63	60	82
NIMUS 802 T8 2,2kW ATEX (2G)	Inlet	79	77	74	72	70	67	64	61	83
NIMUS 901 T8 3kW ATEX (2G)	Inlet	82	80	77	75	73	70	67	64	86
NIMUS 902 T8 4kW ATEX (2G)	Inlet	82	80	77	75	73	70	67	64	86
NIMUS 1001 T8 5,5kW ATEX (2G)	Inlet	85	83	80	78	76	73	70	67	89
NIMUS 1002 T8 5,5kW ATEX (2G)	Inlet	86	84	81	79	77	74	71	68	90