

MDI



MEDIUM PRESSURE FAN WITH FORWARD IMPELLER AND IN STAINLESS STEEL CONSTRUCTION

MANUFACTURING FEATURES:

- Welded stainless steel AISI 304 housing.
- Stainless steel simple inlet forward curved impeller.
- Standard asynchronous squirrel-cage motor with IP-55 protection and Class F insulation. Manufactured with standard voltages: 230V 50Hz in single phase motors and 230/400V 50Hz in three phase motors.
- Standard orientation: LG270.

APPLICATIONS:

Designed for inline installation, they are suitable for:

- Industrial applications, extraction or injection of air.
- Cooling of machines and parts.
- Clean air transport.
- Corrosive air transport.
- Maximum working temperature: carried air: 130°C, ambient: 1ph 50°C, 3ph 60°C.

Accessories



INT



RAI



SFC

UNDER REQUEST:

- 60Hz fans and special voltages.
- 2 speed motors.
- Fans provided with cooling disk for high temperatures.
- Orientation: RD0, RD45, RD90, RD135, RD180, RD225, RD270, RD315, LG0, LG45, LG90, LG135, LG180, LG225, LG315.

Technical data

Single-phase motor / 2 poles

Code	Model	R.P.M.	Rated I. (A) 230V	Rated power kW	Max. Airflow m3/h	Sound db (A)*	Weight	Connect. diagram
300716100	MDI 10/5 M2 0,09kW	2850	0,75	0,09	270	-	2,40	1
300716400	MDI 13/6 M2 0,18kW	2850	1,42	0,18	560	-	5,30	1
300716600	MDI 13/8 M2 0,25kW	2850	1,87	0,25	740	-	9,40	1
300716700	MDI 16/8 M2 0,37kW	2850	2,61	0,37	1.100	-	6,20	1
300716900	MDI 18/8 M2 0,55kW	2850	3,71	0,55	1.380	-	10,20	1
300717100	MDI 20/10 M2 1,1kW	2850	6,71	1,10	2.510	-	19	1
300717500	MDI 25/13 M2 2,2kW	2850	13,67	2,20	5.060	-	11	1

Single-phase motor / 4 poles

Code	Model	R.P.M.	Rated I. (A) 230V	Rated power kW	Max. Airflow m3/h	Sound db (A)*	Weight	Connect. diagram
300716300	MDI 13/6 M4 0,12kW	1450	1,15	0,12	260	-	4,90	1
300716500	MDI 13/8 M4 0,12kW	1450	1,15	0,12	330	-	5,80	1
300716800	MDI 16/8 M4 0,18kW	1450	1,55	0,18	520	-	9	1
300717000	MDI 18/8 M4 0,25kW	1450	1,93	0,25	660	-	9,70	1
300717200	MDI 20/10 M4 0,25kW	1450	1,93	0,25	1.210	-	11	1
300717300	MDI 25/13 M4 0,55kW	1450	3,98	0,55	2.600	-	24	1

Three-phase motor / 2 poles

Code	Model	R.P.M.	Rated I. (A) 400V	Rated power kW	Max. Airflow m3/h	Sound db (A)*	Weight	Connect. diagram
300717600	MDI 10/5 T2 0,09kW	2850	0,32	0,09	270	-	2,40	2
300717800	MDI 13/6 T2 0,18kW	2850	0,51	0,18	560	-	5,30	2
300718100	MDI 13/8 T2 0,25kW	2850	0,65	0,25	740	-	9,40	2
300718200	MDI 16/8 T2 0,37kW	2850	0,91	0,37	1.100	-	6,20	2
300718400	MDI 18/8 T2 0,55kW	2850	1,29	0,55	1.380	-	10,20	2
300718600	MDI 20/10 T2 1,1kW	2850	2,55	1,10	2.510	-	19	2
300718800	MDI 25/13 T2 2,2kW	2850	4,98	2,20	5.060	-	32	2

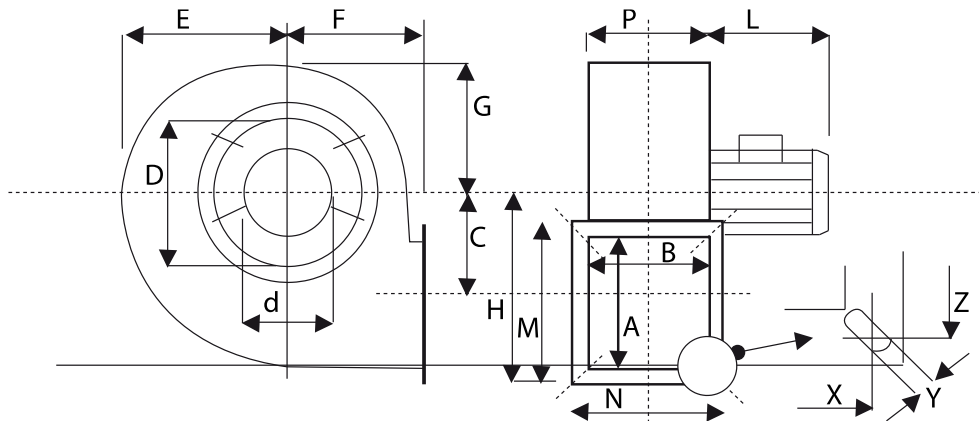
Three-phase motor / 4 poles



Code	Model	R.P.M.	Rated I. (A) 400V	Rated power kW	Max. Airflow m3/h	Sound db (A)*	Weight	Connect. diagram
300717900	MDI 13/6 T4 0,12kW	1450	0,46	0,12	260	-	4,90	2
300718000	MDI 13/8 T4 0,12kW	1450	0,46	0,12	330	-	5,80	2
300718300	MDI 16/8 T4 0,18kW	1450	0,62	0,18	520	-	9	2
300718500	MDI 18/8 T4 0,25kW	1450	0,79	0,25	660	-	9,70	2
300718700	MDI 20/10 T4 0,25kW	1450	0,79	0,25	1.210	-	11	2
300718900	MDI 25/13 T4 0,55kW	1450	1,49	0,55	2.600	-	24	2

Notes:
 * Total sound pressure level at the point of maximum flow measured in dB(A) in the suction measured in free field at a distance of 6m from the source

Dimensions



Model	A	B	C	D	E	F	G	H	L
MDI 10/5 M2 0,09kW	70	70	65	115	90	80	77	120	165
MDI 10/5 T2 0,09kW	70	70	65	115	90	80	77	120	165
MDI 13/6 M2 0,18kW	90	90	92	158	125	104	110	160	190
MDI 13/6 M4 0,12kW	90	90	92	158	125	104	110	160	190
MDI 13/6 T2 0,18kW	90	90	92	158	125	104	110	160	190
MDI 13/6 T4 0,12kW	90	90	92	158	125	104	110	160	190
MDI 13/8 M2 0,25kW	90	110	92	158	125	104	110	160	190
MDI 13/8 M4 0,12kW	90	110	92	158	125	104	110	160	190
MDI 13/8 T2 0,25kW	90	110	92	158	125	104	110	160	190
MDI 13/8 T4 0,12kW	90	110	92	158	125	104	110	160	190
MDI 16/8 M2 0,37kW	110	110	115	182	158	120	134	192,5	215
MDI 16/8 M4 0,18kW	110	110	115	182	158	120	134	195	190
MDI 16/8 T2 0,37kW	110	110	115	182	158	120	134	192,5	215
MDI 16/8 T4 0,18kW	110	110	115	182	158	120	134	195	190
MDI 18/8 M2 0,55kW	110	110	115	200	158	120	134	195	215
MDI 18/8 M4 0,25kW	110	110	115	200	158	120	134	195	190
MDI 18/8 T2 0,55kW	110	110	115	200	158	120	134	195	215
MDI 18/8 T4 0,25kW	110	110	115	200	158	120	134	195	190
MDI 20/10 M2 1,1kW	140	140	145	220	190	155	160	240	250
MDI 20/10 M4 0,25kW	140	140	145	220	190	155	160	240	190
MDI 20/10 T2 1,1kW	140	140	145	220	190	155	160	240	250
MDI 20/10 T4 0,25kW	140	140	145	220	190	155	160	240	190
MDI 25/13 M2 2,2kW	200	200	185	280	245	180	200	310	230
MDI 25/13 M4 0,55kW	200	200	185	280	245	180	200	310	230
MDI 25/13 T2 2,2kW	200	200	185	280	245	180	200	310	230
MDI 25/13 T4 0,55kW	200	200	185	280	245	180	200	310	230

Model	M	N	P	X	Y	Z	d
MDI 10/5 M2 0,09kW	100	100	72	85	7X14	85	75
MDI 10/5 T2 0,09kW	100	100	72	85	7X14	85	75
MDI 13/6 M2 0,18kW	130	130	92	110	9X16	110	101
MDI 13/6 M4 0,12kW	130	130	92	110	9X16	110	101
MDI 13/6 T2 0,18kW	130	130	92	110	9X16	110	101
MDI 13/6 T4 0,12kW	130	130	92	110	9X16	110	101
MDI 13/8 M2 0,25kW	130	150	112	130	9X16	110	101
MDI 13/8 M4 0,12kW	130	150	112	130	9X16	110	101
MDI 13/8 T2 0,25kW	130	150	112	130	9x16	110	101
MDI 13/8 T4 0,12kW	130	150	112	130	9X16	110	101
MDI 16/8 M2 0,37kW	155	150	114	133	9x16	133	120
MDI 16/8 M4 0,18kW	155	155	114	133	9x16	133	120
MDI 16/8 T2 0,37kW	155	150	114	133	9x16	133	120
MDI 16/8 T4 0,18kW	155	155	114	133	9x16	133	120
MDI 18/8 M2 0,55kW	155	155	114	133	9X16	133	140
MDI 18/8 M4 0,25kW	155	155	114	133	9X16	133	140
MDI 18/8 T2 0,55kW	155	155	114	133	9X16	133	140
MDI 18/8 T4 0,25kW	155	155	114	133	9X16	133	140
MDI 20/10 M2 1,1kW	190	190	144	165	9X16	165	170
MDI 20/10 M4 0,25kW	190	190	144	165	9X16	165	170
MDI 20/10 T2 1,1kW	190	190	144	165	9X16	165	170
MDI 20/10 T4 0,25kW	190	190	144	165	9X16	165	170
MDI 25/13 M2 2,2kW	250	250	204	230	9	230	250
MDI 25/13 M4 0,55kW	250	250	204	230	9	230	250
MDI 25/13 T2 2,2kW	250	250	204	230	9	230	250
MDI 25/13 T4 0,55kW	250	250	204	230	9	230	250

Wiring diagram

DIAGRAM Nº 1

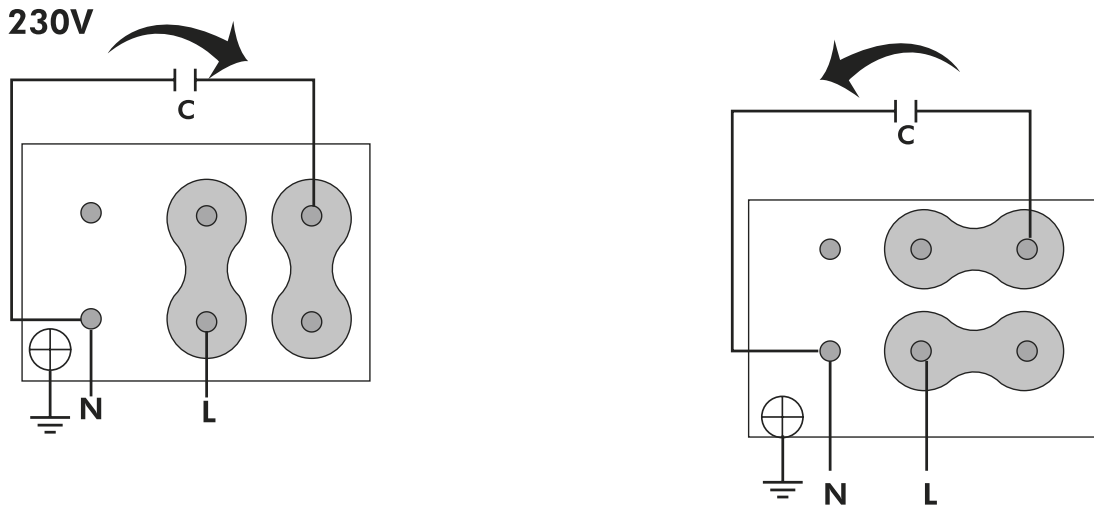
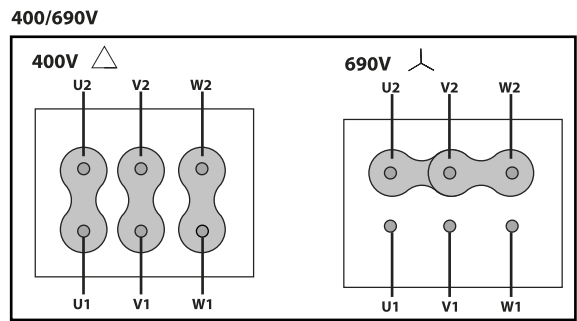
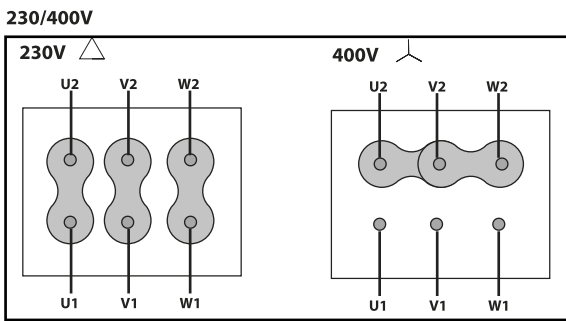


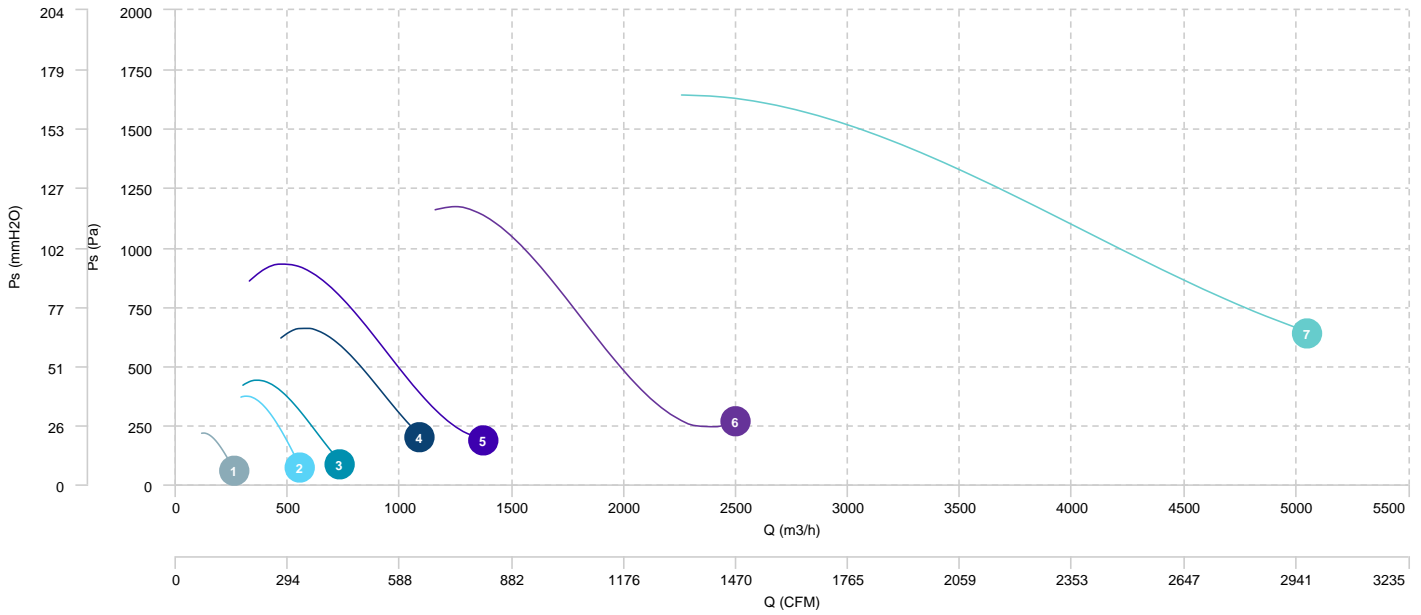
DIAGRAM Nº 2



CHARACTERISTIC CURVE

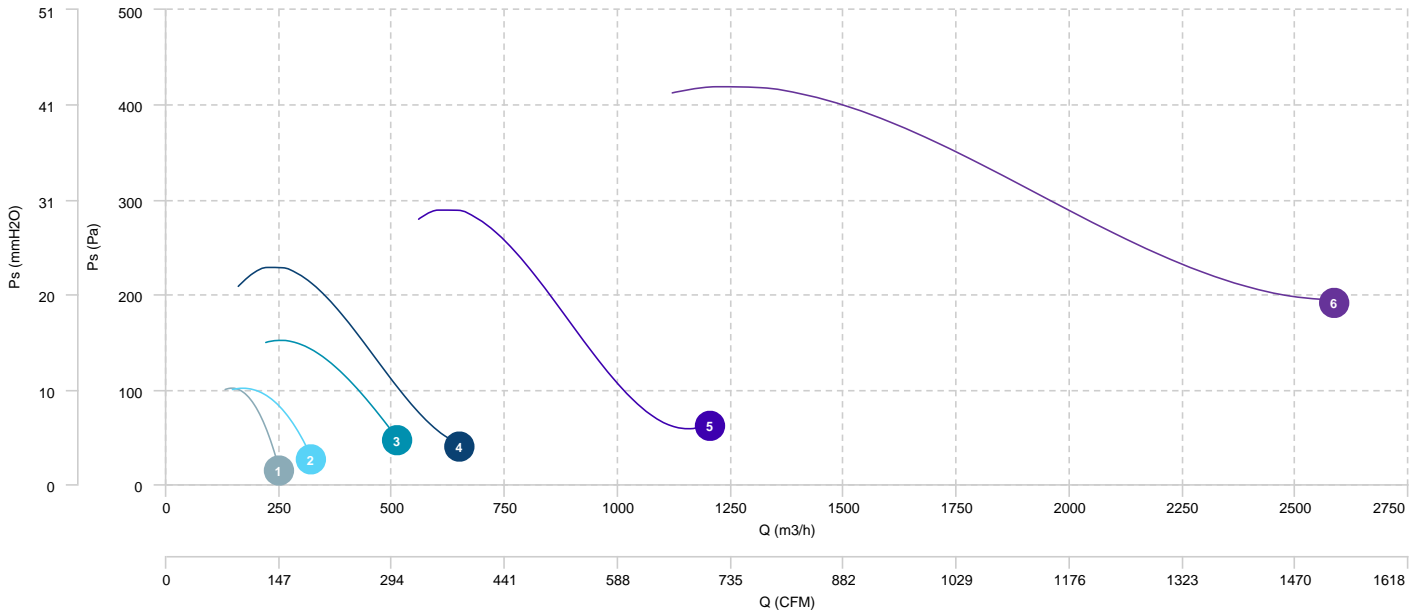
1	MDI 10/5 M2 0,09kW	2	MDI 13/6 M2 0,18kW	3	MDI 13/8 M2 0,25kW	4	MDI 16/8 M2 0,37kW
5	MDI 18/8 M2 0,55kW	6	MDI 20/10 M2 1,1kW	7	MDI 25/13 M2 2,2kW		

AIR FLOW - PRESSURE



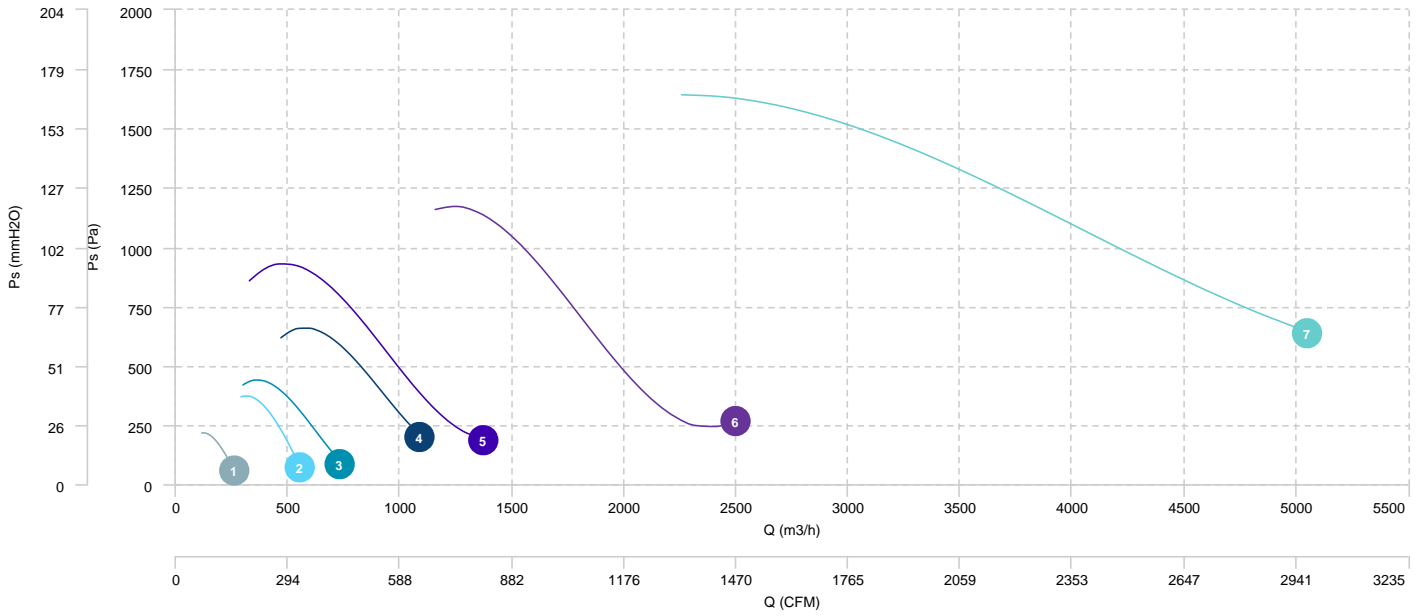
1	MDI 13/6 M4 0,12kW	2	MDI 13/8 M4 0,12kW	3	MDI 16/8 M4 0,18kW	4	MDI 18/8 M4 0,25kW
5	MDI 20/10 M4 0,25kW	6	MDI 25/13 M4 0,55kW				

AIR FLOW - PRESSURE



1	MDI 10/5 T2 0,09kW	2	MDI 13/6 T2 0,18kW	3	MDI 13/8 T2 0,25kW	4	MDI 16/8 T2 0,37kW
5	MDI 18/8 T2 0,55kW	6	MDI 20/10 T2 1,1kW	7	MDI 25/13 T2 2,2kW		

AIR FLOW - PRESSURE



1	MDI 13/6 T4 0,12kW	2	MDI 13/8 T4 0,12kW	3	MDI 16/8 T4 0,18kW	4	MDI 18/8 T4 0,25kW
5	MDI 20/10 T4 0,25kW	6	MDI 25/13 T4 0,55kW				

AIR FLOW - PRESSURE

