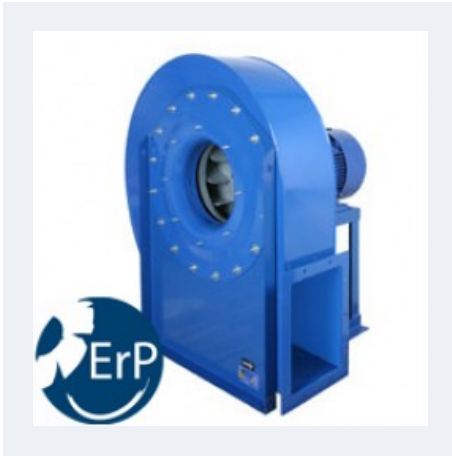


MBRM



MEDIUM PRESSURE WITH BACKWARD IMPELLER

MANUFACTURING FEATURES:

- ?• Fan made of Fe360 sheet. The fan paint finish is based on a Qualicoat polyester powder coating stoved at 200°C, with an average film thickness of 70 microns. Average heat resistance of coating is 180°C with peaks of 200°C.
- Fully welded or joined housing.
- ?• High efficiency simple inlet backward curved impeller made of Fe360 sheet statically and dynamically balanced. Impellers are painted with epoxy primer that resists temperatures up to 300°C.
- Standard asynchronous squirrel-cage motor with IP-55 protection and rated class F insulation. Manufactured with standard voltages: 230V 50Hz for single phase motors, 230/400V 50Hz for three phase motors up to 4kW and 400/690V 50Hz for higher powers.
- Standard orientation LG270.
- It allows adjusting the orientation locally from models 220 to 630. Models sizes from 710 to 1400 size the orientation is fixed.

APPLICATIONS:

- Designed for inline installation, they are suitable for:
- Industrial applications, extraction or injection of air.
 - Cooling of machines and parts.
 - Clean and slightly dusty air transport.
 - Dusty air and small loads of pellet materials transport.
 - Exhaust after filters, separators and cyclones.
 - Pneumatic transport.
 - Maximum working temperature: carried air: 130°C, ambient: 60°C.

UNDER REQUEST:

- 60Hz fans and special voltages.
- 2 speed motors.
- Spark-proof fans with ATEX certified motor.
- Fan for air working temperatures up to 250°C with R/R (cooling impeller).
- Hot-dipped galvanised or stainless steel fans.
- Orientation: RD0, RD45, RD90, RD135, RD180, RD225, RD270, RD315, LG0, LG45, LG90, LG135, LG180. LG225, LG315.

Accessories



AC



BAD



EI



FILTRO
EMC



INT



JE-45



RA



RI



SFC

Technical data

Three-phase motor / 2 poles

Code	Model	R.P.M.	Rated I. (A) 400V	Rated power kW	Max. Airflow m3/h	Sound db (A)*	Weight	Connect. diagram
501802213	MBRM 220 T2 0,18kW	2800	0,51	0,18	790	47	18	1
501802514	MBRM 251 T2 0,25kW	2800	0,65	0,25	1.080	49	24	1
501802515	MBRM 252 T2 0,37kW	2800	0,91	0,37	1.370	50	26	1
501802816	MBRM 281 T2 0,55kW	2800	1,29	0,55	1.620	52	30	1
501802817	MBRM 282 T2 0,75kW	2800	1,58	0,75	1.800	54	35	1
501803118	MBRM 311 T2 1,1kW	2800	2,33	1,10	2.520	56	42	1
501803119	MBRM 312 T2 1,5kW	2800	3,14	1,50	2.520	57	45	1
501803519	MBRM 351 T2 1,5kW	2800	3,14	1,50	2.160	54	66	1
501803527	MBRM 352 T2 2,2kW	2800	4,58	2,20	3.960	59	70	1
501804029	MBRM 401 T2 3kW	2870	5,92	3	5.400	63	85	1
501804032	MBRM 402 T2 4kW	2890	7,63	4	6.120	63	93	1
501804534	MBRM 451 T2 5,5kW	2900	10,6	5,50	7.920	66	115	1
501804536	MBRM 452 T2 7,5kW	2900	14,1	7,50	7.920	66	118	1
501805021	MBRM 501 T2 11kW	2930	20,8	11	10.800	69	175	1
501805024	MBRM 502 T2 15kW	2930	27,4	15	10.800	70	180	1
501805626	MBRM 561 T2 18,5kW	2935	34,4	18,50	16.200	72	220	1
501805628	MBRM 562 T2 22kW	2940	39,8	22	16.200	72	276	1

Three-phase motor / 4 poles

Code	Model	R.P.M.	Rated I. (A) 400V	Rated power kW	Max. Airflow m3/h	Sound db (A)*	Weight	Connect. diagram
501805045	MBRM 503 T4 1,1kW	1400	2,49	1,10	4.680	55	100	1
501805046	MBRM 504 T4 1,5kW	1400	3,26	1,50	5.400	56	106	1
501805654	MBRM 563 T4 2,2kW	1430	4,64	2,20	7.200	58	128	1
501805656	MBRM 564 T4 3kW	1430	6,17	3	7.920	59	136	1
501806359	MBRM 631 T4 4kW	1440	8,32	4	10.080	61	190	1
501806361	MBRM 632 T4 5,5kW	1440	10,5	5,50	10.800	63	205	1
501807163	MBRM 711 T4 7,5kW	1440	14,1	7,50	14.400	64	287	1
501807149	MBRM 712 T4 11kW	1460	21,2	11	18.000	65	338	1
501808052	MBRM 801 T4 15kW	1460	29,8	15	21.600	67	504	1
501808053	MBRM 802 T4 18,5kW	1465	35,6	18,50	25.200	68	512	1
501809057	MBRM 901 T4 30kW	1475	56,3	30	32.400	70	684	1
501809058	MBRM 902 T4 37kW	1475	69,2	37	32.400	71	767	1
501810060	MBRM 1001 T4 45kW	1475	80,7	45	43.200	72	963	1

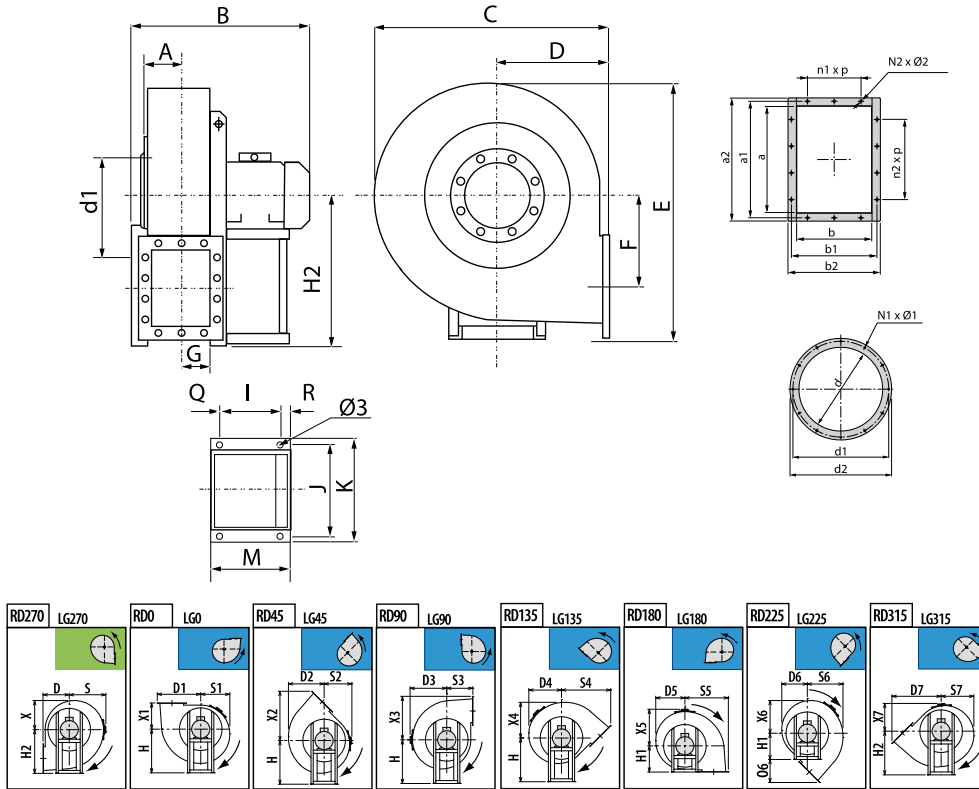
Code	Model	R.P.M.	Rated I. (A) 400V	Rated power kW	Max. Airflow m3/h	Sound db (A)*	Weight	Connect. diagram
501810062	MBRM 1002 T4 55kW	1480	97,1	55	46.800	74	1.081	1
501811264	MBRM 1121 T4 75kW	1480	133	75	61.200	75	1.445	1
501811266	MBRM 1122 T4 90kW	1485	158	90	68.400	77	1.486	1

Three-phase motor / 6 poles

Code	Model	R.P.M.	Rated I. (A) 400V	Rated power kW	Max. Airflow m3/h	Sound db (A)*	Weight	Connect. diagram
501808083	MBRM 803 T6 4kW	960	9,46	4	14.400	59	391	1
501808085	MBRM 804 T6 5,5kW	960	12,8	5,50	16.200	60	395	1
501809087	MBRM 903 T6 7,5kW	965	15,2	7,50	21.600	62	511	1
501809075	MBRM 904 T6 11kW	970	22,6	11	21.600	64	531	1
501810076	MBRM 1003 T6 15kW	970	27,7	15	28.800	65	743	1
501810077	MBRM 1004 T6 18,5kW	975	35,7	18,50	32.400	66	850	1
501811279	MBRM 1123 T6 22kW	975	42,3	22	39.600	66	955	1
501811281	MBRM 1124 T6 30kW	980	54,4	30	46.800	68	1.156	1
501812582	MBRM 1251 T6 37kW	980	66,8	37	54.000	70	1.430	1
501812584	MBRM 1252 T6 45kW	980	84,8	45	61.200	71	1.915	1
501814086	MBRM 1401 T6 55kW	980	102	55	76.500	73	1.850	1
501814088	MBRM 1402 T6 75kW	985	138	75	86.400	74	2.346	1

Notes:
 * Total sound pressure level at the point of maximum flow measured in dB(A) in the suction measured in free field at a distance of 6m from the source

Dimensions



Model	A	B	C	D	D1	D2	D3	D4	D5
MBRM 220 T2 0,18kW	62	325	360	165	232	200	226	190	175
MBRM 251 T2 0,25kW	86	380	441	195	314	255	276	235	212
MBRM 252 T2 0,37kW	86	400	441	195	314	255	276	235	212
MBRM 281 T2 0,55kW	95	420	477	200	353	287	305	262	231
MBRM 282 T2 0,75kW	95	440	477	200	353	287	305	262	231
MBRM 311 T2 1,1kW	105	460	527	225	393	316	332	288	256
MBRM 312 T2 1,5kW	105	480	527	225	393	316	332	288	256
MBRM 351 T2 1,5kW	115	500	600	255	437	359	375	325	288
MBRM 352 T2 2,2kW	115	530	600	255	437	359	375	325	288
MBRM 401 T2 3kW	127	590	655	285	487	387	400	353	311
MBRM 402 T2 4kW	127	630	655	285	487	387	400	353	311
MBRM 451 T2 5,5kW	141	670	735	320	542	435	445	398	354
MBRM 452 T2 7,5kW	141	670	735	320	542	435	445	398	354
MBRM 501 T2 11kW	157	830	832	360	597	490	502	450	400
MBRM 502 T2 15kW	157	830	832	360	597	490	502	450	400
MBRM 503 T4 1,1kW	157	580	832	360	597	490	502	450	400
MBRM 504 T4 1,5kW	157	615	832	360	597	490	502	450	400

Model	D6	D7	E	F	G	H	H1	H2	I
MBRM 220 T2 0,18kW	190	280	425	150	55	255	165	255	86
MBRM 251 T2 0,25kW	215	360	526	175	76	315	195	315	86
MBRM 252 T2 0,37kW	215	360	526	175	76	315	195	315	121
MBRM 281 T2 0,55kW	226	391	610	202	86	375	200	375	121
MBRM 282 T2 0,75kW	226	391	610	202	86	375	200	375	121
MBRM 311 T2 1,1kW	253	437	658	229	96	400	225	400	121
MBRM 312 T2 1,5kW	253	437	658	229	96	400	225	400	133
MBRM 351 T2 1,5kW	278	489	740	253	107	450	255	450	133
MBRM 352 T2 2,2kW	278	489	740	253	107	450	255	450	133
MBRM 401 T2 3kW	306	546	815	286	118	500	285	500	197
MBRM 402 T2 4kW	306	546	815	286	118	500	285	500	197
MBRM 451 T2 5,5kW	342	609	915	321	131	560	320	560	237
MBRM 452 T2 7,5kW	342	609	915	321	131	560	320	560	237
MBRM 501 T2 11kW	380	677	1000	355	148	600	360	600	337
MBRM 502 T2 15kW	380	677	1000	355	148	600	360	600	337
MBRM 503 T4 1,1kW	380	677	1000	355	148	600	360	600	133
MBRM 504 T4 1,5kW	380	677	1000	355	148	600	360	600	133

Model	J	K	M	N1xØ1	N2xØ2	O6	Q	R	S
MBRM 220 T2 0,18kW	184	206	145	4x4	4x8	115	45	14	226
MBRM 251 T2 0,25kW	184	206	145	8x8	8x12	165	45	14	276
MBRM 252 T2 0,37kW	203	225	180	8x8	8x12	165	45	23	276
MBRM 281 T2 0,55kW	203	225	189	8x8	8x12	191	45	23	305
MBRM 282 T2 0,75kW	203	225	211	8x8	8x12	191	45	45	305
MBRM 311 T2 1,1kW	203	225	211	8x8	10x12	212	45	45	332
MBRM 312 T2 1,5kW	234	260	246	8x8	10x12	212	55	58	332
MBRM 351 T2 1,5kW	234	260	246	8x10	10x12	234	55	58	375
MBRM 352 T2 2,2kW	234	260	246	8x10	10x12	234	55	58	375
MBRM 401 T2 3kW	289	324	276	8x12	10x12	261	30	49	400
MBRM 402 T2 4kW	289	324	276	8x12	10x12	261	30	49	400
MBRM 451 T2 5,5kW	337	372	336	8x12	10x12	289	40	59	445
MBRM 452 T2 7,5kW	337	372	336	8x12	10x12	289	40	59	445
MBRM 501 T2 11kW	395	440	436	8x12	14x12	317	50	49	502
MBRM 502 T2 15kW	395	440	436	8x12	14x12	317	50	49	502
MBRM 503 T4 1,1kW	234	260	246	8x12	14x12	317	55	58	502
MBRM 504 T4 1,5kW	234	260	246	8x12	14x12	317	55	58	502

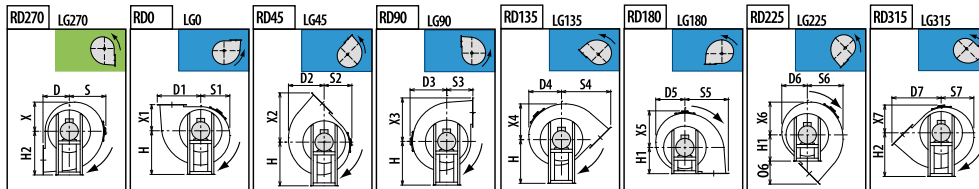
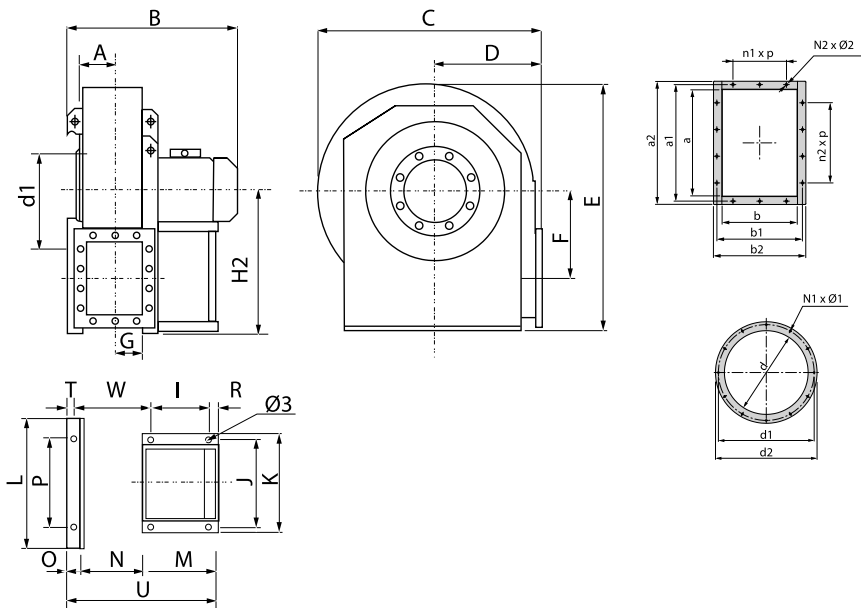
Model	S1	S2	S3	S4	S5	S6	S7	X	X1
MBRM 220 T2 0,18kW	175	190	165	280	232	200	190	175	165
MBRM 251 T2 0,25kW	212	215	195	360	314	255	235	212	195

Model	S1	S2	S3	S4	S5	S6	S7	X	X1
MBRM 252 T2 0,37kW	212	215	195	360	314	255	235	212	195
MBRM 281 T2 0,55kW	231	226	200	391	353	287	262	231	200
MBRM 282 T2 0,75kW	231	226	200	391	353	287	262	231	200
MBRM 311 T2 1,1kW	256	253	225	437	393	316	288	256	225
MBRM 312 T2 1,5kW	256	253	225	437	393	316	288	256	225
MBRM 351 T2 1,5kW	288	278	255	489	437	359	325	288	255
MBRM 352 T2 2,2kW	288	278	255	489	437	359	325	288	255
MBRM 401 T2 3kW	311	306	285	543	487	387	353	311	285
MBRM 402 T2 4kW	311	306	285	543	487	387	353	311	285
MBRM 451 T2 5,5kW	354	342	320	609	542	435	398	354	320
MBRM 452 T2 7,5kW	354	342	320	609	542	435	398	354	320
MBRM 501 T2 11kW	400	380	360	676	597	490	450	400	360
MBRM 502 T2 15kW	400	380	360	676	597	490	450	400	360
MBRM 503 T4 1,1kW	400	380	360	676	597	490	450	400	360
MBRM 504 T4 1,5kW	400	380	360	676	597	490	450	400	360

Model	X2	X3	X4	X5	X6	X7	a	a1	a2
MBRM 220 T2 0,18kW	280	232	200	226	190	190	124	145	164
MBRM 251 T2 0,25kW	360	314	255	276	235	215	207	241	277
MBRM 252 T2 0,37kW	360	314	255	276	235	215	207	241	277
MBRM 281 T2 0,55kW	391	353	287	305	262	226	231	265	301
MBRM 282 T2 0,75kW	391	353	287	305	262	226	231	265	301
MBRM 311 T2 1,1kW	437	393	316	332	288	253	258	292	328
MBRM 312 T2 1,5kW	437	393	316	332	288	253	258	292	328
MBRM 351 T2 1,5kW	489	437	359	375	325	278	288	332	368
MBRM 352 T2 2,2kW	489	437	359	375	325	278	288	332	368
MBRM 401 T2 3kW	543	487	387	400	353	306	322	366	402
MBRM 402 T2 4kW	543	487	387	400	353	306	322	366	402
MBRM 451 T2 5,5kW	609	542	435	445	398	342	361	405	441
MBRM 452 T2 7,5kW	609	542	435	445	398	342	361	405	441
MBRM 501 T2 11kW	677	597	490	502	450	380	404	448	484
MBRM 502 T2 15kW	677	597	490	502	450	380	404	448	484
MBRM 503 T4 1,1kW	677	597	490	502	450	380	404	448	484
MBRM 504 T4 1,5kW	677	597	490	502	450	380	404	448	484

Model	b	b1	b2	d	d1	d2	n1xp	n2xp	Ø3
MBRM 220 T2 0,18kW	103	125	143	130	150	170	-	-	10
MBRM 251 T2 0,25kW	148	182	218	185	219	255	1x112	1x112	10
MBRM 252 T2 0,37kW	148	182	218	185	219	255	1x112	1x112	10
MBRM 281 T2 0,55kW	166	200	236	205	241	275	1x112	1x112	10

Model	b	b1	b2	d	d1	d2	n1xp	n2xp	Ø3
MBRM 282 T2 0,75kW	166	200	236	205	241	275	1x112	1x112	10
MBRM 311 T2 1,1kW	185	219	255	228	265	298	1x112	2x112	10
MBRM 312 T2 1,5kW	185	219	255	228	265	298	1x112	2x112	10
MBRM 351 T2 1,5kW	205	249	285	255	292	325	1x125	2x125	10
MBRM 352 T2 2,2kW	205	249	285	255	292	325	1x125	2x125	10
MBRM 401 T2 3kW	229	273	309	285	332	365	1x125	2x125	12
MBRM 402 T2 4kW	229	273	309	285	332	365	1x125	2x125	12
MBRM 451 T2 5,5kW	256	300	336	320	366	400	1x125	2x125	12
MBRM 452 T2 7,5kW	256	300	336	320	366	400	1x125	2x125	12
MBRM 501 T2 11kW	288	332	368	360	405	440	2x125	3x125	14
MBRM 502 T2 15kW	288	332	368	360	405	440	2x125	3x125	14
MBRM 503 T4 1,1kW	288	332	368	360	405	440	2x125	3x125	10
MBRM 504 T4 1,5kW	288	332	368	360	405	440	2x125	3x125	10



Model	A	B	C	D	D1	D2	D3	D4	D5
MBRM 561 T2 18,5kW	177	880	940	400	657	555	570	542	485
MBRM 562 T2 22kW	177	935	940	400	657	555	570	542	485
MBRM 563 T4 2,2kW	177	705	940	400	657	555	570	542	485

Model	A	B	C	D	D1	D2	D3	D4	D5
MBRM 564 T4 3kW	177	705	940	400	657	555	570	542	485
MBRM 631 T4 4kW	195	775	1052	450	733	619	630	603	550
MBRM 632 T4 5,5kW	195	815	1052	450	733	619	630	603	550

Model	D6	D7	E	F	G	H	H1	H2	I
MBRM 561 T2 18,5kW	425	747	1126	390	165	670	400	670	337
MBRM 562 T2 22kW	425	747	1126	390	165	670	400	670	357
MBRM 563 T4 2,2kW	425	747	1126	390	165	670	400	670	197
MBRM 564 T4 3kW	425	747	1126	390	165	670	400	670	197
MBRM 631 T4 4kW	476	836	1260	439	185	750	450	750	197
MBRM 632 T4 5,5kW	476	836	1260	439	185	750	450	750	237

Model	J	K	L	M	N	N1xØ1	N2xØ2	O	O6
MBRM 561 T2 18,5kW	395	440	692	436	326	12x12	14x12	53	347
MBRM 562 T2 22kW	434	488	692	460	326	12x12	14x12	53	347
MBRM 563 T4 2,2kW	289	324	692	276	326	12x12	14x12	53	347
MBRM 564 T4 3kW	289	324	692	276	326	12x12	14x12	53	347
MBRM 631 T4 4kW	289	324	762	276	365	12x12	14x12	53	386
MBRM 632 T4 5,5kW	337	372	762	336	365	12x12	14x12	53	386

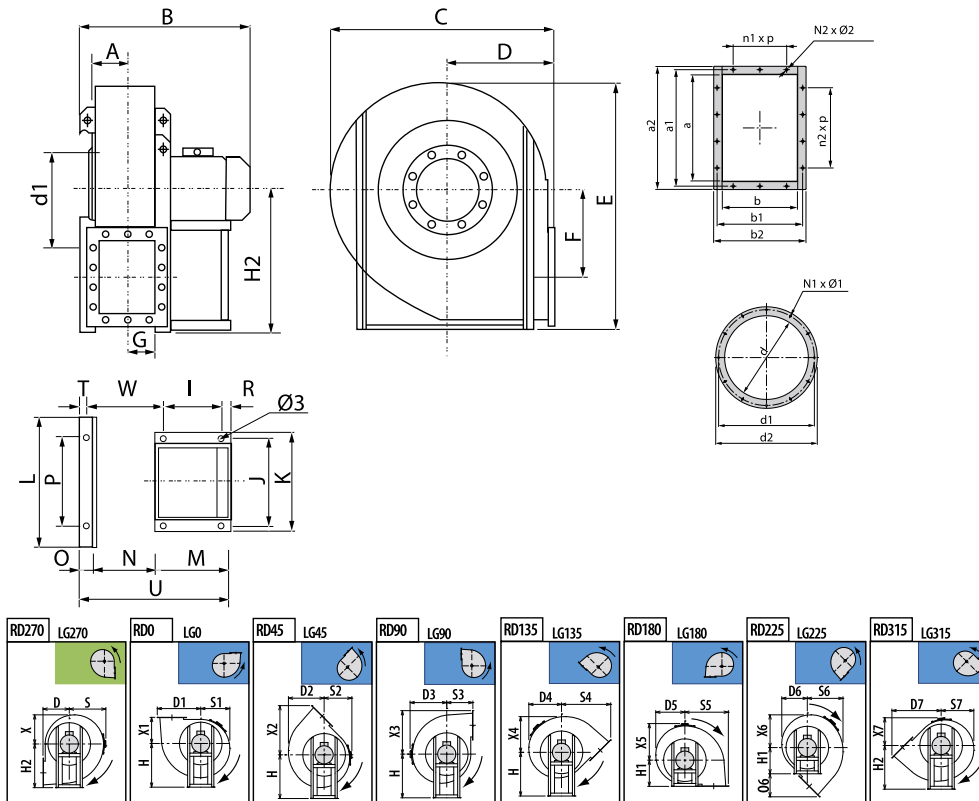
Model	P	R	S	S1	S2	S3	S4	S5	S6
MBRM 561 T2 18,5kW	632	49	570	485	425	400	747	667	555
MBRM 562 T2 22kW	632	33	570	485	425	400	747	667	555
MBRM 563 T4 2,2kW	632	49	570	485	425	400	747	667	555
MBRM 564 T4 3kW	632	49	570	485	425	400	747	667	555
MBRM 631 T4 4kW	702	49	630	550	476	450	836	733	619
MBRM 632 T4 5,5kW	702	59	630	550	476	450	836	733	619

Model	S7	T	U	W	X	X1	X2	X3	X4
MBRM 561 T2 18,5kW	542	23	815	406	485	400	747	657	555
MBRM 562 T2 22kW	542	23	839	426	485	400	747	657	555
MBRM 563 T4 2,2kW	542	23	655	386	485	400	747	657	555
MBRM 564 T4 3kW	542	23	655	386	485	400	747	657	555
MBRM 631 T4 4kW	603	23	694	425	550	450	836	733	619
MBRM 632 T4 5,5kW	603	23	754	435	550	450	836	733	619

Model	X5	X6	X7	a	a1	a2	b	b1	b2
MBRM 561 T2 18,5kW	570	542	425	453	497	533	322	366	402
MBRM 562 T2 22kW	570	542	425	453	497	533	322	366	402
MBRM 563 T4 2,2kW	570	542	425	453	497	533	322	366	402

Model	X5	X6	X7	a	a1	a2	b	b1	b2
MBRM 564 T4 3kW	570	542	425	453	497	533	322	366	402
MBRM 631 T4 4kW	630	603	476	507	551	587	361	405	441
MBRM 632 T4 5,5kW	630	603	476	507	551	587	361	405	441

Model	d	d1	d2	n1xp	n2xp	Ø3
MBRM 561 T2 18,5kW	405	448	485	2x125	2x125	14
MBRM 562 T2 22kW	405	448	485	2x125	3x125	17
MBRM 563 T4 2,2kW	405	448	485	2x125	3x125	12
MBRM 564 T4 3kW	405	448	485	2x125	3x125	12
MBRM 631 T4 4kW	455	497	535	2x125	3x125	12
MBRM 632 T4 5,5kW	455	497	535	2x125	3x125	12



Model	A	B	C	D	D1	D2	D3	D4	D5
MBRM 711 T4 7,5kW	216	880	1189	500	835	719	690	662	565
MBRM 712 T4 11kW	216	960	1189	500	835	719	690	662	565
MBRM 801 T4 15kW	241	1010	1340	560	929	811	782	749	641
MBRM 802 T4 18,5kW	241	1050	1340	560	929	811	782	749	641
MBRM 803 T6 4kW	241	940	1340	560	929	811	782	749	641

Model	A	B	C	D	D1	D2	D3	D4	D5
MBRM 804 T6 5,5kW	241	940	1340	560	929	811	782	749	641
MBRM 901 T4 30kW	275	1230	1500	630	1038	905	870	835	721
MBRM 902 T4 37kW	275	1260	1500	630	1038	905	870	835	721
MBRM 903 T6 7,5kW	275	1070	1500	630	1038	905	870	835	721
MBRM 904 T6 11kW	275	1070	1500	630	1038	905	870	835	721
MBRM 1001 T4 45kW	308	1320	1685	710	1171	1015	976	936	814
MBRM 1002 T4 55kW	308	1380	1685	710	1171	1015	976	936	814
MBRM 1003 T6 15kW	308	1230	1685	710	1171	1015	976	936	814
MBRM 1004 T6 18,5kW	308	1300	1685	710	1171	1015	976	936	814
MBRM 1121 T4 75kW	350	1620	1884	800	1309	1133	1084	1037	932
MBRM 1122 T4 90kW	350	1620	1884	800	1309	1133	1084	1037	932
MBRM 1123 T6 22kW	350	1390	1884	800	1309	1133	1084	1037	932
MBRM 1124 T6 30kW	350	1410	1884	800	1309	1133	1084	1037	932
MBRM 1251 T6 37kW	388	1550	2116	900	1464	1270	1214	1163	1048
MBRM 1252 T6 45kW	388	1700	2116	900	1464	1270	1214	1163	1048
MBRM 1401 T6 55kW	442	1790	2325	1000	1464	1270	1214	1163	1048
MBRM 1402 T6 75kW	442	1800	2325	1000	1464	1270	1214	1163	1048

Model	D6	D7	E	F	G	H	H1	H2	I
MBRM 711 T4 7,5kW	497	944	1416	500	202	670	500	850	201
MBRM 712 T4 11kW	497	944	1416	500	202	670	500	850	316
MBRM 801 T4 15kW	562	1053	1591	560	226	755	560	950	315
MBRM 802 T4 18,5kW	562	1053	1591	560	226	755	560	950	361
MBRM 803 T6 4kW	562	1053	1591	560	226	755	560	950	201
MBRM 804 T6 5,5kW	562	1053	1591	560	226	755	560	950	201
MBRM 901 T4 30kW	633	1180	1780	630	253	850	630	1060	401
MBRM 902 T4 37kW	633	1180	1780	630	253	850	630	1060	441
MBRM 903 T6 7,5kW	633	1180	1780	630	253	850	630	1060	316
MBRM 904 T6 11kW	633	1180	1780	630	253	850	630	1060	316
MBRM 1001 T4 45kW	718	1330	1993	710	284	950	710	1180	440
MBRM 1002 T4 55kW	718	1330	1993	710	284	950	710	1180	500
MBRM 1003 T6 15kW	718	1330	1993	710	284	950	710	1180	360
MBRM 1004 T6 18,5kW	718	1330	1993	710	284	950	710	1180	400
MBRM 1121 T4 75kW	793	1491	2222	800	319	1060	800	1320	565
MBRM 1122 T4 90kW	793	1491	2222	800	319	1060	800	1320	565
MBRM 1123 T6 22kW	793	1491	2222	800	319	1060	800	1320	375
MBRM 1124 T6 30kW	793	1491	2222	800	319	1060	800	1320	415
MBRM 1251 T6 37kW	898	1671	2517	900	357	1190	900	1500	475
MBRM 1252 T6 45kW	898	1671	2517	900	357	1190	900	1500	565
MBRM 1401 T6 55kW	898	1671	2816	1000	400	1190	900	1700	535

Model	D6	D7	E	F	G	H	H1	H2	I
MBRM 1402 T6 75kW	898	1671	2816	1000	400	1190	900	1700	645

Model	J	K	L	M	N	N1xØ1	N2xØ2	O	O6
MBRM 711 T4 7,5kW	772	826	915	336	404	12x14	14x14	60	444
MBRM 712 T4 11kW	772	826	915	436	404	12x14	14x14	60	444
MBRM 801 T4 15kW	862	926	1045	436	453	12x14	14x14	80	493
MBRM 802 T4 18,5kW	862	926	1045	460	453	12x14	14x14	80	493
MBRM 803 T6 4kW	862	926	1045	336	453	12x14	14x14	80	493
MBRM 804 T6 5,5kW	862	926	1045	336	453	12x14	14x14	80	493
MBRM 901 T4 30kW	962	1026	1145	500	507	12x14	16x14	80	550
MBRM 902 T4 37kW	962	1026	1145	540	507	12x14	16x14	80	550
MBRM 903 T6 7,5kW	962	1026	1145	436	507	12x14	16x14	80	550
MBRM 904 T6 11kW	962	1026	1145	436	507	12x14	16x14	80	550
MBRM 1001 T4 45kW	1056	1128	1255	540	569	16x14	14x14	100	620
MBRM 1002 T4 55kW	1056	1128	1255	600	569	16x14	14x14	100	620
MBRM 1003 T6 15kW	1056	1128	1255	460	569	16x14	14x14	100	620
MBRM 1004 T6 18,5kW	1056	1128	1255	500	569	16x14	14x14	100	620
MBRM 1121 T4 75kW	1178	1268	1400	690	638	16x14	18x14	100	691
MBRM 1122 T4 90kW	1178	1268	1400	690	638	16x14	18x14	100	691
MBRM 1123 T6 22kW	1178	1268	1400	500	638	16x14	18x14	100	691
MBRM 1124 T6 30kW	1178	1268	1400	540	638	16x14	18x14	100	691
MBRM 1251 T6 37kW	1310	1400	1530	600	715	16x14	18x14	100	771
MBRM 1252 T6 45kW	1310	1400	1530	690	715	16x14	18x14	100	771
MBRM 1401 T6 55kW	1450	1560	1690	690	801	24x14	20x18	130	771
MBRM 1402 T6 75kW	1450	1560	1690	800	801	24x14	20x18	130	771

Model	P	R	S	S1	S2	S3	S4	S5	S6
MBRM 711 T4 7,5kW	772	75	690	565	497	500	944	835	719
MBRM 712 T4 11kW	772	60	690	565	497	500	944	835	719
MBRM 801 T4 15kW	862	60	782	641	562	560	1053	929	811
MBRM 802 T4 18,5kW	862	39	782	641	562	560	1053	929	811
MBRM 803 T6 4kW	862	75	782	641	562	560	1053	929	811
MBRM 804 T6 5,5kW	862	75	782	641	562	560	1053	929	811
MBRM 901 T4 30kW	962	39	870	721	633	630	1180	1038	905
MBRM 902 T4 37kW	962	39	870	721	633	630	1180	1038	905
MBRM 903 T6 7,5kW	962	60	870	721	633	630	1180	1038	905
MBRM 904 T6 11kW	962	60	870	721	633	630	1180	1038	905
MBRM 1001 T4 45kW	1056	45	976	814	718	710	1330	1171	1015
MBRM 1002 T4 55kW	1056	45	976	814	718	710	1330	1171	1015
MBRM 1003 T6 15kW	1056	45	976	814	718	710	1330	1171	1015

Model	P	R	S	S1	S2	S3	S4	S5	S6
MBRM 1004 T6 18,5kW	1056	45	976	814	718	710	1330	1171	1015
MBRM 1121 T4 75kW	1178	45	1084	932	793	800	1491	1309	1133
MBRM 1122 T4 90kW	1178	45	1084	932	793	800	1491	1309	1133
MBRM 1123 T6 22kW	1178	45	1084	932	793	800	1491	1309	1133
MBRM 1124 T6 30kW	1178	45	1084	932	793	800	1491	1309	1133
MBRM 1251 T6 37kW	1310	45	1214	1048	898	900	1671	1464	1270
MBRM 1252 T6 45kW	1310	45	1214	1048	898	900	1671	1464	1270
MBRM 1401 T6 55kW	1450	55	1214	1048	898	900	1671	1464	1270
MBRM 1402 T6 75kW	1450	55	1214	1048	898	900	1671	1464	1270

Model	S7	T	U	W	X	X1	X2	X3	X4
MBRM 711 T4 7,5kW	662	27	800	497	565	500	944	835	719
MBRM 712 T4 11kW	662	27	900	497	565	500	944	835	719
MBRM 801 T4 15kW	749	47	970	546	641	560	1053	929	811
MBRM 802 T4 18,5kW	749	47	993	546	641	560	1053	929	811
MBRM 803 T6 4kW	749	47	870	546	641	560	1053	929	811
MBRM 804 T6 5,5kW	749	47	870	546	641	560	1053	929	811
MBRM 901 T4 30kW	835	47	1087	500	721	630	1180	1038	905
MBRM 902 T4 37kW	835	47	1127	540	721	630	1180	1038	905
MBRM 903 T6 7,5kW	835	47	1023	436	721	630	1180	1038	905
MBRM 904 T6 11kW	835	47	1023	436	721	630	1180	1038	905
MBRM 1001 T4 45kW	936	67	1209	657	814	710	1330	1171	1015
MBRM 1002 T4 55kW	936	67	1269	657	814	710	1330	1171	1015
MBRM 1003 T6 15kW	936	67	1129	657	814	710	1330	1171	1015
MBRM 1004 T6 18,5kW	936	67	1169	657	814	710	1330	1171	1015
MBRM 1121 T4 75kW	1037	55	1428	763	932	800	1491	1309	1133
MBRM 1122 T4 90kW	1037	55	1428	763	932	800	1491	1309	1133
MBRM 1123 T6 22kW	1037	55	1238	763	932	800	1491	1309	1133
MBRM 1124 T6 30kW	1037	55	1278	763	932	800	1491	1309	1133
MBRM 1251 T6 37kW	1163	55	1415	840	1048	900	1671	1464	1270
MBRM 1252 T6 45kW	1163	55	1505	840	1048	900	1671	1464	1270
MBRM 1401 T6 55kW	1163	85	1621	946	1048	900	1671	1464	1270
MBRM 1402 T6 75kW	1163	85	1731	946	1048	900	1671	1464	1270

Model	X5	X6	X7	a	a1	a2	b	b1	b2
MBRM 711 T4 7,5kW	690	662	497	569	629	669	404	464	504
MBRM 712 T4 11kW	690	662	497	569	629	669	404	464	504
MBRM 801 T4 15kW	782	749	562	638	698	738	453	513	553
MBRM 802 T4 18,5kW	782	749	562	638	698	738	453	513	553
MBRM 803 T6 4kW	782	749	562	638	698	738	453	513	553

Model	X5	X6	X7	a	a1	a2	b	b1	b2
MBRM 804 T6 5,5kW	782	749	562	638	698	738	453	513	553
MBRM 901 T4 30kW	870	835	633	715	775	815	507	567	607
MBRM 902 T4 37kW	870	835	633	715	775	815	507	567	607
MBRM 903 T6 7,5kW	870	835	633	715	775	815	507	567	607
MBRM 904 T6 11kW	870	835	633	715	775	815	507	567	607
MBRM 1001 T4 45kW	976	936	718	801	871	921	569	639	689
MBRM 1002 T4 55kW	976	936	718	801	871	921	569	639	689
MBRM 1003 T6 15kW	976	936	718	801	871	921	569	639	689
MBRM 1004 T6 18,5kW	976	936	718	801	871	921	569	639	689
MBRM 1121 T4 75kW	1084	1037	793	898	968	1018	638	708	758
MBRM 1122 T4 90kW	1084	1037	793	898	968	1018	638	708	758
MBRM 1123 T6 22kW	1084	1037	793	898	968	1018	638	708	758
MBRM 1124 T6 30kW	1084	1037	793	898	968	1018	638	708	758
MBRM 1251 T6 37kW	1214	1163	898	1007	1077	1127	715	785	835
MBRM 1252 T6 45kW	1214	1163	898	1007	1077	1127	715	785	835
MBRM 1401 T6 55kW	1214	1163	898	1130	1210	1270	801	881	941
MBRM 1402 T6 75kW	1214	1163	898	1130	1210	1270	801	881	941

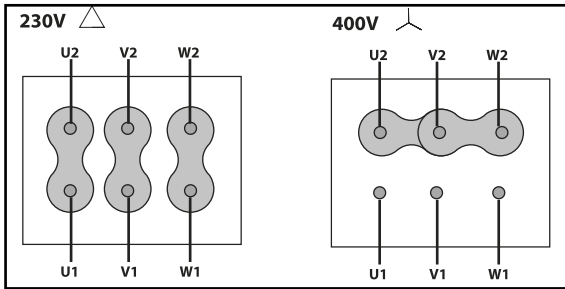
Model	d	d1	d2	n1xp	n2xp	Ø3
MBRM 711 T4 7,5kW	505	551	585	2x160	3x160	20
MBRM 712 T4 11kW	505	551	585	2x160	3x160	20
MBRM 801 T4 15kW	565	629	665	2x160	3x160	20
MBRM 802 T4 18,5kW	565	629	665	2x160	3x160	20
MBRM 803 T6 4kW	565	629	665	2x160	3x160	20
MBRM 804 T6 5,5kW	565	629	665	2x160	3x160	20
MBRM 901 T4 30kW	635	698	735	2x160	4x160	20
MBRM 902 T4 37kW	635	698	735	2x160	4x160	20
MBRM 903 T6 7,5kW	635	698	735	2x160	4x160	20
MBRM 904 T6 11kW	635	698	735	2x160	4x160	20
MBRM 1001 T4 45kW	715	775	815	2x200	3x200	20
MBRM 1002 T4 55kW	715	775	815	2x200	3x200	20
MBRM 1003 T6 15kW	715	775	815	2x200	3x200	20
MBRM 1004 T6 18,5kW	715	775	815	2x200	3x200	20
MBRM 1121 T4 75kW	805	861	905	3x200	4x200	24
MBRM 1122 T4 90kW	805	861	905	3x200	4x200	24
MBRM 1123 T6 22kW	805	861	905	3x200	4x200	24
MBRM 1124 T6 30kW	805	861	905	3x200	4x200	24
MBRM 1251 T6 37kW	905	958	1005	3x200	4x200	24
MBRM 1252 T6 45kW	905	958	1005	3x200	4x200	24
MBRM 1401 T6 55kW	1007	1067	1107	3x200	5x200	24

Model	d	d1	d2	n1xp	n2xp	Ø3
MBRM 1402 T6 75kW	1007	1067	1107	3x200	5x200	24

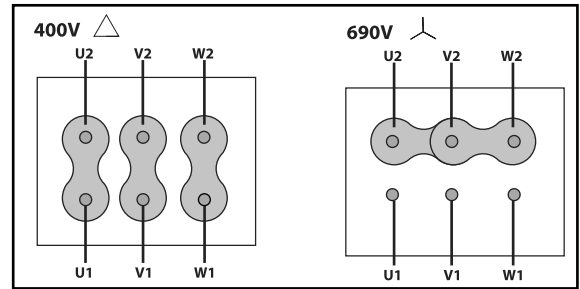
Wiring diagram

DIAGRAM Nº 1

230/400V



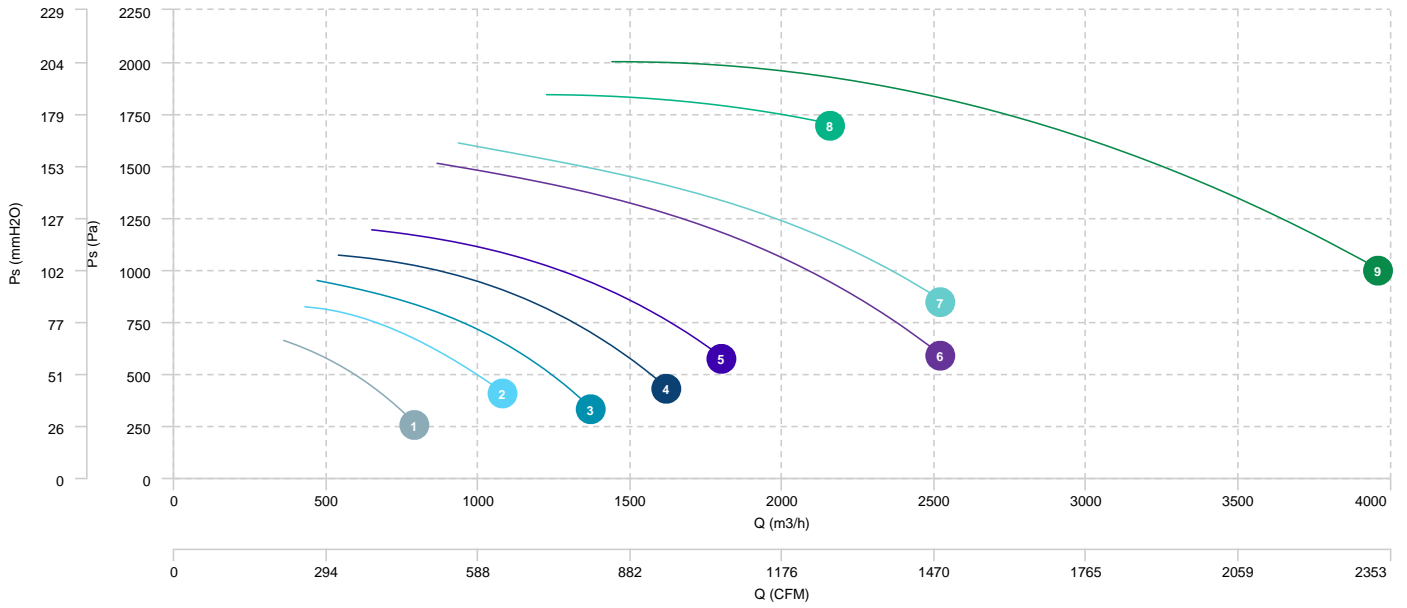
400/690V



CHARACTERISCTIC CURVE

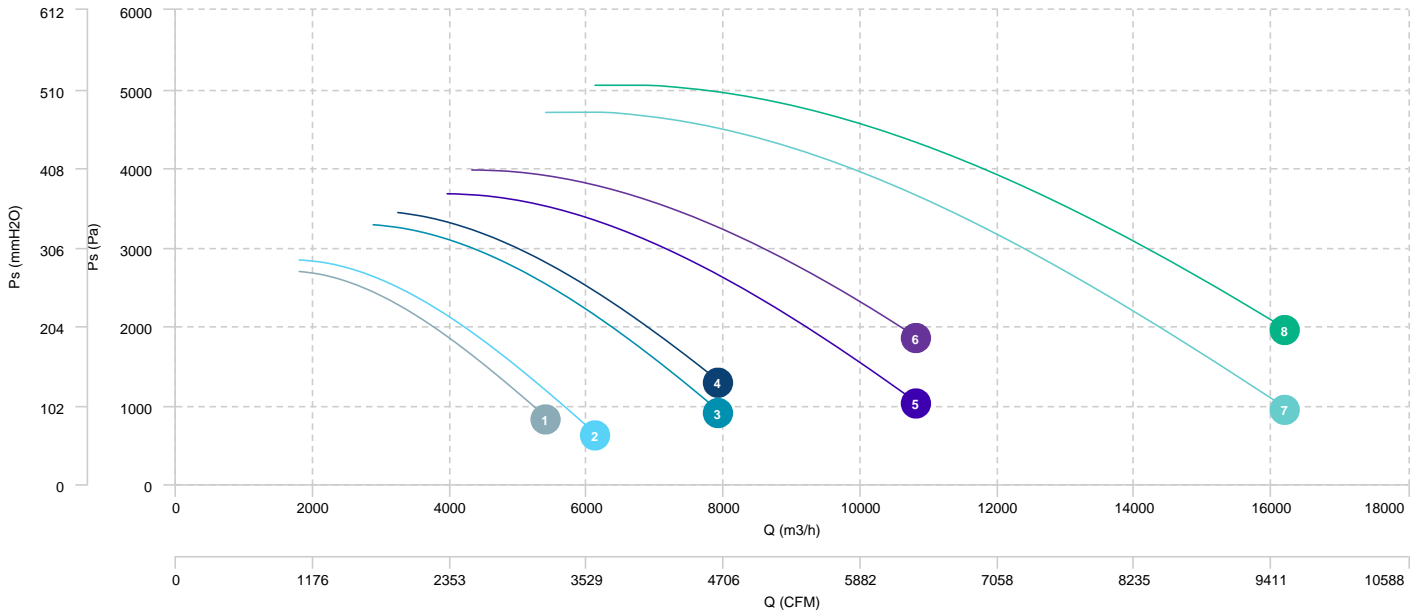
1	MBRM 220 T2 0,18kW	2	MBRM 251 T2 0,25kW	3	MBRM 252 T2 0,37kW	4	MBRM 281 T2 0,55kW
5	MBRM 282 T2 0,75kW	6	MBRM 311 T2 1,1kW	7	MBRM 312 T2 1,5kW	8	MBRM 351 T2 1,5kW
9	MBRM 352 T2 2,2kW						

AIR FLOW - PRESSURE



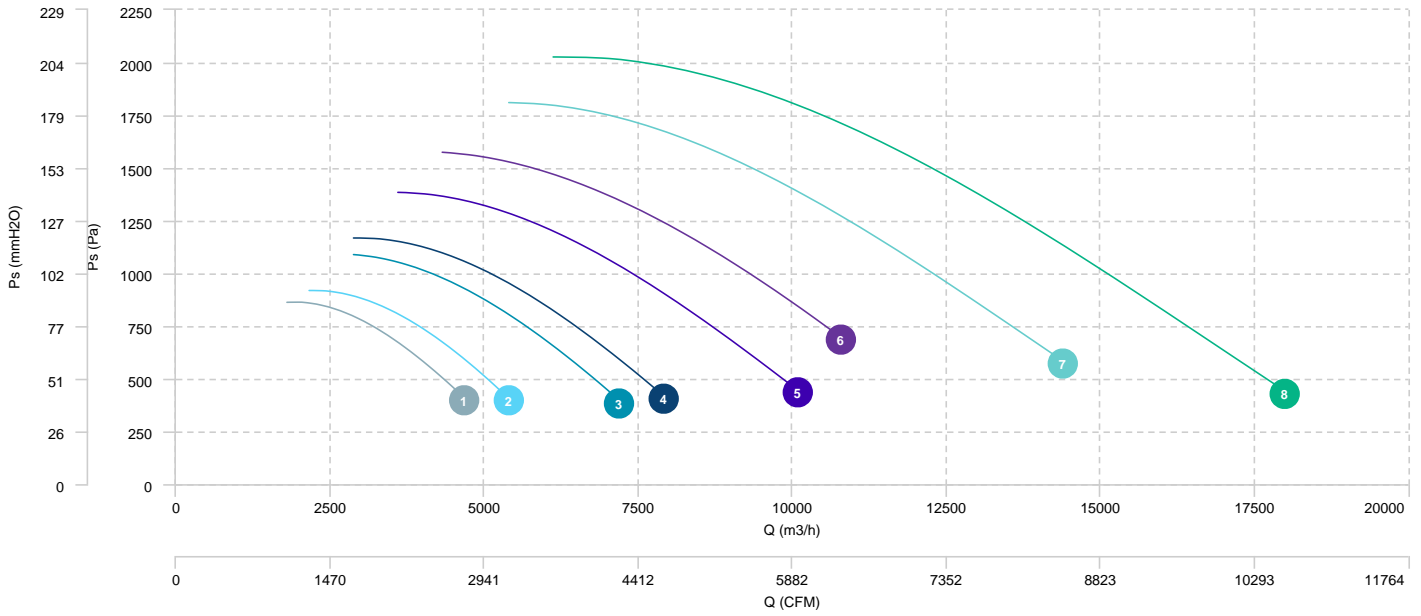
1	MBRM 401 T2 3kW	2	MBRM 402 T2 4kW	3	MBRM 451 T2 5,5kW	4	MBRM 452 T2 7,5kW
5	MBRM 501 T2 11kW	6	MBRM 502 T2 15kW	7	MBRM 561 T2 18,5kW	8	MBRM 562 T2 22kW

AIR FLOW - PRESSURE



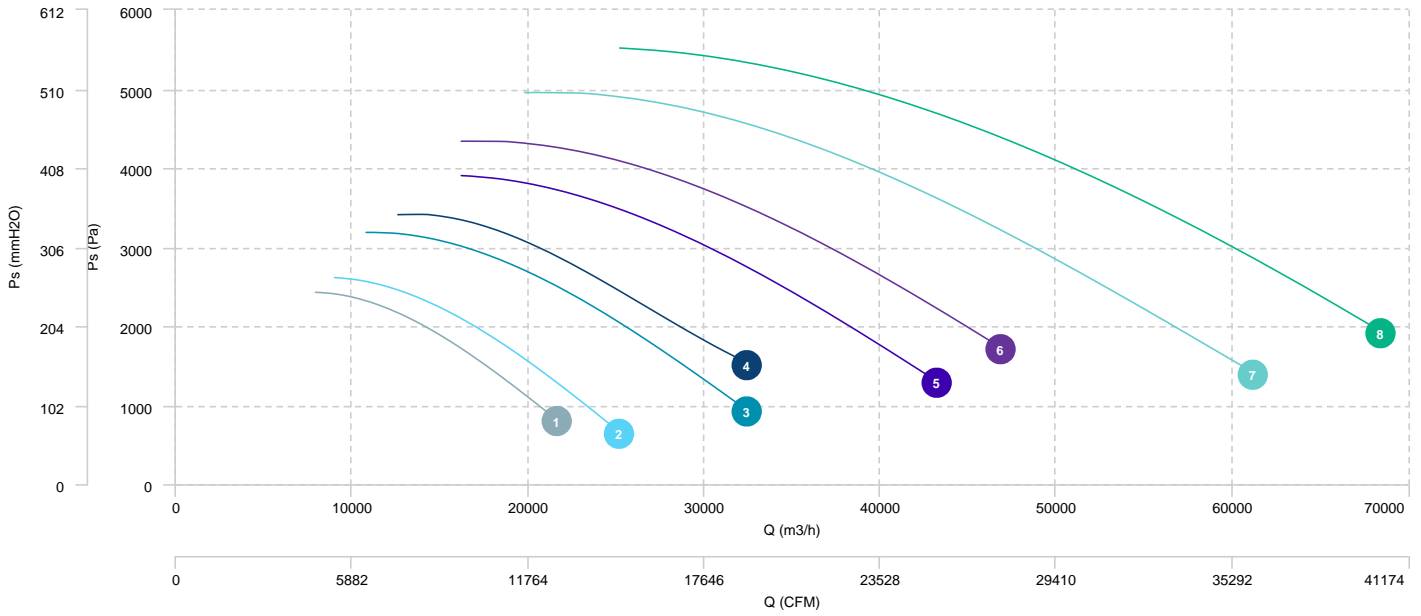
1	MBRM 503 T4 1,1kW	2	MBRM 504 T4 1,5kW	3	MBRM 563 T4 2,2kW	4	MBRM 564 T4 3kW
5	MBRM 631 T4 4kW	6	MBRM 632 T4 5,5kW	7	MBRM 711 T4 7,5kW	8	MBRM 712 T4 11kW

AIR FLOW - PRESSURE



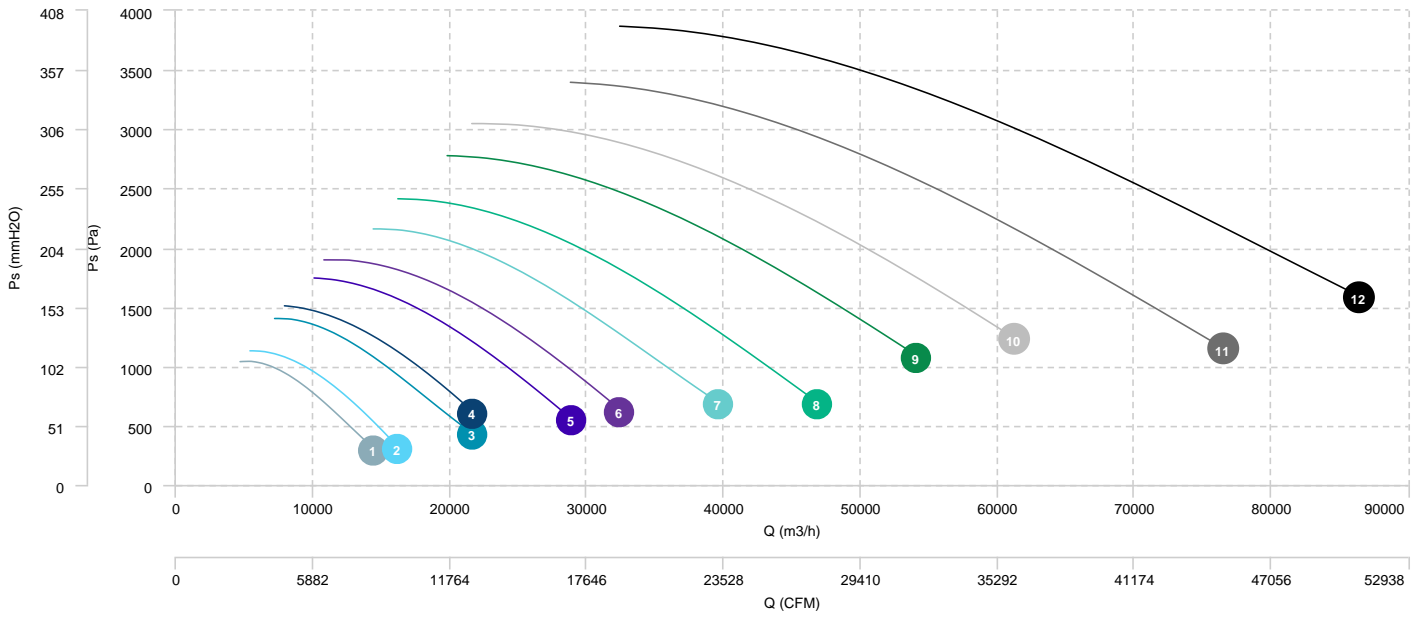
1	MBRM 801 T4 15kW	2	MBRM 802 T4 18,5kW	3	MBRM 901 T4 30kW	4	MBRM 902 T4 37kW
5	MBRM 1001 T4 45kW	6	MBRM 1002 T4 55kW	7	MBRM 1121 T4 75kW	8	MBRM 1122 T4 90kW

AIR FLOW - PRESSURE



1	MBRM 803 T6 4kW	2	MBRM 804 T6 5,5kW	3	MBRM 903 T6 7,5kW	4	MBRM 904 T6 11kW
5	MBRM 1003 T6 15kW	6	MBRM 1004 T6 18,5kW	7	MBRM 1123 T6 22kW	8	MBRM 1124 T6 30kW
9	MBRM 1251 T6 37kW	10	MBRM 1252 T6 45kW	11	MBRM 1401 T6 55kW	12	MBRM 1402 T6 75kW

AIR FLOW - PRESSURE



Sound data

Sound / 2 poles

Sound power Lw dB (A)											
Model		63 Hz	125 Hz	250 Hz	500 Hz	1000 Hz	2000 Hz	4000 Hz	8000 Hz	Total	
MBRM 220 T2 0,18kW	Inlet	45	57	64	68	69	64	58	55	73	
MBRM 251 T2 0,25kW	Inlet	47	59	66	70	71	66	60	57	75	
MBRM 252 T2 0,37kW	Inlet	49	61	67	71	72	68	61	58	76	
MBRM 281 T2 0,55kW	Inlet	50	62	69	73	74	69	63	60	78	
MBRM 282 T2 0,75kW	Inlet	52	64	70	75	75	71	64	61	80	
MBRM 311 T2 1,1kW	Inlet	54	66	73	77	78	73	67	64	82	
MBRM 312 T2 1,5kW	Inlet	55	67	74	78	79	74	68	65	83	
MBRM 351 T2 1,5kW	Inlet	53	65	71	75	76	72	65	62	80	
MBRM 352 T2 2,2kW	Inlet	57	69	76	80	81	76	70	67	85	
MBRM 401 T2 3kW	Inlet	61	73	79	83	84	80	73	70	89	
MBRM 402 T2 4kW	Inlet	62	74	80	84	85	80	74	71	89	
MBRM 451 T2 5,5kW	Inlet	64	76	83	87	88	83	76	73	92	
MBRM 452 T2 7,5kW	Inlet	64	76	83	87	88	83	76	73	92	
MBRM 501 T2 11kW	Inlet	68	80	86	90	91	86	80	77	95	
MBRM 502 T2 15kW	Inlet	69	81	87	91	92	87	81	78	96	
MBRM 561 T2 18,5kW	Inlet	70	82	89	93	94	89	83	80	98	
MBRM 562 T2 22kW	Inlet	71	83	89	93	94	89	83	80	98	

Sound / 4 poles

Sound power Lw dB (A)											
Model		63 Hz	125 Hz	250 Hz	500 Hz	1000 Hz	2000 Hz	4000 Hz	8000 Hz	Total	
MBRM 503 T4 1,1kW	Inlet	53	65	72	76	77	72	65	62	81	
MBRM 504 T4 1,5kW	Inlet	54	66	72	77	77	73	66	63	82	
MBRM 563 T4 2,2kW	Inlet	56	68	74	78	79	75	68	65	84	
MBRM 564 T4 3kW	Inlet	57	69	75	79	80	76	69	66	85	
MBRM 631 T4 4kW	Inlet	59	71	77	81	82	78	71	68	87	
MBRM 632 T4 5,5kW	Inlet	62	74	80	84	85	80	74	71	89	
MBRM 711 T4 7,5kW	Inlet	62	74	80	85	85	81	74	71	90	
MBRM 712 T4 11kW	Inlet	63	75	82	86	87	82	76	73	91	
MBRM 801 T4 15kW	Inlet	65	77	84	88	89	84	78	75	93	
MBRM 802 T4 18,5kW	Inlet	66	78	85	89	90	85	78	75	94	
MBRM 901 T4 30kW	Inlet	69	81	87	91	92	88	81	78	96	
MBRM 902 T4 37kW	Inlet	70	82	88	92	93	88	82	79	97	
MBRM 1001 T4 45kW	Inlet	70	82	89	93	94	89	82	79	98	
MBRM 1002 T4 55kW	Inlet	72	84	90	95	95	91	84	81	100	

Sound power Lw dB (A)										
Model		63 Hz	125 Hz	250 Hz	500 Hz	1000 Hz	2000 Hz	4000 Hz	8000 Hz	Total
MBRM 1121 T4 75kW	Inlet	74	86	92	96	97	93	86	83	101
MBRM 1122 T4 90kW	Inlet	75	87	93	98	98	94	87	84	103

Sound / 6 poles

Sound power Lw dB (A)										
Model		63 Hz	125 Hz	250 Hz	500 Hz	1000 Hz	2000 Hz	4000 Hz	8000 Hz	Total
MBRM 803 T6 4kW	Inlet	57	69	76	80	81	76	70	67	85
MBRM 804 T6 5,5kW	Inlet	58	70	77	81	82	77	71	68	86
MBRM 903 T6 7,5kW	Inlet	60	72	78	83	83	79	72	69	88
MBRM 904 T6 11kW	Inlet	62	74	80	84	85	81	74	71	90
MBRM 1003 T6 15kW	Inlet	64	76	82	86	87	83	76	73	91
MBRM 1004 T6 18,5kW	Inlet	65	77	83	87	88	84	77	74	92
MBRM 1123 T6 22kW	Inlet	65	77	83	87	88	84	77	74	92
MBRM 1124 T6 30kW	Inlet	67	79	85	89	90	86	79	76	94
MBRM 1251 T6 37kW	Inlet	69	81	87	91	92	87	81	78	96
MBRM 1252 T6 45kW	Inlet	70	82	85	92	93	88	82	79	97
MBRM 1401 T6 55kW	Inlet	71	83	89	93	94	90	83	80	99
MBRM 1402 T6 75kW	Inlet	73	85	91	95	96	91	85	82	100