

## MBPX



PLASTIC ATEX FAN WITH BACKWARD IMPELLER

### MANUFACTURING FEATURES

- Antistatic PE-el antistatic housing.
- Backward curved impeller in PP plastic.
- Motor support made of rolled steel sheet with polyester powder finishing coat.
- Stainless steel nuts and bolts.
- Standard asynchronous squirrel-cage motor, IP-55, class F insulation. Standard voltages 230/400V 50Hz. Equipped with II2G Eex-d motor.
- Standard orientation: LG270.

### APPLICATIONS

Designed for inline installation, they are suitable for:

- Corrosive air transport.
- Chemical and petrochemical industry.
- Laboratories and gas cabinets.
- General ventilation in closed environments classified as ATEX zone 2.
- Temperatura máxima del aire transportado: si es aire limpio a 70°C, otros dependerá del gas (consulte la tabla en la documentación)

### UNDER REQUEST

- 60Hz fans and special voltages fans.
- Stainless steel motor support.

In compliance with the ATEX Directive 2014/34/UE. Certified ATEX II3G o II3D with certified ATEX motor for areas 2 (gas) or 22 (dust)

## Accessories

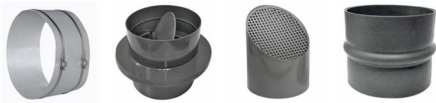


**AD**

**AV**

**AVR**

**AVS**



**BA-400**

**CSC**

**DG**

**FJ**



**INT  
ATEX**

**JE 45**

**PC**

**PCM**



**PD**

**RPI**

**SFC**

**WS**

## Technical data

### Three-phase motor / 2 poles

Code	Model	R.P.M.	Rated I. (A) 400V	Rated power kW	Max. Airflow w m3/h	Sound db (A)**	Weight	Connect. diagram
502202013XD	MBPX 20 T2 0,18kW	2800	0,62	0,18	1.110	57	17	1
502202515XD	MBPX 25 T2 0,37kW	2800	1	0,37	2.110	65	24	1
502202817XD	MBPX 28 T2 0,75kW	2800	2	0,75	3.140	69	33	1
502203119XD	MBPX 31 T2 1,5kW	2800	3,95	1,5	4.360	71	45	1
502203527XD	MBPX 35 T2 2,2kW	2800	5,4	2,2	6.630	73	51	1

### Three-phase motor / 4 poles

Code	Model	R.P.M.	Rated I. (A) 400V	Rated power kW	Max. Airflow w m3/h	Sound db (A)**	Weight	Connect. diagram
502202039XD	MBPX 20 T4 0,12kW	1400	0,71	0,12	580	42	17	1
502202539XD	MBPX 25 T4 0,12kW	1400	0,71	0,12	1.100	49	18	1
502202840XD	MBPX 28 T4 0,18kW	1400	0,76	0,18	1.570	53	23	1
502203141XD	MBPX 31 T4 0,25kW	1400	0,84	0,25	2.170	55	30	1
502203542XD	MBPX 35 T4 0,37kW	1400	1,2	0,37	3.310	57	34	1
502204043XD	MBPX 40 T4 0,55kW	1400	1,75	0,55	4.510	62	47	1
502204545XD	MBPX 45 T4 1,1kW	1400	3,3	1,1	6.410	63	61	1

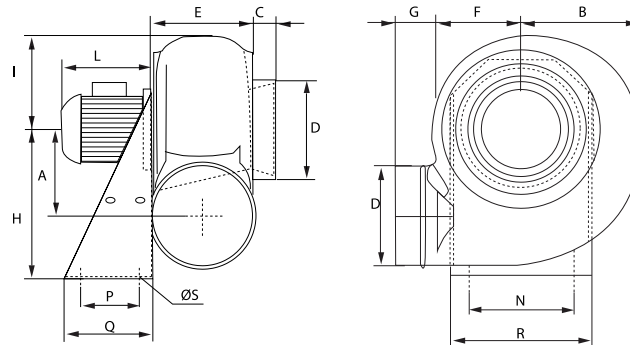
### Three-phase motor / 6 poles

Code	Model	R.P.M.	Rated I. (A) 400V	Rated power kW	Max. Airflow w m3/h	Sound db (A)**	Weight	Connect. diagram
502203168XD	MBPX 31 T6 0,18kW	900	0,61	0,18	1.410	45	30	1
502203568XD	MBPX 35 T6 0,18kW	900	0,61	0,18	2.140	47	34	1
502204069XD	MBPX 40 T6 0,25kW	900	1	0,25	2.920	52	41	1
502204570XD	MBPX 45 T6 0,37kW	900	1,4	0,37	3.930	52	51	1

**Notes:**

\*\* Total sound pressure level at the point of maximum flow measured in dB(A) in the suction measured in free field at a distance of 6m from the source

## Dimensions



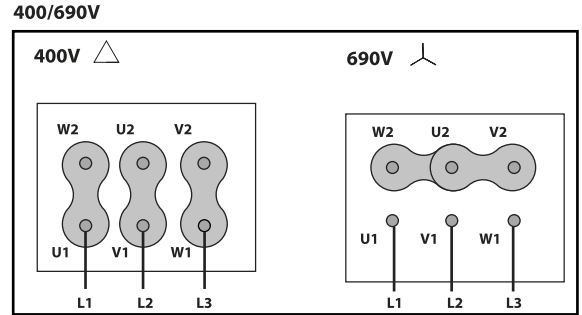
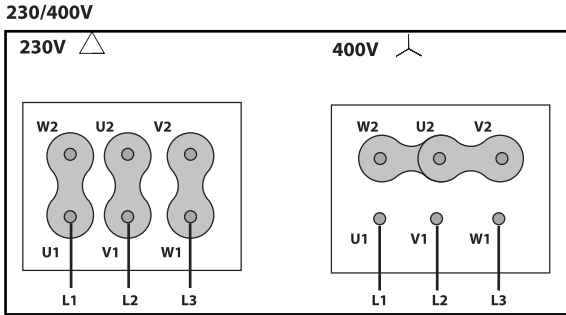
Model	A	B	C	DØ	E	F	G	H	I
MBPX 20 T2 0,18kW	140	180	35	160	160	138	55	250	150
MBPX 20 T4 0,12kW	140	180	35	160	160	138	55	250	150
MBPX 25 T2 0,37kW	173	228	35	200	185	170	55	310	190
MBPX 25 T4 0,12kW	173	228	35	200	185	170	55	310	190
MBPX 28 T2 0,75kW	208	255	40	225	195	190	70	350	210
MBPX 28 T4 0,18kW	208	255	40	225	195	190	70	350	210
MBPX 31 T2 1,5kW	240	280	40	250	200	210	70	410	230
MBPX 31 T4 0,25kW	240	280	40	250	200	210	70	410	230
MBPX 31 T6 0,18kW	240	280	40	250	200	210	70	410	230
MBPX 35 T2 2,2kW	260	312	40	280	237	230	50	445	270
MBPX 35 T4 0,37kW	260	312	40	280	237	230	50	445	270
MBPX 35 T6 0,18kW	260	312	40	280	237	230	50	445	270
MBPX 40 T4 0,55kW	290	356	40	315	252	264	55	495	295
MBPX 40 T6 0,25kW	290	356	40	315	252	264	55	495	295
MBPX 45 T4 1,1kW	324	400	40	355	287	395	55	550	330
MBPX 45 T6 0,37kW	324	400	40	355	287	295	55	550	330

Model	L	N	P	Q	R	S
MBPX 20 T2 0,18kW	195	200	100	140	235	11
MBPX 20 T4 0,12kW	190	200	100	140	235	11
MBPX 25 T2 0,37kW	220	255	100	140	290	11
MBPX 25 T4 0,12kW	190	255	100	140	290	11
MBPX 28 T2 0,75kW	240	280	120	190	316	11
MBPX 28 T4 0,18kW	190	280	120	190	316	11
MBPX 31 T2 1,5kW	290	320	150	230	355	11

Model	L	N	P	Q	R	S
MBPX 31 T4 0,25kW	220	320	150	230	355	11
MBPX 31 T6 0,18kW	210	320	150	230	355	11
MBPX 35 T2 2,2kW	290	355	150	230	390	11
MBPX 35 T4 0,37kW	220	355	150	230	390	11
MBPX 35 T6 0,18kW	210	355	150	230	390	11
MBPX 40 T4 0,55kW	240	325	170	250	365	11
MBPX 40 T6 0,25kW	220	325	170	250	365	11
MBPX 45 T4 1,1kW	290	370	170	250	410	11
MBPX 45 T6 0,37kW	240	370	170	250	410	11

# Wiring diagram

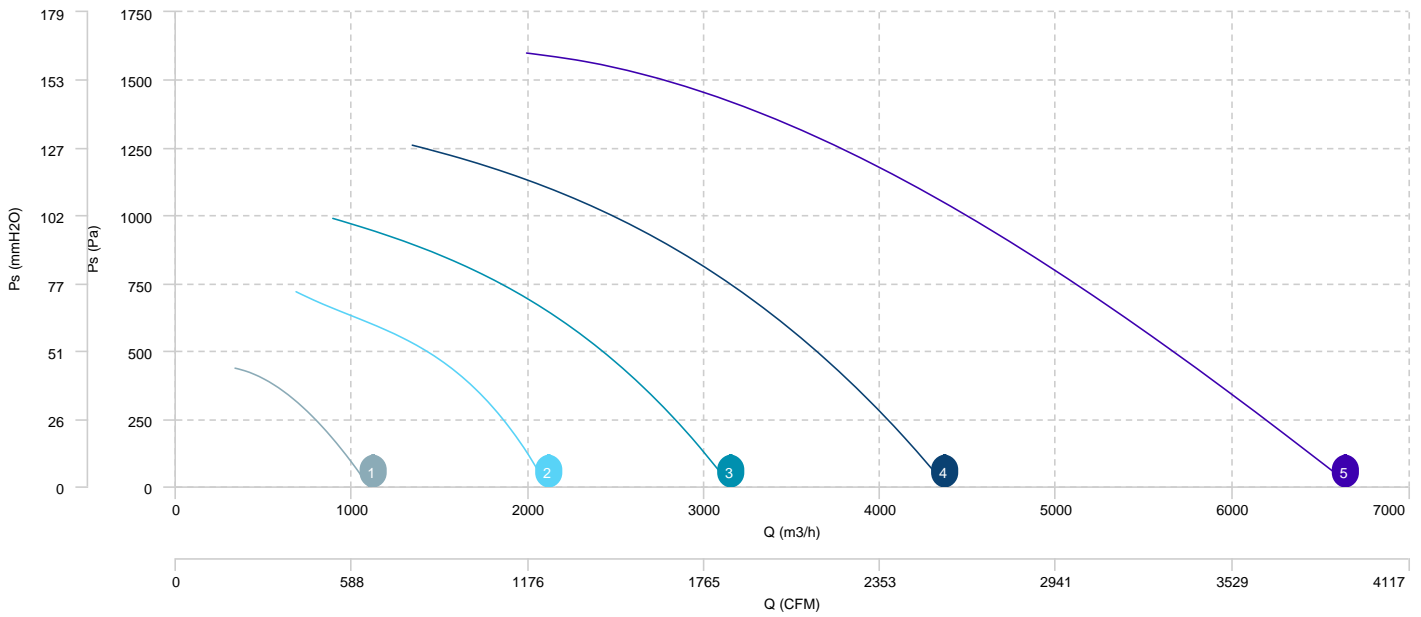
**DIAGRAM N° 1**



# CHARACTERISTIC CURVE

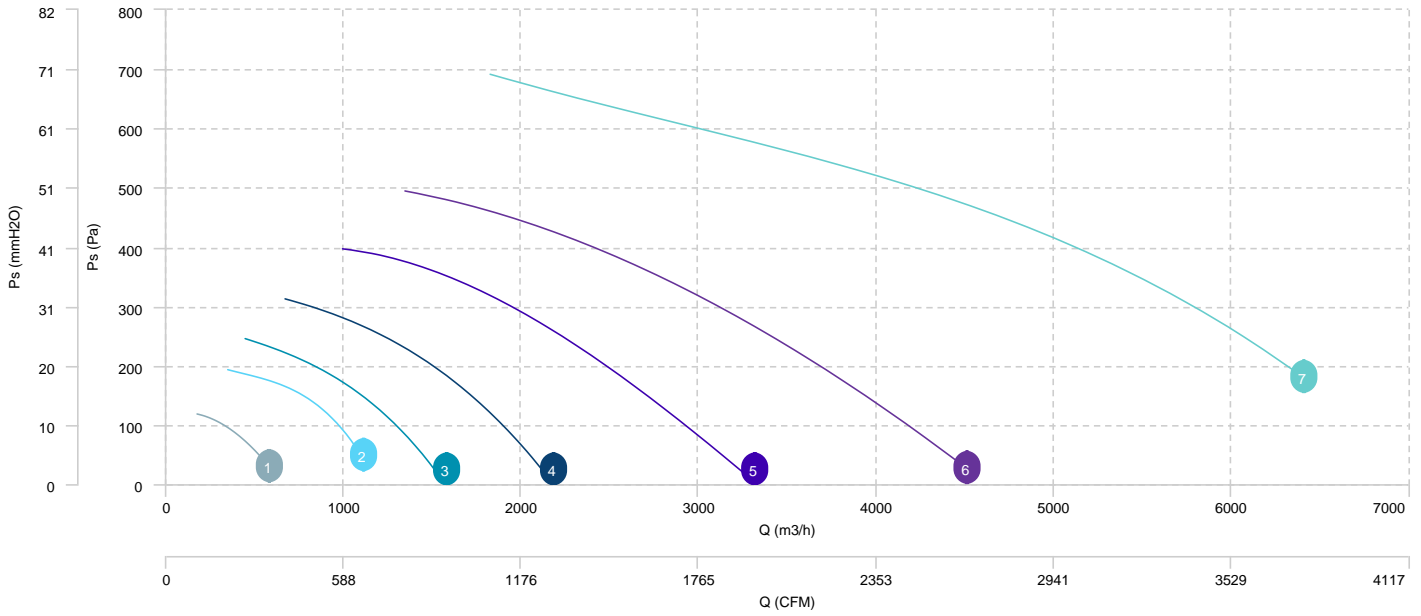
- 1 MBPX 20 T2 0,18kW
- 2 MBPX 25 T2 0,37kW
- 3 MBPX 28 T2 0,75kW
- 4 MBPX 31 T2 1,5kW
- 5 MBPX 35 T2 2,2kW

## AIR FLOW - PRESSURE



1	MBPX 20 T4 0,12kW	2	MBPX 25 T4 0,12kW	3	MBPX 28 T4 0,18kW	4	MBPX 31 T4 0,25kW
5	MBPX 35 T4 0,37kW	6	MBPX 40 T4 0,55kW	7	MBPX 45 T4 1,1kW		

## AIR FLOW - PRESSURE



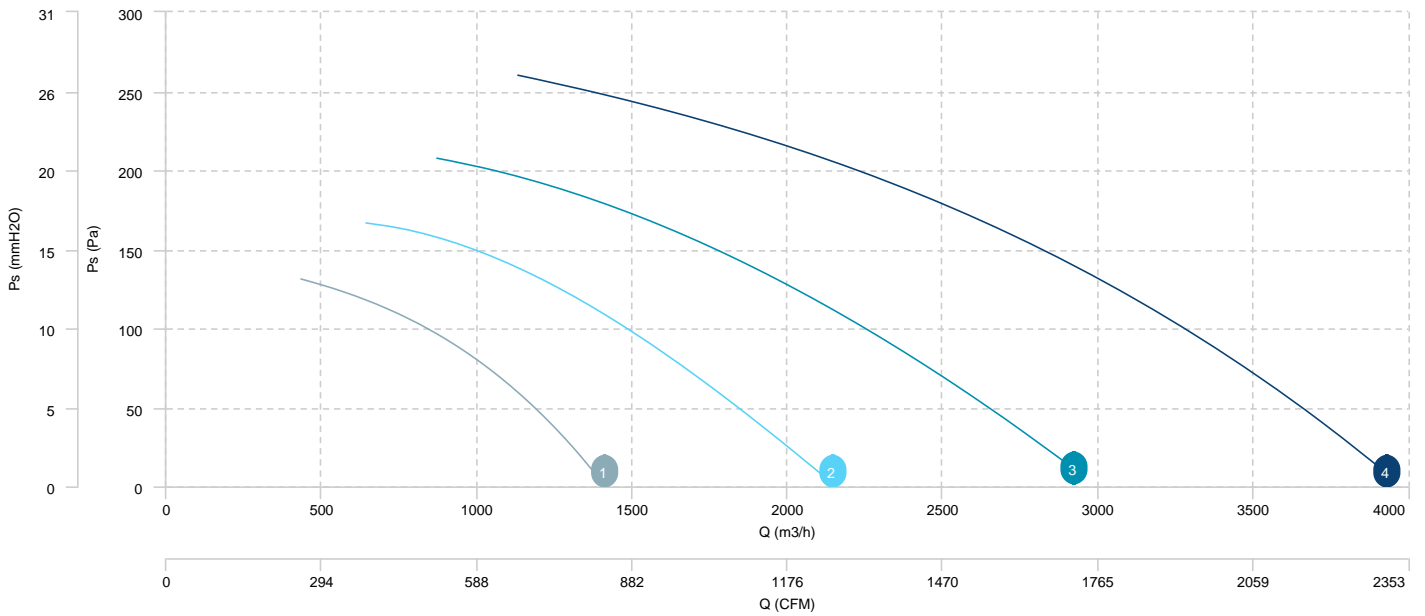
1 MBPX 31 T6 0,18kW

2 MBPX 35 T6 0,18kW

3 MBPX 40 T6 0,25kW

4 MBPX 45 T6 0,37kW

## AIR FLOW - PRESSURE





## Sound data

### Sound / 2 poles

Sound power Lw dB (A)										
Model		63 Hz	125 Hz	250 Hz	500 Hz	1000 Hz	2000 Hz	4000 Hz	8000 Hz	Total
MBPX 20 T2 0,18kW	Inlet	76	78	79	74	73	68	60	52	83
MBPX 25 T2 0,37kW	Inlet	83	85	86	81	80	75	67	59	91
MBPX 28 T2 0,75kW	Inlet	87	89	87	88	84	79	71	63	95
MBPX 31 T2 1,5kW	Inlet	90	92	90	91	87	82	74	66	97
MBPX 35 T2 2,2kW	Inlet	91	93	94	89	88	83	75	67	99

### Sound / 4 poles

Sound power Lw dB (A)										
Model		63 Hz	125 Hz	250 Hz	500 Hz	1000 Hz	2000 Hz	4000 Hz	8000 Hz	Total
MBPX 20 T4 0,12kW	Inlet	61	63	64	59	58	53	45	37	68
MBPX 25 T4 0,12kW	Inlet	68	70	71	66	65	60	52	44	75
MBPX 28 T4 0,18kW	Inlet	71	73	71	72	68	63	55	47	79
MBPX 31 T4 0,25kW	Inlet	74	76	74	75	71	66	58	50	81
MBPX 35 T4 0,37kW	Inlet	76	78	79	74	73	68	60	52	83
MBPX 40 T4 0,55kW	Inlet	81	83	84	79	78	73	65	57	88
MBPX 45 T4 1,1kW	Inlet	81	83	84	79	78	73	65	57	89

### Sound / 6 poles

Sound power Lw dB (A)										
Model		63 Hz	125 Hz	250 Hz	500 Hz	1000 Hz	2000 Hz	4000 Hz	8000 Hz	Total
MBPX 31 T6 0,18kW	Inlet	63	65	63	64	60	55	47	39	71
MBPX 35 T6 0,18kW	Inlet	65	67	68	63	62	57	49	41	73
MBPX 40 T6 0,25kW	Inlet	70	72	73	68	67	62	54	46	78
MBPX 45 T6 0,37kW	Inlet	70	72	73	68	67	62	54	46	78