

MA18-25



RADIAL ALUMINIUM IMPELLER FAN, STEEL SHEET CASING

MANUFACTURING FEATURES:

- Rolling steel sheet housing.
- Cast aluminium impeller.
- Epoxy powder finishing coat.
- Standard asynchronous squirrel-cage motor with IP-55 protection and Class F insulation. Manufactured with standard voltages: 230V 50Hz in single phase motors and 230/400V 50Hz in three phase motors.
- Standard position LG 270.

APPLICATIONS:

Designed for inline installation, they are suitable for:

- Industrial applications, extraction or injection of air.
- Cooling of machines and parts.
- Clean and slightly dusty air transport.
- Maximum working temperature: carried air: 130°C, ambient: 60°C.

UNDER REQUEST:

- 60Hz fans and special voltages.
- Position: LG 0, LG 90, LG 180.

Accessories



AC



FILTRO
EMC



INT



JE-45



RA



RBS



SFC

Technical data

Single-phase motor

Code	Model	R.P.M.	Rated I. (A) 230V	Rated power kW	Max. Airflow m3/h	Sound db (A)*	Weight	Connect. diagram
253180162	MA 18 M2 0,09kW	2800	0,75	0,09	180	53	6	1
253220162	MA 24 M2 0,09kW	2800	0,75	0,09	260	56	7	1
253270162	MA 25 M2 0,18kW	2800	1,42	0,18	480	58	11	1

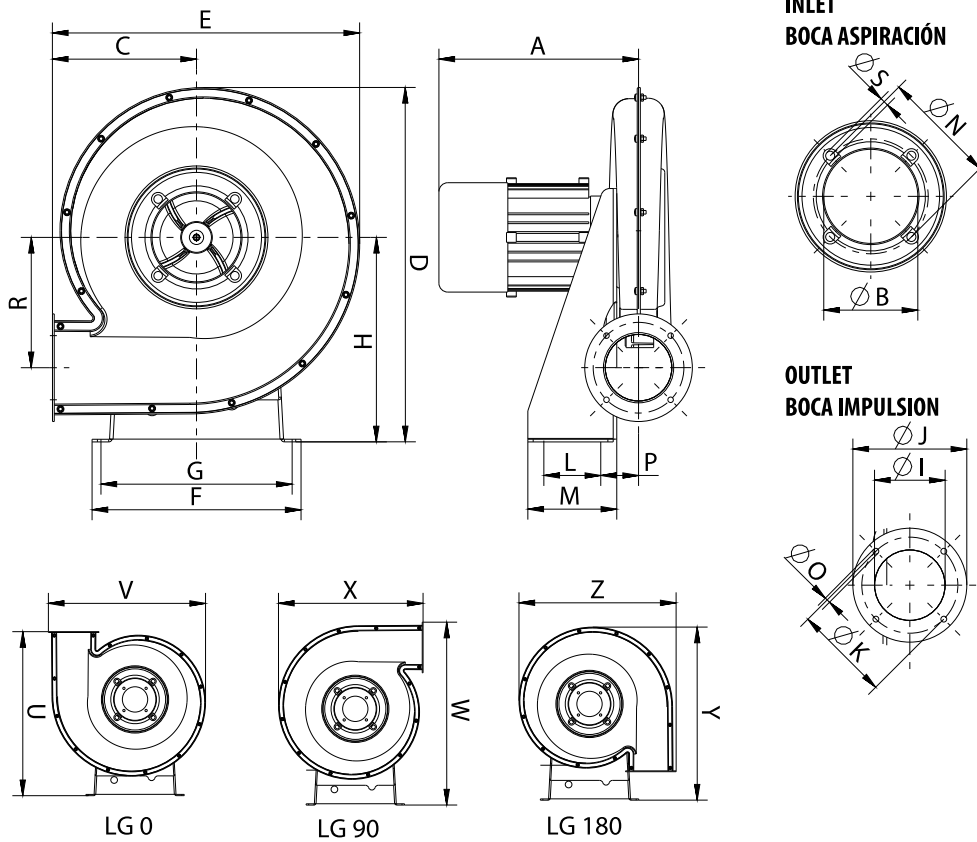
Three-phase motor

Code	Model	R.P.M.	Rated I. (A) 400V	Rated power kW	Max. Airflow m3/h	Sound db (A)*	Weight	Connect. diagram
253180161	MA 18 T2 0,09kW	2800	0,32	0,10	180	53	6	2
253220161	MA 24 T2 0,09kW	2800	0,32	0,10	260	56	7	2
253270161	MA 25 T2 0,18kW	2800	0,51	0,18	480	58	11	2

Notes:

* Total sound pressure level at the point of maximum flow measured in dB(A) in the suction measured in free field at a distance of 6m from the source

Dimensions



Model	A (aprox)	BØ	C	D	E	F	G	H	IØ
MA 18 M2 0,09kW	200	80	120	298	260	190	170	170	50
MA 18 T2 0,09kW	200	80	120	298	260	190	170	170	50
MA 24 M2 0,09kW	200	90	150	353	313	230	210	200	62
MA 24 T2 0,09kW	200	90	150	353	313	230	210	200	62
MA 25 M2 0,18kW	216,5	100	162	398,5	345,5	235	215	230	75
MA 25 T2 0,18kW	216,5	100	162	398,5	345,5	235	215	230	75

Model	JØ	KØ	L	M	NØ	OØ	P	R	S
MA 18 M2 0,09kW	82	72	50	80	100	5,2	48	113,5	M6
MA 18 T2 0,09kW	82	72	50	80	100	5,2	48	113,5	M6
MA 24 M2 0,09kW	101,5	88	50	90	112	6,2	54,5	127,5	M6
MA 24 T2 0,09kW	101,5	88	50	90	112	6,2	54,5	127,5	M6
MA 25 M2 0,18kW	121	102	60	100	122	6,2	62	146,5	M6
MA 25 T2 0,18kW	121	102	60	100	122	6,2	62	146,5	M6

Model	U	V	W	X	Y	Z
-------	---	---	---	---	---	---

Model	U	V	W	X	Y	Z
MA 18 M2 0,09kW	290	283	324,5	260	310	283
MA 18 T2 0,09kW	290	283	324,5	260	310	283
MA 24 M2 0,09kW	350	331	378,5	313	363	331
MA 24 T2 0,09kW	350	331	378,5	313	363	331
MA 25 M2 0,18kW	392	375,5	437	345,5	413,5	375,5
MA 25 T2 0,18kW	392	375,5	437	345,5	413,5	375,5

Wiring diagram

DIAGRAM N° 1

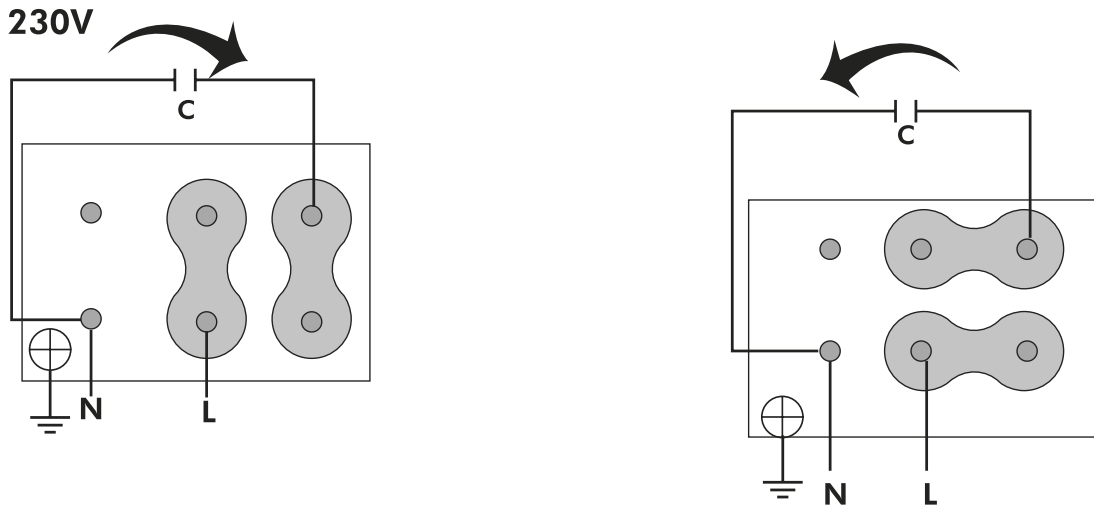
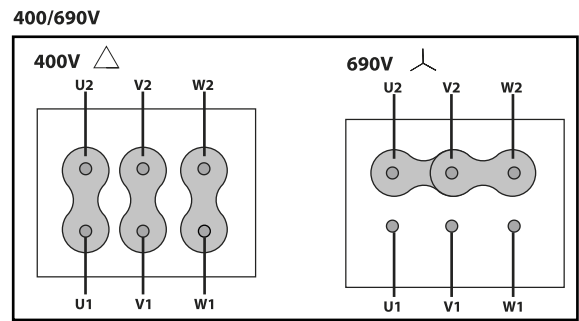
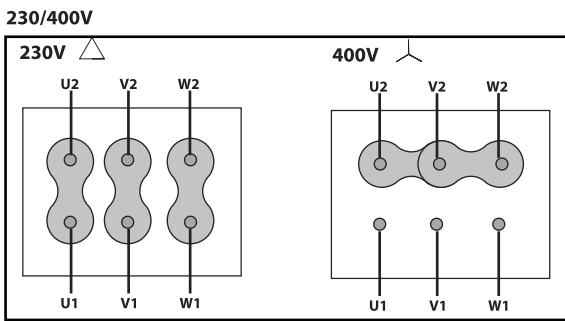


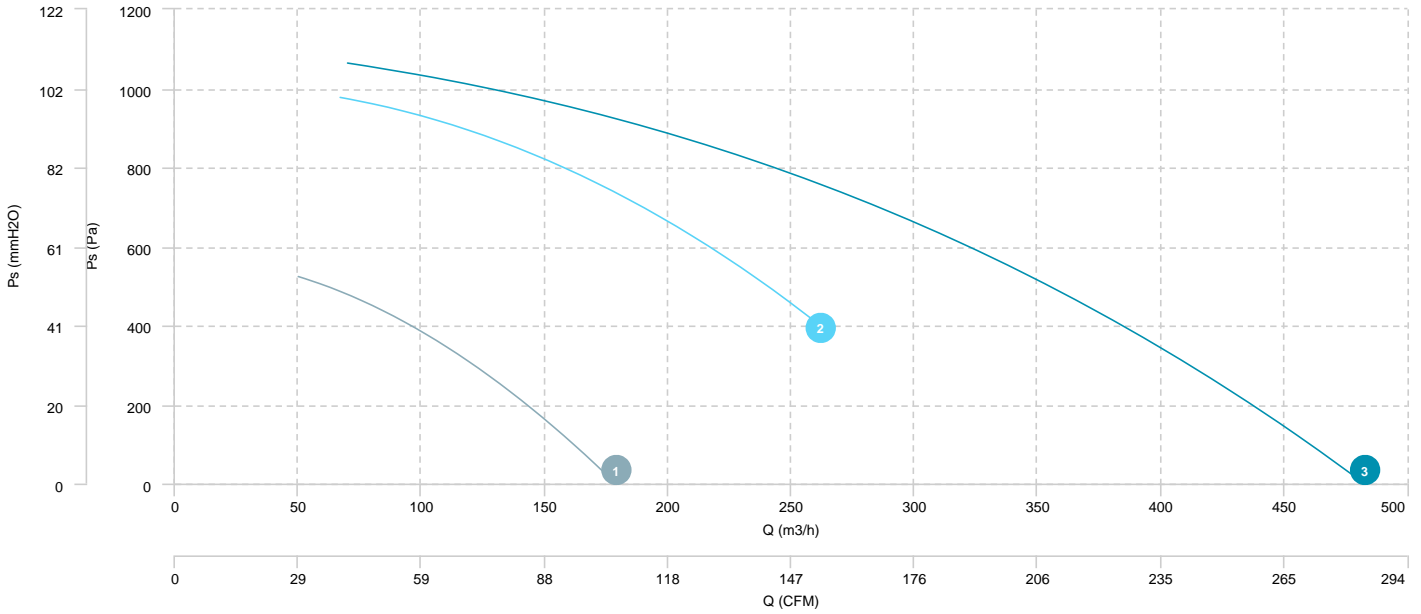
DIAGRAM N° 2



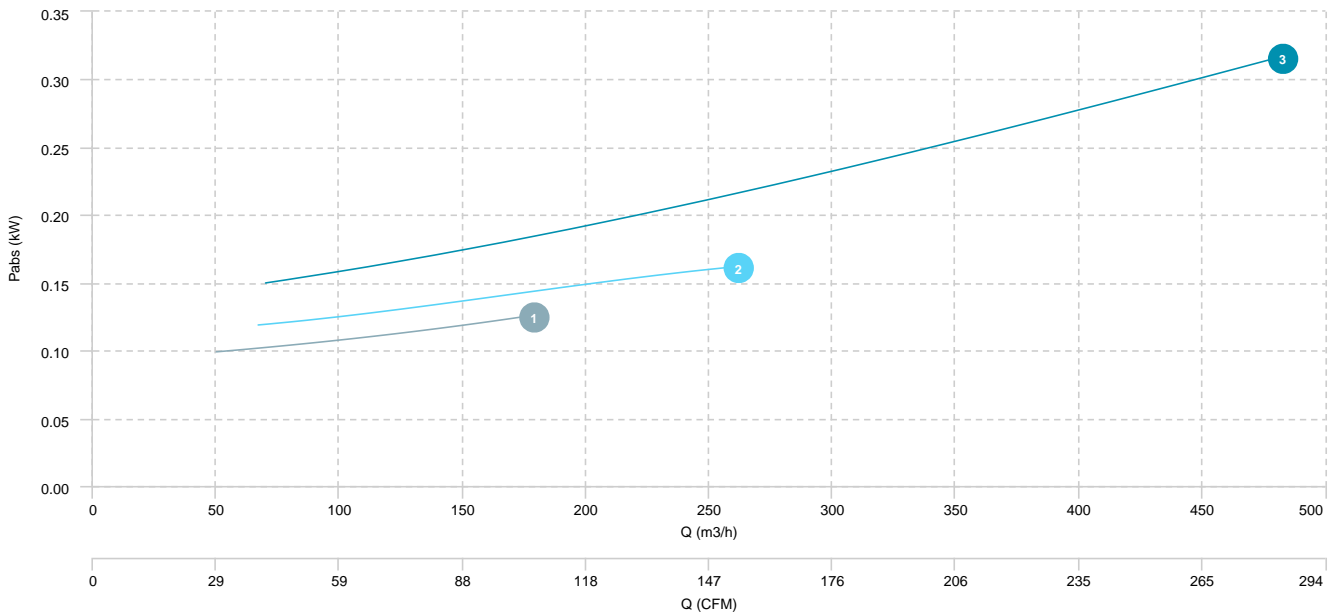
CHARACTERISTIC CURVE

- 1 MA 18 M2 0,09kW
- 2 MA 24 M2 0,09kW
- 3 MA 25 M2 0,18kW

AIR FLOW - PRESSURE



AIR FLOW - ABSORBED POWER

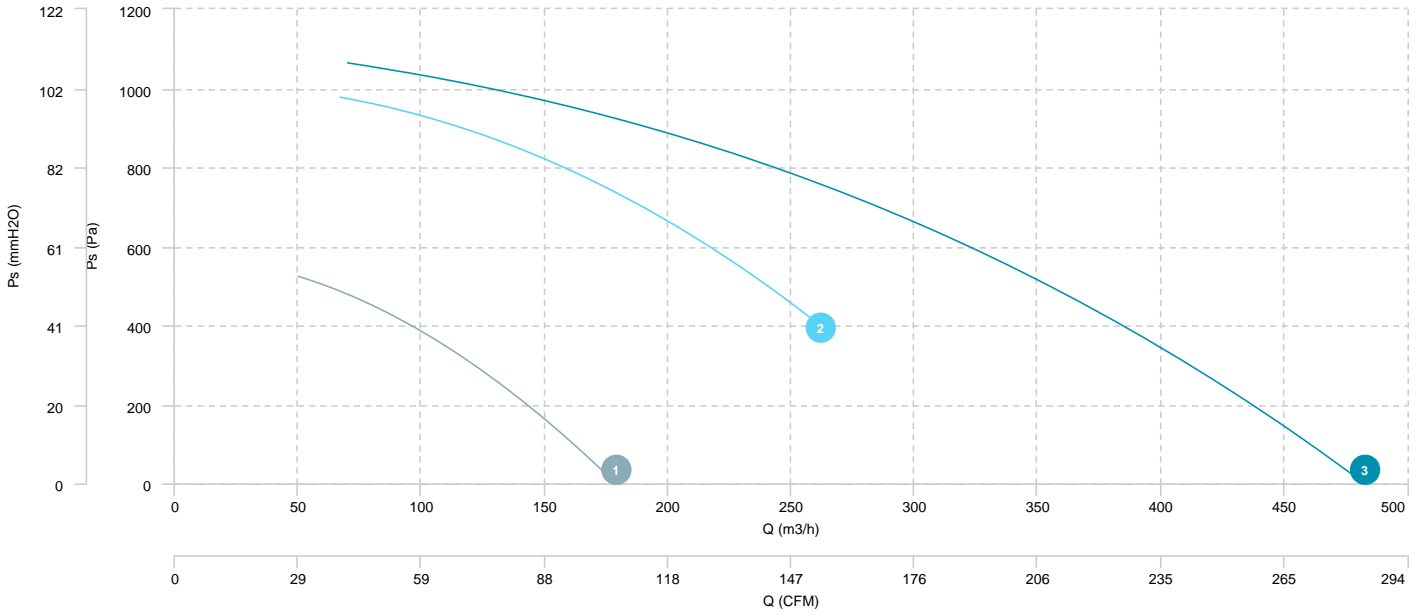


1 MA 18 T2 0,09kW

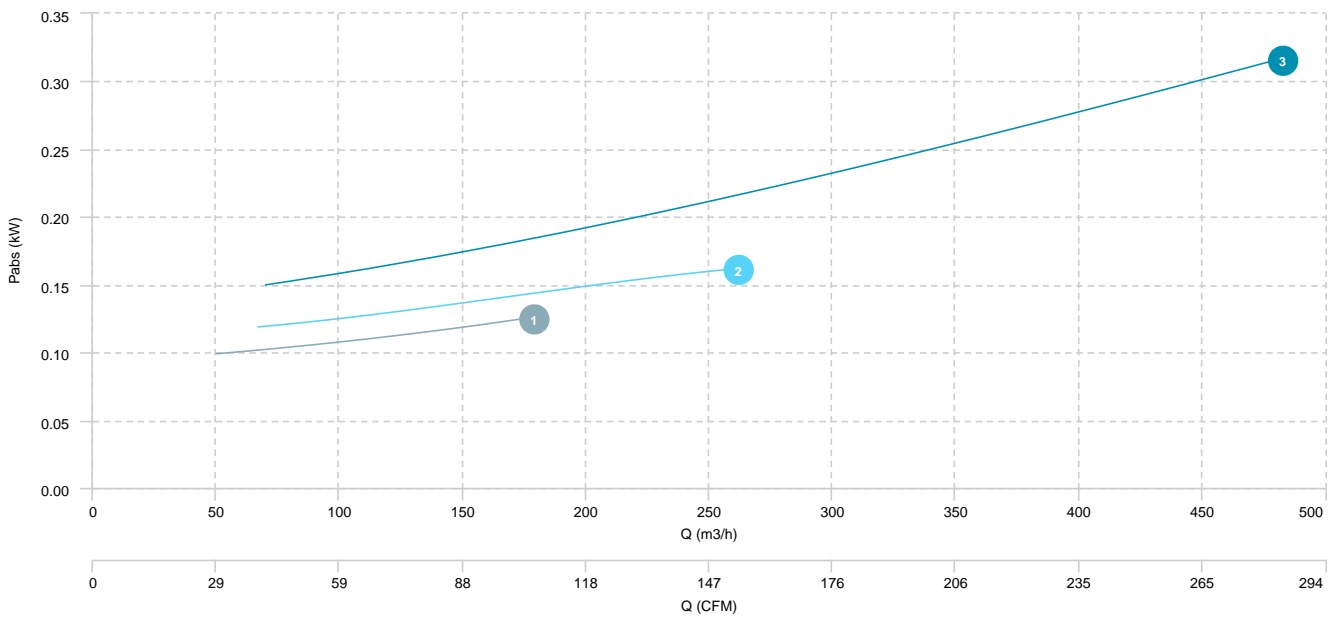
2 MA 24 T2 0,09kW

3 MA 25 T2 0,18kW

AIR FLOW - PRESSURE



AIR FLOW - ABSORBED POWER



Sound data

Sound power Lw dB (A)										
Model		63 Hz	125 Hz	250 Hz	500 Hz	1000 Hz	2000 Hz	4000 Hz	8000 Hz	Total
MA 18 M2 0,09kW	Inlet	39	45	69	76	74	66	57	49	79
MA 18 T2 0,09kW	Inlet	39	45	69	76	74	66	57	49	79
MA 24 M2 0,09kW	Inlet	42	48	73	79	77	69	60	52	82
MA 24 T2 0,09kW	Inlet	42	48	73	79	77	69	60	52	82
MA 25 M2 0,18kW	Inlet	44	50	75	81	79	72	62	55	84
MA 25 T2 0,18kW	Inlet	44	50	75	81	79	72	62	55	84

erp data

ERP	
Fan type	Centrifugal fan radial or forward blades
Installation category	B
Efficiency category	Total
The fan has to be installed with FSC	No

Model	Motor power (kW)	Maximum efficiency point data						
		Max. efficiency (%)	Efficiency grade (N) (N)	Air Flow (m3/h)	Pt (Pa)	Pabs (kW)	speed (rpm)	Specific ratio
MA 24 M2 0,09kW	0,09	34,32	45,67	249,99	515,85	0,16	2800	1,00
MA 24 T2 0,09kW	0,09	34,32	45,67	249,99	515,85	0,16	2800	1,00
MA 25 M2 0,18kW	0,18	32,08	42,40	300,43	716,72	0,23	2800	1,00
MA 25 T2 0,18kW	0,18	32,08	42,40	300,43	716,72	0,23	2800	1,00