

HTE



**AXIAL WITH FIBERGLASS COWL**

**MANUFACTURING FEATURES**

- Roof cowl made of reinforced fiberglass.
- Roof base support and bird protection guard with polyester powder finishing coat.
- Assembled on HJBM fans.
- Variable pitch angle (stopped and in origin) polyamide impeller reinforced with fiberglass.
- Squirrel cage asynchronous standard motor, IP-55 protection and rated class F insulation. Standard voltages 230V 50Hz for single phase motors, 230/400V 50Hz and for three phase motors.

**APPLICATIONS:**

Specially designed for roof installation, they are suitable for:

- Air renewal in buildings and industries.
- Smoke extraction.
- Maximum working temperature: single phase 50°C, three phase 60°C.

**AVAILABLE ON REQUEST**

- B Form impeller (air flow from impeller to motor).
- 60Hz.
- 100% reversible impeller.
- Aluminium impeller.

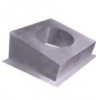
**Accessories**



AC



BAD



BTI



FILTRO  
EMC



INT



JE 45



SFC

## Technical data

### Single-phase motor / 4 poles

Code	Model	R.P.M.	Rated I. (A) 230V	Rated power kW	Max. Airflow m3/h	Sound db (A)**	Weight	Connect. diagram
2673530640	HTE 35 M4 0,12kW	1400	-	0,12	2.650	44	15	1
2674030640	HTE 40 M4 0,18kW	1400	1,55	0,18	3.810	46	21	1
2674530640	HTE 45 M4 0,37kW	1400	2,82	0,37	5.300	48	28	1
2675030640	HTE 50 M4 0,55kW	1400	3,98	0,55	7.000	51	35	1
2675630640	HTE 56 M4 0,75kW	1400	5,21	0,75	9.210	57	42	1

### Single-phase motor / 6 poles

Code	Model	R.P.M.	Rated I. (A) 230V	Rated power kW	Max. Airflow m3/h	Sound db (A)**	Weight	Connect. diagram
2675730640	HTE 56 M6 0,25kW	870	2,42	0,25	5.990	47	41	1

### Three-phase motor / 4 poles

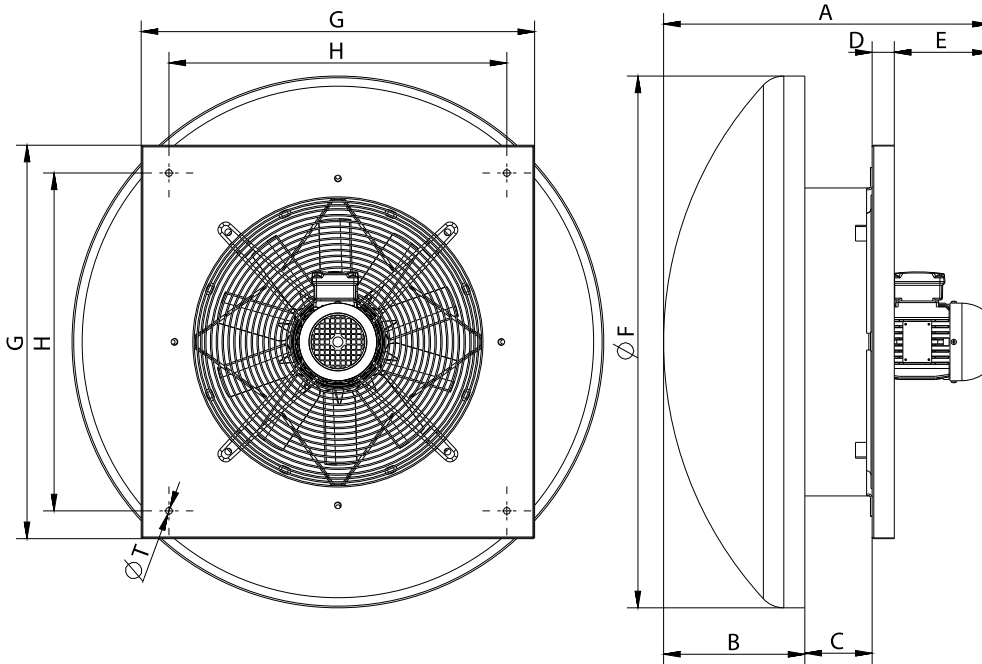
Code	Model	R.P.M.	Rated I. (A) 400V	Rated power kW	Max. Airflow m3/h	Sound db (A)**	Weight	Connect. diagram
2673560640	HTE 35 T4 0,12kW	1400	0,46	0,12	2.650	44	15	2
2674060640	HTE 40 T4 0,18kW	1400	0,62	0,18	3.810	46	21	2
2674560640	HTE 45 T4 0,37kW	1400	1,07	0,37	5.300	48	28	2
2675060640	HTE 50 T4 0,55kW	1400	1,49	0,55	7.000	51	35	2
2675660640	HTE 56 T4 0,75kW	1390	1,63	0,75	9.210	57	42	2

### Three-phase motor / 6 poles

Code	Model	R.P.M.	Rated I. (A) 400V	Rated power kW	Max. Airflow m3/h	Sound db (A)**	Weight	Connect. diagram
2675760640	HTE 56 T6 0,25kW	900	0,92	0,25	5.990	47	41	2

**Notes:**  
 \*\* Total sound pressure level at the point of maximum flow measured in dB(A) in the suction measured in free field at a distance of 6m from the source

## Dimensions



Model	A	B	C	D	E	FØ	G	H	TØ
HTE 35 M4 0,12kW	-	-	-	-	-	-	-	-	-
HTE 35 T4 0,12kW	497,5	230	115	40	112,5	755	630	535	12
HTE 40 M4 0,18kW	530	230	115	40	146	755	630	535	12
HTE 40 T4 0,18kW	530	230	115	40	146	755	630	535	12
HTE 45 M4 0,37kW	592	255	125	40	172	960	710	590	14
HTE 45 T4 0,37kW	592	255	125	40	172	960	710	590	14
HTE 50 M4 0,55kW	731	290	220	50	171	1080	905	750	14
HTE 50 T4 0,55kW	731	290	220	50	171	1080	905	750	14
HTE 56 M4 0,75kW	754	290	220	50	194	1080	905	750	14
HTE 56 M6 0,25kW	754	290	220	50	194	1080	905	750	14
HTE 56 T4 0,75kW	754	290	220	50	194	1080	905	750	14
HTE 56 T6 0,25kW	754	290	220	50	194	1080	905	750	14

## Wiring diagram

DIAGRAM N° 1

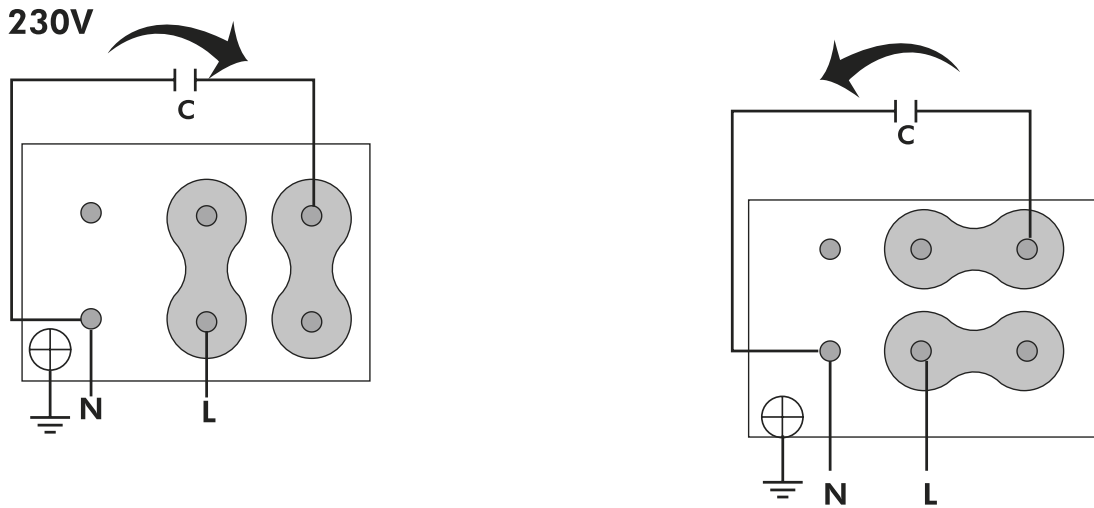
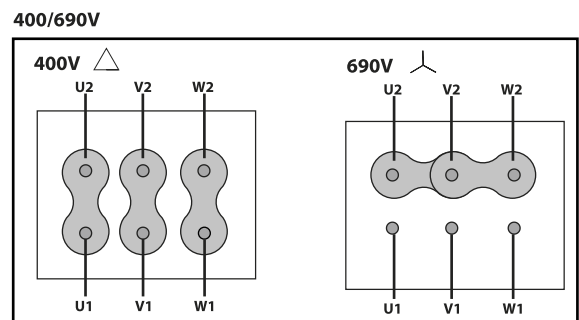
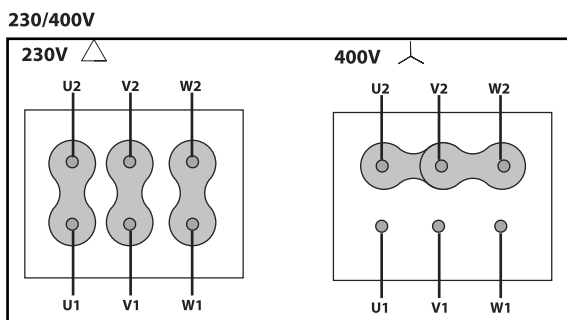


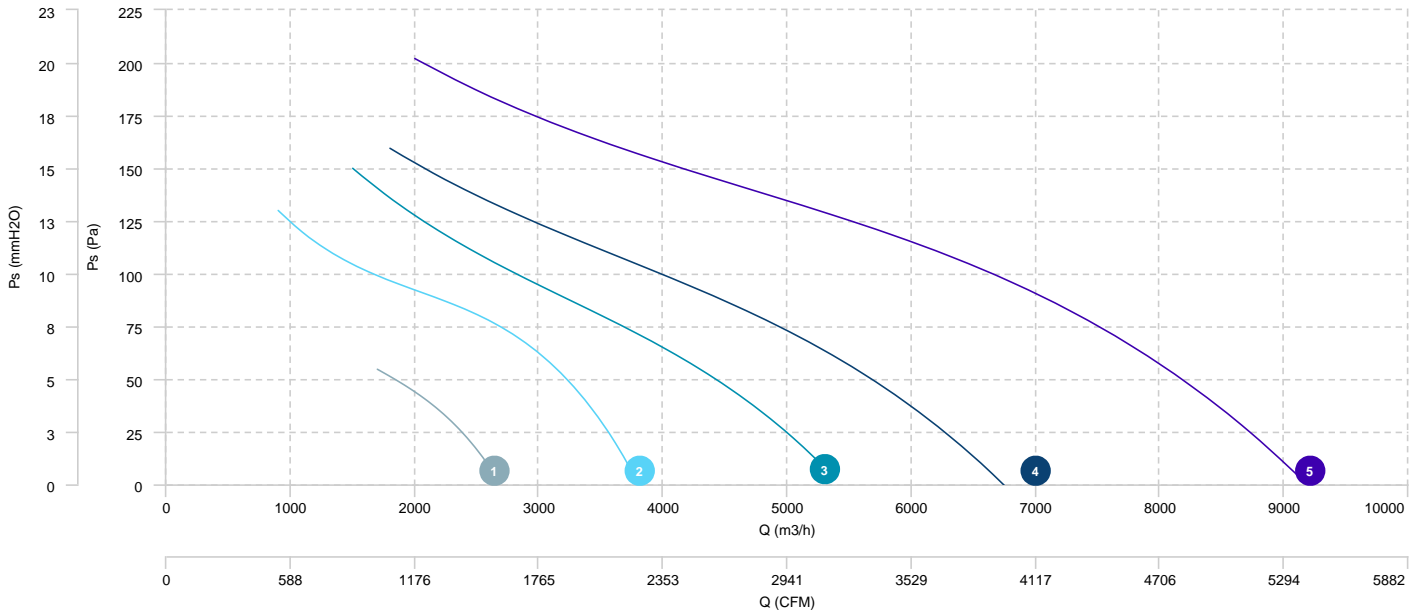
DIAGRAM N° 2



# CHARACTERISTIC CURVE

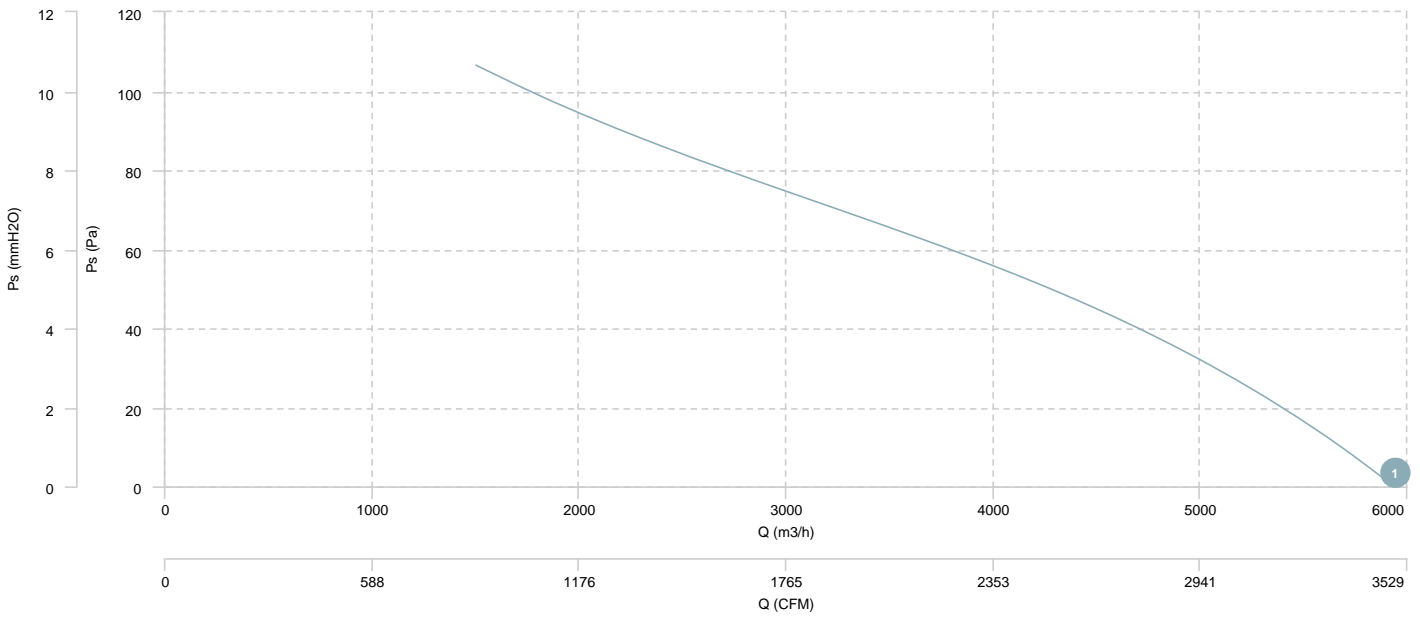
- 1 HTE 35 M4 0,12kW
- 2 HTE 40 M4 0,18kW
- 3 HTE 45 M4 0,37kW
- 4 HTE 50 M4 0,55kW
- 5 HTE 56 M4 0,75kW

## AIR FLOW - PRESSURE



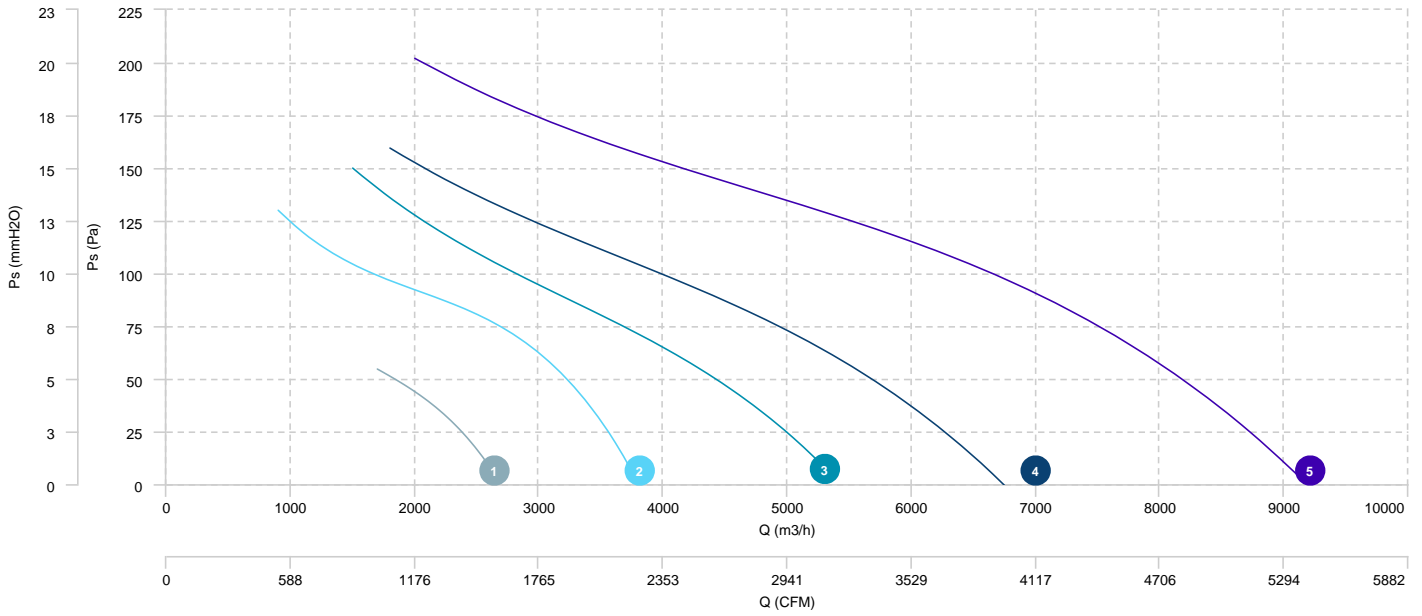
1 HTE 56 M6 0,25kW

## AIR FLOW - PRESSURE



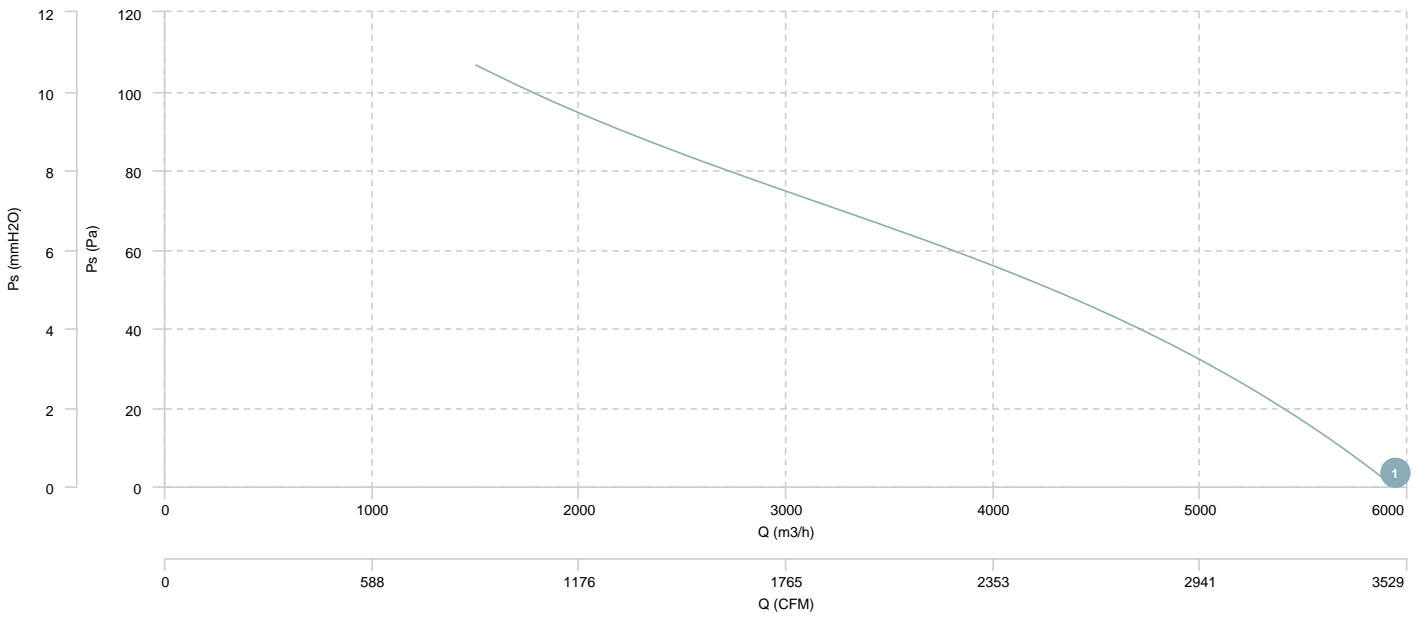
- 1 HTE 35 T4 0,12kW
- 2 HTE 40 T4 0,18kW
- 3 HTE 45 T4 0,37kW
- 4 HTE 50 T4 0,55kW
- 5 HTE 56 T4 0,75kW

## AIR FLOW - PRESSURE



1 HTE 56 T6 0,25kW

AIR FLOW - PRESSURE





## Sound data

### Sound / 4 poles

Sound power Lw dB (A)										
Model		63 Hz	125 Hz	250 Hz	500 Hz	1000 Hz	2000 Hz	4000 Hz	8000 Hz	Total
HTE 35 M4 0,12kW	Inlet	29	48	60	65	66	61	54	49	70
HTE 35 T4 0,12kW	Inlet	29	48	60	65	66	61	54	49	70
HTE 40 M4 0,18kW	Inlet	31	49	61	66	68	62	55	50	72
HTE 40 T4 0,18kW	Inlet	31	49	61	66	68	62	55	50	72
HTE 45 M4 0,37kW	Inlet	34	52	64	69	71	65	58	53	74
HTE 45 T4 0,37kW	Inlet	34	52	64	69	71	65	58	53	74
HTE 50 M4 0,55kW	Inlet	37	55	67	72	74	68	61	56	77
HTE 50 T4 0,55kW	Inlet	37	55	67	72	74	68	61	56	77
HTE 56 M4 0,75kW	Inlet	44	62	74	78	79	75	69	60	83
HTE 56 T4 0,75kW	Inlet	44	62	74	78	79	75	69	60	83

### Sound / 6 poles

Sound power Lw dB (A)										
Model		63 Hz	125 Hz	250 Hz	500 Hz	1000 Hz	2000 Hz	4000 Hz	8000 Hz	Total
HTE 56 M6 0,25kW	Inlet	34	52	64	68	69	65	59	51	73
HTE 56 T6 0,25kW	Inlet	34	52	64	68	69	65	59	51	73