

HMTM



AXIAL WITH METALIC COWL

MANUFACTURING FEATURES:

- Roof cowl made of galvanizez steel.
- Roof base support and bird protection guard with polyester powder coat finishing.
- Assembled on HM fans.(tubular)
- Variable pitch angle polyamide impeller reinforced with fibreglass.
- Squirrel cage asynchronous standard motor, IP-55 protection and rated class F insulation. Standard voltages 230V 50Hz for single phase motors, 230/400V 50Hz and for three phase motors up to 4kW and 400/690V 50Hz for higher powers.

APPLICATIONS:

Specially designed for roof installation, they are suitable for:

- Air renewal in buildings and industries.
- Smoke extraction.
- Maximum working temperature: 1ph 50°C, 3ph 60°C.

AVAILABLE ON REQUEST

- B form impeller (air flow from impeller to motor)
- Reversible impeller 100%
- Cast aluminium impellers.
- 60Hz fans and special voltages.
- 2 speed motors.
- Hot dip galvanised and stainless steel housings.
- Reinforced fibreglass sheet cowl.

Technical data

Single-phase motor / 4 poles

Code	Model	R.P.M.	Rated I. (A) 230V	Rated power kW	Max. Airflow m3/h	Sound db (A)**	Weight	Connect. diagram
-	HMTM 35 M4 0,12kW	1380	1,15	0,12	2.320	44	16	1
-	HMTM 40 M4 0,25kW	1400	1,93	0,25	3.750	48	20	1
-	HMTM 45 M4 0,55kW	1400	3,98	0,55	5.220	52	28	1

Single-phase motor / 6 poles

Code	Model	R.P.M.	Rated I. (A) 230V	Rated power kW	Max. Airflow m3/h	Sound db (A)**	Weight	Connect. diagram
-	HMTM 63 M6 0,55kW	890	3,9	0,55	8.400	47	53	1

Three-phase motor / 4 poles

Code	Model	R.P.M.	Rated I. (A) 400V	Rated power kW	Max. Airflow m3/h	Sound db (A)**	Weight	Connect. diagram
-	HMTM 35 T4 0,12kW	1400	0,46	0,12	2.320	44	16	2
-	HMTM 40 T4 0,25kW	1400	0,79	0,25	3.750	48	20	2
-	HMTM 45 T4 0,55kW	1400	1,49	0,55	5.220	52	28	2
-	HMTM 56 T4 0,75kW	1390	1,63	0,75	8.400	54	36	2
-	HMTM 63 T4 1,5kW	1400	3,26	1,50	12.960	56	53	2
-	HMTM 71 T4 2,2kW	1430	4,64	2,20	18.000	60	61	2
-	HMTM 80 T4 3kW	1430	6,17	3	24.080	62	101	2
-	HMTM 90 T4 4kW	1440	8,32	4	30.880	69	117	2

Three-phase motor / 6 poles

Code	Model	R.P.M.	Rated I. (A) 400V	Rated power kW	Max. Airflow m3/h	Sound db (A)**	Weight	Connect. diagram
-	HMTM 63 T6 0,55kW	900	1,8	0,55	8.400	47	53	2
-	HMTM 71 T6 0,75kW	910	1,95	0,75	13.120	51	62	2
-	HMTM 80 T6 1,1kW	910	2,78	1,10	18.080	52	100	2
-	HMTM 90 T6 1,5kW	940	3,71	1,50	22.000	61	113	2

Notes:
 ** Total sound pressure level at the point of maximum flow measured in dB(A) in the suction measured in free field at a distance of 6m from the source

Wiring diagram

DIAGRAM Nº 1

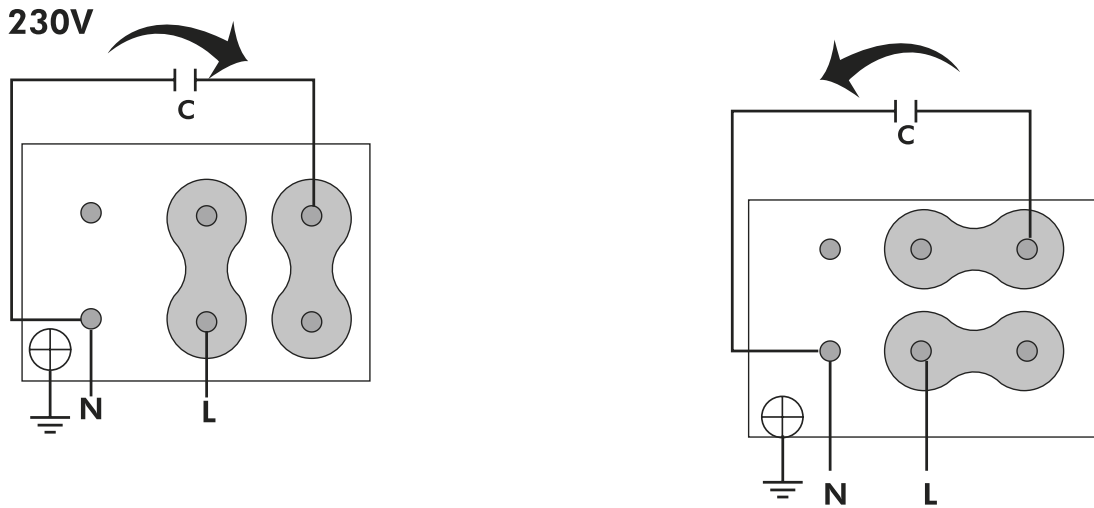
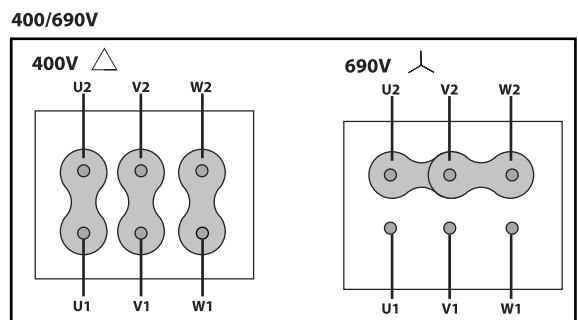
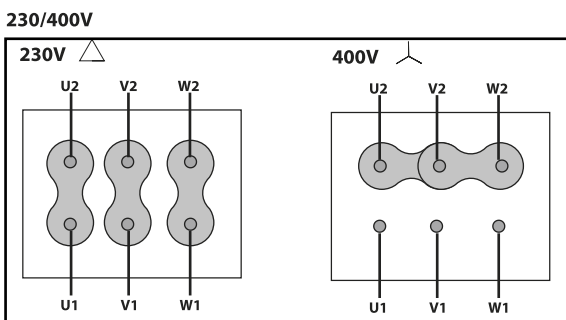


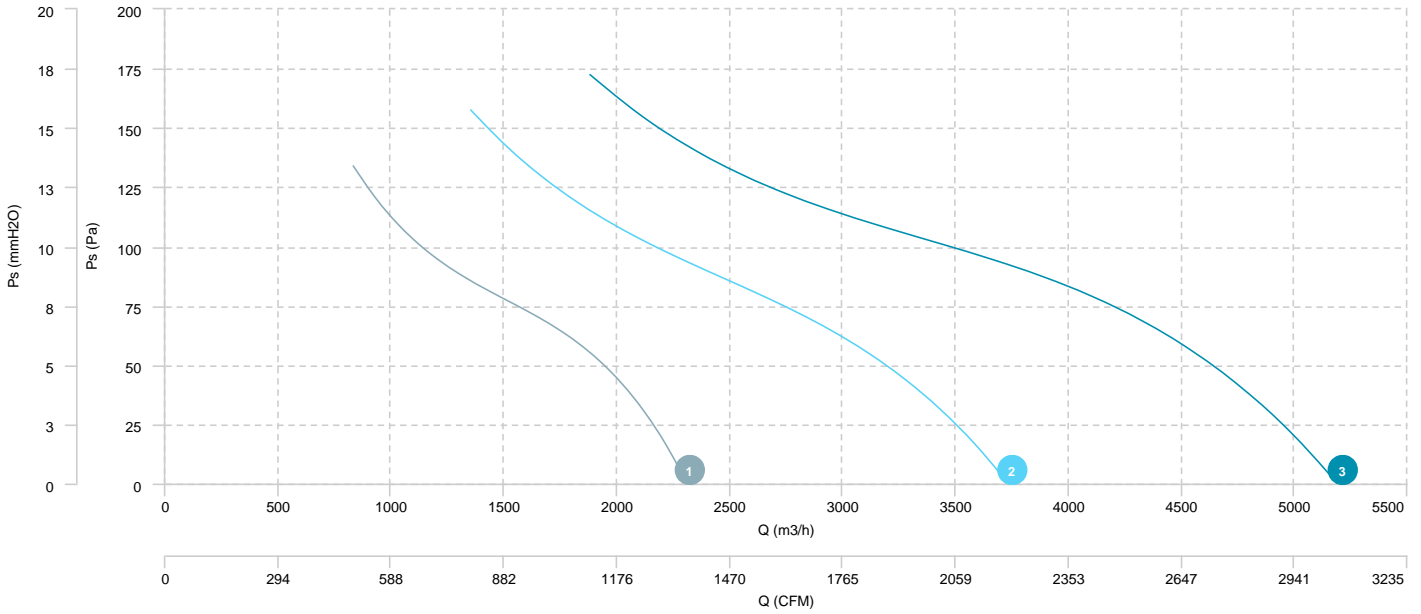
DIAGRAM Nº 2



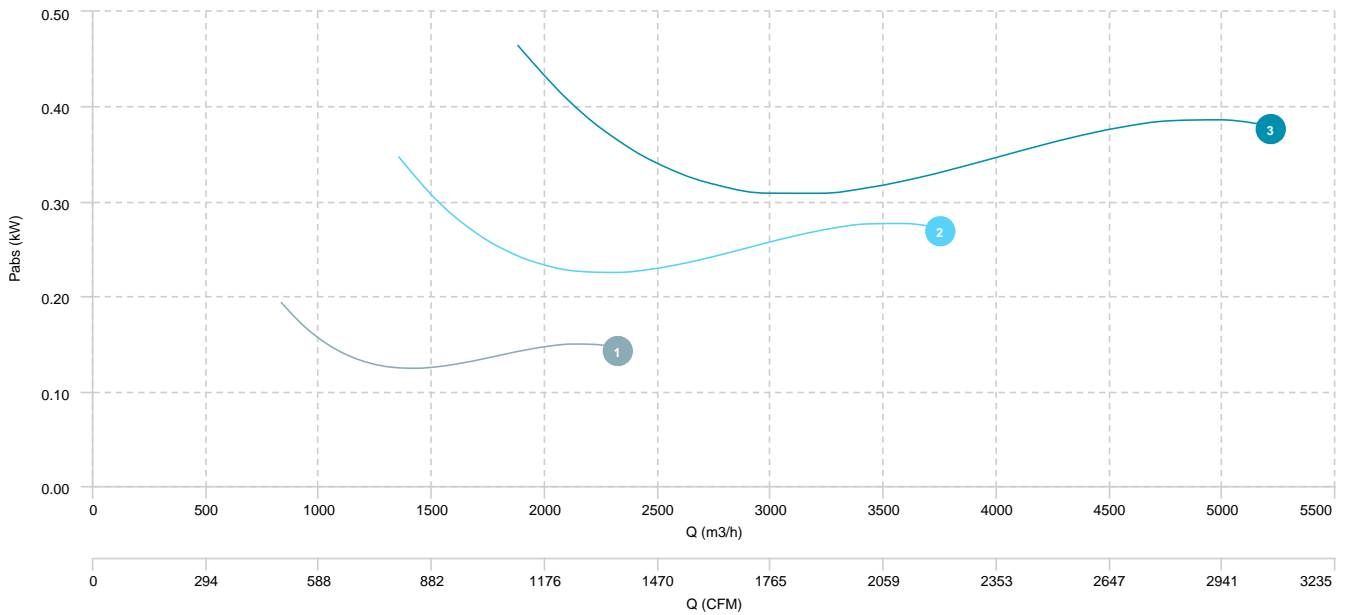
CHARACTERISCTIC CURVE

- 1 HMTM 35 M4 0,12kW
- 2 HMTM 40 M4 0,25kW
- 3 HMTM 45 M4 0,55kW

AIR FLOW - PRESSURE

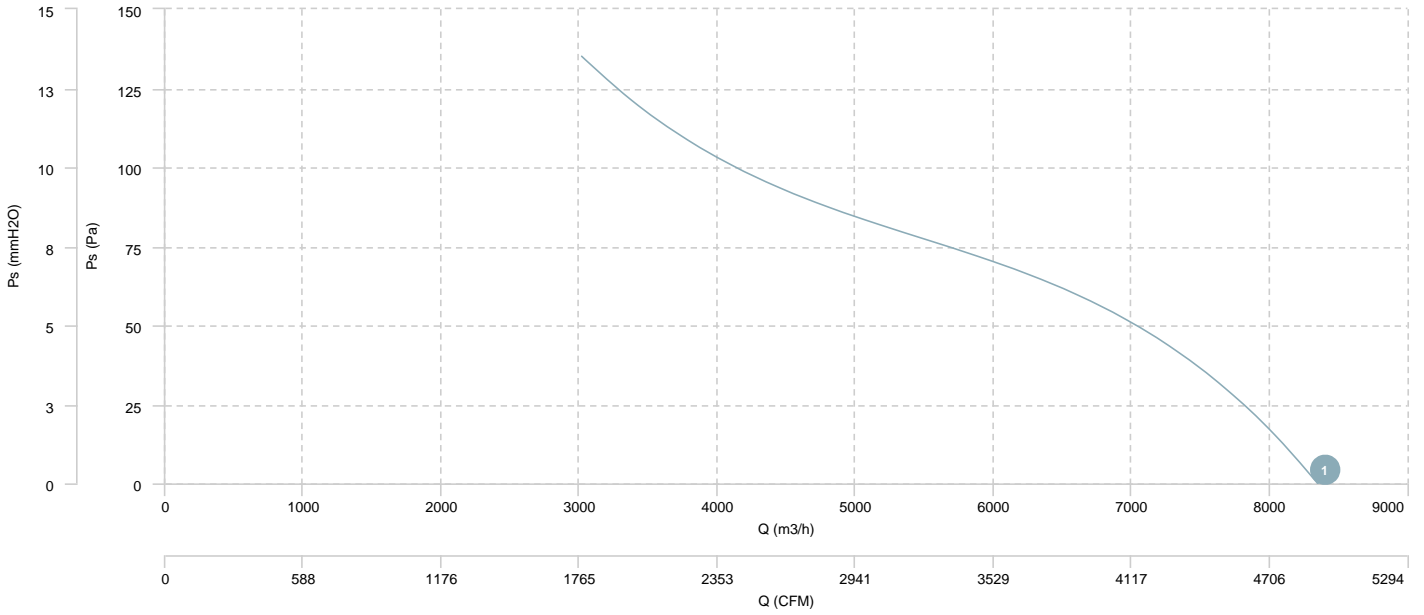


AIR FLOW - ABSORBED POWER

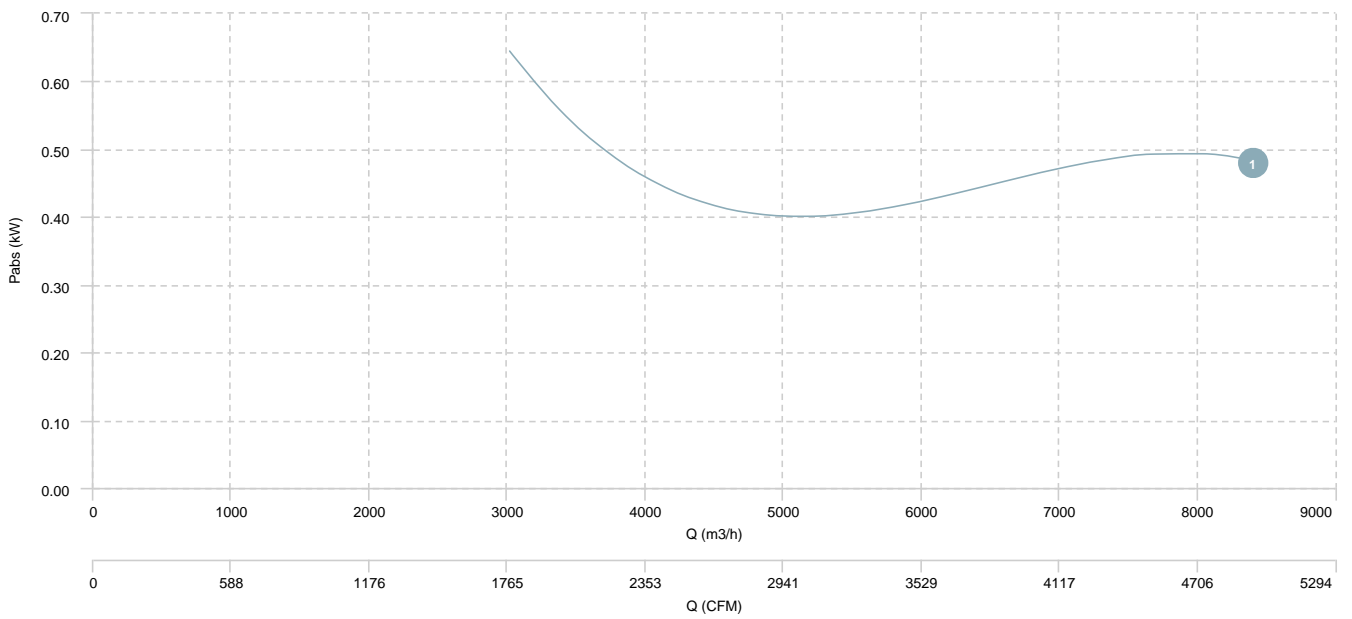


1 HMTM 63 M6 0,55kW

AIR FLOW - PRESSURE

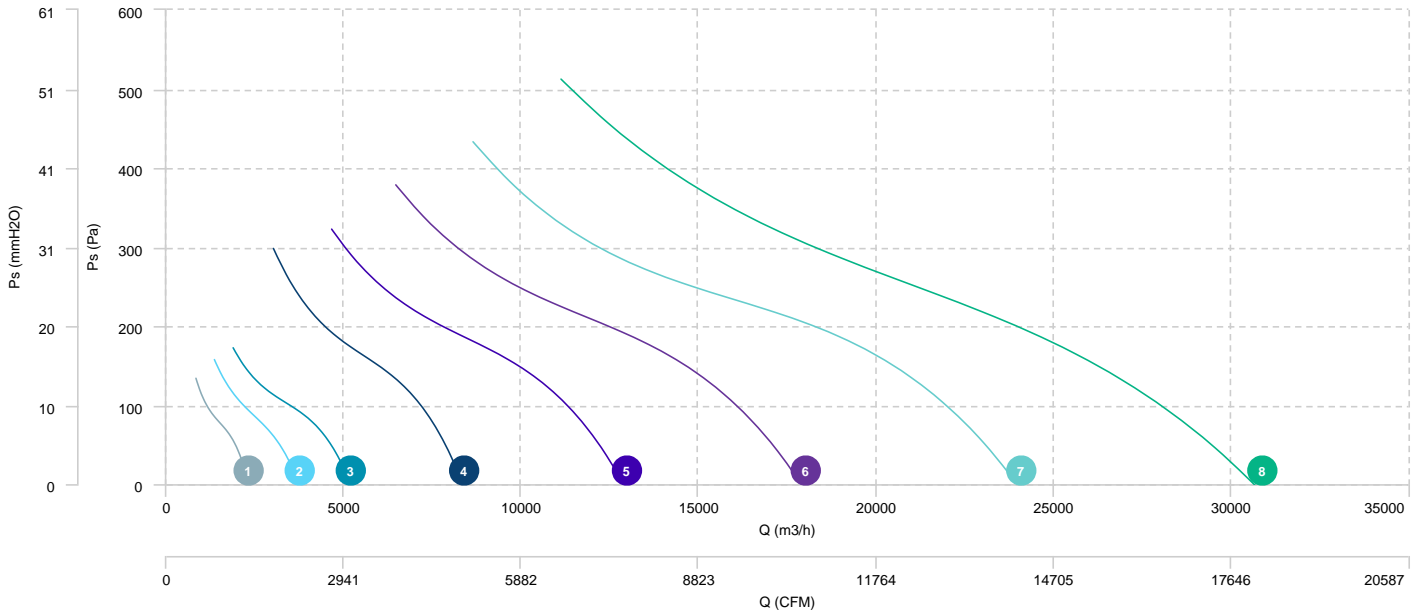


AIR FLOW - ABSORBED POWER

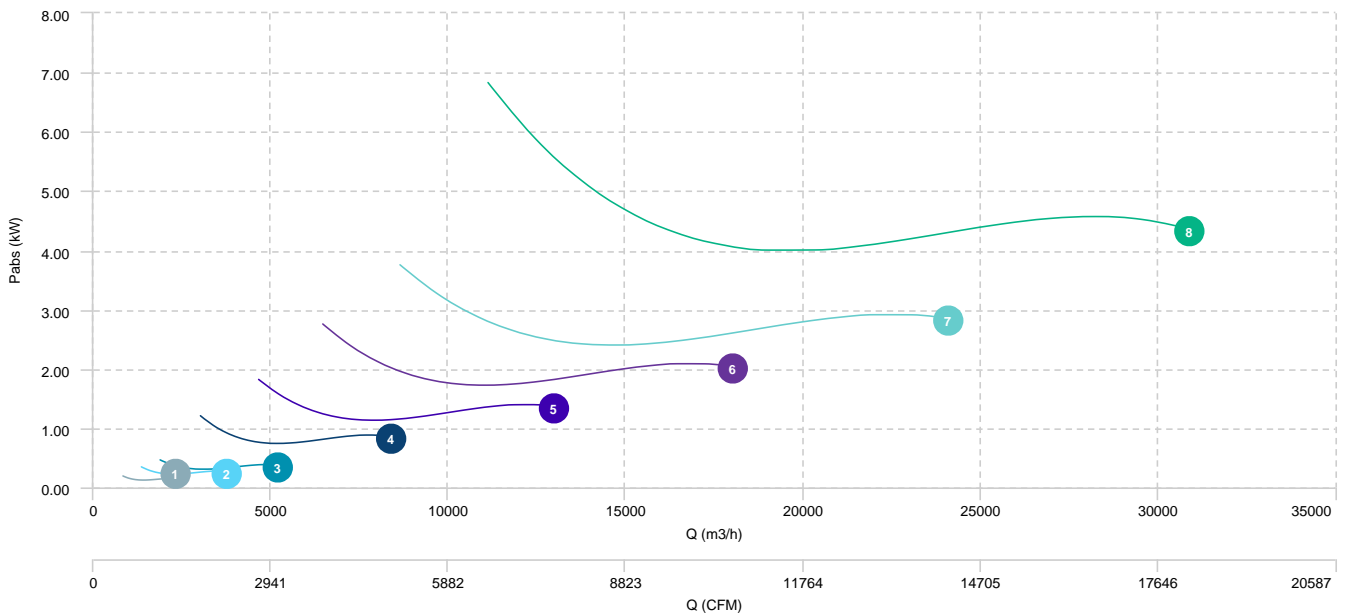


1	HMTM 35 T4 0,12kW	2	HMTM 40 T4 0,25kW	3	HMTM 45 T4 0,55kW	4	HMTM 56 T4 0,75kW
5	HMTM 63 T4 1,5kW	6	HMTM 71 T4 2,2kW	7	HMTM 80 T4 3kW	8	HMTM 90 T4 4kW

AIR FLOW - PRESSURE



AIR FLOW - ABSORBED POWER



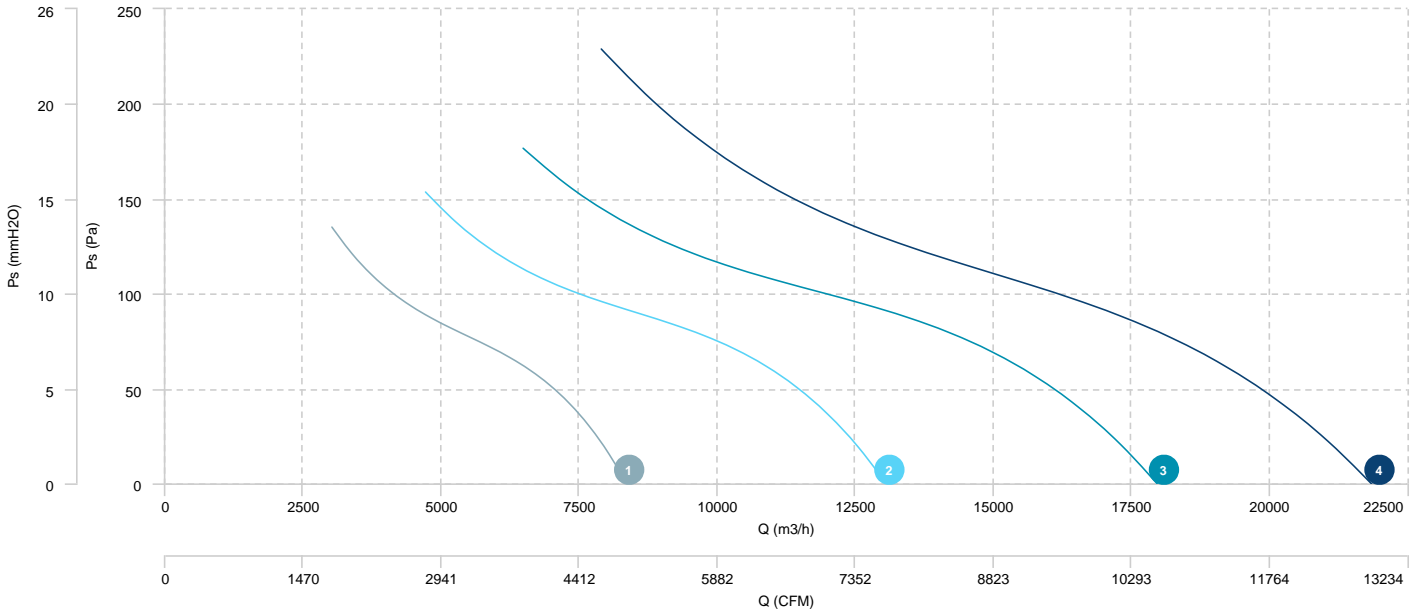
1 HMTM 63 T6 0,55kW

2 HMTM 71 T6 0,75kW

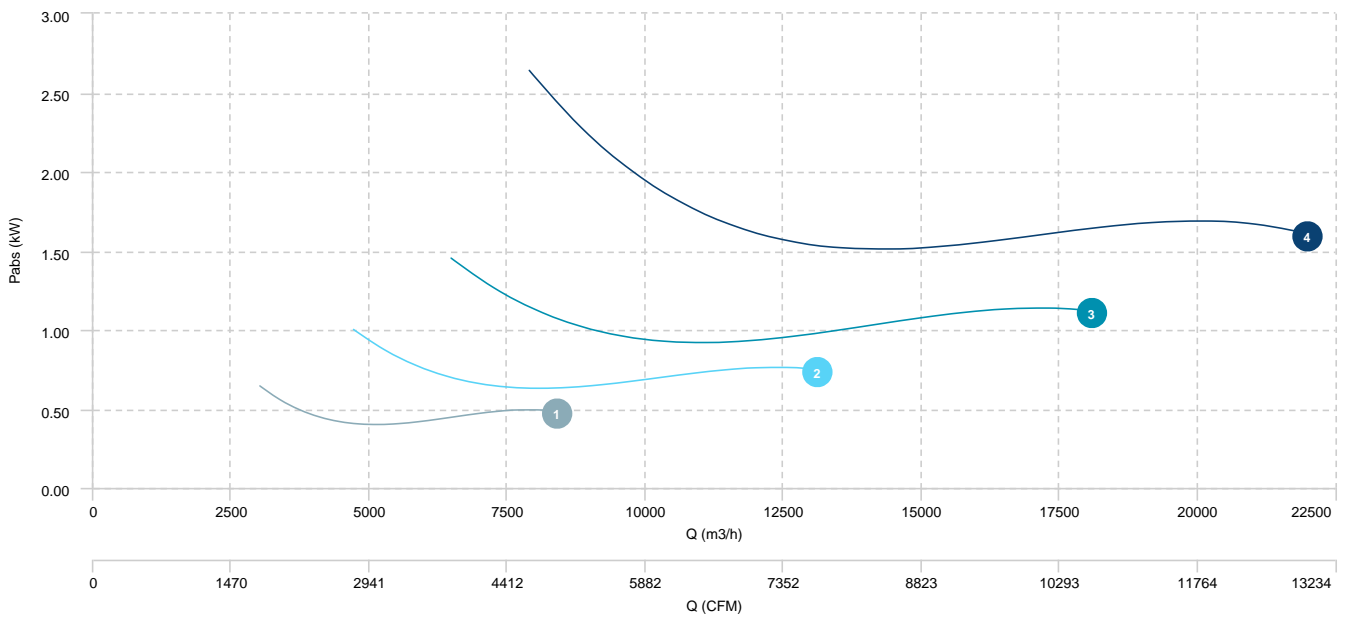
3 HMTM 80 T6 1,1kW

4 HMTM 90 T6 1,5kW

AIR FLOW - PRESSURE



AIR FLOW - ABSORBED POWER



Sound data

Sound / 4 poles

Sound power Lw dB (A)										
Model		63 Hz	125 Hz	250 Hz	500 Hz	1000 Hz	2000 Hz	4000 Hz	8000 Hz	Total
HMTM 35 M4 0,12kW (35°)	Inlet	65	63	62	60	59	59	60	57	70
HMTM 35 T4 0,12kW (35°)	Inlet	65	63	62	60	59	59	60	57	70
HMTM 40 M4 0,25kW (40°)	Inlet	55	60	64	67	68	68	62	74	74
HMTM 40 T4 0,25kW (40°)	Inlet	55	60	64	67	68	68	62	74	74
HMTM 45 M4 0,55kW (40°)	Inlet	73	70	68	67	67	66	67	62	78
HMTM 45 T4 0,55kW (40°)	Inlet	73	70	68	67	67	66	67	62	78
HMTM 56 T4 0,75kW (32.5°)	Inlet	60	65	71	73	75	75	70	80	80
HMTM 63 T4 1,5kW (35°)	Inlet	53	60	65	72	74	77	77	72	82
HMTM 71 T4 2,2kW (35°)	Inlet	57	64	69	75	77	79	80	74	86
HMTM 80 T4 3kW (35°)	Inlet	62	69	74	78	81	84	84	77	88
HMTM 90 T4 4kW (28°)	Inlet	90	86	86	85	84	84	86	83	95

Sound / 6 poles

Sound power Lw dB (A)										
Model		63 Hz	125 Hz	250 Hz	500 Hz	1000 Hz	2000 Hz	4000 Hz	8000 Hz	Total
HMTM 63 M6 0,55kW (35°)	Inlet	44	51	56	63	65	67	68	62	73
HMTM 63 T6 0,55kW (35°)	Inlet	44	51	56	63	65	67	68	62	73
HMTM 71 T6 0,75kW (40°)	Inlet	57	62	67	70	71	71	65	77	77
HMTM 80 T6 1,1kW (40°)	Inlet	60	65	69	72	73	72	66	78	78
HMTM 90 T6 1,5kW (32°)	Inlet	82	78	78	79	77	77	78	74	87