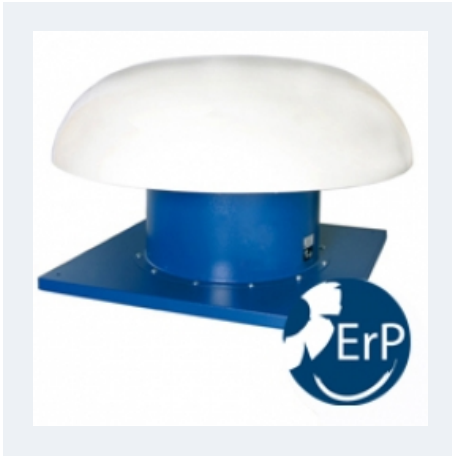


## HMTE



### AXIAL WITH FIBERGLASS COWL

#### MANUFACTURING FEATURES:

- Roof cowl made of reinforced fibreglass.
- Roof base support and bird protection guard with epoxy powder coat finishing.
- Assembled on HM fans.(tubular)
- Variable pitch angle polyamide impeller reinforced with fibreglass.
- Squirrel cage asynchronous standard motor, IP-55 protection and rated class F insulation. Standard voltages 230V 50Hz for single phase motors, 230/400V 50Hz and for three phase motors up to 4kW and 400/690V 50Hz for higher powers.

#### APPLICATIONS:

Specially designed for roof installation, they are suitable for:

- Air renewal in buildings and industries.
- Smoke extraction.
- Maximum working temperature: 1ph 50°C, 3ph 60°C.

#### AVAILABLE ON REQUEST

- B form impeller (air flow from impeller to motor)
- Reversible impeller 100%
- Cast aluminium impellers.
- 60Hz fans and special voltages.
- 2 speed motors.
- Hot dip galvanised and stainless steel housings.
- Galvanised steel sheet cowl.

## Accessories



BTI



FILTRO  
EMC



INT



RP



SFC

## Technical data

### Single-phase motor / 4 poles

Code	Model	R.P.M.	Rated I. (A) 230V	Rated power kW	Max. Airflow m <sup>3</sup> /h	Sound db (A)*	Weight	Connect. diagram
2693530635	HMTE 35 M4 0,12kW	1380	1,15	0,12	2.320	44	16	1
2694030635	HMTE 40 M4 0,25kW	1400	1,93	0,25	3.480	48	20	1
2694530640	HMTE 45 M4 0,55kW	1400	3,98	0,55	5.220	52	28	1

### Single-phase motor / 6 poles

Code	Model	R.P.M.	Rated I. (A) 230V	Rated power kW	Max. Airflow m <sup>3</sup> /h	Sound db (A)*	Weight	Connect. diagram
2696432635	HMTE 63 M6 0,55kW	890	3,9	0,55	8.400	47	53	1

### Three-phase motor / 4 poles

Code	Model	R.P.M.	Rated I. (A) 400V	Rated power kW	Max. Airflow m <sup>3</sup> /h	Sound db (A)*	Weight	Connect. diagram
2693560635	HMTE 35 T4 0,12kW	1400	0,46	0,12	2.320	44	16	2
2694060635	HMTE 40 T4 0,25kW	1400	0,79	0,25	3.480	48	20	2
2694560640	HMTE 45 T4 0,55kW	1400	1,49	0,55	5.220	52	28	2
2695662633	HMTE 56 T4 0,75kW	1390	1,63	0,75	8.400	54	36	2
2696362635	HMTE 63 T4 1,5kW	1400	3,26	1,50	12.960	56	53	2
2697162635	HMTE 71 T4 2,2kW	1430	4,64	2,20	18.000	60	61	2
2698062635	HMTE 80 T4 3kW	1430	6,17	3	24.080	62	101	2
2699066328	HMTE 90 T4 4kW	1440	8,32	4	30.880	69	117	2

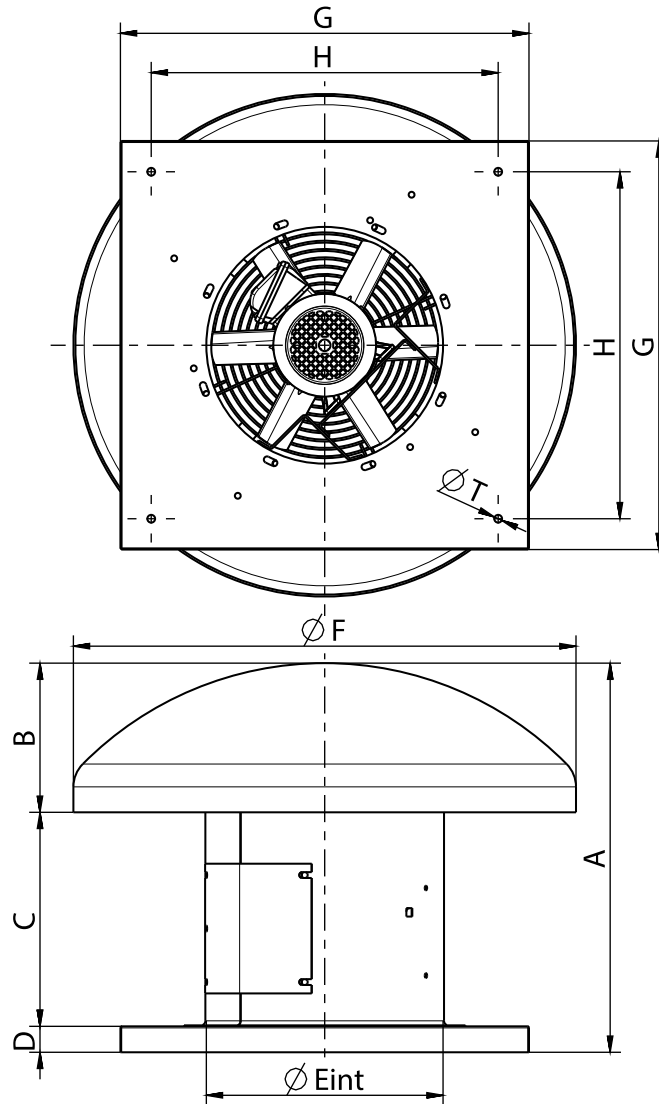
### Three-phase motor / 6 poles

Code	Model	R.P.M.	Rated I. (A) 400V	Rated power kW	Max. Airflow m <sup>3</sup> /h	Sound db (A)*	Weight	Connect. diagram
2696462635	HMTE 63 T6 0,55kW	900	1,8	0,55	8.400	47	53	2
2697262640	HMTE 71 T6 0,75kW	910	1,95	0,75	13.120	51	62	2
2698162640	HMTE 80 T6 1,1kW	910	2,78	1,10	18.080	52	100	2
2699166332	HMTE 90 T6 1,5kW	940	3,71	1,50	22.000	61	113	2

#### Notes:

\* Total sound pressure level at the point of maximum flow measured in dB(A) in the suction measured in free field at a distance of 6m from the source

## Dimensions



Model	A	B	C	D	E	FØ	G	H	T
HMTE 35 M4 0,12kW	600	230	330	40	365	775	630	535	12
HMTE 35 T4 0,12kW	600	230	330	40	365	775	630	535	12
HMTE 40 M4 0,25kW	700	230	430	40	403	775	630	535	12
HMTE 40 T4 0,25kW	700	230	430	40	403	775	630	535	12
HMTE 45 M4 0,55kW	715	255	420	40	452	960	710	590	14
HMTE 45 T4 0,55kW	715	255	420	40	452	960	710	590	14
HMTE 56 T4 0,75kW	877	290	537	50	559	1080	905	750	14
HMTE 63 M6 0,55kW	938	350	538	50	633	1290	905	750	14
HMTE 63 T4 1,5kW	938	350	538	50	633	1290	905	750	14
HMTE 63 T6 0,55kW	938	350	538	50	633	1290	905	750	14

Model	A	B	C	D	E	FØ	G	H	T
HMTE 71 T4 2,2kW	1010	350	610	50	715	1290	1100	840	14
HMTE 71 T6 0,75kW	1010	350	610	50	715	1290	1100	840	14
HMTE 80 T4 3kW	1132,5	518,5	564	50	801	1580	1100	840	14
HMTE 80 T6 1,1kW	1132,5	518,5	564	50	801	1580	1100	840	14
HMTE 90 T4 4kW	1390,5	518,5	822	50	903,5	1580	1250	950	14
HMTE 90 T6 1,5kW	1390,5	518,5	822	50	903,5	1580	1250	950	14

# Wiring diagram

DIAGRAM N° 1

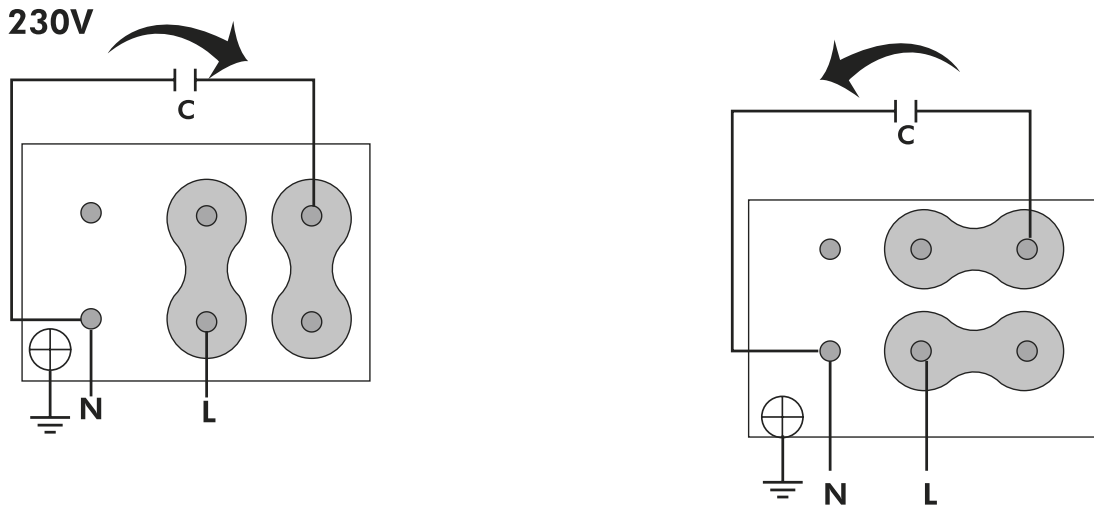
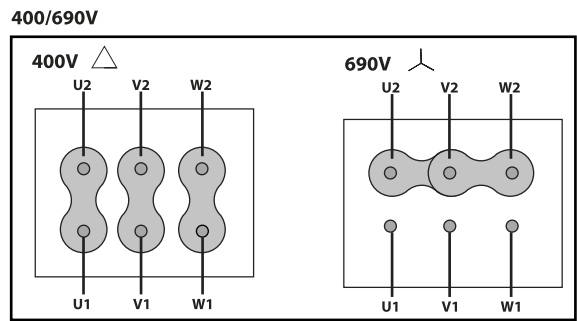
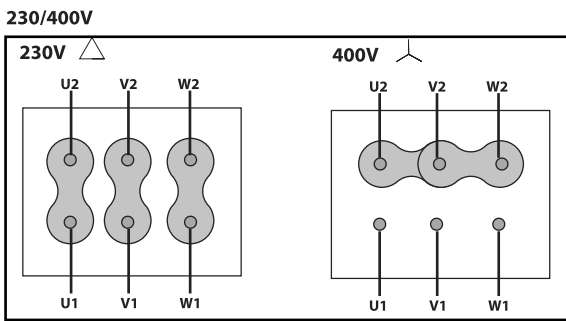


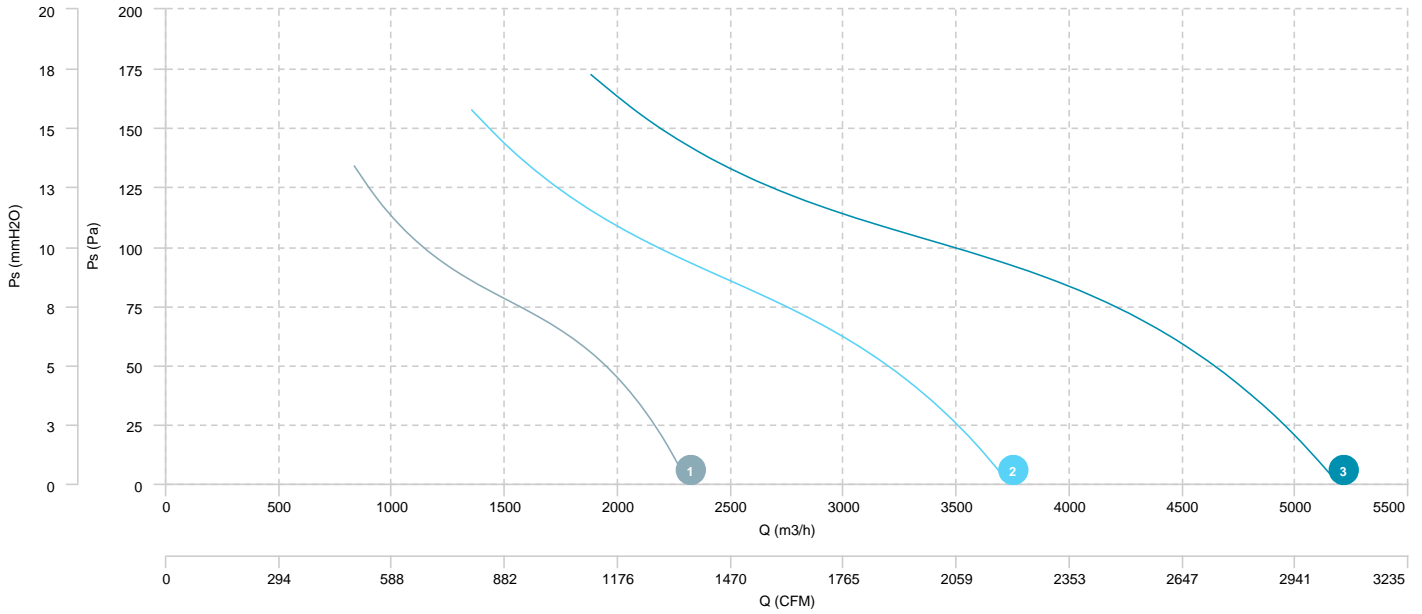
DIAGRAM N° 2



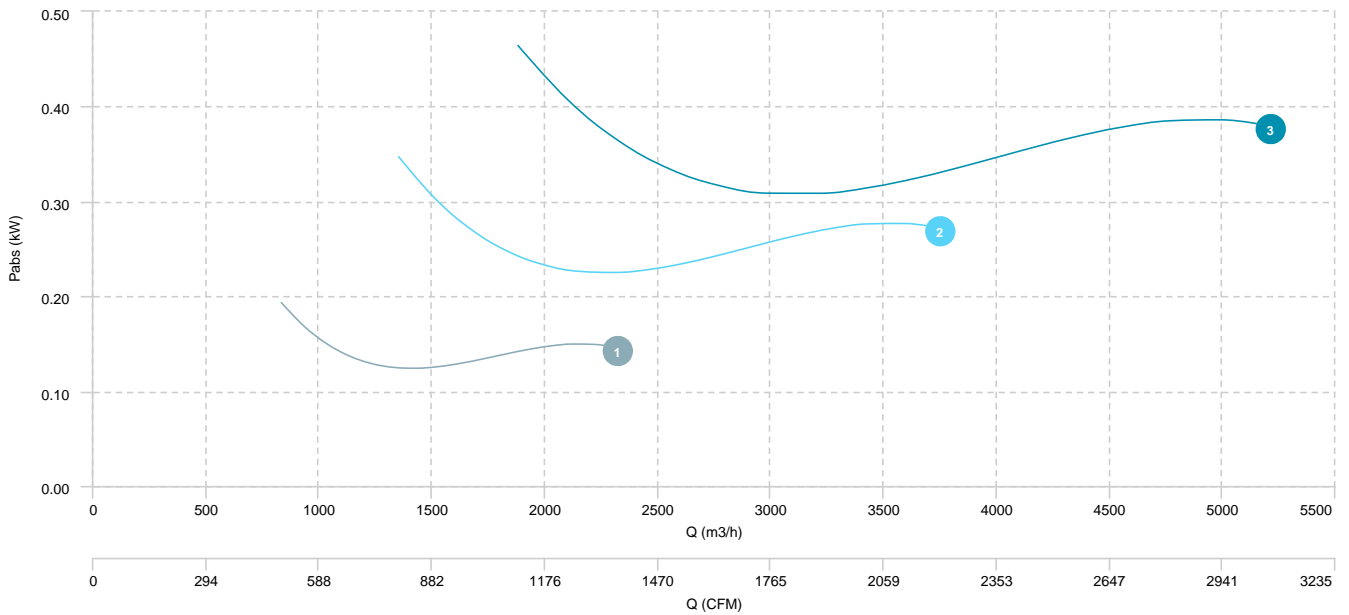
# CHARACTERISCTIC CURVE

- 1 HMTE 35 M4 0,12kW
- 2 HMTE 40 M4 0,25kW
- 3 HMTE 45 M4 0,55kW

## AIR FLOW - PRESSURE

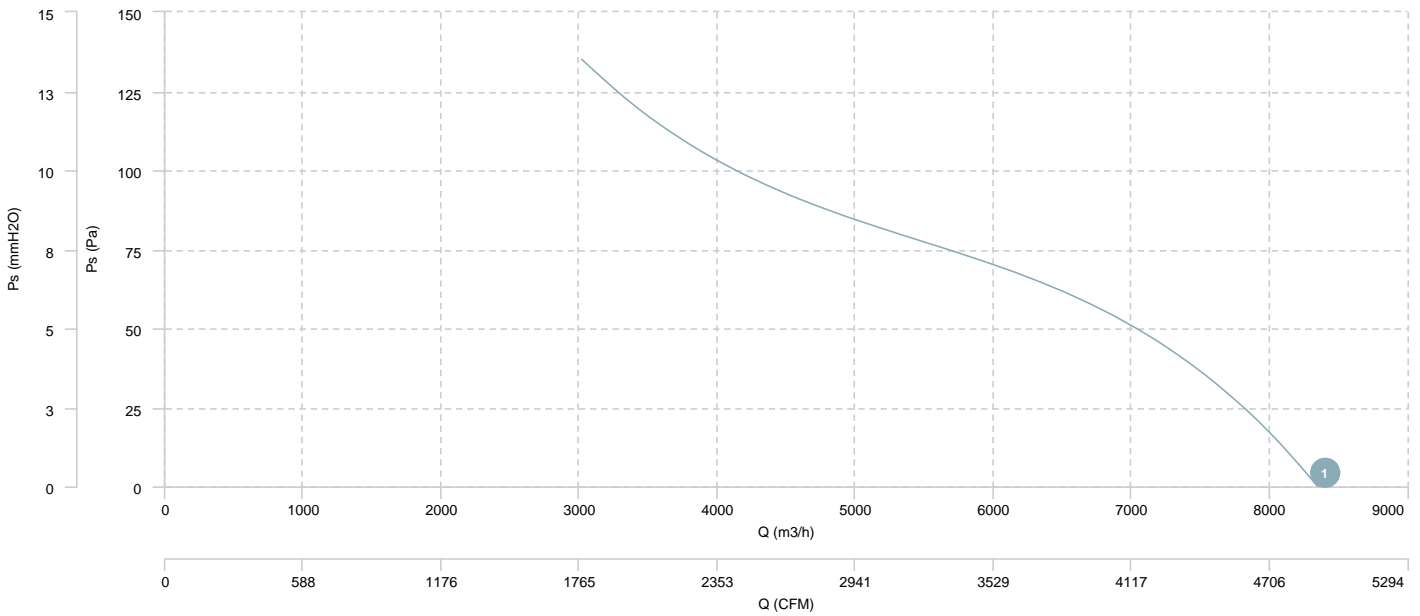


## AIR FLOW - ABSORBED POWER

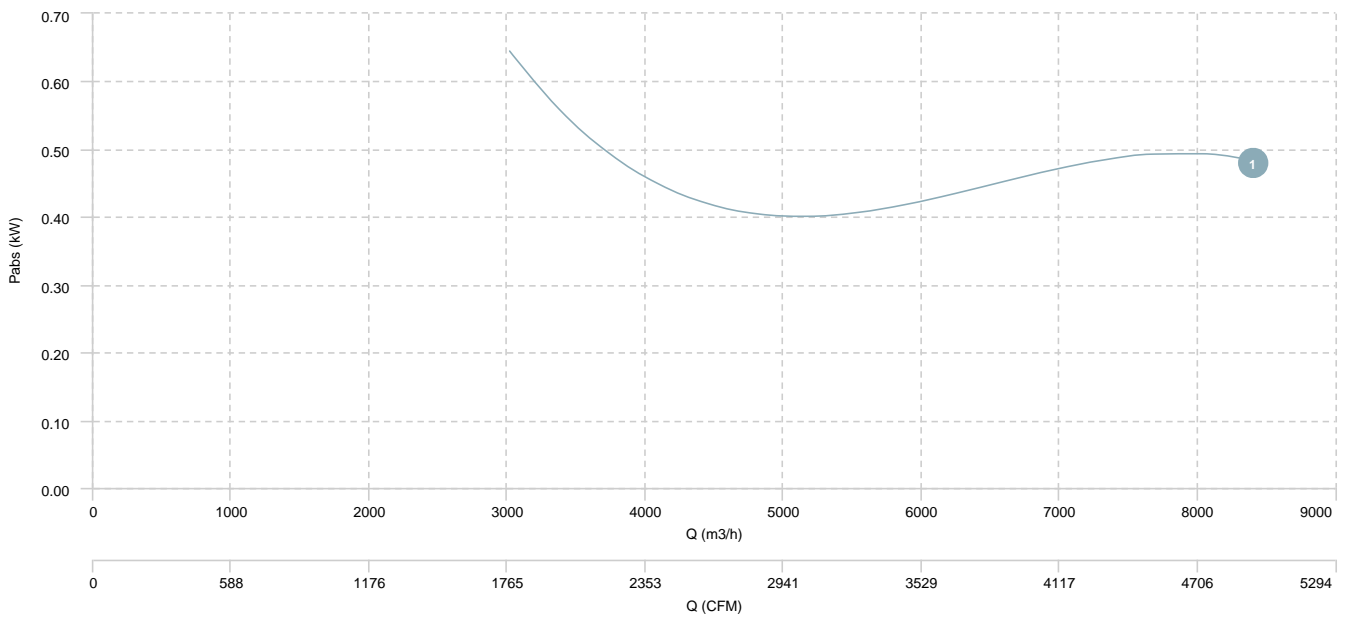


1 HMTE 63 M6 0,55kW

## AIR FLOW - PRESSURE

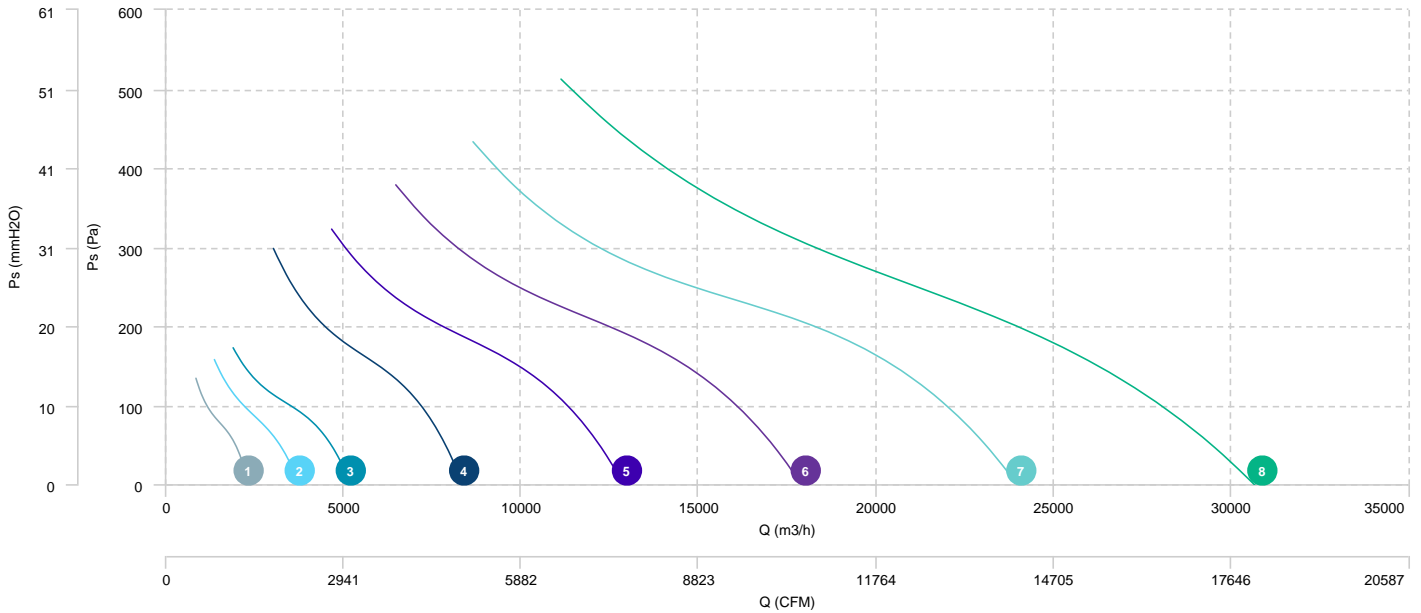


## AIR FLOW - ABSORBED POWER

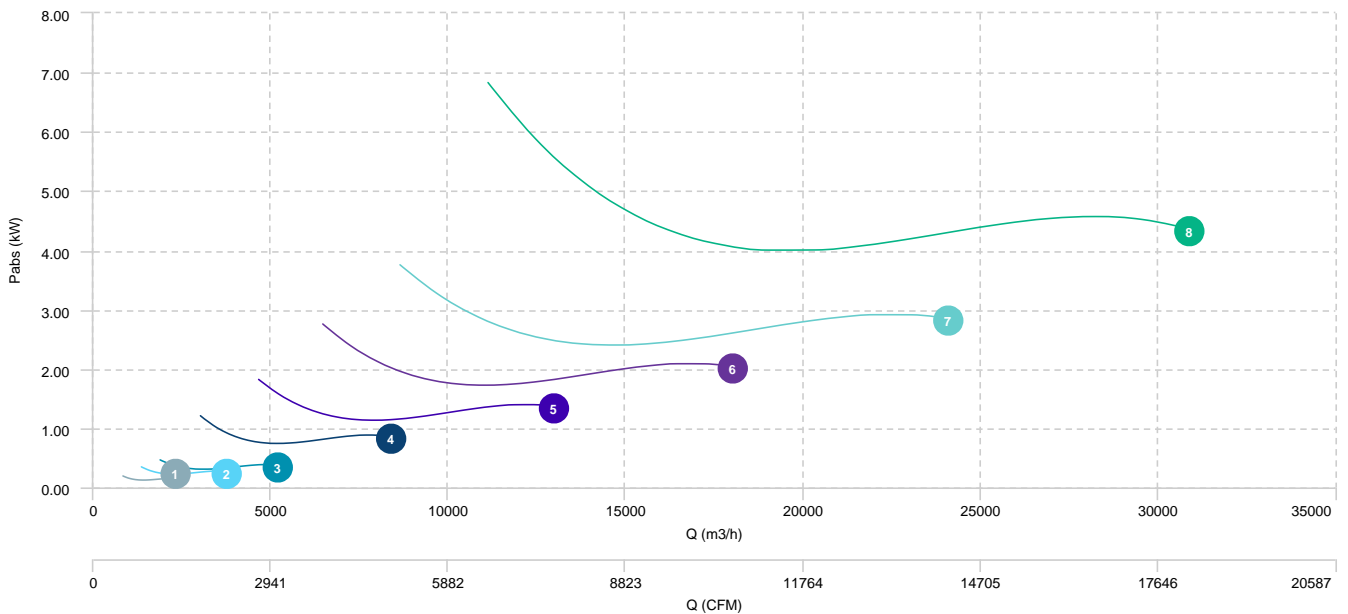


1	HMTE 35 T4 0,12kW	2	HMTE 40 T4 0,25kW	3	HMTE 45 T4 0,55kW	4	HMTE 56 T4 0,75kW
5	HMTE 63 T4 1,5kW	6	HMTE 71 T4 2,2kW	7	HMTE 80 T4 3kW	8	HMTE 90 T4 4kW

## AIR FLOW - PRESSURE



## AIR FLOW - ABSORBED POWER





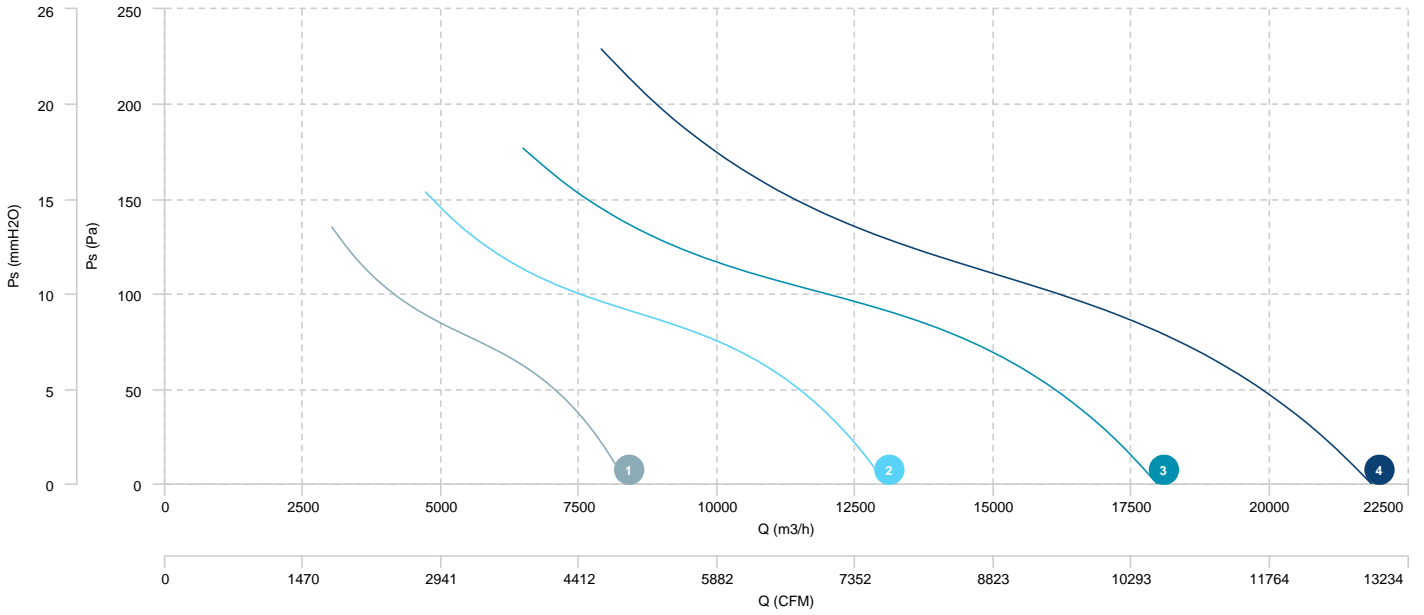
1 HMTE 63 T6 0,55kW

2 HMTE 71 T6 0,75kW

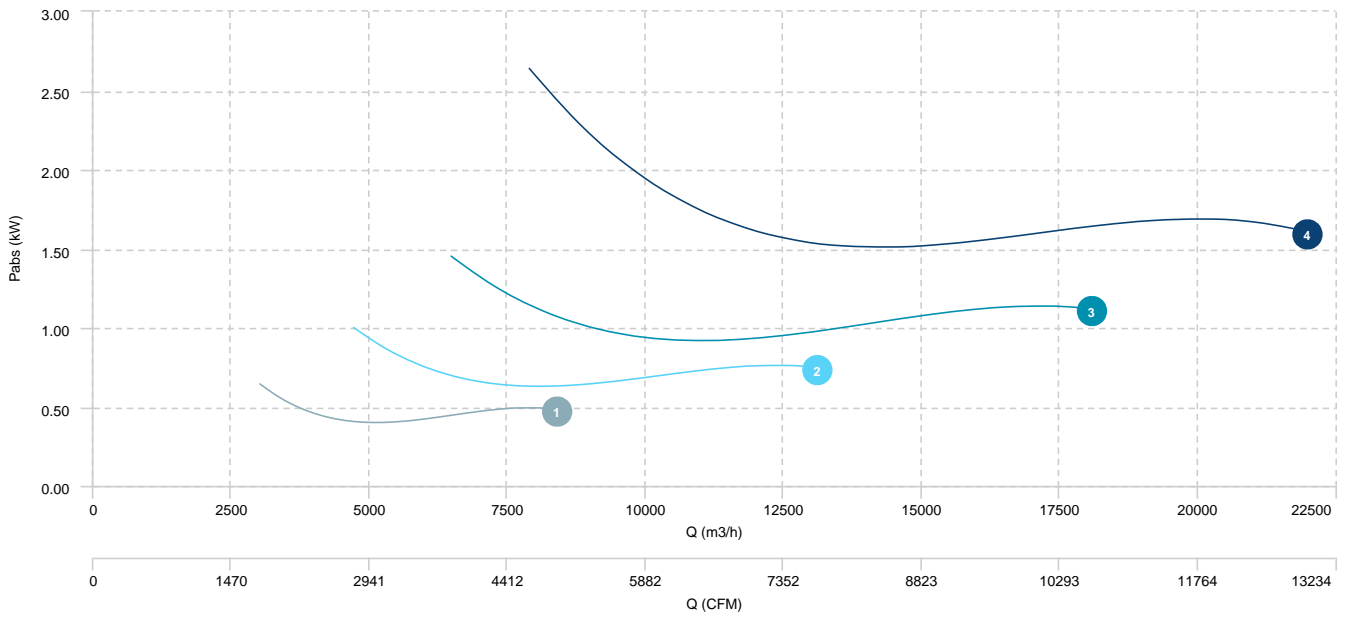
3 HMTE 80 T6 1,1kW

4 HMTE 90 T6 1,5kW

## AIR FLOW - PRESSURE



## AIR FLOW - ABSORBED POWER



## Sound data

### Sound / 4 poles

Sound power Lw dB (A)										
Model		63 Hz	125 Hz	250 Hz	500 Hz	1000 Hz	2000 Hz	4000 Hz	8000 Hz	Total
HMTE 35 M4 0,12kW (35°)	Inlet	65	63	62	60	59	59	60	57	70
HMTE 35 T4 0,12kW (35°)	Inlet	65	63	62	60	59	59	60	57	70
HMTE 40 M4 0,25kW (40°)	Inlet	55	60	64	67	68	68	62	74	74
HMTE 40 T4 0,25kW (40°)	Inlet	55	60	64	67	68	68	62	74	74
HMTE 45 M4 0,55kW (40°)	Inlet	73	70	68	67	67	66	67	62	78
HMTE 45 T4 0,55kW (40°)	Inlet	73	70	68	67	67	66	67	62	78
HMTE 56 T4 0,75kW (32.5°)	Inlet	60	65	71	73	75	75	70	80	80
HMTE 63 T4 1,5kW (35°)	Inlet	53	60	65	72	74	77	77	72	82
HMTE 71 T4 2,2kW (35°)	Inlet	57	64	69	75	77	79	80	74	86
HMTE 80 T4 3kW (35°)	Inlet	62	69	74	78	81	84	84	77	88
HMTE 90 T4 4kW (28°)	Inlet	90	86	86	85	84	84	86	83	95

### Sound / 6 poles

Sound power Lw dB (A)										
Model		63 Hz	125 Hz	250 Hz	500 Hz	1000 Hz	2000 Hz	4000 Hz	8000 Hz	Total
HMTE 63 M6 0,55kW (35°)	Inlet	44	51	56	63	65	67	68	62	73
HMTE 63 T6 0,55kW (35°)	Inlet	44	51	56	63	65	67	68	62	73
HMTE 71 T6 0,75kW (40°)	Inlet	57	62	67	70	71	71	65	77	77
HMTE 80 T6 1,1kW (40°)	Inlet	60	65	69	72	73	72	66	78	78
HMTE 90 T6 1,5kW (32°)	Inlet	82	78	78	79	77	77	78	74	87

**erp data**

ERP	
Fan type	Unit for non-residential ventilation (LOT 6)
Typology	Unidirectional
Others	None
Type of driver	None

**ERP / 4 poles**

Model	Motor power (kW)	Maximum efficiency point data						
		Eff.Heat recovery (%)	Max. efficiency (%)	Pabs (kW)	Air Flow (m3/h)	Ps (Pa)	Speed (m/s)	SFP (W/m3/s)
HMTE 40 M4 0,25kW (40°)	0,25	-	26,70	0,23	2.262,11	95,73	5	357,92
HMTE 40 T4 0,25kW (40°)	0,25	-	26,70	0,23	2.262,11	95,73	5	357,92
HMTE 45 M4 0,55kW (40°)	0,55	-	31,13	0,31	3.257,61	106,10	5.45	341,84
HMTE 45 T4 0,55kW (40°)	0,55	-	31,13	0,31	3.257,61	106,10	5.45	341,84
HMTE 56 T4 0,75kW (32.5°)	0,75	-	33,90	0,74	5.339,67	169,23	6.02	501,58
HMTE 63 T4 1,5kW (35°)	1,5	-	38,20	1,14	8.118,40	192,28	7.23	503,85
HMTE 71 T4 2,2kW (35°)	2,20	-	40,31	1,73	11.298,80	221,40	7.82	550,50
HMTE 80 T4 3kW (35°)	3	-	43,23	2,41	15.328	242,95	8.47	566,83

**ERP / 6 poles**

Model	Motor power (kW)	Maximum efficiency point data						
		Eff.Heat recovery (%)	Max. efficiency (%)	Pabs (kW)	Air Flow (m3/h)	Ps (Pa)	Speed (m/s)	SFP (W/m3/s)
HMTE 63 M6 0,55kW (35°)	0,55	-	29,39	0,40	5.277,61	80,41	4.7	273,98
HMTE 63 T6 0,55kW (35°)	0,55	-	29,39	0,40	5.277,61	80,41	4.7	273,98
HMTE 71 T6 0,75kW (40°)	0,75	-	33,86	0,63	8.472,39	90,60	5.86	269,02
HMTE 80 T6 1,1kW (40°)	1,10	-	36,07	0,92	11.482,04	103,81	6.35	289,38