

HJB



BELT DRIVE AXIAL FAN FOR HUGE AIR FLOW

MANUFACTURING FEATURES:

- Completely made of galvanized steel sheet.
- Equipped with gravity shutter.
- Stainless steel impeller (AISI 304).
- Protection grid on pulley area.
- Standard asynchronous squirrel-cage motor with IP-55 protection and class F insulation. Manufactured with standard voltage: 230/400V 50Hz IE2
- Internal wiring box. Inspection door for motor access.

APPLICATIONS:

Designed for wall assembly, they are suitable for:

- Air renewal in buildings and industries.
- Farms and greenhouses.
- Maximum working temperature: 50°C.

UNDER REQUEST

Option 60Hz

Accessories



**FILTRO
EMC**



INT



SFC

Technical data

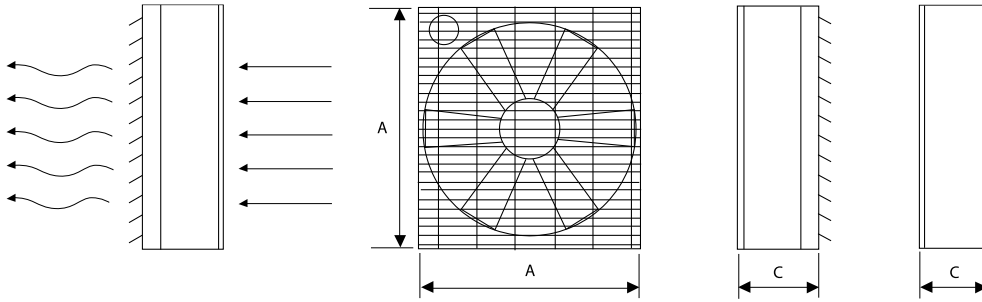
Three-phase motor

Code	Model	R.P.M.	Rated I. (A) 400V	Rated power kW	Max. Airflow m3/h	Sound db (A)*	Weight	Connect. diagram
509111044	HJB 110 T4 0,75KW	600	2	0,75	32.500	65	88	1
509112244	HJB 120 T4 1,1KW	460	2,7	1,10	38.000	62	97	1
509113845	HJB 140 T4 1,1KW	440	2,7	1,10	44.000	61	110	1

Notes:

* Total sound pressure level at the point of maximum flow measured in dB(A) in the suction measured in free field at a distance of 6m from the source

Dimensions

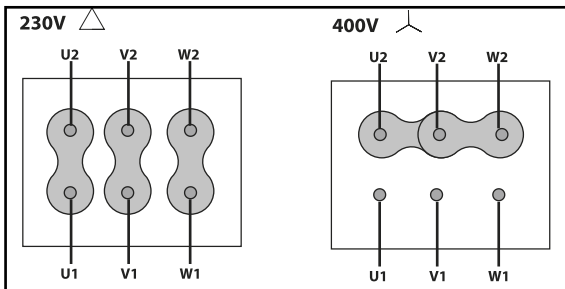


Model	A	C
HJB 110 T4 0,75KW	1100	400
HJB 120 T4 1,1KW	1220	400
HJB 140 T4 1,1KW	1380	400

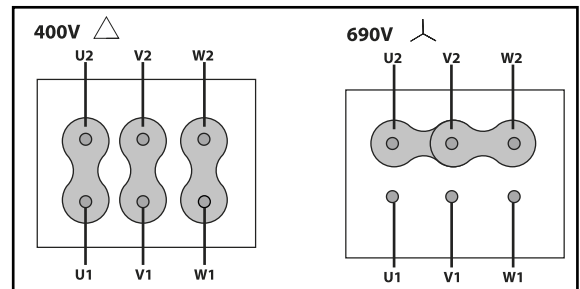
Wiring diagram

DIAGRAM Nº 1

230/400V



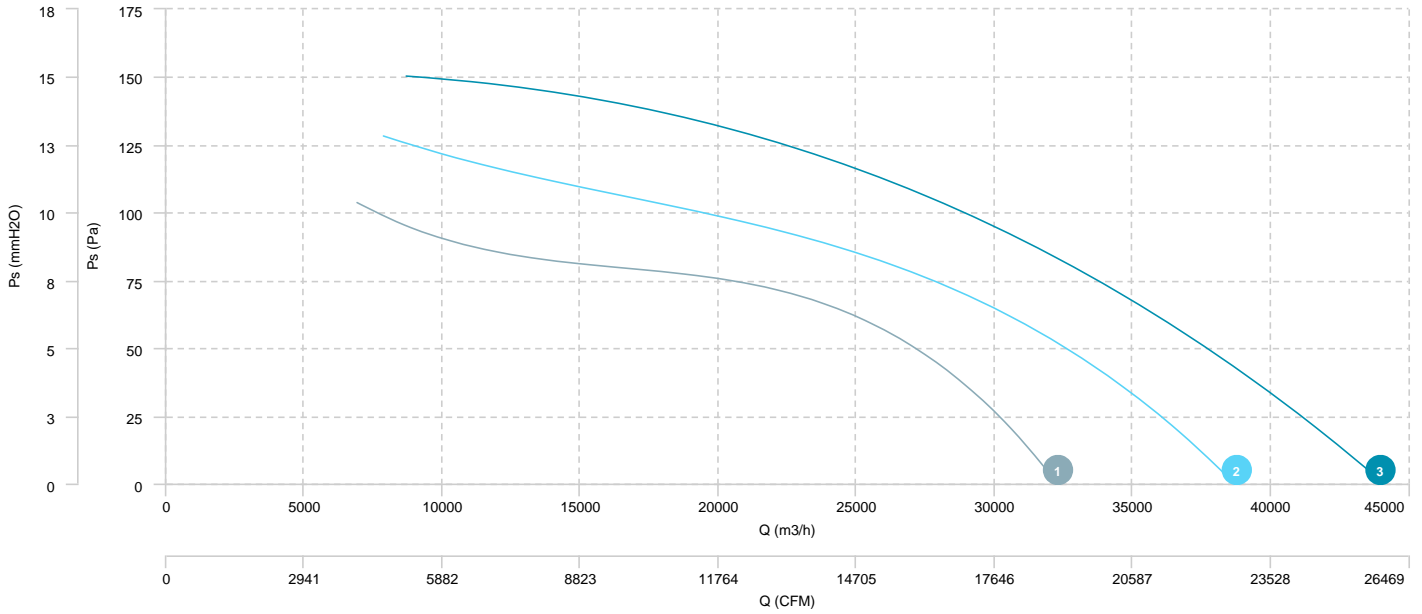
400/690V



CHARACTERISCTIC CURVE

- 1 HJB 110 T4 0,75KW
- 2 HJB 120 T4 1,1KW
- 3 HJB 140 T4 1,1KW

AIR FLOW - PRESSURE



Sound data

Sound power Lw dB (A)										
Model		63 Hz	125 Hz	250 Hz	500 Hz	1000 Hz	2000 Hz	4000 Hz	8000 Hz	Total
HJB 110 T4 0,75KW	Inlet	70	79	83	86	85	81	75	67	91
HJB 120 T4 1,1KW	Inlet	67	76	80	83	82	78	72	64	88
HJB 140 T4 1,1KW	Inlet	66	75	80	82	82	77	72	64	87