

HCX (ATEX)



SHORT CASED AXIAL ATEX FAN

MANUFACTURING FEATURES:

- Axial fan short casing with circular reinforced frame.
- Motor-impeller assembly through modular system.
- Cast aluminium impeller.
- Polyester powder coat finishing.
- ATEX standard asynchronous motor. Standard voltages 230V 50Hz for single phase motors, 230/400V 50Hz for three phase motors up to 4kW and 400/690V 50Hz for higher powers.
- IP-55 motor.

APPLICATIONS

Designed for wall or duct installation, they are suitable for:

- Air renewal in buildings and industries.
- Smoke extraction (max 45-50°C).
- Ventilation in indoor environments classified as ATEX zone 1 with motor EEx_d
- Maximum working temperature: 50°C

Accessories



AC



BAD



INT



JE 45



PC2



PCP



PO



RP



RP1



SFC



SIL-C /
SIL-CN

UNDER REQUEST

- B form or 100% reversible impeller.
- 60Hz fans and special voltages.
- ATEX classification for other areas
- Bigger fan sizes

ORGANISM: L.O.M.

CERTIFICATE N°: LOM 17.755X-C

In compliance with the ATEX Directive 2014/34/UE. Certified ATEX II2G, II3G o II3D with certified ATEX motor for areas 1 (gas), 2 (gas) or 22 (dust)

Technical data

Three-phase motor / 4 poles

Code	Model	R.P.M.	Rated I. (A) 400V	Rated power kW	Max. Airflow m3/h	Sound db (A)**	Weight	Connect. diagram
2A0305643	HCX 56 T4 0,55kW	1430	1,75	0,55	8.680	67	20	1
2A0305644	HCX 56 T4 0,75kW	1410	2,1	0,75	10.810	56	23	1
2A0305645	HCX 56 T4 1,1kW	1420	3,3	1,10	12.520	57	27	1
2A0305646	HCX 56 T4 1,5kW	1415	3,8	1,50	14.600	60	29	1
2A0306344	HCX 63 T4 0,75kW	1410	2,1	0,75	12.020	67	28	1
2A0306345	HCX 63 T4 1,1kW	1420	3,3	1,10	14.740	56	32	1
2A0306346	HCX 63 T4 1,5kW	1415	3,8	1,50	16.610	62	34	1
2A0306354	HCX 63 T4 2,2kW	1440	5,8	2,20	18.630	58	43	1
2A0307145	HCX 71 T4 1,1kW	1420	3,3	1,10	16.800	70	36	1
2A0307146	HCX 71 T4 1,5kW	1415	3,8	1,50	19.960	62	38	1
2A0307154	HCX 71 T4 2,2kW	1440	5,8	2,20	23.200	69	48	1
2A0307156	HCX 71 T4 3kW	1420	6,8	3	25.160	62	50	1
2A0308056	HCX 80 T4 3kW	1420	6,8	3	31.090	72	58	1
2A0308059	HCX 80 T4 4kW	1450	9,1	4	34.000	67	63	1

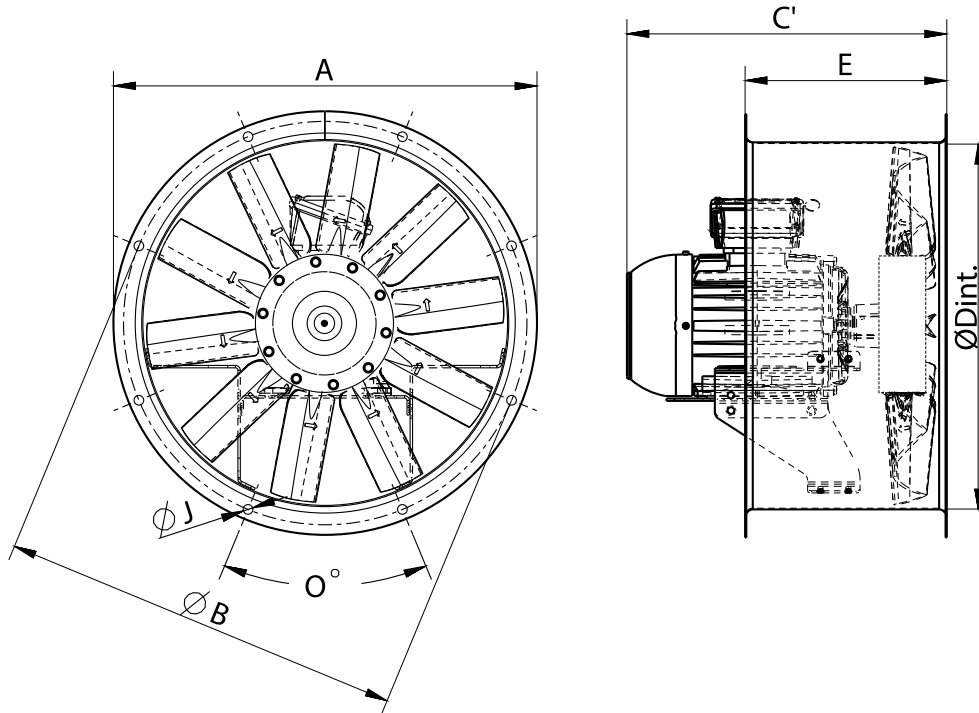
Three-phase motor / 6 poles

Code	Model	R.P.M.	Rated I. (A) 400V	Rated power kW	Max. Airflow m3/h	Sound db (A)**	Weight	Connect. diagram
2A0305669	HCX 56 T6 0,25kW	910	1	0,25	7.700	58	20	1
2A0305670	HCX 56 T6 0,37kW	940	1,4	0,37	8.770	50	21	1
2A0306370	HCX 63 T6 0,37kW	940	1,4	0,37	10.760	55	26	1
2A0306371	HCX 63 T6 0,55kW	930	2	0,55	12.050	51	28	1
2A0307172	HCX 71 T6 0,75kW	930	2,2	0,75	16.250	53	39	1
2A0308072	HCX 80 T6 0,75kW	930	2,2	0,75	18.300	61	47	1
2A0308073	HCX 80 T6 1,1kW	910	3,2	1,10	20.550	63	49	1
2A0308074	HCX 80 T6 1,5kW	940	4	1,50	22.970	58	55	1
2A0308078	HCX 80 T6 2,2kW	930	5,2	2,20	25.190	57	60	1

Notes:

** Total sound pressure level at the point of maximum flow measured in dB(A) in the suction measured in free field at a distance of 6m from the source

Dimensions



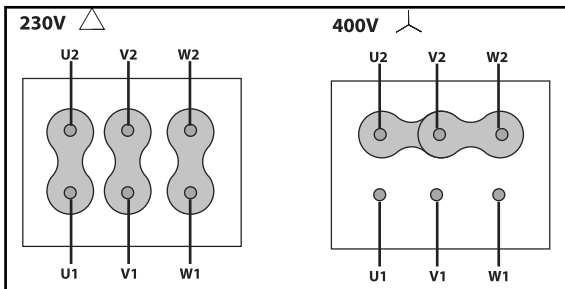
Model	C	E	O	ØA	ØB	ØDint	ØJ
HCX 56 T4 0,55kW	362	250	12x30°	646	620	559	12
HCX 56 T4 0,75kW	362	250	12x30°	646	620	559	12
HCX 56 T4 1,1kW	372	250	12x30°	646	620	559	12
HCX 56 T4 1,5kW	397	250	12x30°	646	620	559	12
HCX 56 T6 0,25kW	348	250	12x30°	646	620	559	12
HCX 56 T6 0,37kW	362	250	12x30°	646	620	559	12
HCX 63 T4 0,75kW	359	250	12x30°	725	690	633	12
HCX 63 T4 1,1kW	393	250	12x30°	725	690	633	12
HCX 63 T4 1,5kW	398	250	12x30°	725	690	633	12
HCX 63 T4 2,2kW	450	250	12x30°	725	690	633	12
HCX 63 T6 0,37kW	359	250	12x30°	725	690	633	12
HCX 63 T6 0,55kW	359	250	12x30°	725	690	633	12
HCX 71 T4 1,1kW	396	350	16x22,5°	802	770	715	12
HCX 71 T4 1,5kW	421	350	16x22,5°	802	770	715	12
HCX 71 T4 2,2kW	452	350	16x22,5°	802	770	715	12
HCX 71 T4 3kW	452	350	16x22,5°	802	770	715	12
HCX 71 T6 0,75kW	396	350	16x22,5°	802	770	715	12
HCX 80 T4 3kW	476	350	16x22,5°	892	860	801	12
HCX 80 T4 4kW	477	350	16x22,5°	892	860	801	12
HCX 80 T6 0,75kW	445	350	16x22,5°	892	860	801	12

Model	C	E	O	ØA	ØB	ØDint	ØJ
HCX 80 T6 1,1kW	445	350	16x22,5°	892	860	801	12
HCX 80 T6 1,5kW	476	350	16x22,5°	892	860	801	12
HCX 80 T6 2,2kW	477	350	16x22,5°	892	860	801	12

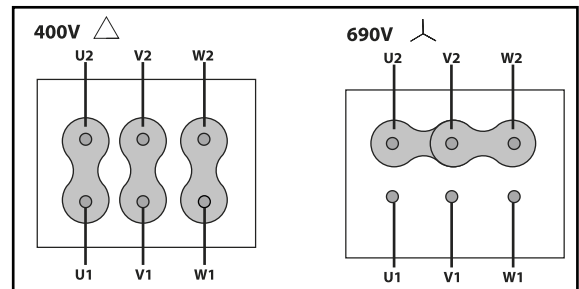
Wiring diagram

DIAGRAM N° 1

230/400V



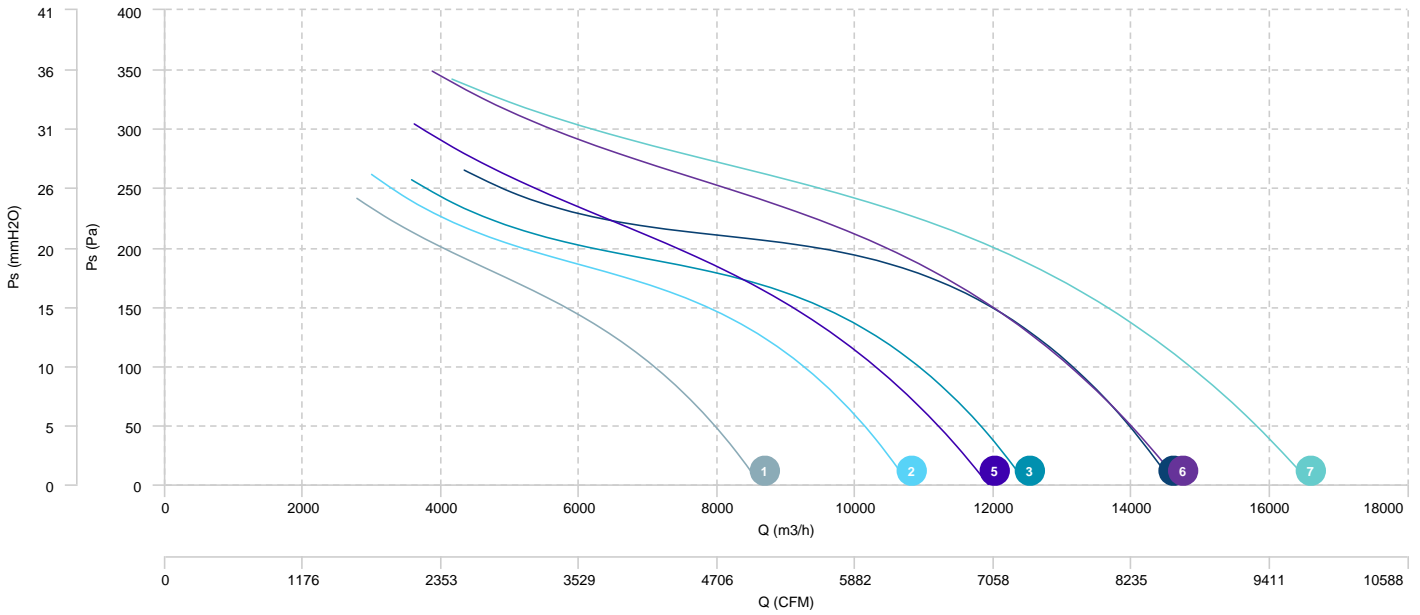
400/690V



CHARACTERISCTIC CURVE

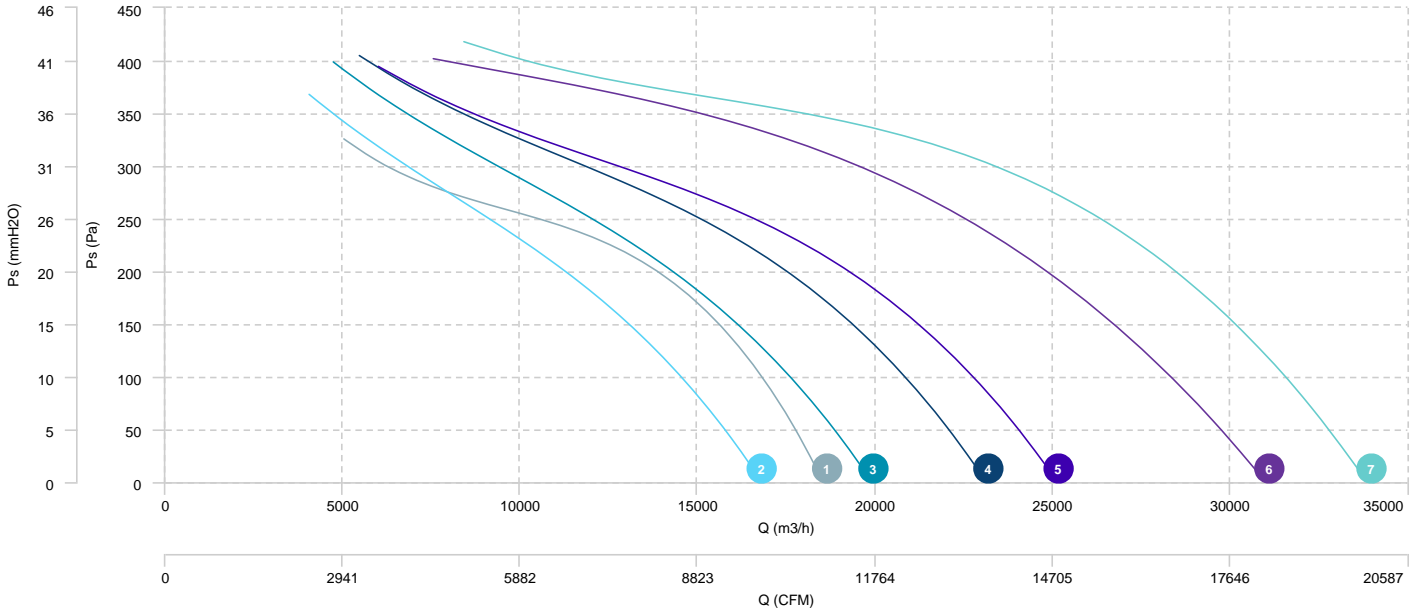
1	HCX 56 T4 0,55kW	2	HCX 56 T4 0,75kW	3	HCX 56 T4 1,1kW	4	HCX 56 T4 1,5kW
5	HCX 63 T4 0,75kW	6	HCX 63 T4 1,1kW	7	HCX 63 T4 1,5kW		

AIR FLOW - PRESSURE



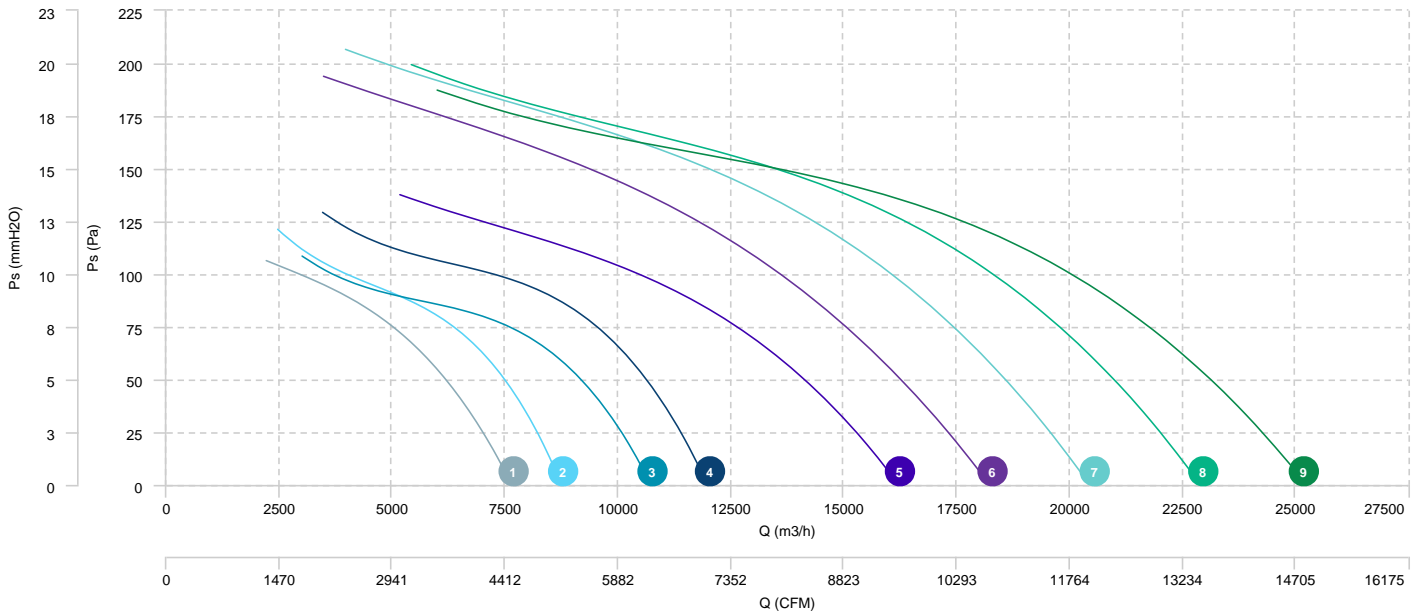
1	HCX 63 T4 2,2kW	2	HCX 71 T4 1,1kW	3	HCX 71 T4 1,5kW	4	HCX 71 T4 2,2kW
5	HCX 71 T4 3kW	6	HCX 80 T4 3kW	7	HCX 80 T4 4kW		

AIR FLOW - PRESSURE



1	HCX 56 T6 0,25kW	2	HCX 56 T6 0,37kW	3	HCX 63 T6 0,37kW	4	HCX 63 T6 0,55kW
5	HCX 71 T6 0,75kW	6	HCX 80 T6 0,75kW	7	HCX 80 T6 1,1kW	8	HCX 80 T6 1,5kW
9	HCX 80 T6 2,2kW						

AIR FLOW - PRESSURE



Sound data

Sound / 4 poles

		Sound power Lw dB (A)								
Model		63 Hz	125 Hz	250 Hz	500 Hz	1000 Hz	2000 Hz	4000 Hz	8000 Hz	Total
HCX 56 T4 0,55kW	Inlet	58	71	82	88	87	81	79	70	93
HCX 56 T4 0,75kW	Inlet	52	61	68	73	76	76	77	70	82
HCX 56 T4 1,1kW	Inlet	55	61	69	74	77	76	77	70	83
HCX 56 T4 1,5kW	Inlet	59	66	72	76	78	77	78	70	86
HCX 63 T4 0,75kW	Inlet	56	65	82	89	88	83	81	73	93
HCX 63 T4 1,1kW	Inlet	52	59	64	72	77	76	79	71	82
HCX 63 T4 1,5kW	Inlet	58	67	75	80	81	80	81	73	88
HCX 63 T4 2,2kW	Inlet	55	62	68	75	78	78	80	72	84
HCX 71 T4 1,1kW	Inlet	59	69	85	92	90	86	84	76	96
HCX 71 T4 1,5kW	Inlet	59	64	72	79	83	82	83	74	88
HCX 71 T4 2,2kW	Inlet	64	75	84	87	86	84	84	76	95
HCX 71 T4 3kW	Inlet	59	66	71	79	81	81	83	74	88
HCX 80 T4 3kW	Inlet	65	76	84	93	91	89	89	81	98
HCX 80 T4 4kW	Inlet	65	72	78	83	85	85	86	78	93

Sound / 6 poles

		Sound power Lw dB (A)								
Model		63 Hz	125 Hz	250 Hz	500 Hz	1000 Hz	2000 Hz	4000 Hz	8000 Hz	Total
HCX 56 T6 0,25kW	Inlet	55	65	73	75	75	73	71	63	84
HCX 56 T6 0,37kW	Inlet	47	56	61	66	69	69	70	61	76
HCX 63 T6 0,37kW	Inlet	51	59	69	75	74	73	73	66	81
HCX 63 T6 0,55kW	Inlet	48	57	63	67	71	70	70	64	77
HCX 71 T6 0,75kW	Inlet	50	57	63	70	72	72	74	65	79
HCX 80 T6 0,75kW	Inlet	53	65	71	79	84	82	82	73	87
HCX 80 T6 1,1kW	Inlet	56	68	75	84	82	80	80	72	89
HCX 80 T6 1,5kW	Inlet	56	63	69	74	76	76	77	69	84
HCX 80 T6 2,2kW	Inlet	55	62	68	71	74	76	75	69	83