

BD EXO



DOUBLE INLET EXTERNAL ROTOR MOTOR

MANUFACTURING FEATURES

- Fully made of galvanised steel sheet (EN 10142) with overlapping binding by high-tech folding.
- Double inlet forward curved impeller made of galvanized steel sheet.
- Supplied with mounting feed included in price.
- External rotor motor and impeller assembled as a set, supported by fixing arms.

Closed motor with IP-55 protection index. Manufactured with standard voltages: 230V 50Hz in single phase motors (with voltage adjustable speed and integrated thermal protectors) and 230/400V in three phase motors (adjustable motor by transformer). Ball bearings greased for life and integrated vibration isolation. Dynamically balanced according to DIN ISO 1940. With mounted terminal box. Performance data according to AMCA 210-99 (fig. 12), UNI 10531 (section 29.2 Figure 30c and f) and ISO 5801 (fig. 69 c and f section 30.2).

Accessories



INT



REG



REG
VMC



REGD



SFC

APPLICATIONS

Designed for assembly in equipment:

- Ventilation boxes and air handling units.
- Centrifugal heaters.
- Industrial and professional kitchen hoods.
- Maximum working temperature: 50°C.

Technical data

Single-phase motor / 4 poles

Code	Model	R.P.M.	Rated I. (A) 230V	Rated power kW	Max. Airflow m3/h	Sound db (A)**	Weight	Connect. diagram
509000701	BD EXO 7/7 M4 0,15kW	1228	1,6	0,15	1.700	-	12	1
509000903	BD EXO 9/9 M4 0,55kW	1370	4,6	0,55	4.400	-	14,50	1
509001003	BD EXO 10/10 M4 0,6kW	1355	6,8	0,60	5.200	-	27	1

Single-phase motor / 6 poles

Code	Model	R.P.M.	Rated I. (A) 230V	Rated power kW	Max. Airflow m3/h	Sound db (A)**	Weight	Connect. diagram
509000707	BD EXO 7/7 M6 0,05kW	863	0,65	0,05	1.360	-	12,50	1
509001008	BD EXO 10/10 M6 0,32kW	883	2,9	0,32	3.700	-	20	1

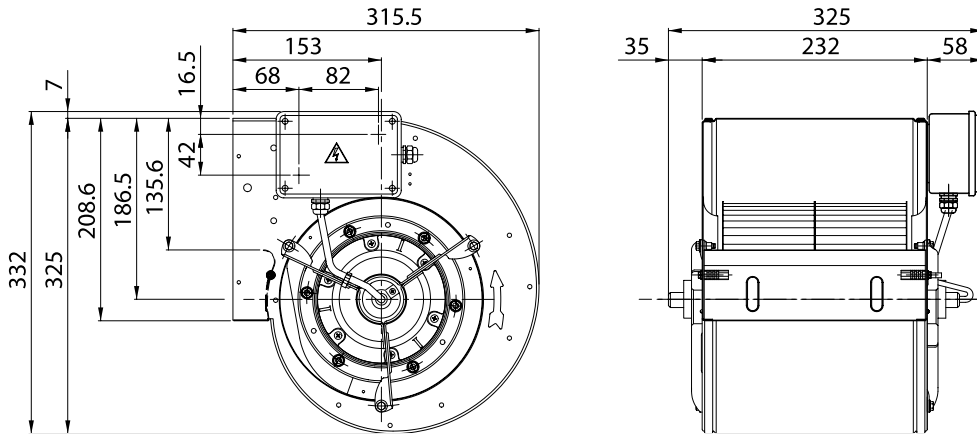
Three-phase motor / 6 poles

Code	Model	R.P.M.	Rated I. (A) 400V	Rated power kW	Max. Airflow m3/h	Sound db (A)**	Weight	Connect. diagram
509001271	BD EXO 12/12 T6 0,55kW	896	2,8	0,55	5.800	-	34	2

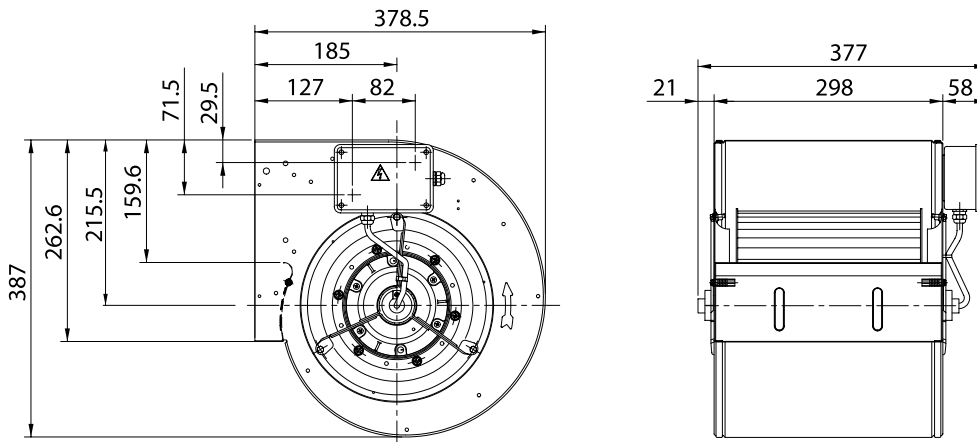
Notes:

** Total sound pressure level at the point of maximum flow measured in dB(A) in the suction measured in free field at a distance of 6m from the source

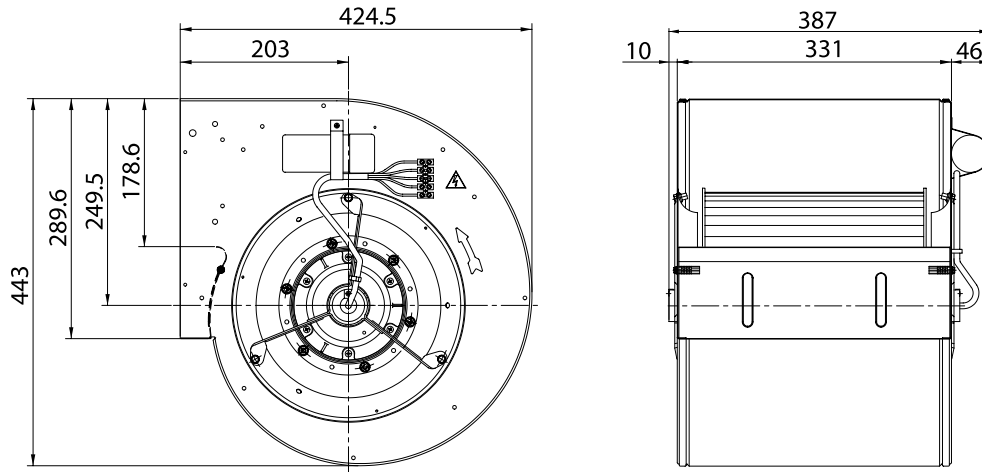
Dimensions



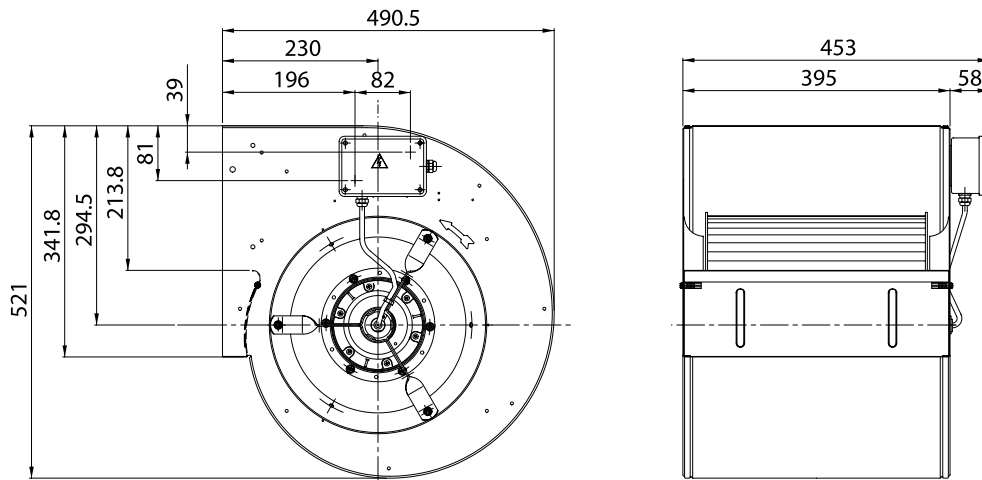
Model	1900-01-0 7 00:00: 00
BD EXO 7/7 M4 0,15kW	
BD EXO 7/7 M6 0,05kW	



Model	1900-01-0 9 00:00: 00
BD EXO 9/9 M4 0,55kW	



Model	1900-01-1 0 00:00: 00
BD EXO 10/10 M4 0,6kW	
BD EXO 10/10 M6 0,32kW	



Model	1900-01-1 2 00:00: 00
BD EXO 12/12 T6 0,55kW	

Wiring diagram

DIAGRAM Nº 1

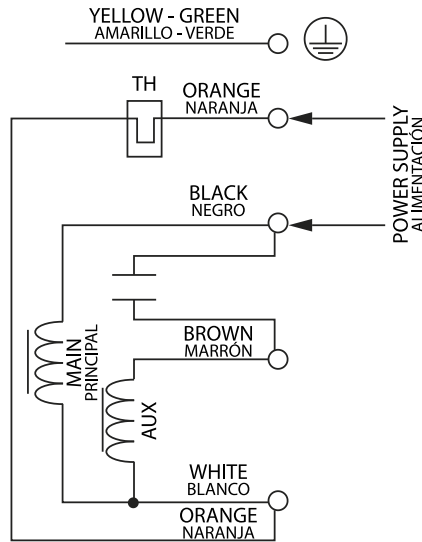
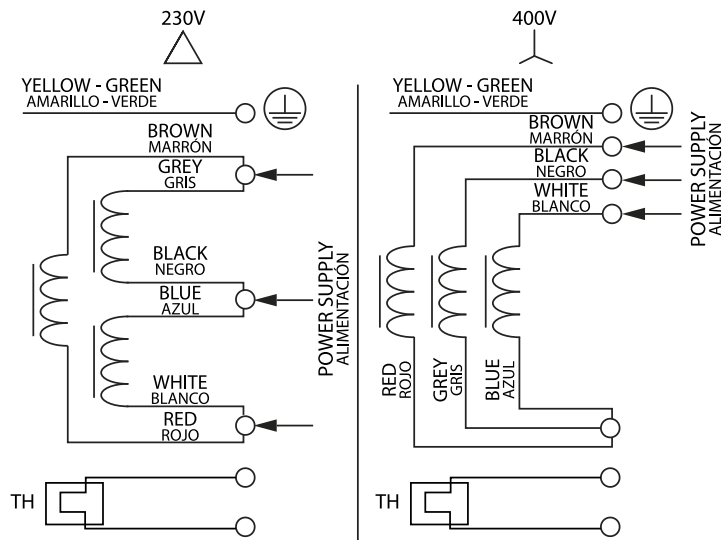


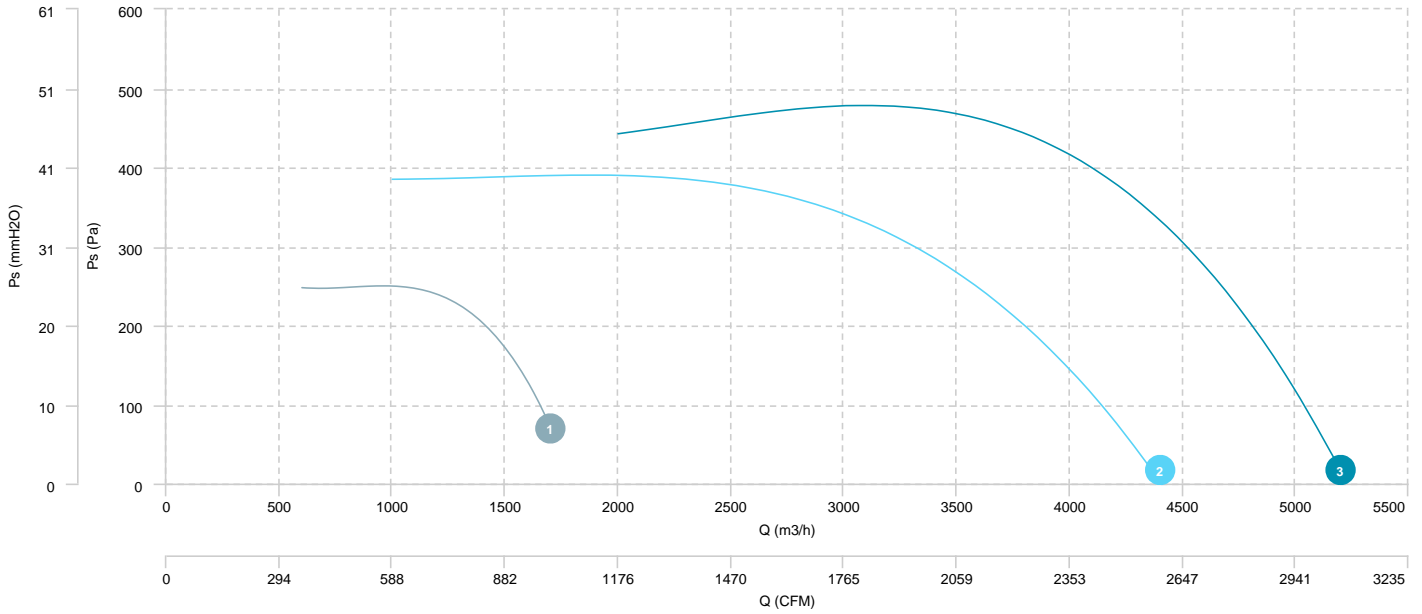
DIAGRAM Nº 2



CHARACTERISCTIC CURVE

- 1 BD EXO 7/7 M4 0,15kW
- 2 BD EXO 9/9 M4 0,55kW
- 3 BD EXO 10/10 M4 0,6kW

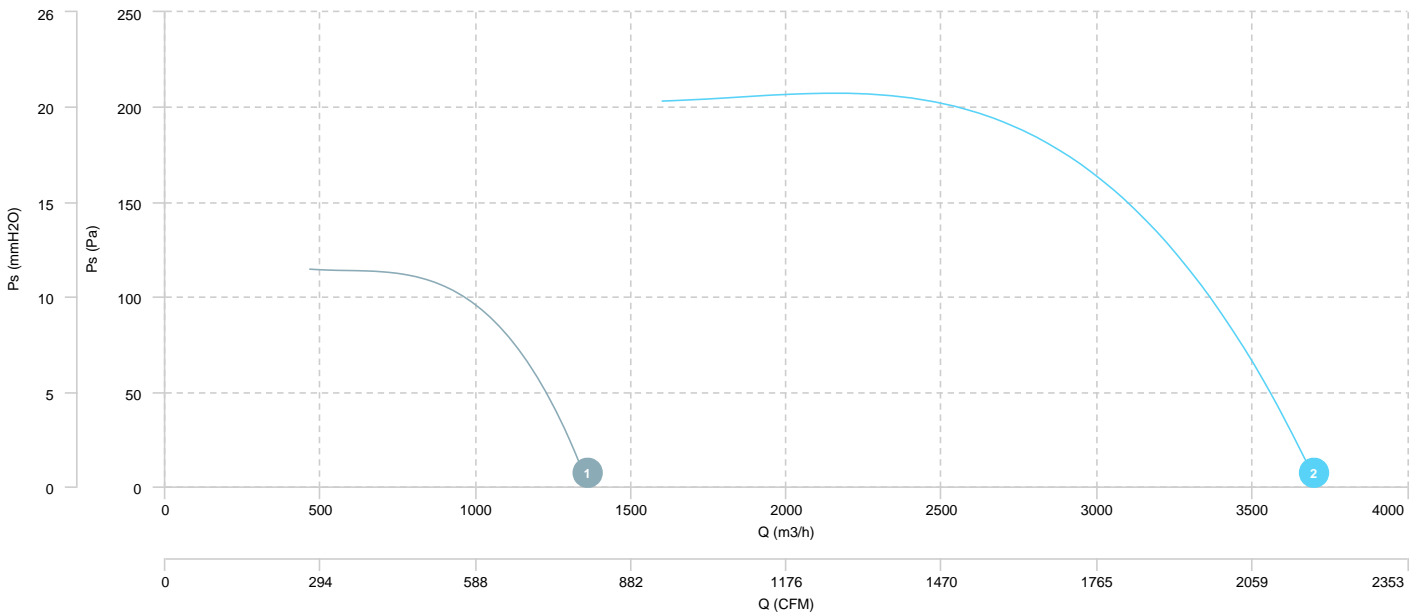
AIR FLOW - PRESSURE



1 BD EXO 7/7 M6 0,05kW

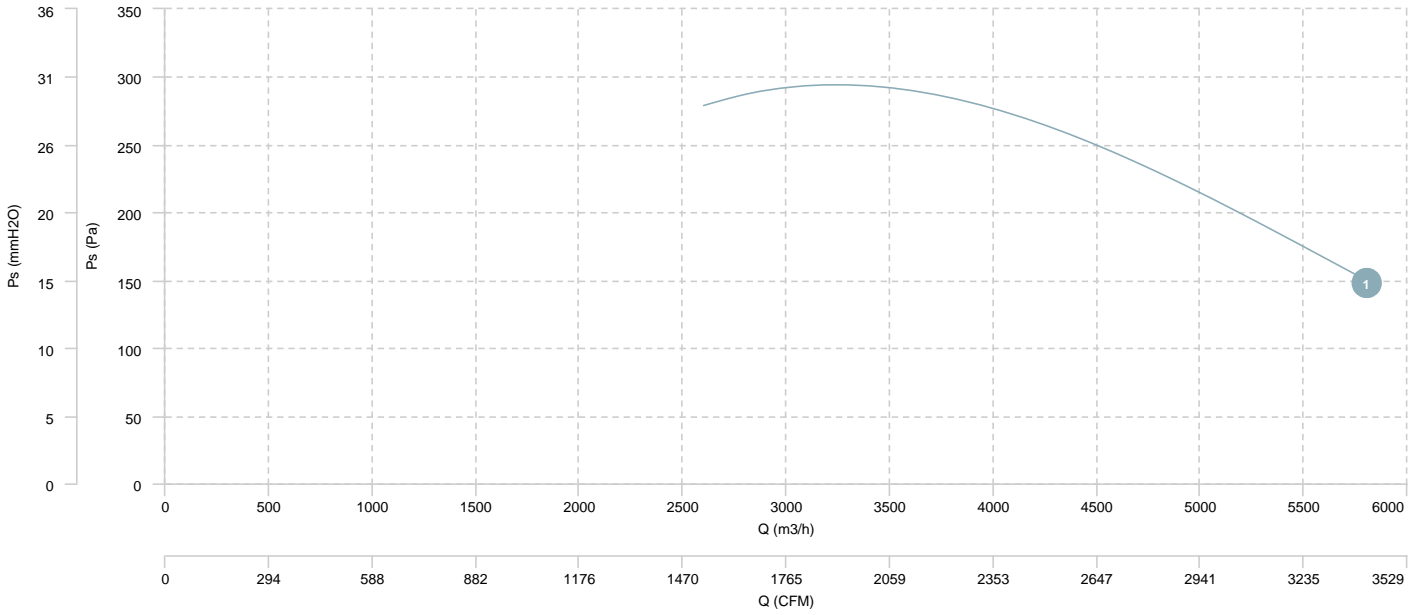
2 BD EXO 10/10 M6 0,32kW

AIR FLOW - PRESSURE



1 BD EXO 12/12 T6 0,55kW

AIR FLOW - PRESSURE



erp data

ERP	
Fan type	Centrifugal fan radial or forward blades
Installation category	B
Efficiency category	Total
The fan has to be installed with FSC	No

ERP / 4 poles

Model	Motor power (kW)	Maximum efficiency point data						
		Max. efficiency (%)	Efficiency grade (N) (N)	Air Flow (m3/h)	Pt (Pa)	Pabs (kW)	speed (rpm)	Specific ratio
BD EXO 7/7 M4 0,15kW	0,15	38,80	49,05	1.202	278	0,24	1228	1,00
BD EXO 9/9 M4 0,55kW	0,55	41,30	49,01	2.192,40	410,90	0,60	1370	1,00
BD EXO 10/10 M4 0,6kW	0,60	43,40	52,25	3.322,44	514,27	0,40	1329	1,01

ERP / 6 poles

Model	Motor power (kW)	Maximum efficiency point data						
		Max. efficiency (%)	Efficiency grade (N) (N)	Air Flow (m3/h)	Pt (Pa)	Pabs (kW)	speed (rpm)	Specific ratio
BD EXO 10/10 M6 0,32kW	0,32	40,20	49,05	2.433	273,20	0,40	883	1,00
BD EXO 12/12 T6 0,55kW	0,55	42,10	48,98	0,96	329,30	0,82	896	1,00