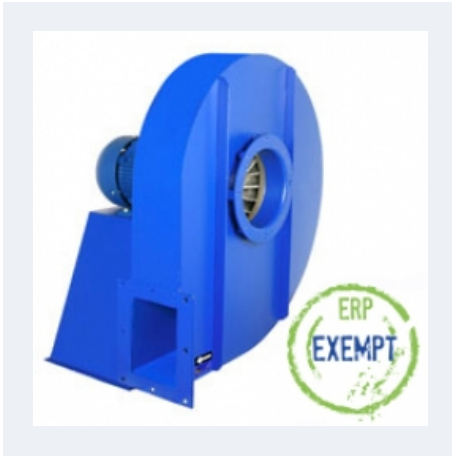


## AAX 45/5-60/7



### HIGH PRESSURE WITH ALUMINIUM BACKWARD IMPELLER ATEX

#### MANUFACTURING FEATURES:

- Rolling steel sheet housing.
- Fully welded housing.
- High efficiency simple inlet backward impeller with self-cleaning system manufactured in cast aluminium.
- Polyester powder finishing coat.
- Standard asynchronous squirrel-cage motor with IP-55 protection and class F insulation. Standard voltages 230/400V 50Hz motors up to 4kW and 400/690V 50Hz for higher powers EEx\_d II2G classification.
- Standard orientation: LG270

#### APPLICATIONS:

- General ventilation in closed environments classified as ATEX zone 1 or 2. Designed for inline installation, they are suitable for:
- Industrial applications, extraction or injection of air.
- Cooling of machines and parts.
- Clean air transport.
- Exhaust after filters, separators and cyclones.
- Pneumatic transport.
- Maximum working temperature: carried air: 130°C, ambient 60°C.

#### UNDER REQUEST:

- ATEX for different categories.
- Orientation: LG0, LG45, LG90, LG135, LG180, LG225, LG315

ORGANISM: L.O.M.

CERTIFICAT N°: LOM 17.407N-C

In compliance with the Directive 2014/34/UE. ATEX certified II2G and II3G/D

## Accessories



INT



RA



SFC

## Technical data

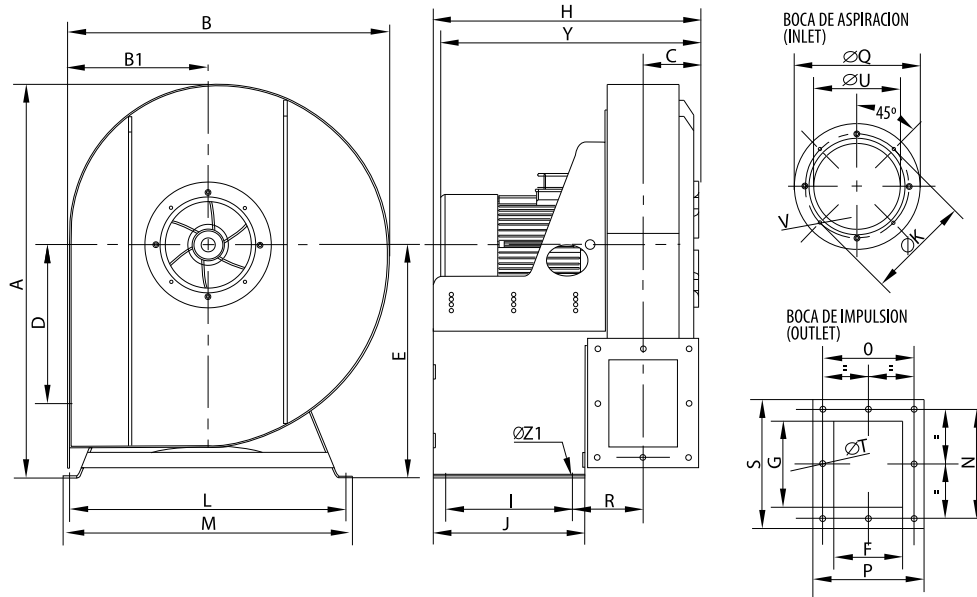
### Three-phase motor / 2 poles

Code	Model	R.P.M.	Rated I. (A) 400V	Rated power kW	Max. Airflow m3/h	Sound db (A)**	Weight	Connect. diagram
255120106XD	AAX 45/5 T2 2,2kW	2800	5,4	2,20	1.680	83	62,50	1
255120120XD	AAX 45/5 T2 3kW	2870	7,3	3	2.760	83	69,50	1
255150106XD	AAX 50/5 T2 4kW	2890	9,2	4	2.930	86	79	1
255150120XD	AAX 50/5 T2 5,5kW	2900	11,46	5,50	4.650	86	92	1
255520120XD	AAX 60/7 T2 11kW	2930	21,4	11	5.480	90	141	1

**Notes:**

\*\* Total sound pressure level at the point of maximum flow measured in dB(A) in the suction measured in free field at a distance of 6m from the source

## Dimensions



Model	A	B	B1	C	D	E	F	G	H
AAX 45/5 T2 2,2kW	776	635	276,5	115	313	460	135	170	529,5
AAX 45/5 T2 3kW	776	635	276,5	115	313	460	135	170	529,5
AAX 50/5 T2 4kW	877	716,5	307,25	121	358	520	150	200	583
AAX 50/5 T2 5,5kW	877	716,5	307,25	121	358	520	150	200	583
AAX 60/7 T2 11kW	922,5	777,5	347,75	132,5	383	535	170	170	640,5

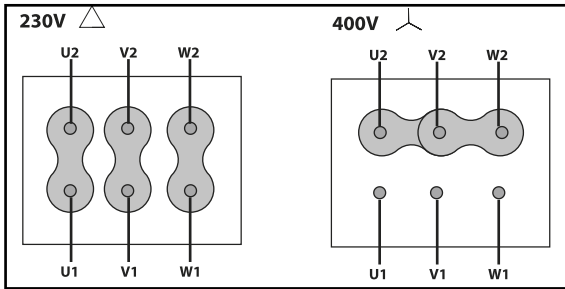
Model	I	J	KØ	L	M	N	O	P	QØ
AAX 45/5 T2 2,2kW	250	300	205	545	570	215	180	219	249
AAX 45/5 T2 3kW	250	300	205	545	570	215	180	219	249
AAX 50/5 T2 4kW	275	325	258	589	614	256	206	246	292
AAX 50/5 T2 5,5kW	275	325	258	589	614	256	206	246	292
AAX 60/7 T2 11kW	315	365	280	589	614	226	226	266	325

Model	R	S	TØ	UØ	V	Y	Z1Ø
AAX 45/5 T2 2,2kW	139,5	254	11	170	M6	504,5	11
AAX 45/5 T2 3kW	139,5	254	11	170	M6	514,5	11
AAX 50/5 T2 4kW	162	280	11	210	M6	548	11
AAX 50/5 T2 5,5kW	162	280	11	210	M6	603	11
AAX 60/7 T2 11kW	168	266	11	246	M6	760,5	11

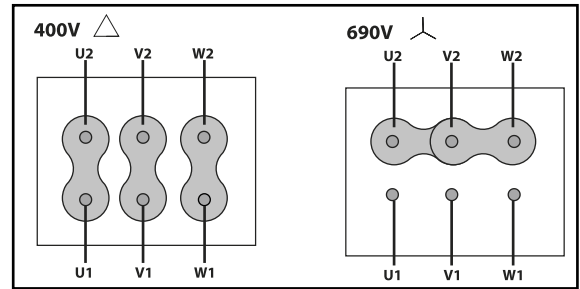
# Wiring diagram

DIAGRAM N° 1

230/400V



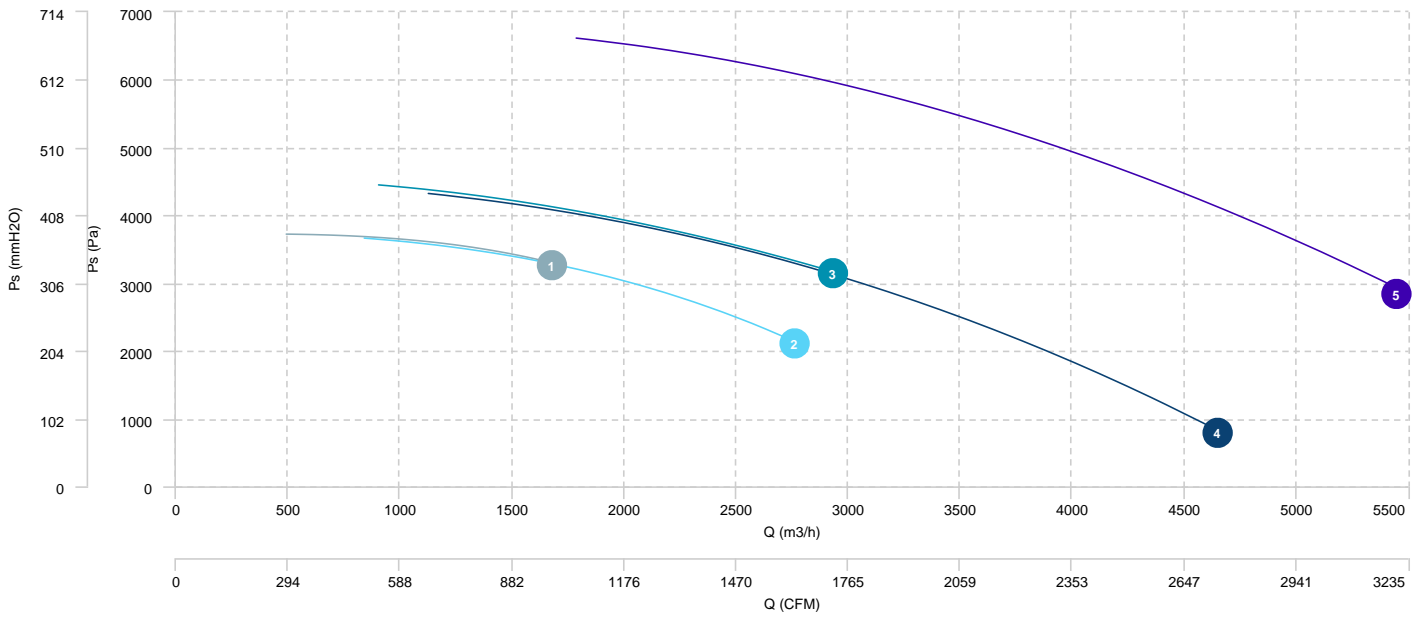
400/690V



# CHARACTERISCTIC CURVE

- 1 AAX 45/5 T2 2,2kW
- 2 AAX 45/5 T2 3kW
- 3 AAX 50/5 T2 4kW
- 4 AAX 50/5 T2 5,5kW
- 5 AAX 60/7 T2 11kW

## AIR FLOW - PRESSURE



## Sound data

### Sound / 2 poles

		Sound power Lw dB (A)								
Model		63 Hz	125 Hz	250 Hz	500 Hz	1000 Hz	2000 Hz	4000 Hz	8000 Hz	Total
AAX 45/5 T2 2,2kW	Inlet	62	74	91	97	106	104	98	90	109
AAX 45/5 T2 3kW	Inlet	63	75	92	98	106	104	98	90	109
AAX 50/5 T2 4kW	Inlet	66	78	95	101	109	107	101	93	112
AAX 50/5 T2 5,5kW	Inlet	66	78	95	101	109	107	102	93	112
AAX 60/7 T2 11kW	Inlet	70	82	99	105	113	111	106	97	116