

## AAVC



### HIGH PRESSURE WITH BACKWARD IMPELLER

#### MANUFACTURING FEATURES:

- Fan made of Fe360 sheet. The fan paint finish is based on a Qualicoat polyester powder coating stoved at 200°C, with an average film thickness of 70 microns. Average heat resistance of coating is 180°C with peaks of 200°C.
- Fully welded housing.
- High efficiency simple inlet backward curved impeller made of Fe360 sheet statically and dynamically balanced. Impellers are painted with epoxy primer that resists temperatures up to 300°C.
- Standard asynchronous squirrel-cage motor with IP-55 protection and class F insulation. Manufactured with standard voltages: 230/400V 50Hz in three phase motors up to 4kW and 400/690V 50Hz for higher powers.
- Standard orientation LG270.
- It allows adjusting the orientation locally

#### APPLICATIONS:

Designed for inline installation, they are suitable for:

- Industrial applications, extraction or injection of air.
- Cooling of machines and parts.
- Clean air transport.
- Exhaust after filters, separators and cyclones.
- Pneumatic transport.
- Maximum working temperature: carried air: 130°C, ambient: 60°C.

#### UNDER REQUEST:

- 60Hz fans and special voltages.
- 2 speed motors.
- Spark-proof fans with ATEX certified motor.
- Fan for air working temperatures up to 250°C with R/R (cooling impeller).
- Hot-dipped galvanised or stainless steel fans.
- Orientation: RD0, RD45, RD90, RD135, RD180, RD225, RD270, RD315, LG0, LG45, LG90, LG135, LG180. LG225, LG315.

## Accessories



AC



BAD



EI



FILTRO  
EMC



INT



RA



RI



SFC

## Technical data

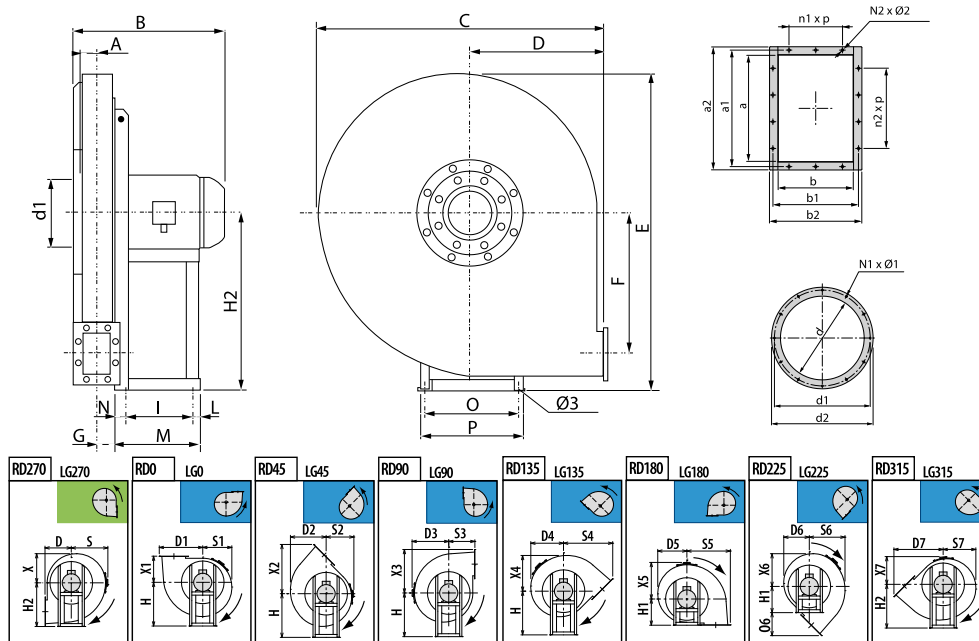
### Three-phase motor / 2 poles

Code	Model	R.P.M.	Rated I. (A) 400V	Rated power kW	Max. Airflow m3/h	Sound db (A)*	Weight	Connect. diagram
502505019	AAVC/N 500 T2 1,5kW	2800	3,14	1,50	790	57	43	1
502505627	AAVC/N 560 T2 2,2kW	2800	4,58	2,20	870	58	69	1
502506332	AAVC/N 630 T2 4kW	2890	7,63	4	1.230	63	133	1
502506334	AAVC/N 630 T2 5,5kW	2900	10,6	5,50	1.620	63	143	1
502507136	AAVC/N 710 T2 7,5kW	2900	14,1	7,50	1.800	67	204	1
502507121	AAVC/N 710 T2 11kW	2930	20,8	11	2.520	68	238	1
502508021	AAVC/N 800 T2 11kW	2930	20,8	11	1.800	71	254	1
502508024	AAVC/N 800 T2 15kW	2930	27,4	15	2.880	72	254	1
502509026	AAVC/N 900 T2 18,5kW	2935	34,4	18,50	2.160	74	348	1
502509028	AAVC/N 900 T2 22kW	2940	39,8	22	3.240	74	404	1
502510031	AAVC/N 1000 T2 37kW	2955	66,7	37	3.600	78	577	1
502510033	AAVC/N 1000 T2 45kW	2960	78	45	6.300	79	657	1
502511235	AAVC/N 1120 T2 55kW	2965	95	55	3.600	82	815	1
502511237	AAVC/N 1120 T2 75kW	2965	130	75	7.200	84	945	1
507105018	AAVC/NR 500 T2 1,1kW	2800	2,33	1,10	650	56	40	1
507105619	AAVC/NR 560 T2 1,5kW	2800	3,14	1,50	540	58	66	1
507106329	AAVC/NR 630 T2 3kW	2870	5,92	3	1.080	61	118	1
507106332	AAVC/NR 630 T2 4kW	2890	7,63	4	1.370	61	132	1
507107134	AAVC/NR 710 T2 5,5kW	2900	10,6	5,50	1.440	66	200	1
507107136	AAVC/NR 710 T2 7,5kW	2900	14,1	7,50	1.800	67	200	1
507108036	AAVC/NR 800 T2 7,5kW	2900	14,1	7,50	1.230	70	214	1
507108021	AAVC/NR 800 T2 11kW	2930	20,8	11	2.520	71	248	1
507109024	AAVC/NR 900 T2 15kW	2930	27,4	15	2.160	73	333	1
507109026	AAVC/NR 900 T2 18,5kW	2935	34,4	18,50	3.240	74	345	1
507110030	AAVC/NR 1000 T2 30kW	2950	56,6	30	3.240	77	570	1
507110031	AAVC/NR 1000 T2 37kW	2955	66,7	37	4.500	78	570	1
507111233	AAVC/NR 1120 T2 45kW	2960	78	45	4.500	81	725	1
507111235	AAVC/NR 1120 T2 55kW	2965	95	55	5.400	82	815	1

**Notes:**

\* Total sound pressure level at the point of maximum flow measured in dB(A) in the suction measured in free field at a distance of 6m from the source

## Dimensions



Model	A	B	C	D	D1	D2	D3	D4	D5
AAVC/N 500 T2 1,5kW	45	391	745	335	430	386	410	370	346
AAVC/N 560 T2 2,2kW	50	401	835	375	482	438	460	418	391
AAVC/N 630 T2 4kW	58	463	940	425	539	493	515	472	441
AAVC/N 630 T2 5,5kW	58	503	940	425	539	493	515	472	441
AAVC/N 710 T2 7,5kW	67	518	1045	475	605	547	570	522	493
AAVC/N 710 T2 11kW	67	623	1045	475	605	547	570	522	493
AAVC/N 800 T2 11kW	73	635	1170	530	678	622	640	592	554
AAVC/N 800 T2 15kW	73	635	1170	530	678	622	640	592	554
AAVC/N 900 T2 18,5kW	84	649	1315	600	759	696	715	668	628
AAVC/N 900 T2 22kW	84	730	1315	600	759	696	715	668	628
AAVC/N 1000 T2 37kW	90	856	1460	670	846	775	790	735	690
AAVC/N 1000 T2 45kW	90	898	1460	670	846	775	790	735	690
AAVC/N 1120 T2 55kW	103	1026	1630	750	942	898	880	857	770
AAVC/N 1120 T2 75kW	103	1029	1630	750	942	898	880	857	770
AAVC/NR 500 T2 1,1kW	45	344	745	335	430	386	410	370	346
AAVC/NR 560 T2 1,5kW	50	401	835	375	482	438	460	418	391
AAVC/NR 630 T2 3kW	58	442	940	425	539	493	515	472	441
AAVC/NR 630 T2 4kW	58	463	940	425	539	493	515	472	441
AAVC/NR 710 T2 5,5kW	67	518	1045	475	605	547	570	522	493
AAVC/NR 710 T2 7,5kW	67	518	1045	475	605	547	570	522	493
AAVC/NR 800 T2 7,5kW	73	530	1170	530	678	622	640	592	554

Model	A	B	C	D	D1	D2	D3	D4	D5
AAVC/NR 800 T2 11kW	73	635	1170	530	678	622	640	592	554
AAVC/NR 900 T2 15kW	84	649	1315	600	759	696	715	668	628
AAVC/NR 900 T2 18,5kW	84	649	1315	600	759	696	715	668	628
AAVC/NR 1000 T2 30kW	90	856	1460	670	846	775	790	735	690
AAVC/NR 1000 T2 37kW	90	856	1460	670	846	775	790	735	690
AAVC/NR 1120 T2 45kW	103	918	1630	750	942	898	880	857	770
AAVC/NR 1120 T2 55kW	103	1026	1630	750	942	898	880	857	770

Model	D6	D7	E	F	G	H	H1	H2	I
AAVC/N 500 T2 1,5kW	350	541	796	347	42	450	450	450	133
AAVC/N 560 T2 2,2kW	392	606	891	393	48	500	500	500	133
AAVC/N 630 T2 4kW	438	681	1001	443	53	560	560	560	197
AAVC/N 630 T2 5,5kW	438	681	1001	443	53	560	560	560	237
AAVC/N 710 T2 7,5kW	489	764	1123	497	58	630	630	630	237
AAVC/N 710 T2 11kW	489	764	1123	497	58	630	630	630	337
AAVC/N 800 T2 11kW	545	854	1264	560	64	710	710	710	337
AAVC/N 800 T2 15kW	545	854	1264	560	64	710	710	710	337
AAVC/N 900 T2 18,5kW	617	961	1428	631	71	800	800	800	337
AAVC/N 900 T2 22kW	617	961	1428	631	71	800	800	800	357
AAVC/N 1000 T2 37kW	670	1074	1590	707	80	900	900	900	381
AAVC/N 1000 T2 45kW	670	1074	1590	707	80	900	900	900	421
AAVC/N 1120 T2 55kW	713	1196	1770	791	91	1000	1000	1000	501
AAVC/N 1120 T2 75kW	713	1196	1770	791	91	1000	1000	1000	591
AAVC/NR 500 T2 1,1kW	350	541	796	347	42	450	450	450	121
AAVC/NR 560 T2 1,5kW	392	606	891	393	48	500	500	500	133
AAVC/NR 630 T2 3kW	438	681	1001	443	53	560	560	560	197
AAVC/NR 630 T2 4kW	438	681	1001	443	53	560	560	560	197
AAVC/NR 710 T2 5,5kW	489	764	1123	497	58	630	630	630	237
AAVC/NR 710 T2 7,5kW	489	764	1123	497	58	630	630	630	237
AAVC/NR 800 T2 7,5kW	545	854	1264	560	64	710	710	710	237
AAVC/NR 800 T2 11kW	545	854	1264	560	64	710	710	710	337
AAVC/NR 900 T2 15kW	617	961	1428	631	71	800	800	800	337
AAVC/NR 900 T2 18,5kW	617	961	1428	631	71	800	800	800	337
AAVC/NR 1000 T2 30kW	670	1074	1590	707	80	900	900	900	381
AAVC/NR 1000 T2 37kW	670	1074	1590	707	80	900	900	900	381
AAVC/NR 1120 T2 45kW	713	1196	1770	791	91	1000	1000	1000	421
AAVC/NR 1120 T2 55kW	713	1196	1770	791	91	1000	1000	1000	501

Model	L	M	N	N1 x Ø1	N2 x Ø2	O	O6	P	S
AAVC/N 500 T2 1,5kW	58	246	55	8x8	4x10	234	206	260	410

Model	L	M	N	N1 x Ø1	N2 x Ø2	O	O6	P	S
AAVC/N 560 T2 2,2kW	58	246	55	8x8	4x10	234	231	260	460
AAVC/N 630 T2 4kW	49	276	30	8X8	6x10	289	256	324	515
AAVC/N 630 T2 5,5kW	59	336	40	8X8	6x10	337	256	372	515
AAVC/N 710 T2 7,5kW	59	336	40	8X8	6x12	337	289	372	570
AAVC/N 710 T2 11kW	49	436	50	8X8	6x12	395	289	440	570
AAVC/N 800 T2 11kW	49	436	50	8X8	6x12	395	324	440	640
AAVC/N 800 T2 15kW	49	436	50	8X8	6x12	395	324	440	640
AAVC/N 900 T2 18,5kW	49	436	50	8X10	6x12	395	361	440	715
AAVC/N 900 T2 22kW	33	460	70	8X10	6x12	434	361	488	715
AAVC/N 1000 T2 37kW	39	500	80	8X12	8x12	506	174	568	790
AAVC/N 1000 T2 45kW	39	540	80	8X12	8x12	556	174	616	790
AAVC/N 1120 T2 55kW	39	600	60	8X12	8x12	604	446	690	880
AAVC/N 1120 T2 75kW	46	697	60	8X12	8x12	690	446	750	880
AAVC/NR 500 T2 1,1kW	45	211	45	8x8	4x10	203	206	225	410
AAVC/NR 560 T2 1,5kW	58	246	55	8x8	4x10	234	231	260	460
AAVC/NR 630 T2 3kW	49	276	30	8x8	6x10	289	256	324	515
AAVC/NR 630 T2 4kW	49	276	30	8X8	6x10	289	256	324	515
AAVC/NR 710 T2 5,5kW	59	336	40	8X8	6x12	337	289	372	570
AAVC/NR 710 T2 7,5kW	59	336	40	8X8	6x12	337	289	372	570
AAVC/NR 800 T2 7,5kW	59	336	40	8X8	6x12	337	324	372	640
AAVC/NR 800 T2 11kW	49	436	50	8X8	6x12	395	324	440	640
AAVC/NR 900 T2 15kW	49	436	50	8X10	6x12	395	361	440	715
AAVC/NR 900 T2 18,5kW	49	436	50	8X10	6x12	395	361	440	715
AAVC/NR 1000 T2 30kW	39	500	80	8X12	8x12	506	174	568	790
AAVC/NR 1000 T2 37kW	39	500	80	8X12	8x12	506	174	568	790
AAVC/NR 1120 T2 45kW	39	540	80	8X12	8x12	556	446	616	880
AAVC/NR 1120 T2 55kW	39	600	60	8X12	8x12	604	446	690	880

Model	S1	S2	S3	S4	S5	S6	S7	X	X1
AAVC/N 500 T2 1,5kW	346	350	335	541	430	386	370	335	335
AAVC/N 560 T2 2,2kW	391	392	375	606	482	438	418	391	375
AAVC/N 630 T2 4kW	441	438	425	681	539	493	472	441	425
AAVC/N 630 T2 5,5kW	441	438	425	681	539	493	472	441	425
AAVC/N 710 T2 7,5kW	493	489	475	764	605	547	522	493	475
AAVC/N 710 T2 11kW	493	489	475	764	605	547	522	493	475
AAVC/N 800 T2 11kW	554	545	530	854	678	622	592	554	530
AAVC/N 800 T2 15kW	554	545	530	854	678	622	592	554	530
AAVC/N 900 T2 18,5kW	628	617	600	961	759	696	668	628	600
AAVC/N 900 T2 22kW	628	617	600	961	759	696	668	628	600
AAVC/N 1000 T2 37kW	690	670	670	1074	846	775	735	690	670

Model	S1	S2	S3	S4	S5	S6	S7	X	X1
AAVC/N 1000 T2 45kW	690	670	670	1074	846	775	735	690	670
AAVC/N 1120 T2 55kW	770	713	750	1196	942	898	857	770	750
AAVC/N 1120 T2 75kW	770	713	750	1196	942	898	857	770	750
AAVC/NR 500 T2 1,1kW	346	350	335	541	430	386	370	346	335
AAVC/NR 560 T2 1,5kW	391	392	375	606	482	438	418	391	375
AAVC/NR 630 T2 3kW	441	438	425	681	539	493	472	441	425
AAVC/NR 630 T2 4kW	441	438	425	681	539	493	472	441	425
AAVC/NR 710 T2 5,5kW	493	489	475	764	605	547	522	493	475
AAVC/NR 710 T2 7,5kW	493	489	475	764	605	547	522	493	475
AAVC/NR 800 T2 7,5kW	554	545	530	854	678	622	592	554	530
AAVC/NR 800 T2 11kW	554	545	530	854	678	622	592	554	530
AAVC/NR 900 T2 15kW	628	617	600	961	759	696	668	628	600
AAVC/NR 900 T2 18,5kW	628	617	600	961	759	696	668	628	600
AAVC/NR 1000 T2 30kW	690	670	670	1074	846	775	735	690	670
AAVC/NR 1000 T2 37kW	690	670	670	1074	846	775	735	690	670
AAVC/NR 1120 T2 45kW	770	713	750	1196	942	898	857	770	750
AAVC/NR 1120 T2 55kW	770	713	750	1196	942	898	857	770	750

Model	X2	X3	X4	X5	X6	X7	a	a1	a2
AAVC/N 500 T2 1,5kW	541	430	386	410	370	350	105	139	165
AAVC/N 560 T2 2,2kW	606	482	438	460	418	392	117	151	177
AAVC/N 630 T2 4kW	681	539	493	515	472	438	131	165	191
AAVC/N 630 T2 5,5kW	681	539	493	515	472	438	131	165	191
AAVC/N 710 T2 7,5kW	764	605	547	570	522	489	146	182	216
AAVC/N 710 T2 11kW	764	605	547	570	522	489	146	182	216
AAVC/N 800 T2 11kW	854	678	622	640	592	545	166	200	236
AAVC/N 800 T2 15kW	854	678	622	640	592	545	166	200	236
AAVC/N 900 T2 18,5kW	961	759	696	715	668	617	185	219	255
AAVC/N 900 T2 22kW	961	759	696	715	668	617	185	219	255
AAVC/N 1000 T2 37kW	1074	846	775	790	735	670	207	241	277
AAVC/N 1000 T2 45kW	1074	846	775	790	735	670	207	241	277
AAVC/N 1120 T2 55kW	1196	942	898	880	857	713	231	265	301
AAVC/N 1120 T2 75kW	1196	942	898	880	857	713	231	265	301
AAVC/NR 500 T2 1,1kW	541	430	386	410	370	350	105	139	165
AAVC/NR 560 T2 1,5kW	606	482	438	460	418	392	117	151	177
AAVC/NR 630 T2 3kW	681	539	493	515	472	438	131	165	191
AAVC/NR 630 T2 4kW	681	539	493	515	472	438	131	165	191
AAVC/NR 710 T2 5,5kW	764	605	547	570	522	489	146	182	216
AAVC/NR 710 T2 7,5kW	764	605	547	570	522	489	146	182	216
AAVC/NR 800 T2 7,5kW	854	678	622	640	592	545	166	200	236

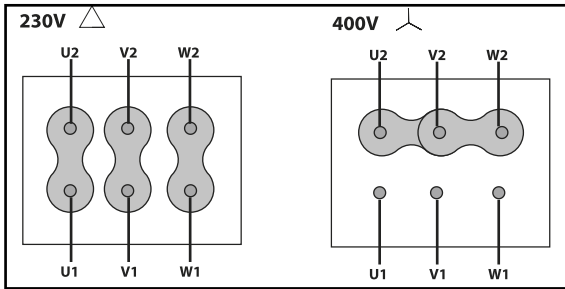
Model	X2	X3	X4	X5	X6	X7	a	a1	a2
AAVC/NR 800 T2 11kW	854	678	622	640	592	545	166	200	236
AAVC/NR 900 T2 15kW	961	759	696	715	668	617	185	219	255
AAVC/NR 900 T2 18,5kW	961	759	696	715	668	617	185	219	255
AAVC/NR 1000 T2 30kW	1074	846	775	790	735	670	207	241	277
AAVC/NR 1000 T2 37kW	1074	846	775	790	735	670	207	241	277
AAVC/NR 1120 T2 45kW	1196	942	898	880	857	713	231	265	301
AAVC/NR 1120 T2 55kW	1196	942	898	880	857	713	231	265	301

Model	b	b1	b2	d	d1	d2	n1 x p	n2 x p	Ø3
AAVC/N 500 T2 1,5kW	76	110	136	145	182	215	-	-	10
AAVC/N 560 T2 2,2kW	85	119	145	165	200	235	-	-	10
AAVC/N 630 T2 4kW	95	129	155	185	219	250	-	1x100	12
AAVC/N 630 T2 5,5kW	95	129	155	185	219	250	-	1x100	12
AAVC/N 710 T2 7,5kW	105	139	175	205	241	275	-	1x112	12
AAVC/N 710 T2 11kW	105	139	175	205	241	275	-	1x112	14
AAVC/N 800 T2 11kW	117	151	187	228	265	298	-	1x112	14
AAVC/N 800 T2 15kW	117	151	187	228	265	298	-	1x112	14
AAVC/N 900 T2 18,5kW	131	165	201	255	292	325	-	1x112	14
AAVC/N 900 T2 22kW	131	165	201	255	292	325	-	1x112	17
AAVC/N 1000 T2 37kW	148	182	218	285	332	365	1x112	1x112	19
AAVC/N 1000 T2 45kW	148	182	218	285	332	365	1x112	1x112	19
AAVC/N 1120 T2 55kW	166	200	236	320	366	400	1x112	1x112	19
AAVC/N 1120 T2 75kW	166	200	236	320	366	400	1x112	1x112	21
AAVC/NR 500 T2 1,1kW	76	110	136	145	182	215	-	-	10
AAVC/NR 560 T2 1,5kW	85	119	145	165	200	235	-	-	10
AAVC/NR 630 T2 3kW	95	129	155	185	219	250	-	1x100	12
AAVC/NR 630 T2 4kW	95	129	155	185	219	250	-	1x100	12
AAVC/NR 710 T2 5,5kW	105	139	175	205	241	275	-	1x112	12
AAVC/NR 710 T2 7,5kW	105	139	175	205	241	275	-	1x112	12
AAVC/NR 800 T2 7,5kW	117	151	187	228	265	298	-	1x112	12
AAVC/NR 800 T2 11kW	117	151	187	228	265	298	-	1x112	14
AAVC/NR 900 T2 15kW	131	165	201	255	292	325	-	1x112	14
AAVC/NR 900 T2 18,5kW	131	165	201	255	292	325	-	1x112	14
AAVC/NR 1000 T2 30kW	148	182	218	285	332	365	1x112	1x112	19
AAVC/NR 1000 T2 37kW	148	182	218	285	332	365	1x112	1x112	19
AAVC/NR 1120 T2 45kW	166	200	236	320	366	400	1x112	1x112	19
AAVC/NR 1120 T2 55kW	166	200	236	320	366	400	1x112	1x112	19

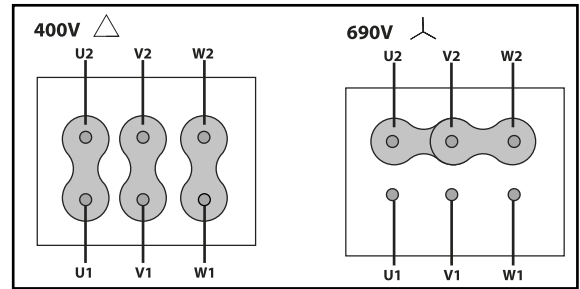
# Wiring diagram

DIAGRAM Nº 1

230/400V



400/690V

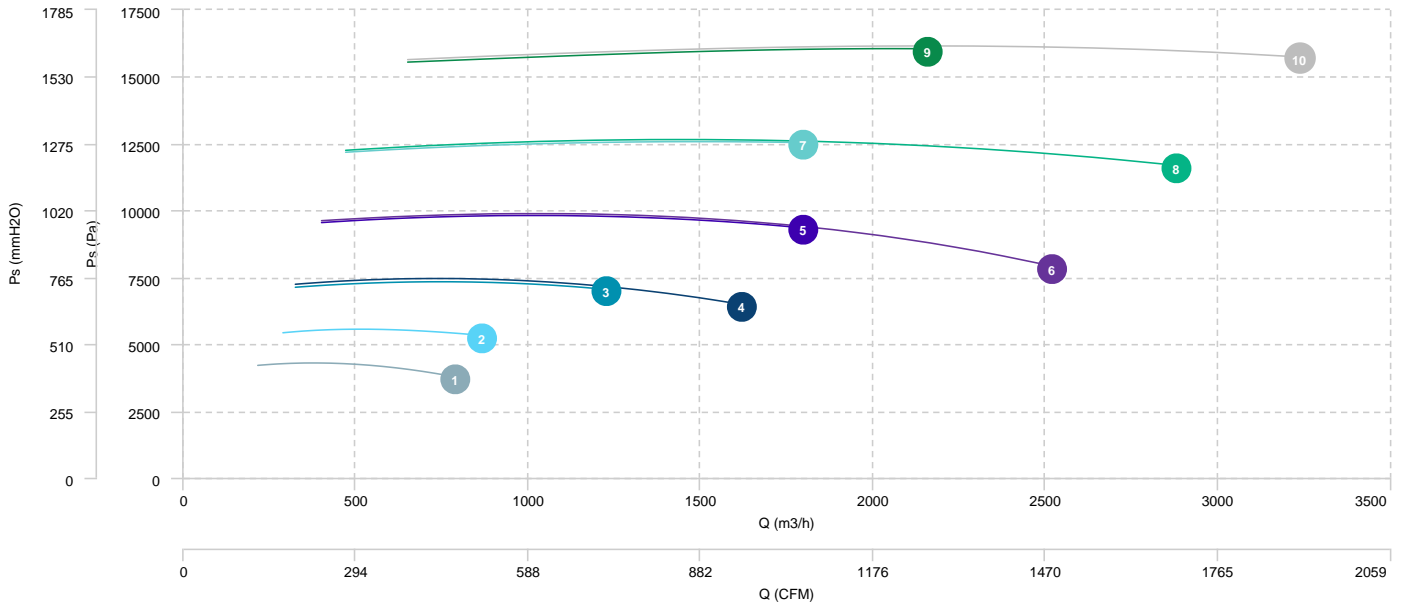




## CHARACTERISCTIC CURVE

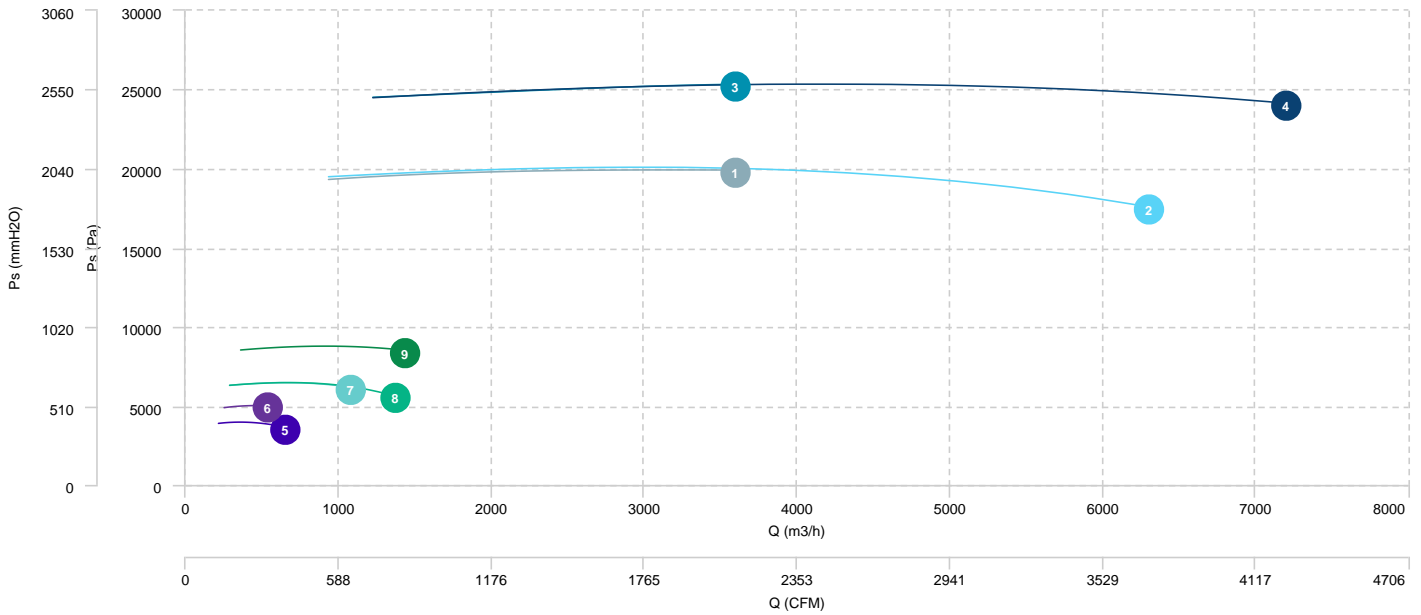
1	AAVC/N 500 T2 1,5kW	2	AAVC/N 560 T2 2,2kW	3	AAVC/N 630 T2 4kW	4	AAVC/N 630 T2 5,5kW
5	AAVC/N 710 T2 7,5kW	6	AAVC/N 710 T2 11kW	7	AAVC/N 800 T2 11kW	8	AAVC/N 800 T2 15kW
9	AAVC/N 900 T2 18,5kW	10	AAVC/N 900 T2 22kW				

### AIR FLOW - PRESSURE



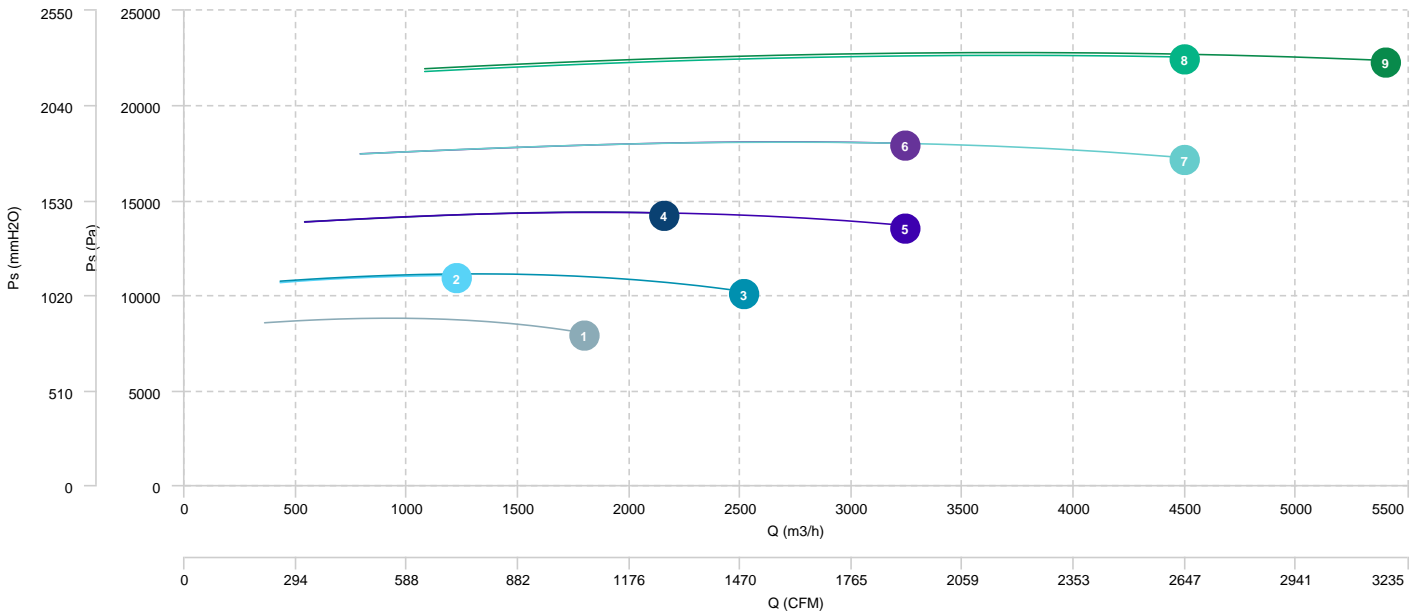
1	AAVC/N 1000 T2 37kW	2	AAVC/N 1000 T2 45kW	3	AAVC/N 1120 T2 55kW	4	AAVC/N 1120 T2 75kW
5	AAVC/NR 500 T2 1,1kW	6	AAVC/NR 560 T2 1,5kW	7	AAVC/NR 630 T2 3kW	8	AAVC/NR 630 T2 4kW
9	AAVC/NR 710 T2 5,5kW						

## AIR FLOW - PRESSURE



1	AAVC/NR 710 T2 7,5kW	2	AAVC/NR 800 T2 7,5kW	3	AAVC/NR 800 T2 11kW	4	AAVC/NR 900 T2 15kW
5	AAVC/NR 900 T2 18,5kW	6	AAVC/NR 1000 T2 30kW	7	AAVC/NR 1000 T2 37kW	8	AAVC/NR 1120 T2 45kW
9	AAVC/NR 1120 T2 55kW						

## AIR FLOW - PRESSURE



## Sound data

### Sound / 2 poles

		Sound power Lw dB (A)								
Model		63 Hz	125 Hz	250 Hz	500 Hz	1000 Hz	2000 Hz	4000 Hz	8000 Hz	Total
AAVC/N 500 T2 1,5kW	Inlet	92	59	74	82	90	91	90	82	83
AAVC/N 560 T2 2,2kW	Inlet	94	61	75	84	92	93	92	84	84
AAVC/N 630 T2 4kW	Inlet	98	65	80	88	96	97	96	88	89
AAVC/N 630 T2 5,5kW	Inlet	98	66	80	89	97	98	96	88	89
AAVC/N 710 T2 7,5kW	Inlet	102	70	84	93	101	102	100	92	93
AAVC/N 710 T2 11kW	Inlet	103	70	85	93	101	102	101	93	94
AAVC/N 800 T2 11kW	Inlet	106	73	88	96	104	105	104	96	97
AAVC/N 800 T2 15kW	Inlet	107	74	89	97	105	106	105	97	98
AAVC/N 900 T2 18,5kW	Inlet	109	76	91	99	107	108	107	99	100
AAVC/N 900 T2 22kW	Inlet	109	77	91	100	108	109	107	99	100
AAVC/N 1000 T2 37kW	Inlet	113	80	95	103	111	112	111	103	104
AAVC/N 1000 T2 45kW	Inlet	114	81	96	104	112	113	112	104	105
AAVC/N 1120 T2 55kW	Inlet	117	84	98	107	115	116	115	107	108
AAVC/N 1120 T2 75kW	Inlet	119	86	10	109	117	118	117	109	110
AAVC/NR 500 T2 1,1kW	Inlet	91	58	73	81	89	90	89	81	82
AAVC/NR 560 T2 1,5kW	Inlet	93	60	75	83	91	92	91	83	84
AAVC/NR 630 T2 3kW	Inlet	96	63	78	86	94	95	94	86	87
AAVC/NR 630 T2 4kW	Inlet	96	64	78	86	95	96	94	86	87
AAVC/NR 710 T2 5,5kW	Inlet	101	69	83	91	100	101	99	91	92
AAVC/NR 710 T2 7,5kW	Inlet	102	69	84	92	100	101	100	92	93
AAVC/NR 800 T2 7,5kW	Inlet	105	72	87	95	103	104	103	95	96
AAVC/NR 800 T2 11kW	Inlet	106	73	88	96	104	105	104	96	97
AAVC/NR 900 T2 15kW	Inlet	108	75	90	98	106	107	106	98	99
AAVC/NR 900 T2 18,5kW	Inlet	109	76	91	99	107	108	107	99	100
AAVC/NR 1000 T2 30kW	Inlet	112	79	94	102	110	111	110	102	103
AAVC/NR 1000 T2 37kW	Inlet	113	80	94	103	111	112	111	103	104
AAVC/NR 1120 T2 45kW	Inlet	116	83	98	106	114	115	114	106	107
AAVC/NR 1120 T2 55kW	Inlet	117	84	98	107	115	116	115	107	108